



US00D738330S

(12) **United States Design Patent**
Braswell, Jr. et al.

(10) **Patent No.:** **US D738,330 S**
(45) **Date of Patent:** **** Sep. 8, 2015**

(54) **ELECTROMAGNETIC FIELD APPARATUS**
(71) Applicants: **Allen Braswell, Jr.**, Clearwater, FL
(US); **Frank Caruso**, Golden, CO (US)
(72) Inventors: **Allen Braswell, Jr.**, Clearwater, FL
(US); **Frank Caruso**, Golden, CO (US)
(73) Assignee: **Applied Magentics, LLC**, Clearwater,
FL (US)

6,819,210 B2 * 11/2004 Boynton et al. 335/299
6,992,486 B2 1/2006 Srinivasan
D532,747 S * 11/2006 Ricci et al. D13/110
D551,346 S * 9/2007 Lenfant et al. D24/158
7,338,207 B2 * 3/2008 Gregerson et al. 378/198
D673,682 S 1/2013 Boudier
8,421,457 B2 * 4/2013 Jacobson et al. 324/309

(Continued)

(**) Term: **14 Years**

FOREIGN PATENT DOCUMENTS

WO WO 00/13749 3/2000
WO WO 01/15775 3/2001

(21) Appl. No.: **29/448,963**

OTHER PUBLICATIONS

(22) Filed: **Mar. 14, 2013**

Jacobson, J., Pico Tesla range magnetic fields tested in four site,
double blind clinical study for treatment of osteoarthritic knees,
Gazzetta Medica Italiana-Arch. Sci. Med., 2001, 160:1-21.

(51) **LOC (10) Cl.** **13-99**
(52) **U.S. Cl.**
USPC **D13/184; D24/158**

(Continued)

(58) **Field of Classification Search**
USPC D24/232, 231, 233, 234, 185, 158;
D13/110, 101, 117, 118, 122, 183, 184,
D13/199; 248/278.1, 324; 378/19, 38, 39,
378/146, 179, 193, 195, 208; 600/13, 9
CPC A61N 2/02
See application file for complete search history.

Primary Examiner — Derrick Holland
Assistant Examiner — Jennifer O King
(74) *Attorney, Agent, or Firm* — Kilpatrick Townsend &
Stockton LLP

(56) **References Cited**

(57) **CLAIM**
We claim the ornamental design for an electromagnetic field
apparatus, as shown and described.

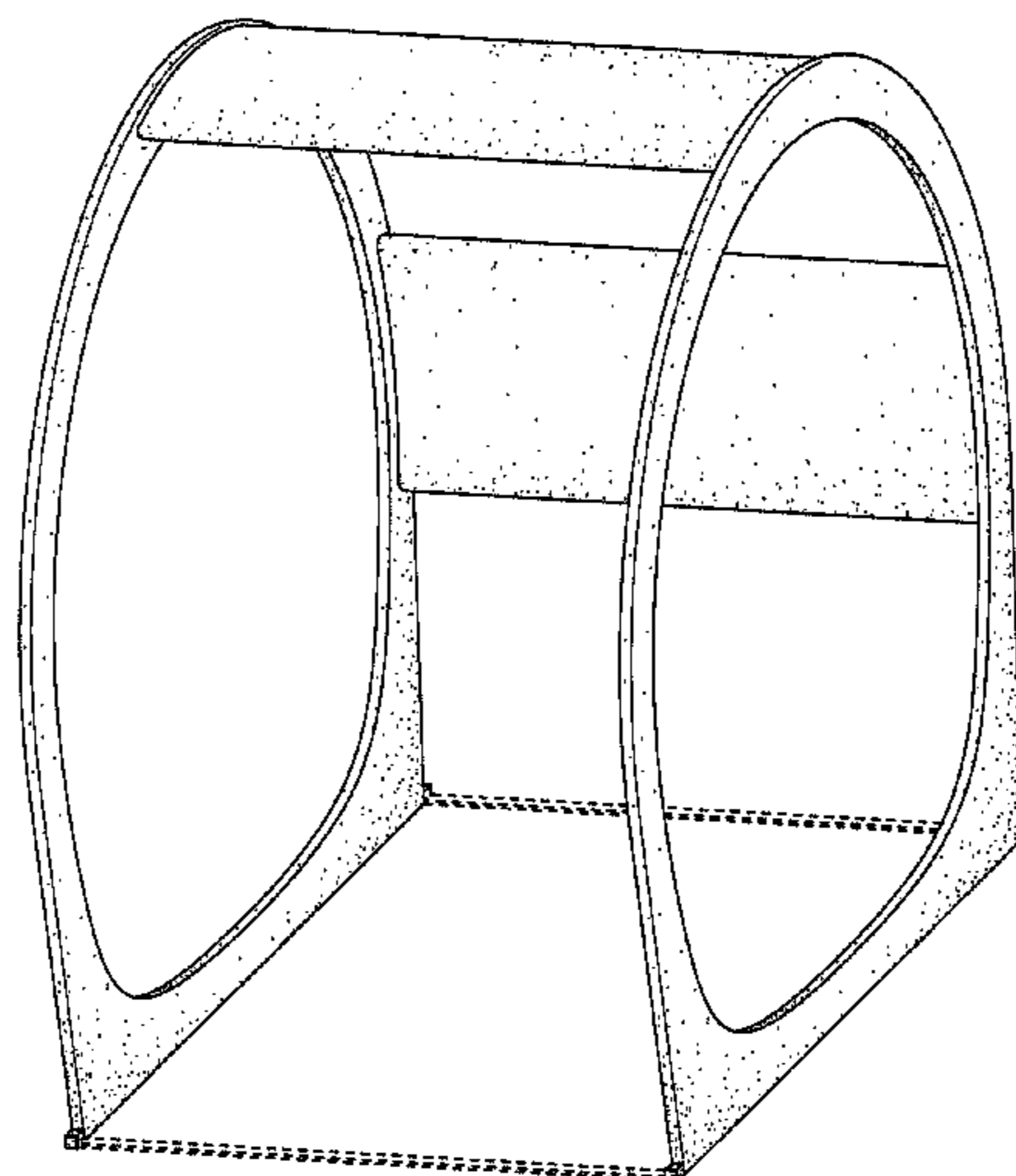
U.S. PATENT DOCUMENTS

DESCRIPTION

2,508,705 A * 5/1950 Beller et al. 252/62.54
D211,022 S * 5/1968 Kahn D13/183
3,979,566 A * 9/1976 Willy 381/401
4,760,336 A * 7/1988 Conolly 324/309
D323,386 S 1/1992 Perusek
5,386,191 A 1/1995 McCarten
5,426,685 A 6/1995 Pellegrino et al.
D380,832 S 7/1997 Isshiki et al.
6,004,257 A 12/1999 Jacobson
6,099,459 A 8/2000 Jacobson
6,458,071 B1 10/2002 Jacobson
D474,277 S 5/2003 Juni
6,733,434 B2 5/2004 Jacobson

FIG. 1 is a top, front and side perspective view of an electro-
magnetic field apparatus showing our new design;
FIG. 2 is a top, rear and side perspective view thereof;
FIG. 3 is a left side elevation view thereof; the right side
elevational view is a mirror image of the left side elevational
view; and,
FIG. 4 is a front elevation view thereof.
The broken lines shown represent unclaimed subject matter
and form no part of the claimed design.

1 Claim, 4 Drawing Sheets



(56)

References Cited

U.S. PATENT DOCUMENTS

D686,324 S * 7/2013 Davis et al. D24/158
D689,612 S * 9/2013 Braswell et al. D24/158
D701,960 S * 4/2014 Braswell et al. D24/158
2007/0276440 A1 11/2007 Jacobson
2009/0082612 A1* 3/2009 Litovitz 600/13

2010/0072996 A1 3/2010 Jacobson et al.
2013/0225908 A1* 8/2013 Jacobson et al. 600/13

OTHER PUBLICATIONS

U.S. Appl. No. 29/397,808, filed Jul. 21, 2011, Braswell, Jr.

* cited by examiner

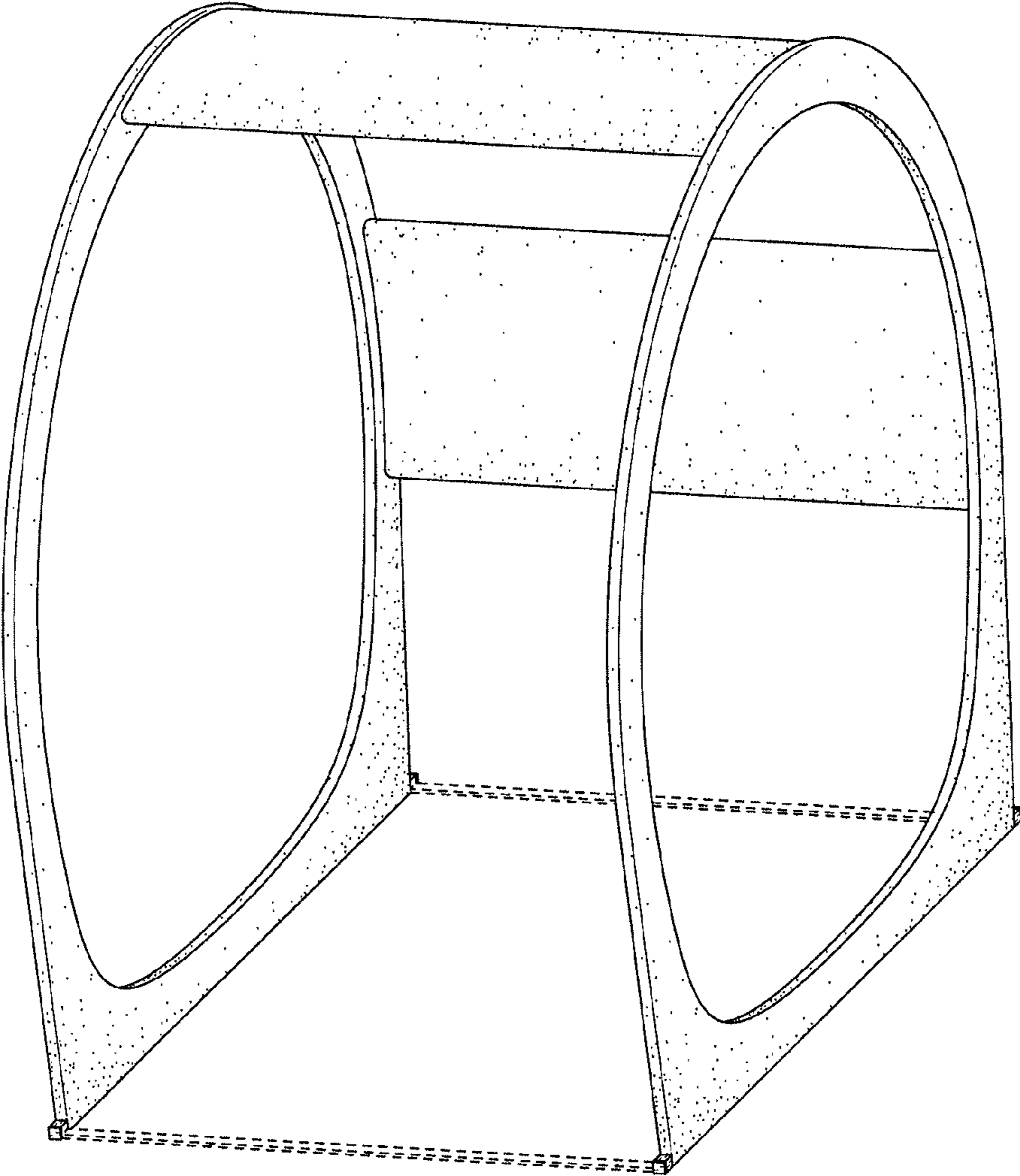


FIG. 1

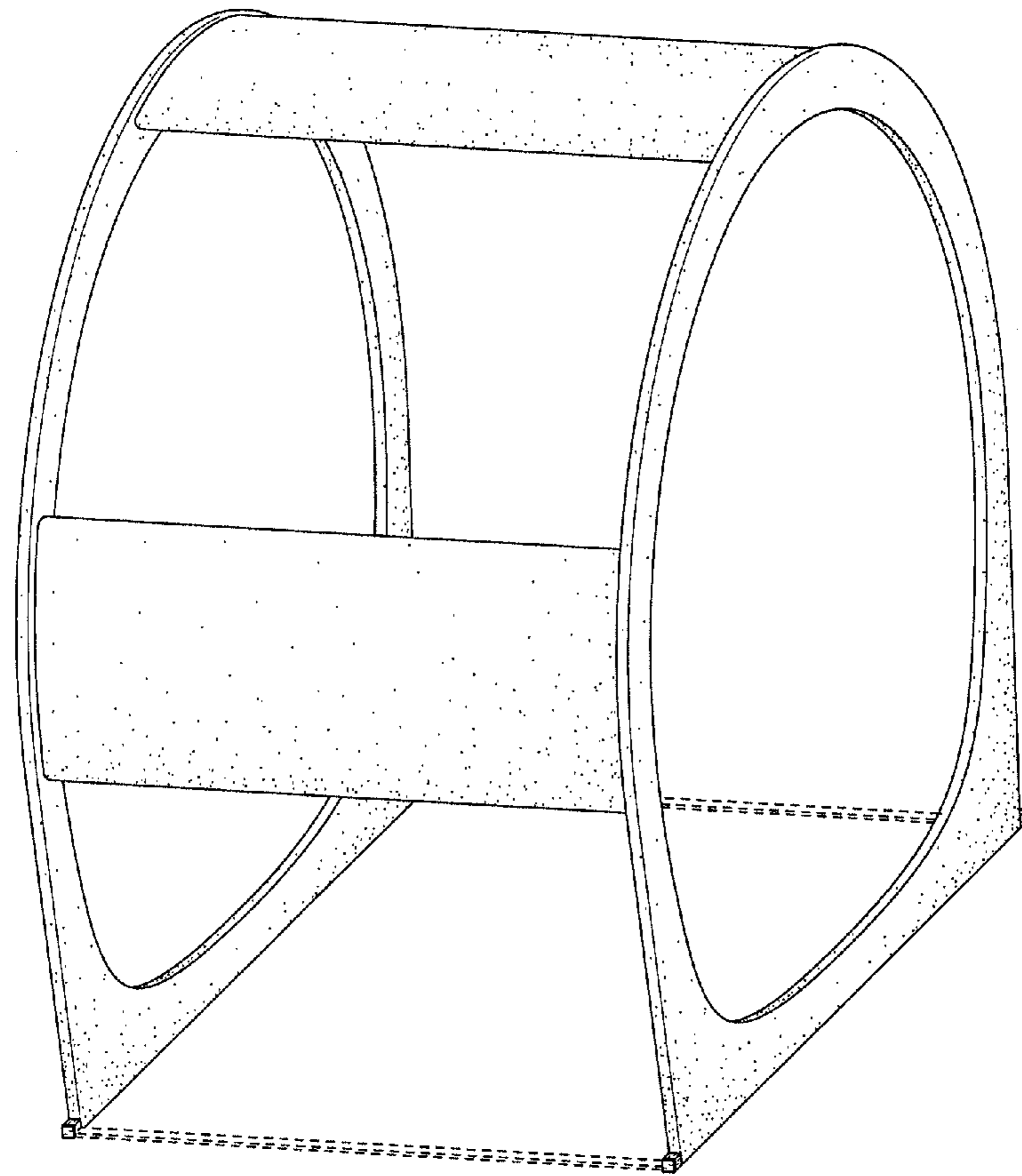


FIG. 2

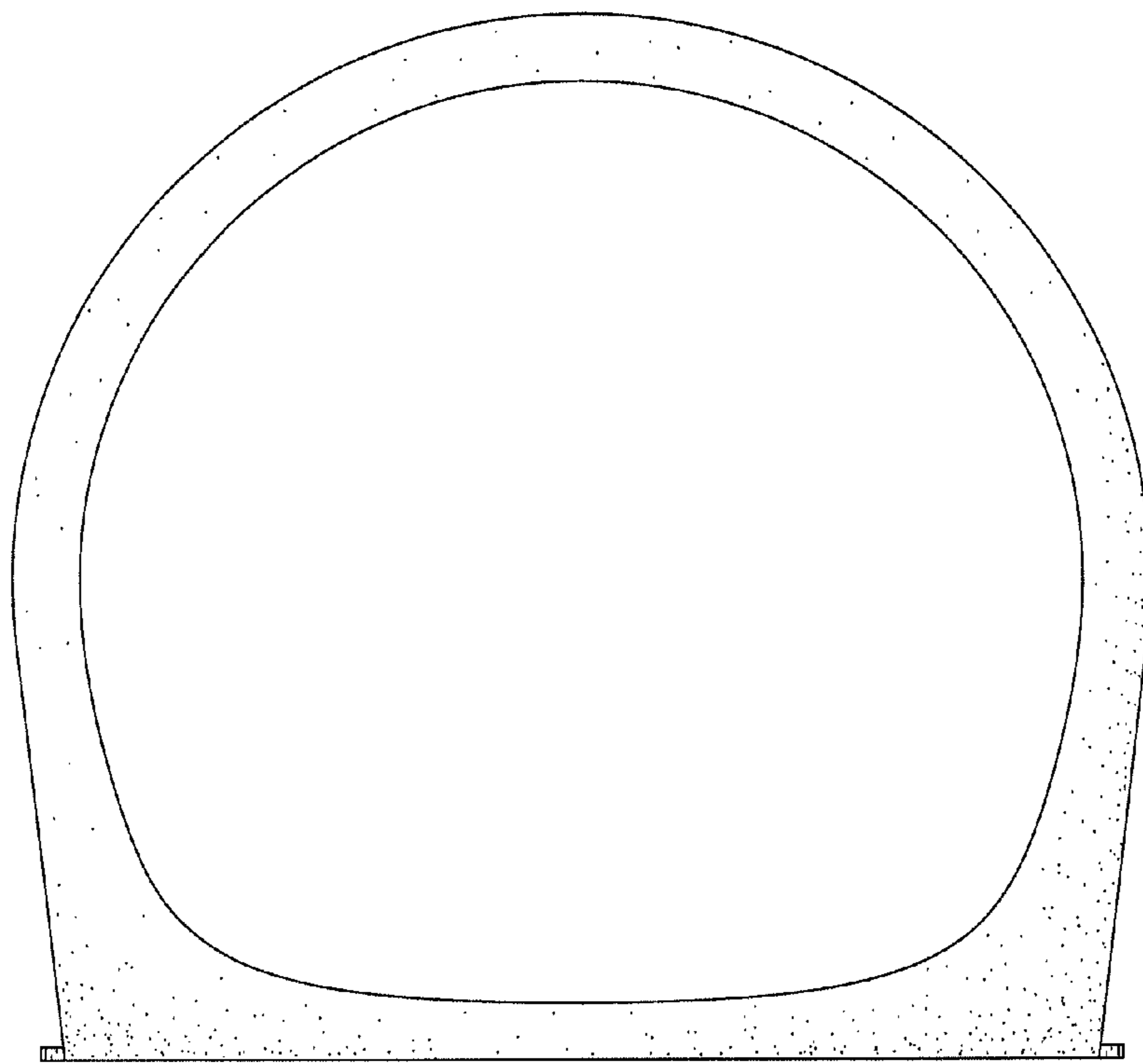


FIG. 3

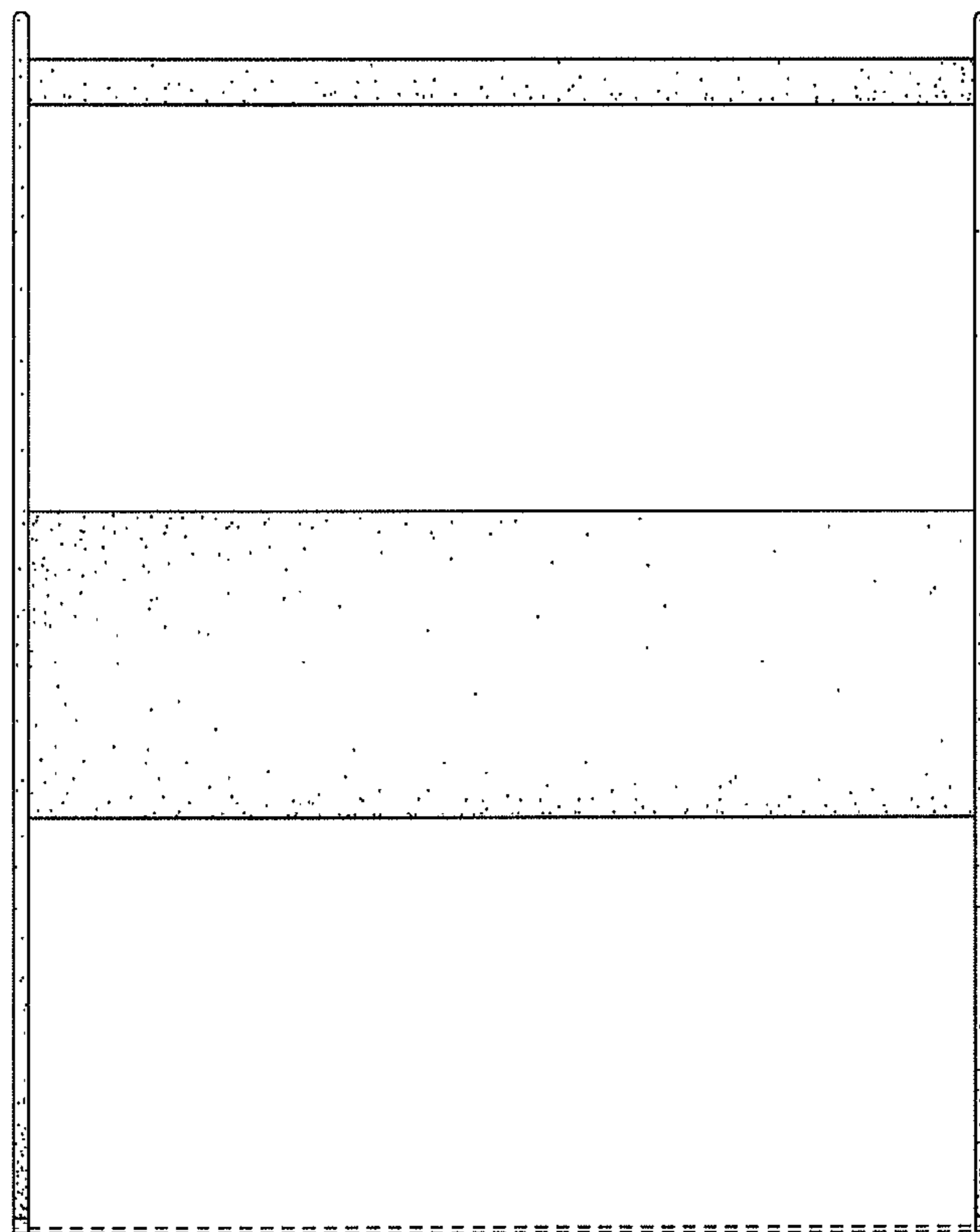


FIG. 4