



US00D738325S

(12) **United States Design Patent**  
**Bulla**

(10) **Patent No.:** **US D738,325 S**  
(45) **Date of Patent:** **\*\* Sep. 8, 2015**

(54) **WIRE GUIDE**

(71) Applicant: **Prettl Electric Corporation**, Greenville, SC (US)

(72) Inventor: **Manfred Christian Bulla**, Greenville, SC (US)

(73) Assignee: **PRETTL ELECTRIC CORPORATION**, Greenville, SC (US)

(\*\*) Term: **14 Years**

(21) Appl. No.: **29/481,676**

(22) Filed: **Feb. 9, 2014**

(51) **LOC (10) Cl.** ..... **13-03**

(52) **U.S. Cl.**  
USPC ..... **D13/173; D8/354**

(58) **Field of Classification Search**  
USPC ..... D13/118, 122, 154, 173, 184, 199;  
D8/354, 364, 382  
CPC ..... B60R 13/0206; B23H 7/105; H01R  
13/6589; H02G 1/06; H02G 1/08; H02G  
2200/10; H02G 3/16; H02G 3/08; H05K  
5/0247; H05K 5/03  
See application file for complete search history.

(56) **References Cited**

**U.S. PATENT DOCUMENTS**

D260,481 S \* 9/1981 Norcross et al. .... D8/394  
5,029,817 A \* 7/1991 Tamm ..... 254/134.3 R

6,624,376 B1 \* 9/2003 Kushmaul et al. .... 219/69.12  
6,812,402 B1 \* 11/2004 Amerson et al. .... 174/541  
D558,039 S \* 12/2007 Skinner ..... D8/382  
7,604,220 B1 \* 10/2009 Tomlinson ..... 254/134.3 FT  
7,952,030 B2 \* 5/2011 Ho et al. .... 174/136  
8,033,863 B2 \* 10/2011 Gutter et al. .... 439/620.07  
8,137,115 B1 \* 3/2012 Chou et al. .... 439/76.1  
8,944,733 B2 \* 2/2015 Podsadny et al. .... 411/45  
2010/0271763 A1 \* 10/2010 Kodama et al. .... 361/679.01  
2015/0101837 A1 \* 4/2015 Evangelista et al. .... 174/50

\* cited by examiner

*Primary Examiner* — Selina Sikder

(74) *Attorney, Agent, or Firm* — McNair Law Firm, P.A.;  
Douglas L. Lineberry

(57) **CLAIM**

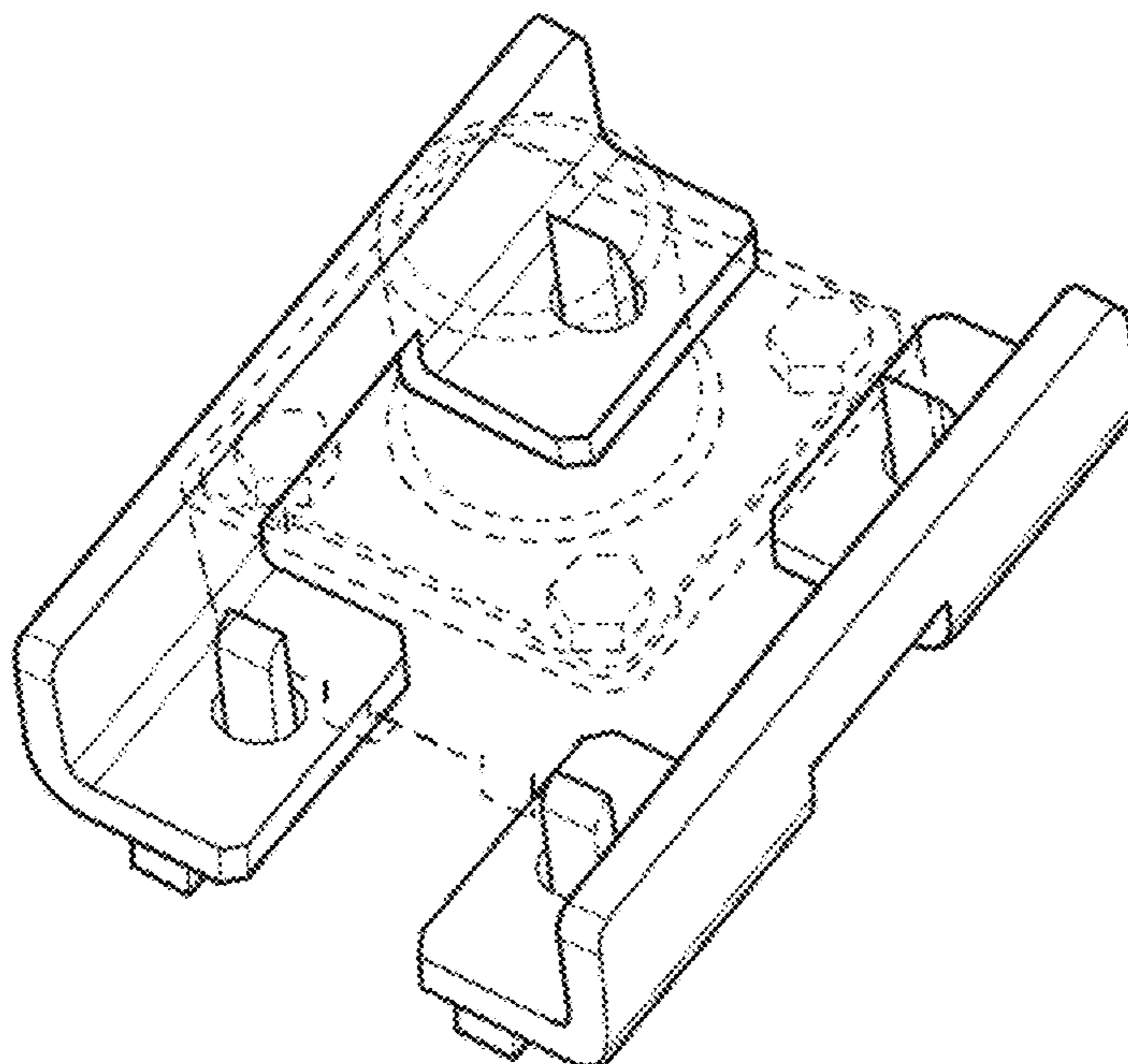
The ornamental design for a wire guide, as shown and described.

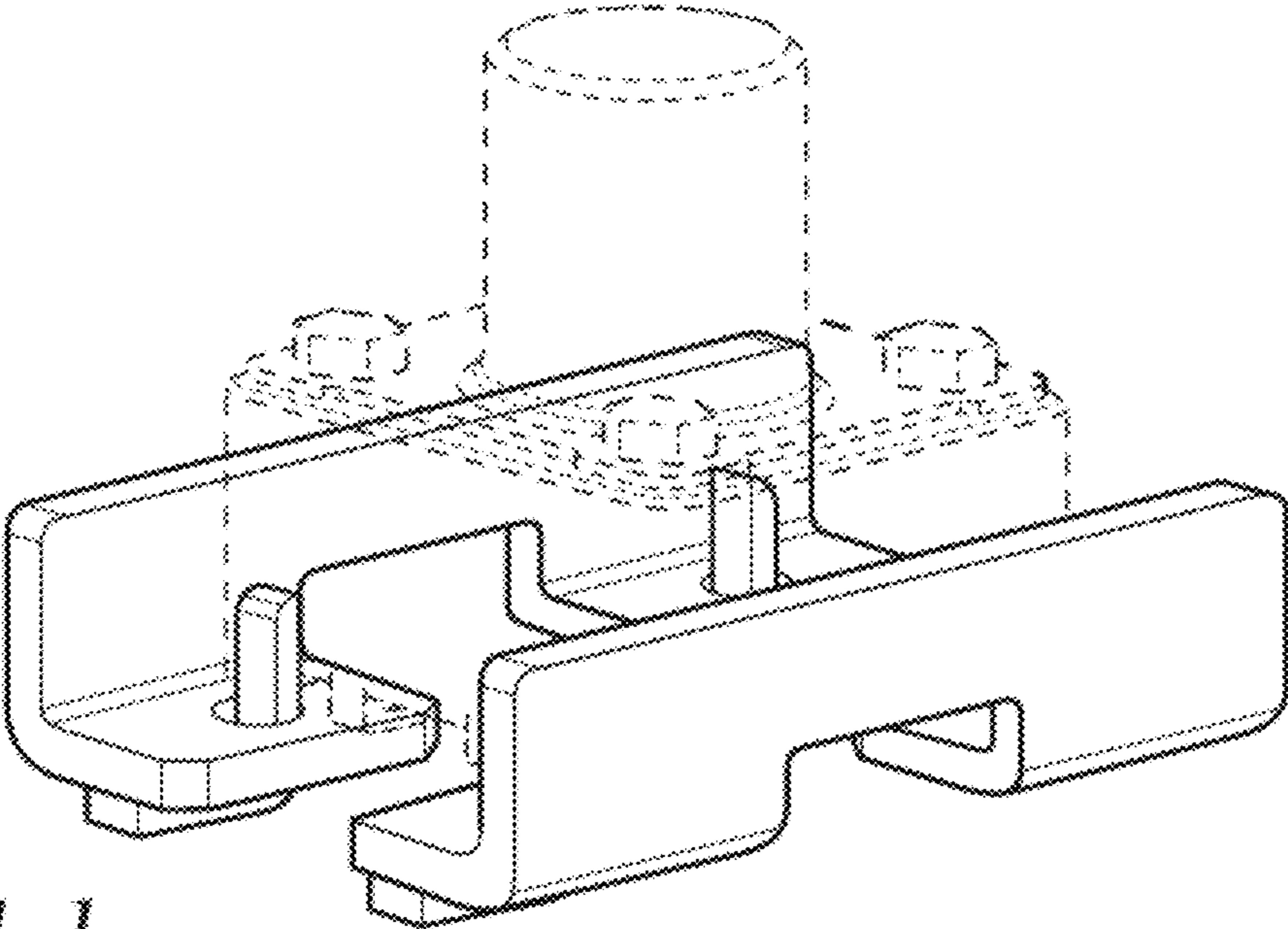
**DESCRIPTION**

FIG. 1 is a side perspective view of the wire guide showing my new design;  
FIG. 2 is a bottom plan view thereof;  
FIG. 3 is a top perspective view thereof;  
FIG. 4 is a top plan view thereof;  
FIG. 5 is a side elevation view thereof; and,  
FIG. 6 is a front elevation view.

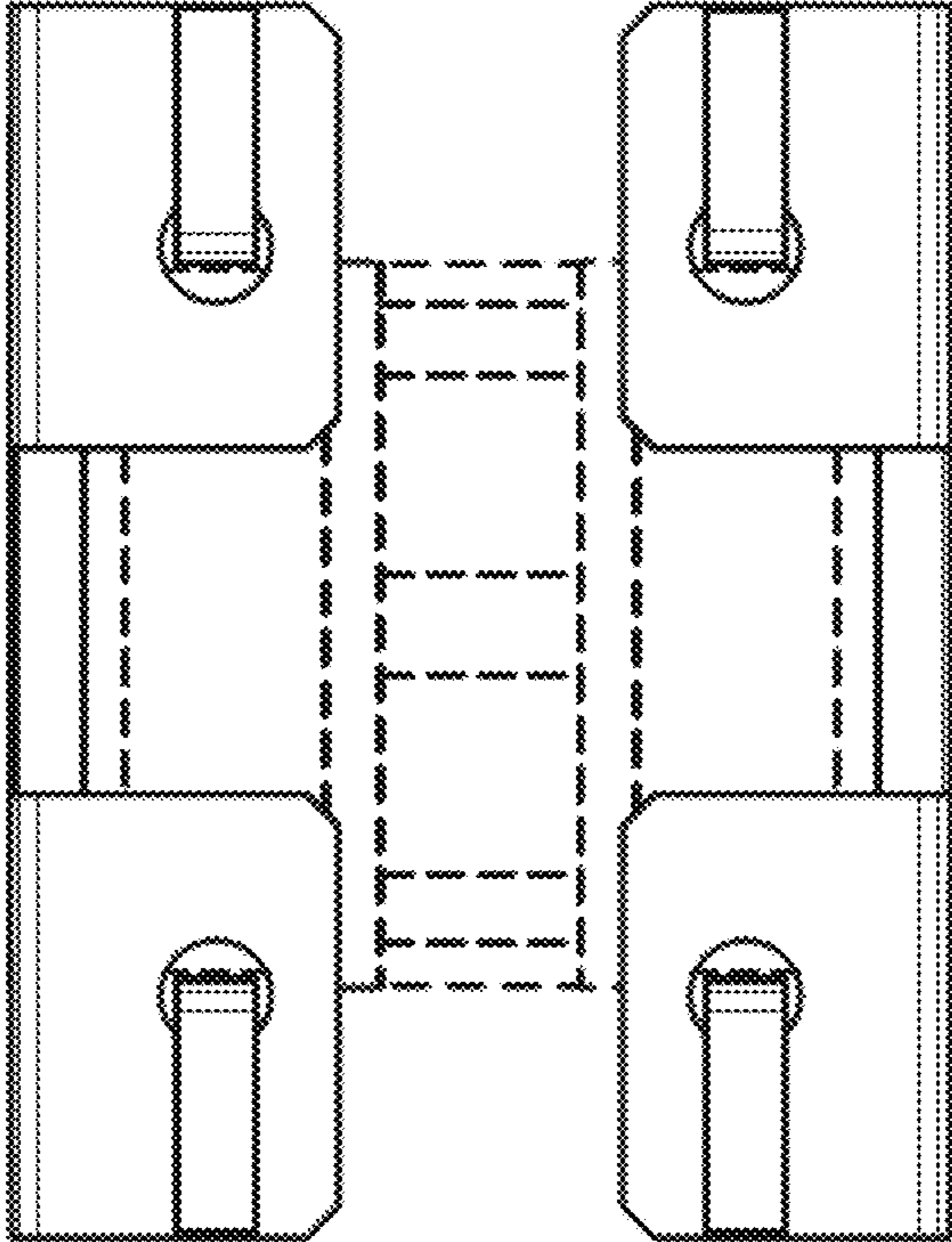
The broken line disclosures shown in the Figures of the wire guide are for illustrative purposes only and form no part of the claimed design.

**1 Claim, 3 Drawing Sheets**

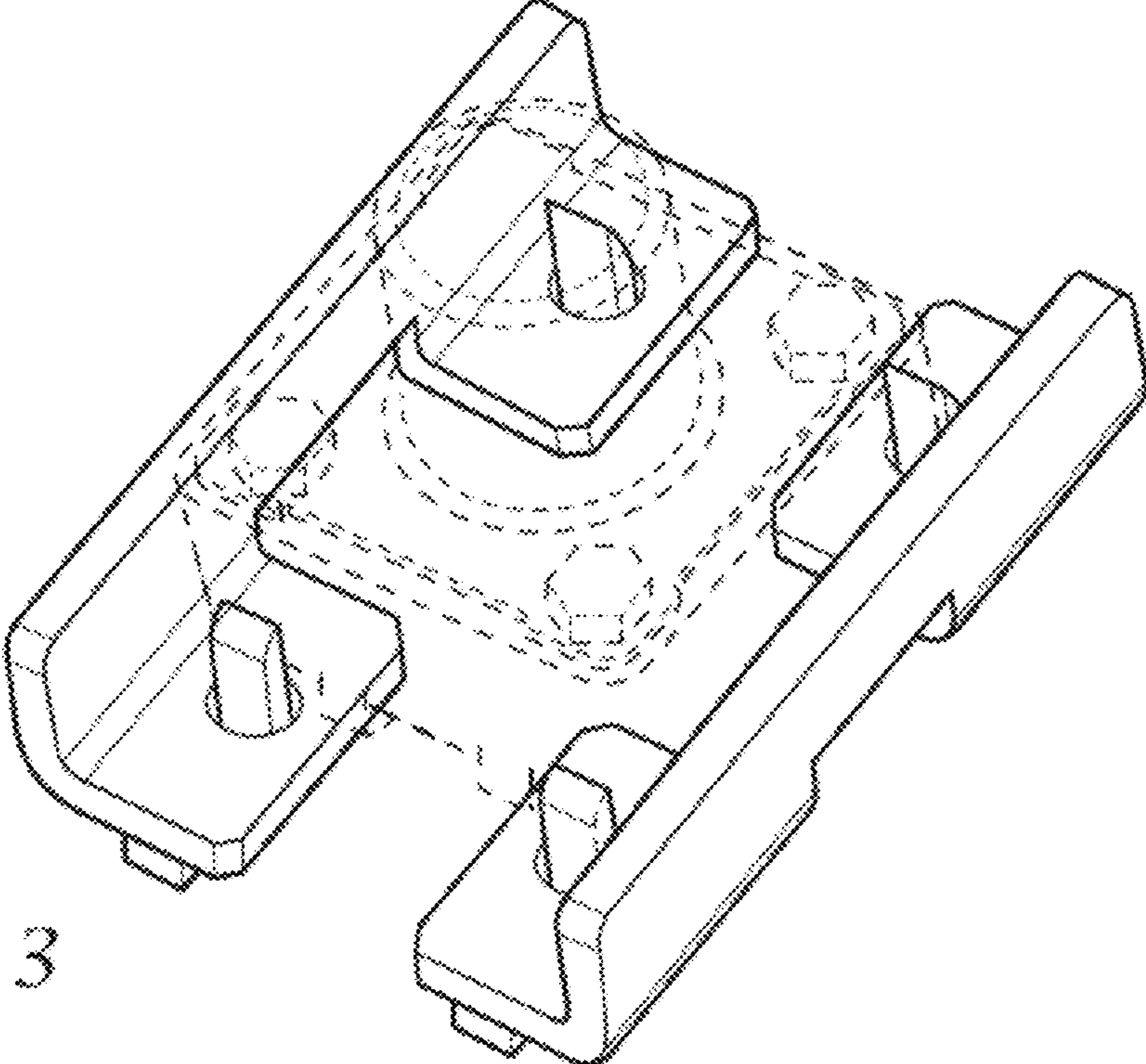




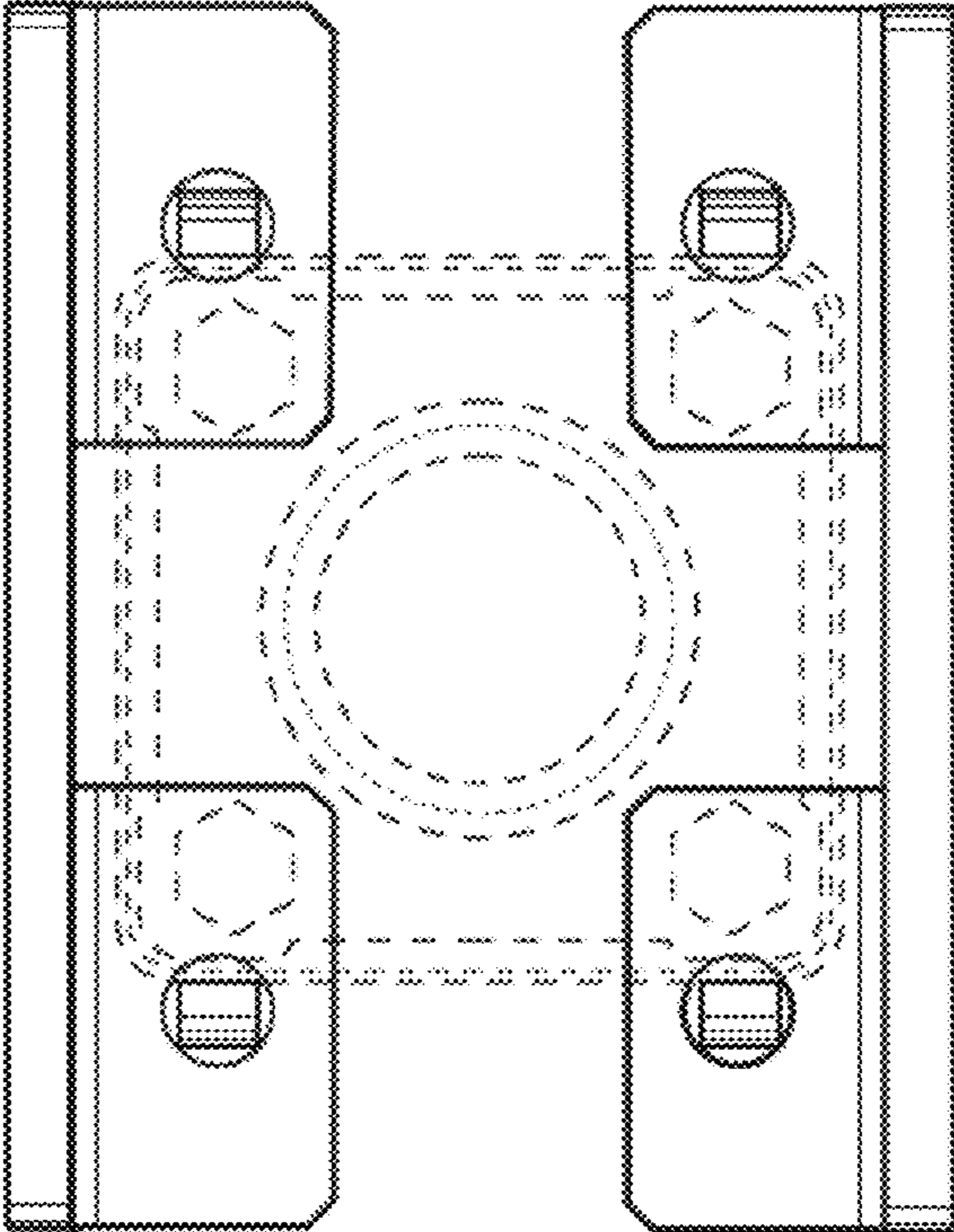
*Fig. 1*



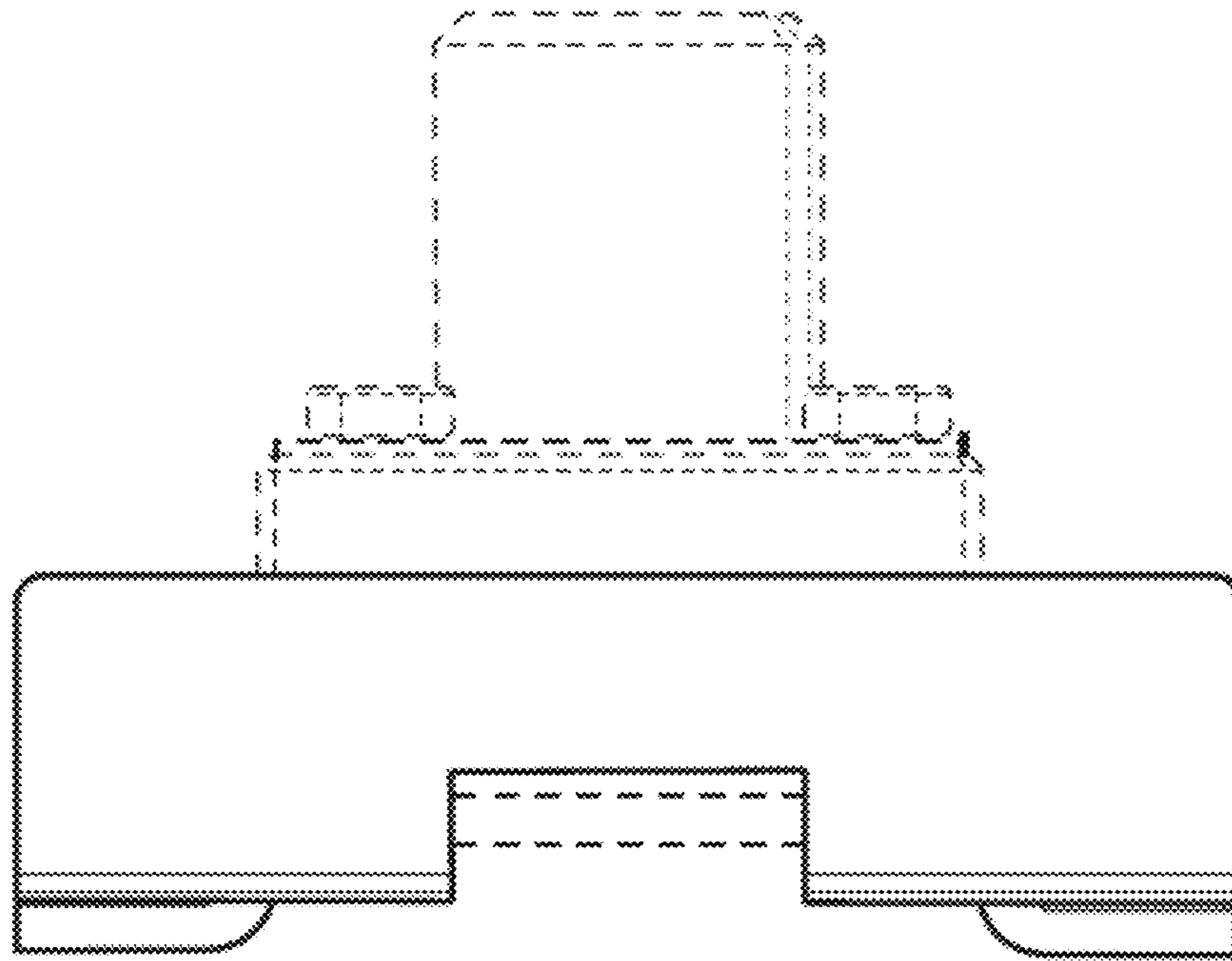
*Fig. 2*



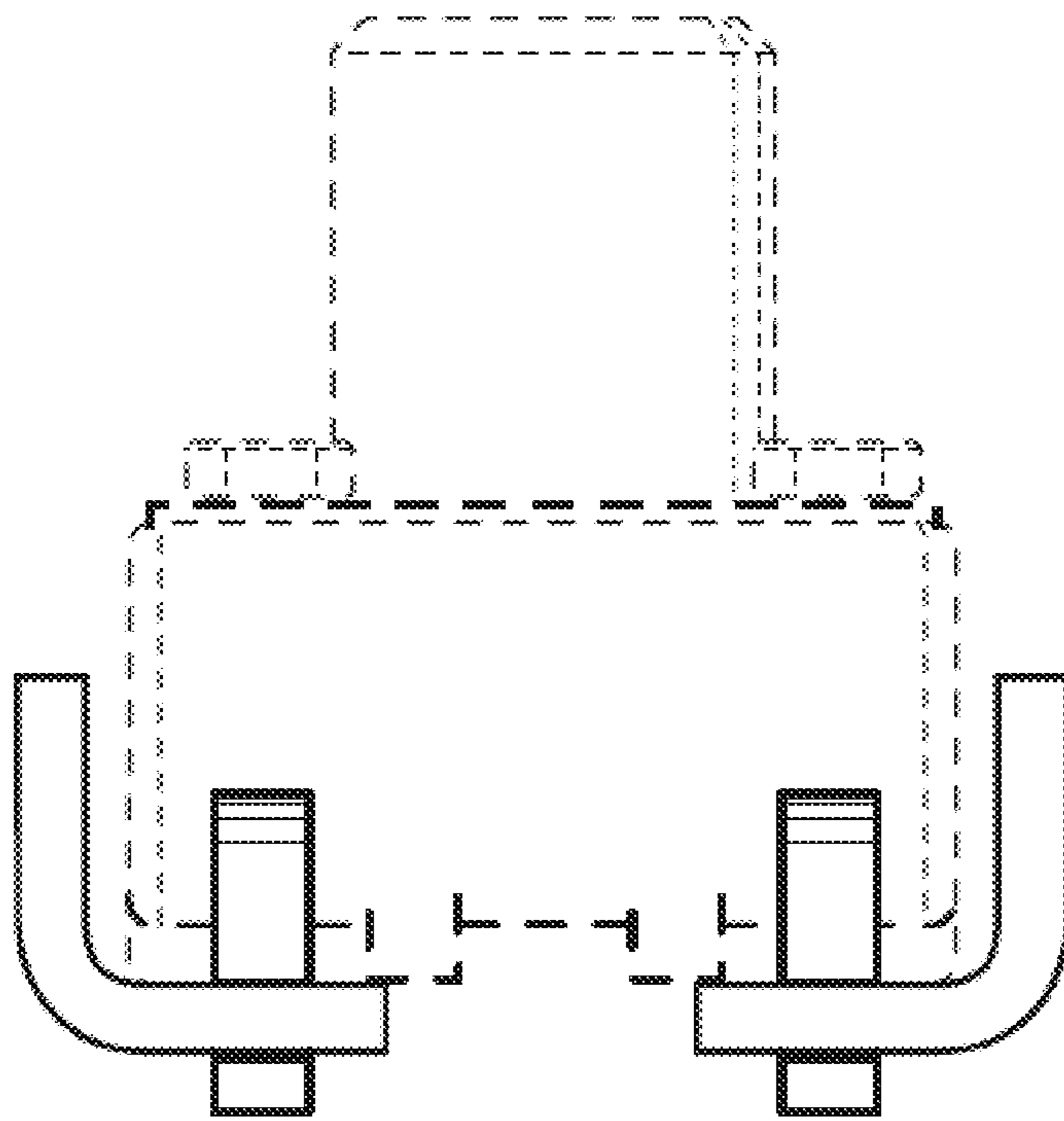
*Fig. 3*



*Fig. 4*



*Fig. 5*



*Fig. 6*