



US00D738323S

(12) **United States Design Patent**  
**Zheng et al.**

(10) **Patent No.:** **US D738,323 S**

(45) **Date of Patent:** **\*\* Sep. 8, 2015**

(54) **CAM SWITCH**

(71) Applicant: **ABB Oy**, Helsinki (FI)

(72) Inventors: **Qifeng Zheng**, Quanzhou (CN); **Qishun Guo**, Xiamen SEZ (CN); **Xinde Lin**, Wenling (CN); **Jiejun Lu**, Xiamen SEZ (CN); **Shujing Ye**, Xiamen SEZ (CN)

(73) Assignee: **ABB OY**, Helsinki (FI)

(\*\*) Term: **14 Years**

(21) Appl. No.: **29/443,176**

(22) Filed: **Jan. 14, 2013**

(30) **Foreign Application Priority Data**

Jul. 16, 2012 (CN) ..... 2012 3 0328647

(51) **LOC (10) Cl.** ..... **13-03**

(52) **U.S. Cl.**  
USPC ..... **D13/169**; D13/158

(58) **Field of Classification Search**  
USPC ..... D13/158, 160, 162, 169, 178; 200/5 R, 200/16 A, 6 B, 558, 559, 565, 573, 574, 307, 200/316, 329, 330, 331  
CPC ..... H01H 1/02; H01H 1/08; H01H 1/20; H01H 3/20; H01H 3/40; H01H 3/42; H01H 9/22; H01H 9/282; H01H 19/00; H01H 19/035; H01H 19/14; H01H 19/6355; H01H 19/64

See application file for complete search history.

(56) **References Cited**

U.S. PATENT DOCUMENTS

4,335,288	A *	6/1982	Ludwig et al. ....	200/307
4,713,498	A *	12/1987	Ludwig et al. ....	200/5 R
4,851,620	A *	7/1989	Schaeffer .....	200/14
4,861,949	A *	8/1989	Bortolloni et al. ....	200/5 R
D393,626	S *	4/1998	Siat .....	D13/158
6,072,128	A *	6/2000	Ansorge et al. ....	200/5 R
6,423,912	B1 *	7/2002	Arenz et al. ....	200/43.08
6,576,851	B1 *	6/2003	Barlian et al. ....	200/5 R
6,969,813	B1 *	11/2005	Winslett et al. ....	200/330
7,368,675	B2 *	5/2008	Ishido et al. ....	200/331
7,514,645	B2 *	4/2009	Shahmuradyan .....	200/564
7,870,810	B2 *	1/2011	Da Dalt et al. ....	74/553
D658,597	S *	5/2012	Kuwae et al. ....	D13/169
2012/0080298	A1 *	4/2012	Lee .....	200/332.1
2014/0326585	A1 *	11/2014	Reinhart et al. ....	200/43.11

\* cited by examiner

*Primary Examiner* — Selina Sikder

(74) *Attorney, Agent, or Firm* — Buchanan Ingersoll & Rooney PC

(57) **CLAIM**

The ornamental design for a cam switch, as shown and described.

**DESCRIPTION**

FIG. 1 is a perspective view of a cam switch showing our new design.

FIG. 2 is a front elevational view thereof.

FIG. 3 is a rear elevational view thereof.

FIG. 4 is a left side elevational view thereof.

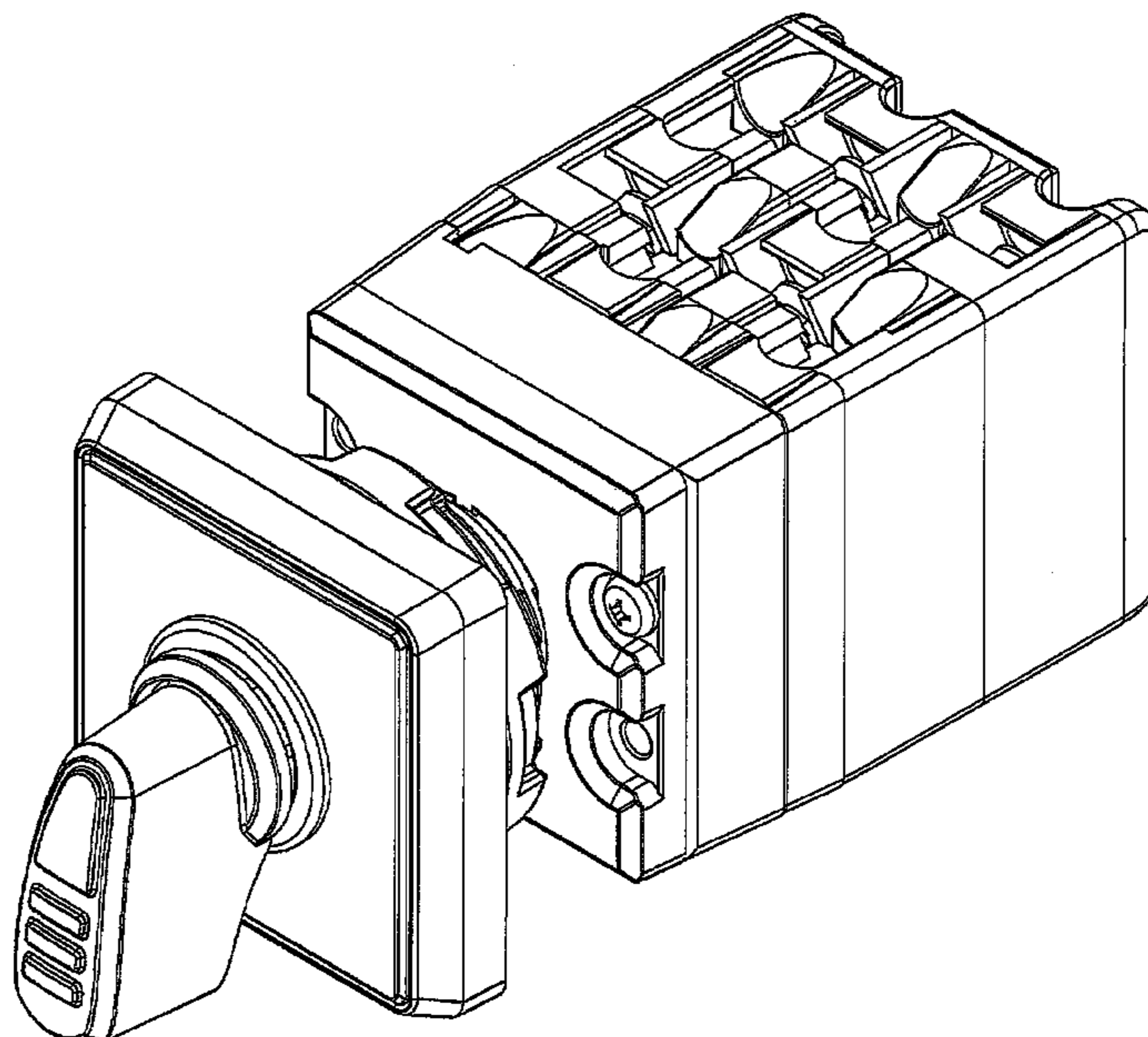
FIG. 5 is a right side elevational view thereof.

FIG. 6 is a top plan view thereof; and,

FIG. 7 is a bottom plan view thereof.

The broken line showing of the cam switch is for the purpose of illustrating environmental structure and forms no part of the claimed design.

**1 Claim, 6 Drawing Sheets**



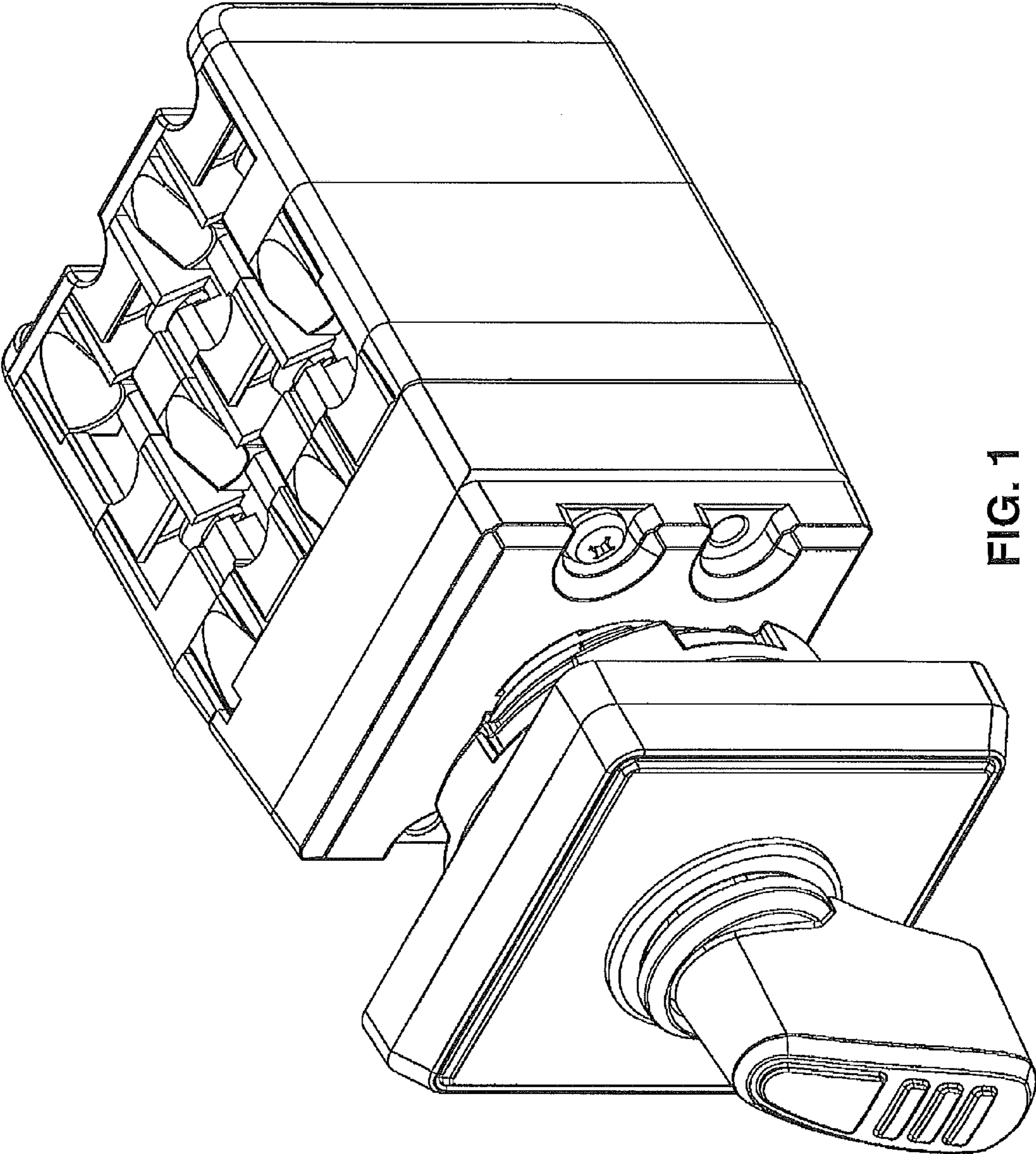
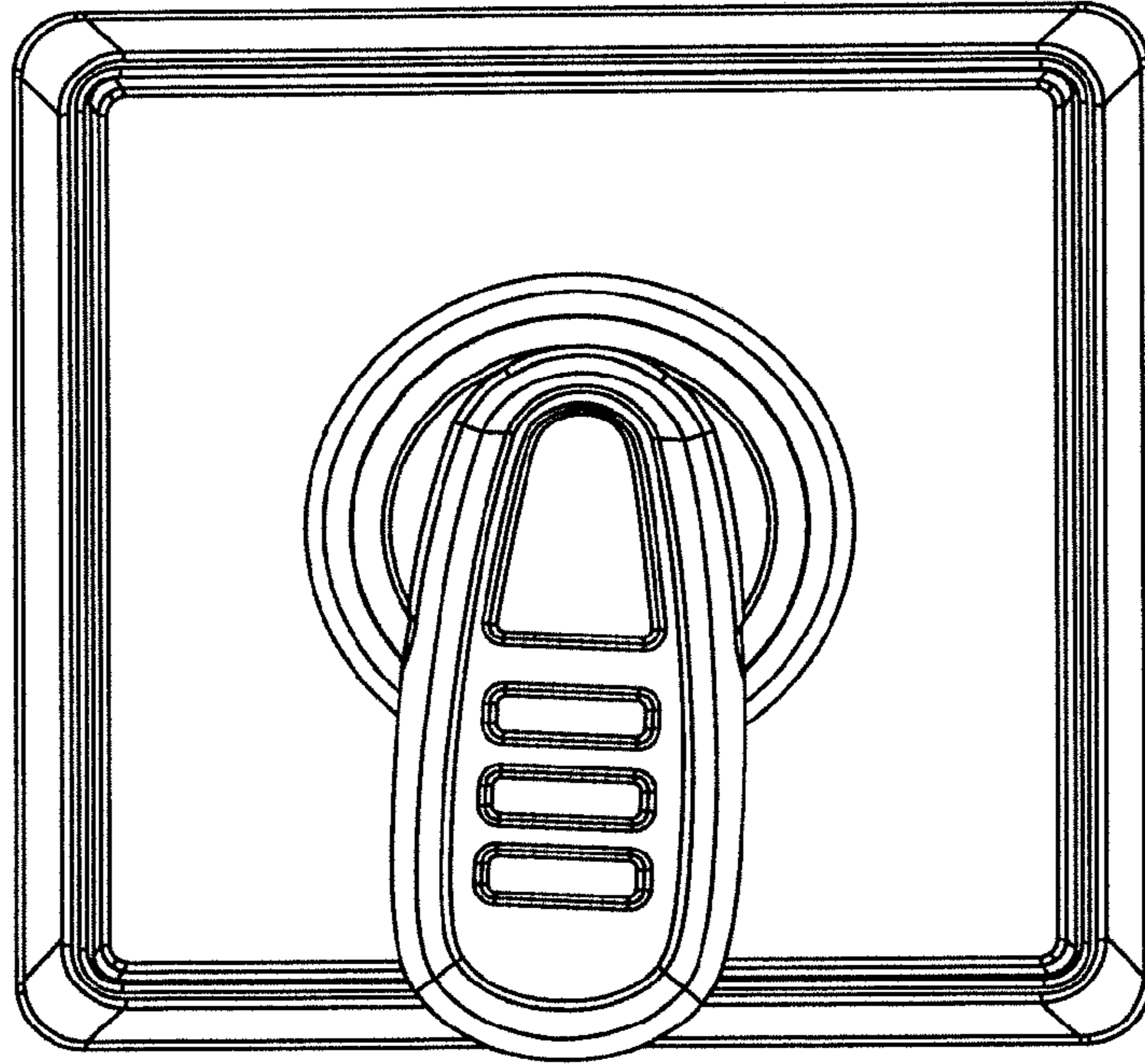
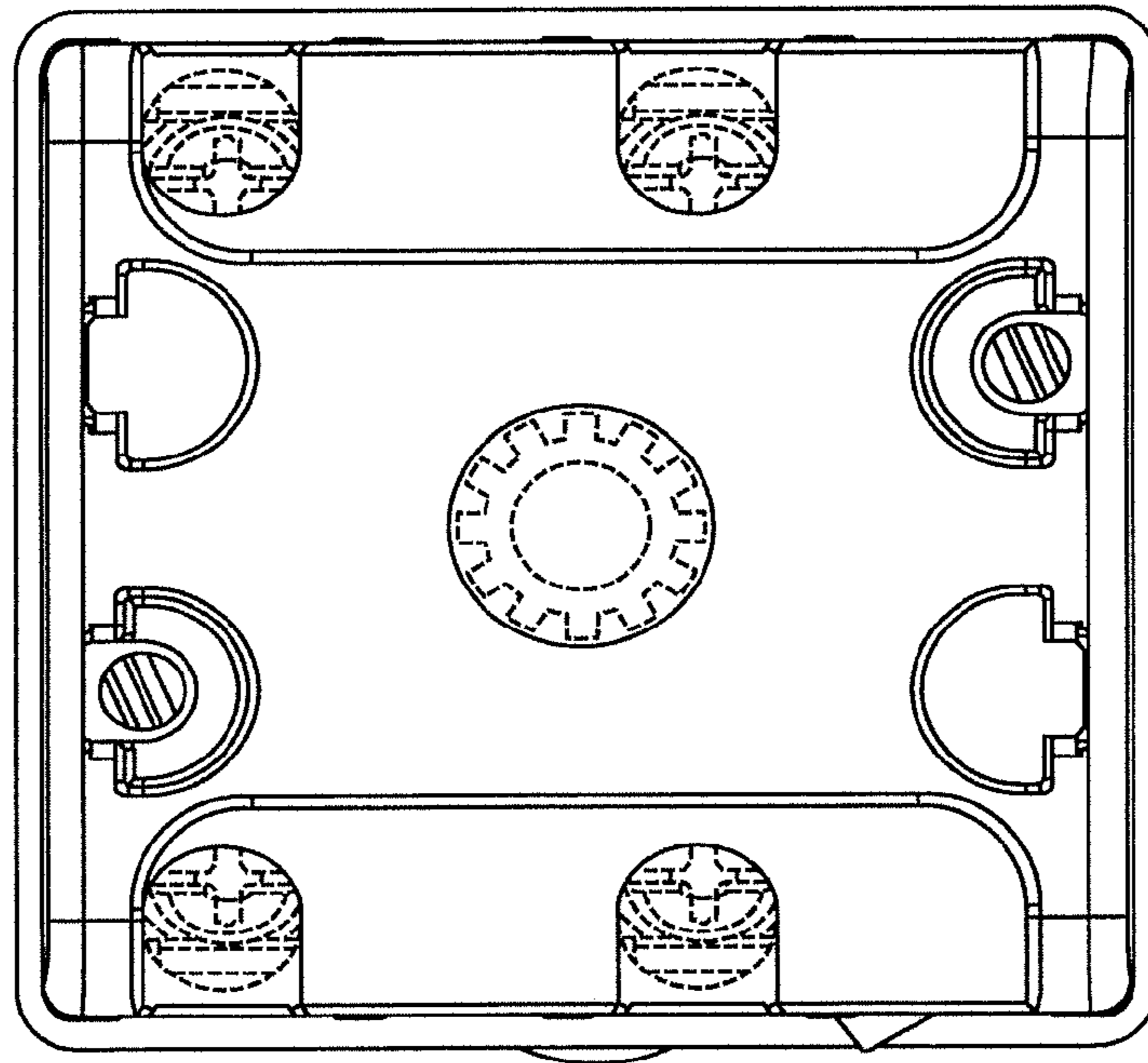


FIG. 1



**FIG. 2**



**FIG. 3**



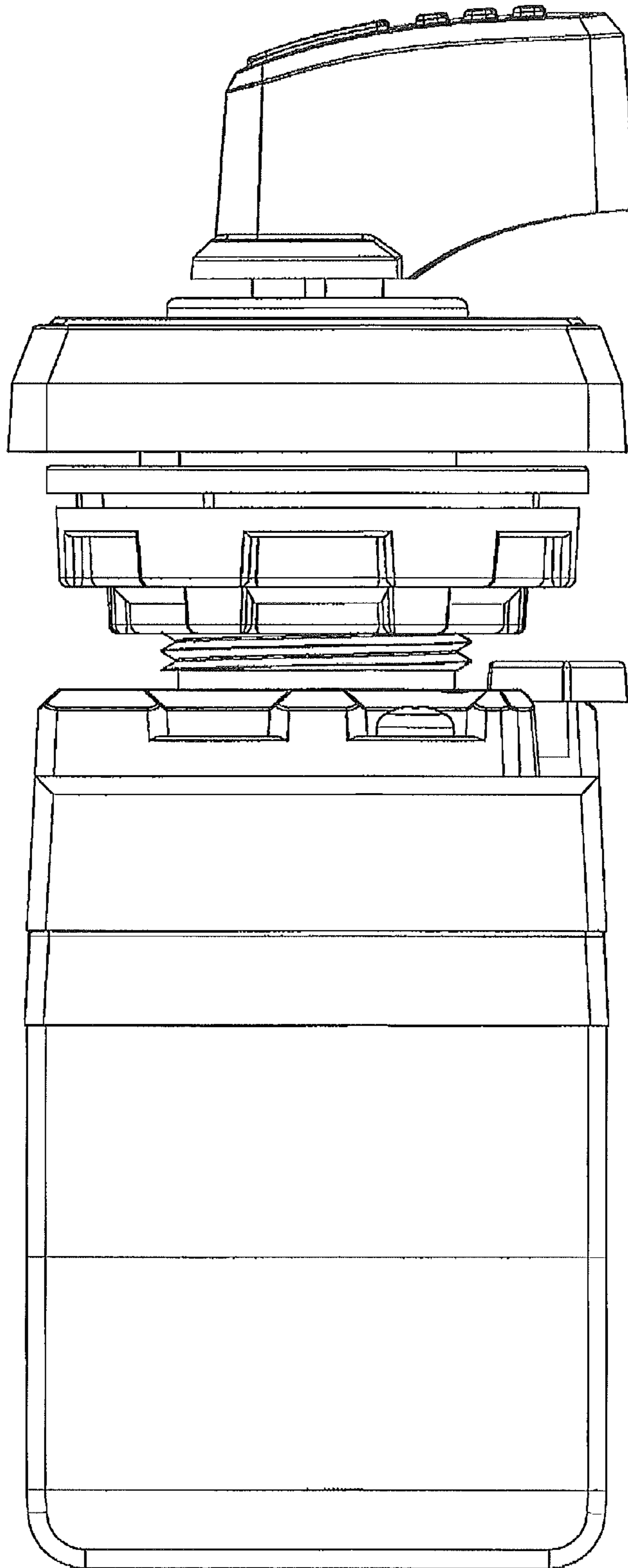


FIG. 4

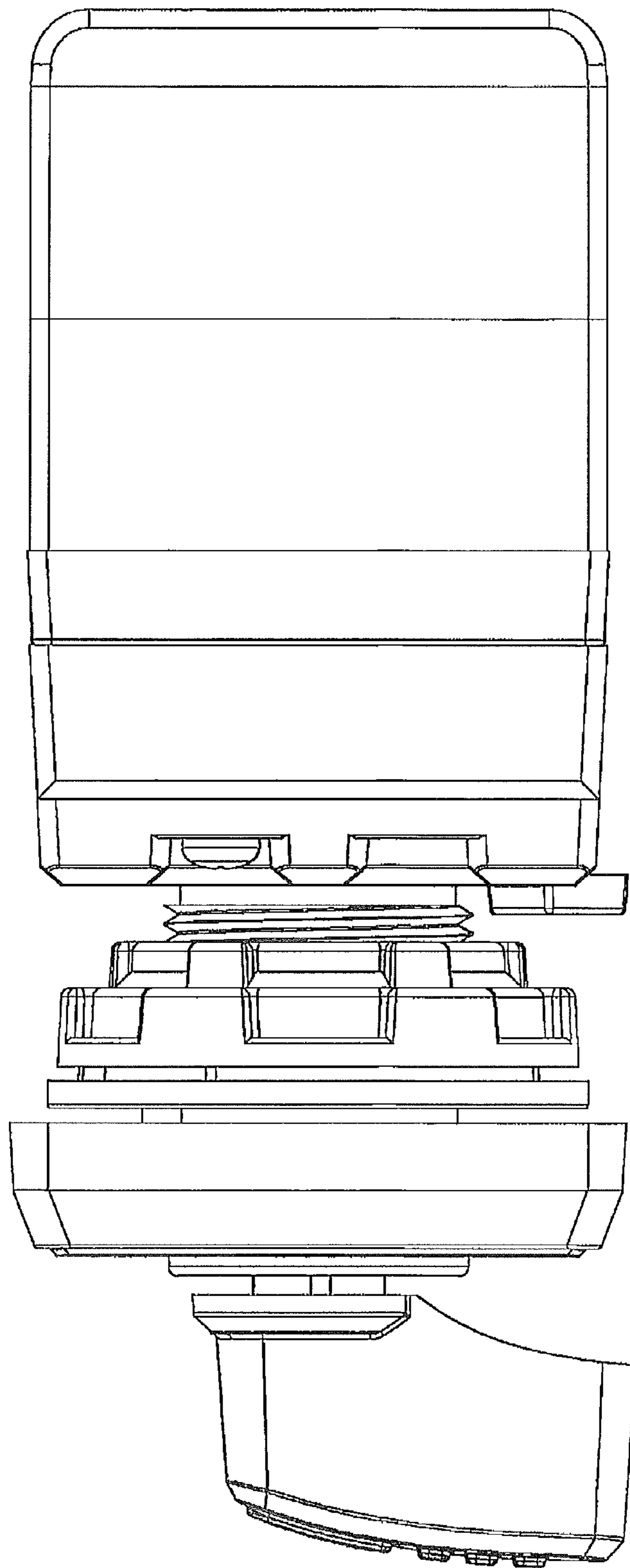


FIG. 5

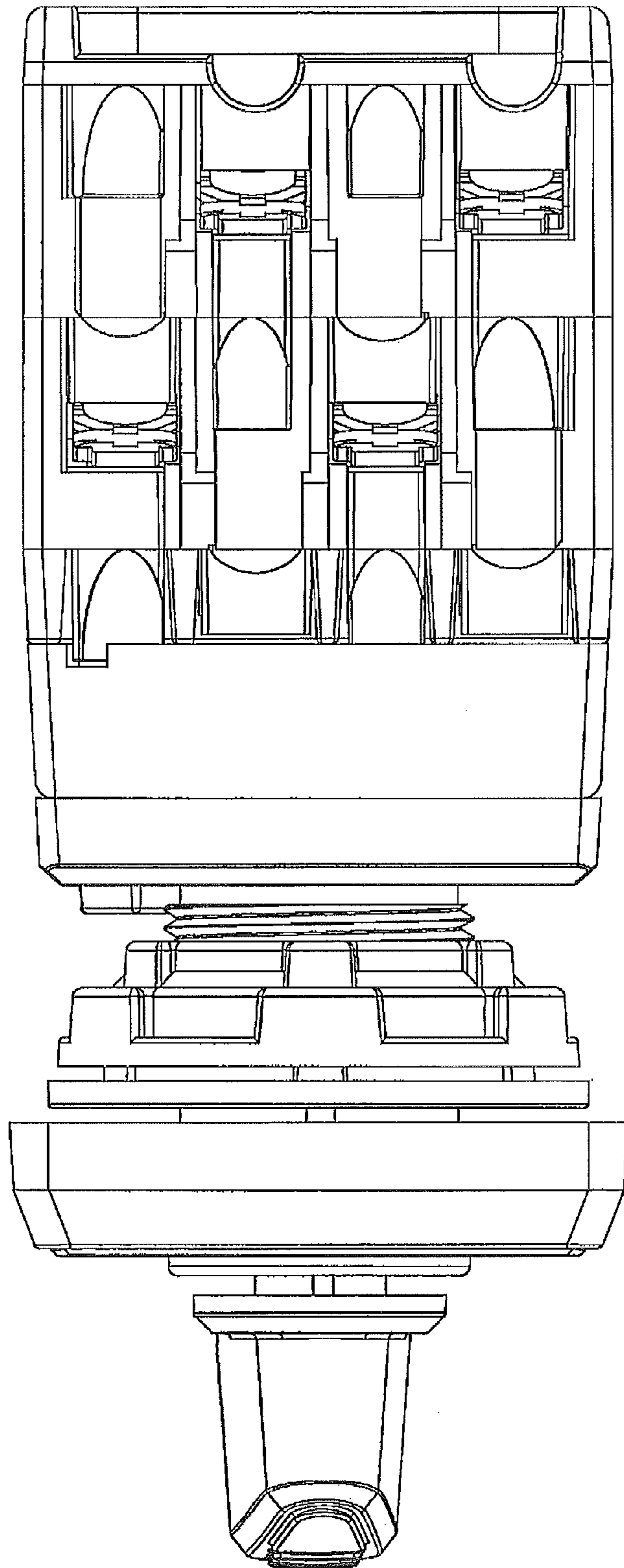


FIG. 6

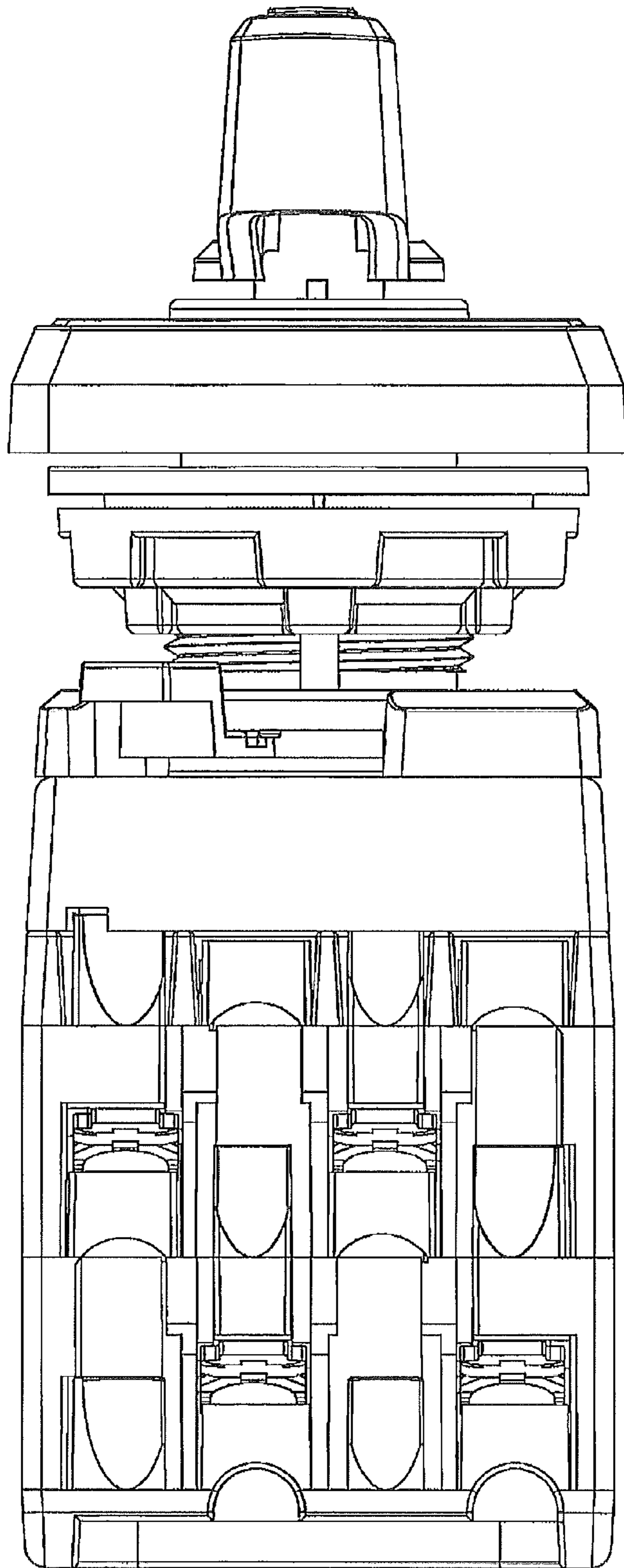


FIG. 7