



US00D738319S

(12) **United States Design Patent**  
**Lau et al.**

(10) **Patent No.:** **US D738,319 S**  
(45) **Date of Patent:** **\*\* Sep. 8, 2015**

(54) **LIGHT SENSOR**

(56) **References Cited**

(71) Applicant: **City University of Hong Kong,**  
Kowloon (HK)  
(72) Inventors: **Tsz Kit Lau,** New Territories (HK); **Hoi**  
**Ling Wong,** Kowloon (HK); **Sin Yu**  
**Yeung,** New Territories (HK); **Hoi Sing**  
**Siu,** Shau Kei Wan (HK); **Sui Pung**  
**Cheung,** Kowloon (HK); **Shu Hung**  
**Henry Chung,** Mid-Levels (HK)  
(73) Assignee: **City University of Hong Kong,** Hong  
Kong (HK)  
(\*\*) Term: **14 Years**  
(21) Appl. No.: **29/483,046**  
(22) Filed: **Feb. 25, 2014**

U.S. PATENT DOCUMENTS

D236,443	S	*	8/1975	Schroeder	.....	D10/106.1
D468,654	S	*	1/2003	Wunsch	.....	D10/104.1
D526,279	S	*	8/2006	Kotyk	.....	D13/158
D542,738	S	*	5/2007	Pollard	.....	D13/165
7,297,929	B2	*	11/2007	Cernasov et al.	.....	250/221
D561,630	S	*	2/2008	Bandringa et al.	.....	D10/106.6
D564,975	S	*	3/2008	Horio et al.	.....	D13/165
D567,121	S	*	4/2008	Zhang et al.	.....	D10/69
7,642,493	B2	*	1/2010	Balzer et al.	.....	250/203.3
D664,460	S	*	7/2012	Aurongzeb et al.	.....	D10/106.6
8,461,503	B2	*	6/2013	Leinen	.....	250/205
D697,439	S	*	1/2014	Moeller	.....	D10/70
D706,152	S	*	6/2014	Ni et al.	.....	D10/106.6
2007/0176081	A1	*	8/2007	Stricklin	.....	250/214 AL
2009/0152449	A1	*	6/2009	Goto	.....	250/214 R
2011/0221350	A1	*	9/2011	Staab	.....	315/154
2011/0284730	A1	*	11/2011	Sturdevant	.....	250/252.1
2012/0235576	A1	*	9/2012	Bizzotto et al.	.....	315/151
2013/0234008	A1	*	9/2013	Steiner	.....	250/214.1
2014/0299749	A1	*	10/2014	Zielke et al.	.....	250/221

\* cited by examiner

*Primary Examiner* — Selina Sikder

(74) *Attorney, Agent, or Firm* — Renner Kenner Greive  
Bobak Taylor & Weber

(30) **Foreign Application Priority Data**

Aug. 26, 2013 (HK) ..... 13014461  
(51) **LOC (10) Cl.** ..... **13-03**  
(52) **U.S. Cl.**  
USPC ..... **D13/165; D10/104.1**  
(58) **Field of Classification Search**  
USPC ..... D13/165; D10/104.1, 106.5, 106.6,  
D10/106.8, 114.2, 114.8; 250/214.1, 221,  
250/239; 315/149; 345/207  
CPC ..... G01H 9/004; G01J 1/02; G01J 1/0214;  
G01J 1/0271; G01J 1/04; G01J 1/0411;  
G01J 1/44; H05B 37/0218; H05B 37/0272

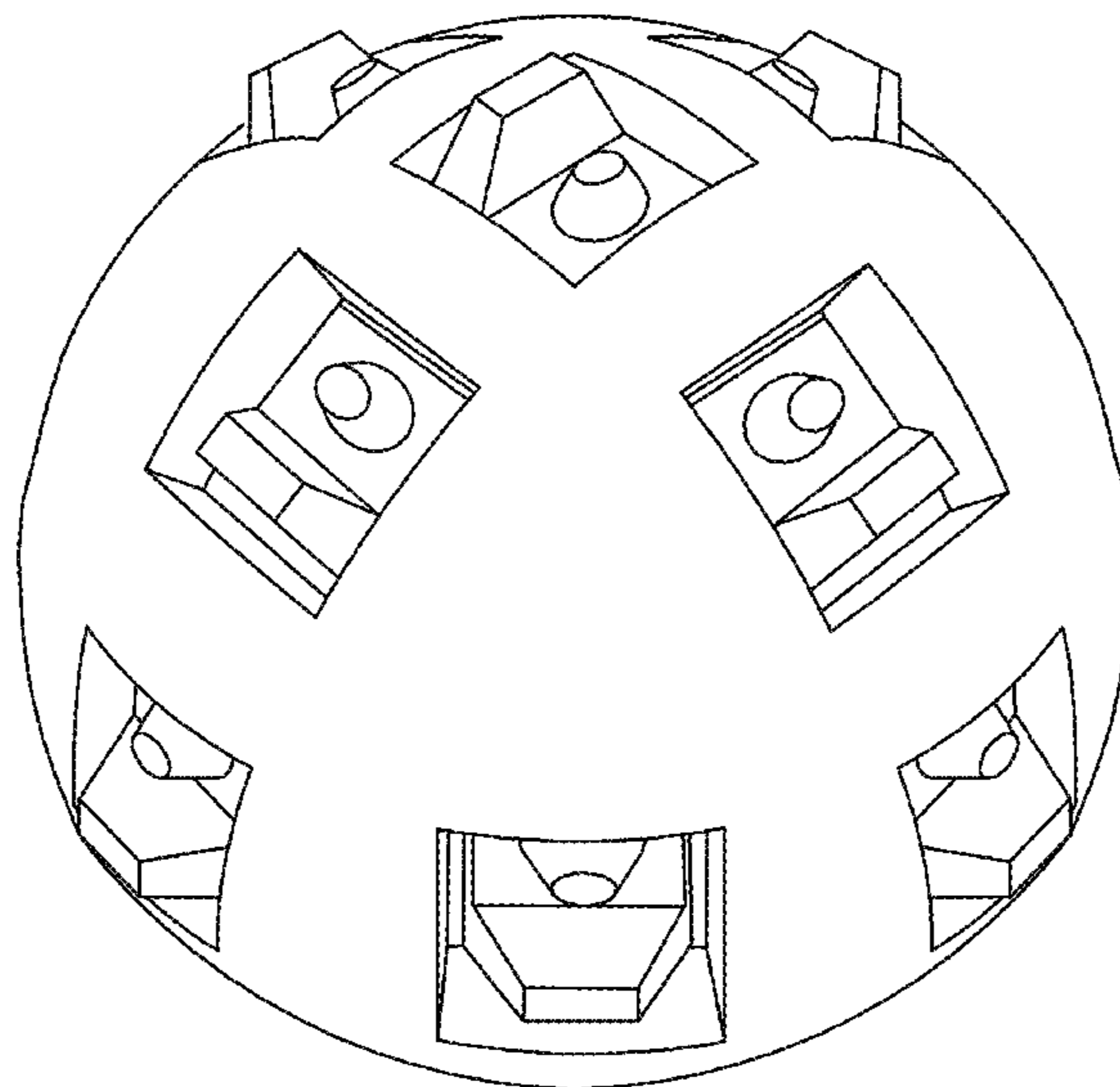
See application file for complete search history.

(57) **CLAIM**  
The ornamental design for “light sensor,” as shown and  
described.

**DESCRIPTION**

FIG. 1 is a perspective view of the light sensor of this inven-  
tion,  
FIG. 2 is a top plan view thereof,  
FIG. 3 is a right side elevation view thereof,  
FIG. 4 is a left side elevation view thereof,  
FIG. 5 is a front elevation view thereof; and,  
FIG. 6 is a rear elevation view thereof.  
The bottom view of the light sensor plays no part in the  
claimed design.

**1 Claim, 4 Drawing Sheets**



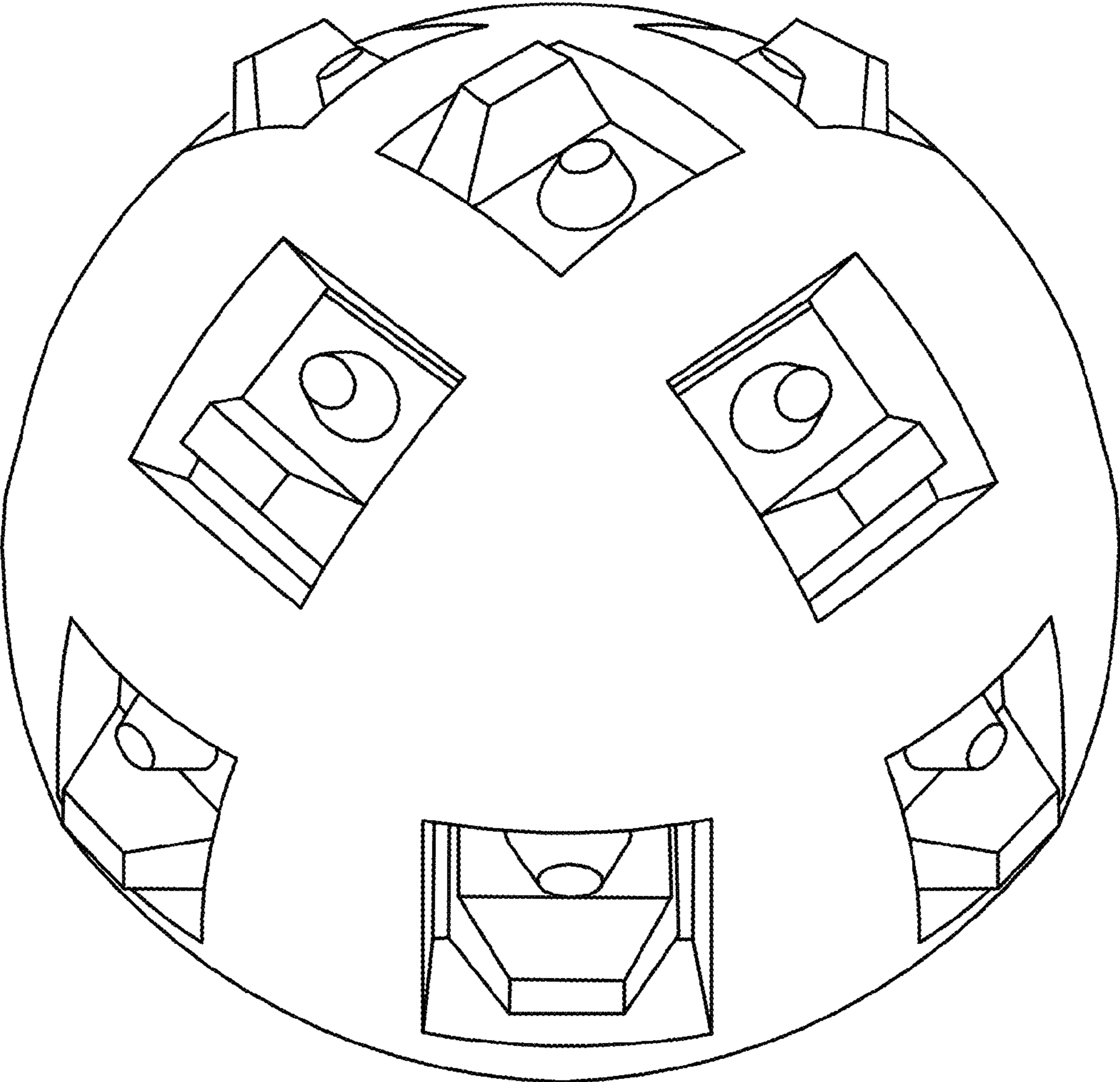


FIG. 1

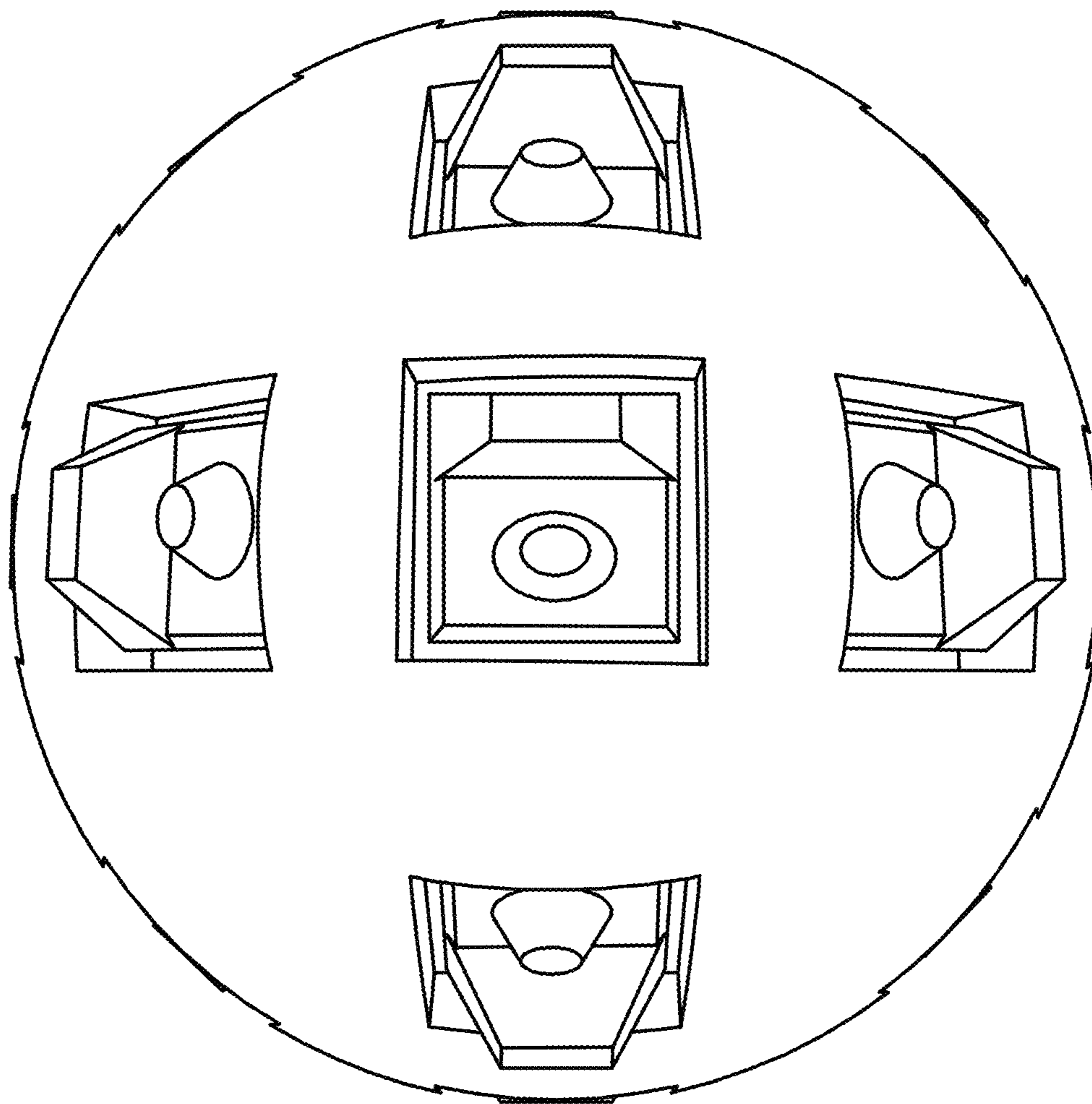


FIG. 2

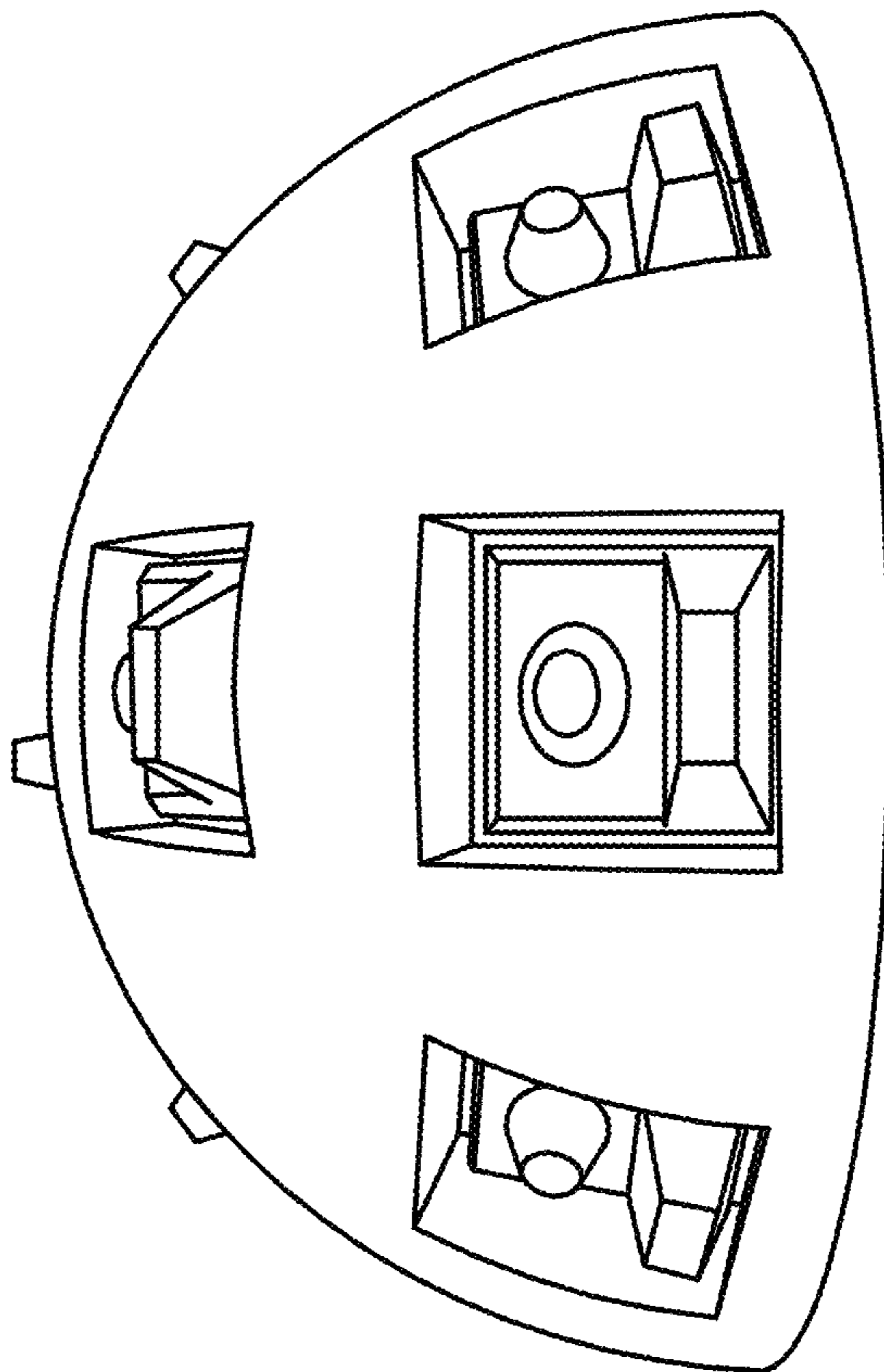


FIG. 3

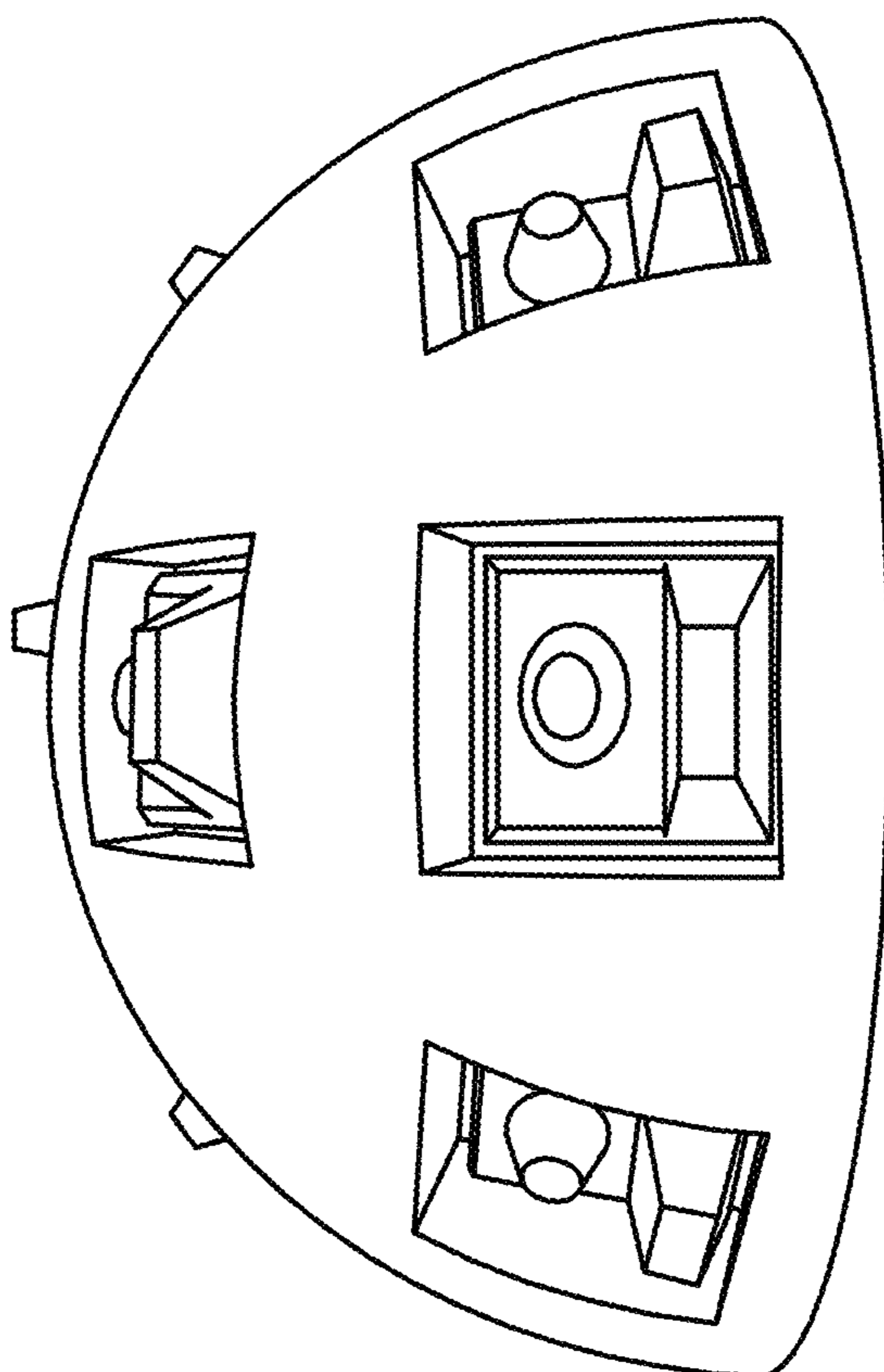


FIG. 4



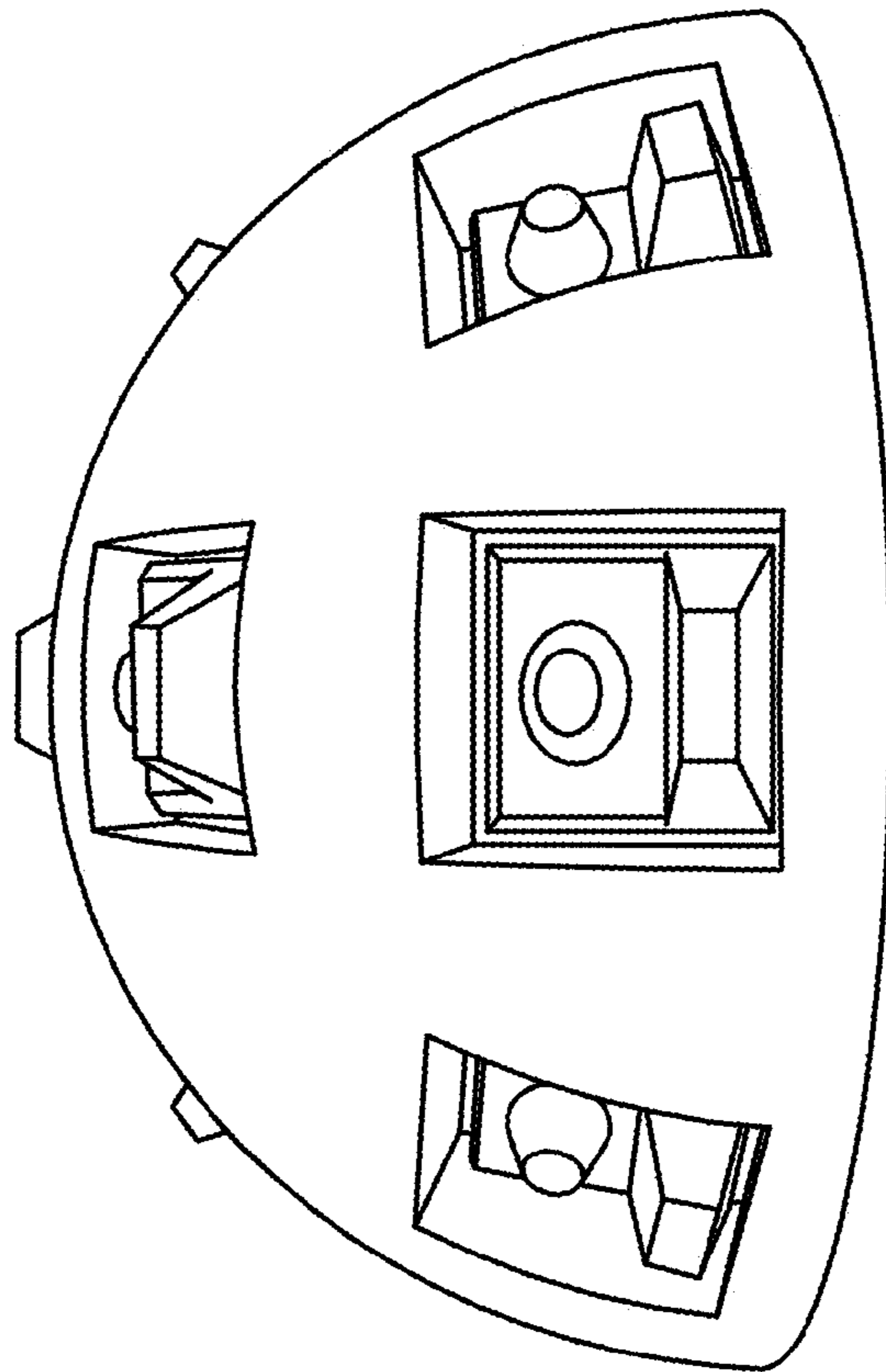


FIG. 6

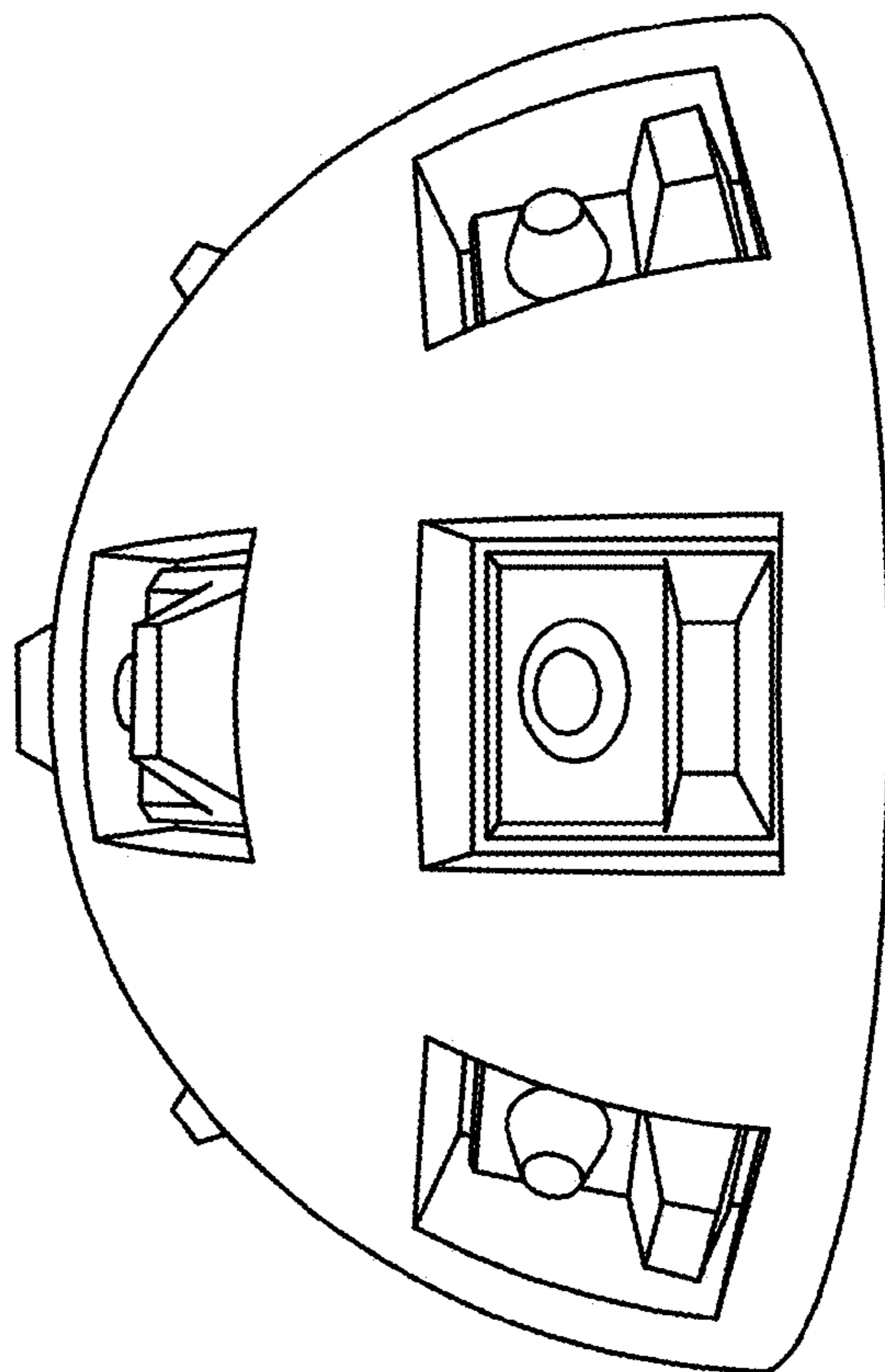


FIG. 5