



US00D738318S

(12) **United States Design Patent**
Andersson et al.

(10) **Patent No.:** **US D738,318 S**

(45) **Date of Patent:** **** Sep. 8, 2015**

(54) **SWITCH**

(56) **References Cited**

(71) Applicant: **Siemens Aktiengesellschaft**, München (DE)

U.S. PATENT DOCUMENTS

(72) Inventors: **Jan Andersson**, Erlangen (DE); **Tobias Reese**, Bamberg (DE); **Christoph Tomczak**, Erlangen (DE)

4,713,498	A	*	12/1987	Ludwig et al.	200/5 R
D320,434	S	*	10/1991	Rawald	D23/252
5,545,865	A	*	8/1996	Gotou	200/341
D393,448	S	*	4/1998	Siat	D13/173
D393,626	S	*	4/1998	Siat	D13/158
D394,243	S	*	5/1998	Siat	D13/158
D571,303	S	*	6/2008	Jokiniemi et al.	D13/158
D606,026	S	*	12/2009	Azzola et al.	D13/160
D648,828	S	*	11/2011	Meyer	D23/252
D658,134	S	*	4/2012	Jokiniemi et al.	D13/158
D703,295	S	*	4/2014	Garrels et al.	D23/252

(73) Assignee: **SIEMENS AKTIENGESELLSCHAFT**, München (DE)

* cited by examiner

(**) Term: **14 Years**

Primary Examiner — Thomas Johannes

Assistant Examiner — Shawn T Gingrich

(21) Appl. No.: **29/482,515**

(74) *Attorney, Agent, or Firm* — Henry M. Feiereisen LLC.

(22) Filed: **Feb. 19, 2014**

(57) **CLAIM**

The ornamental design for the switch, as shown and described.

(30) **Foreign Application Priority Data**

DESCRIPTION

Aug. 20, 2013 (EP) 001381305

(51) **LOC (10) Cl.** **13-03**

(52) **U.S. Cl.**
USPC **D13/158**

(58) **Field of Classification Search**
USPC D13/123, 147, 151, 158-177, 184;
200/43, 295, 296, 308, 310, 314, 329,
200/340, 1 R, 5 A, 5 R, 6 R; 439/491, 535;
335/202, 251, 262; D23/252

FIG. 1 is a front elevational view of a switch showing my new design;
FIG. 2 is a rear elevational view thereof;
FIG. 3 is a top elevational view thereof;
FIG. 4 is a bottom elevational view thereof;
FIG. 5 is a right side elevational view thereof;
FIG. 6 is a left side elevational view thereof; and,
FIG. 7 is a front right side perspective view thereof.
The broken line portion of the figure drawings is included to show unclaimed subject matter only and forms no part of the claimed design.

See application file for complete search history.

1 Claim, 7 Drawing Sheets

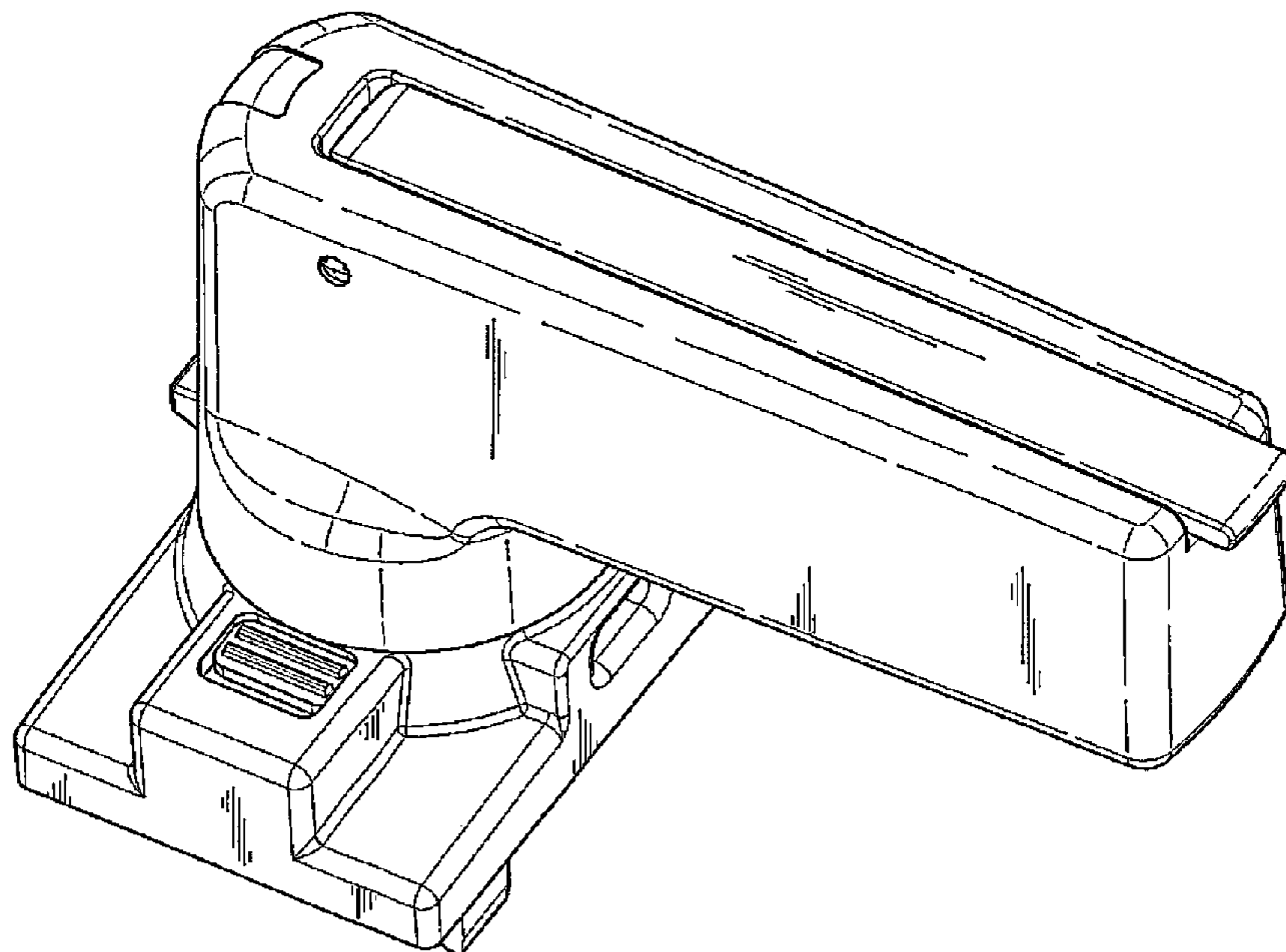


FIG 1

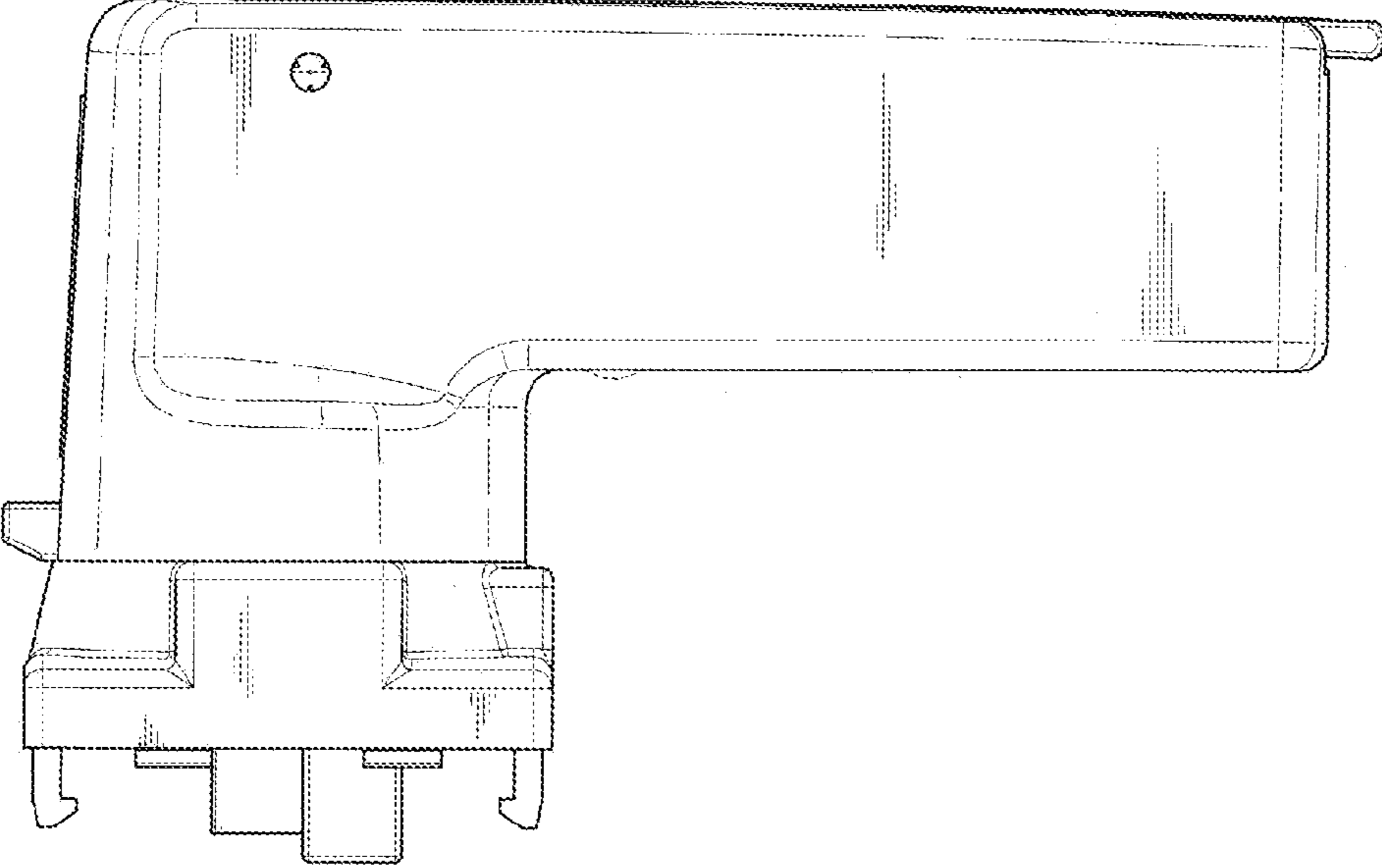


FIG.2

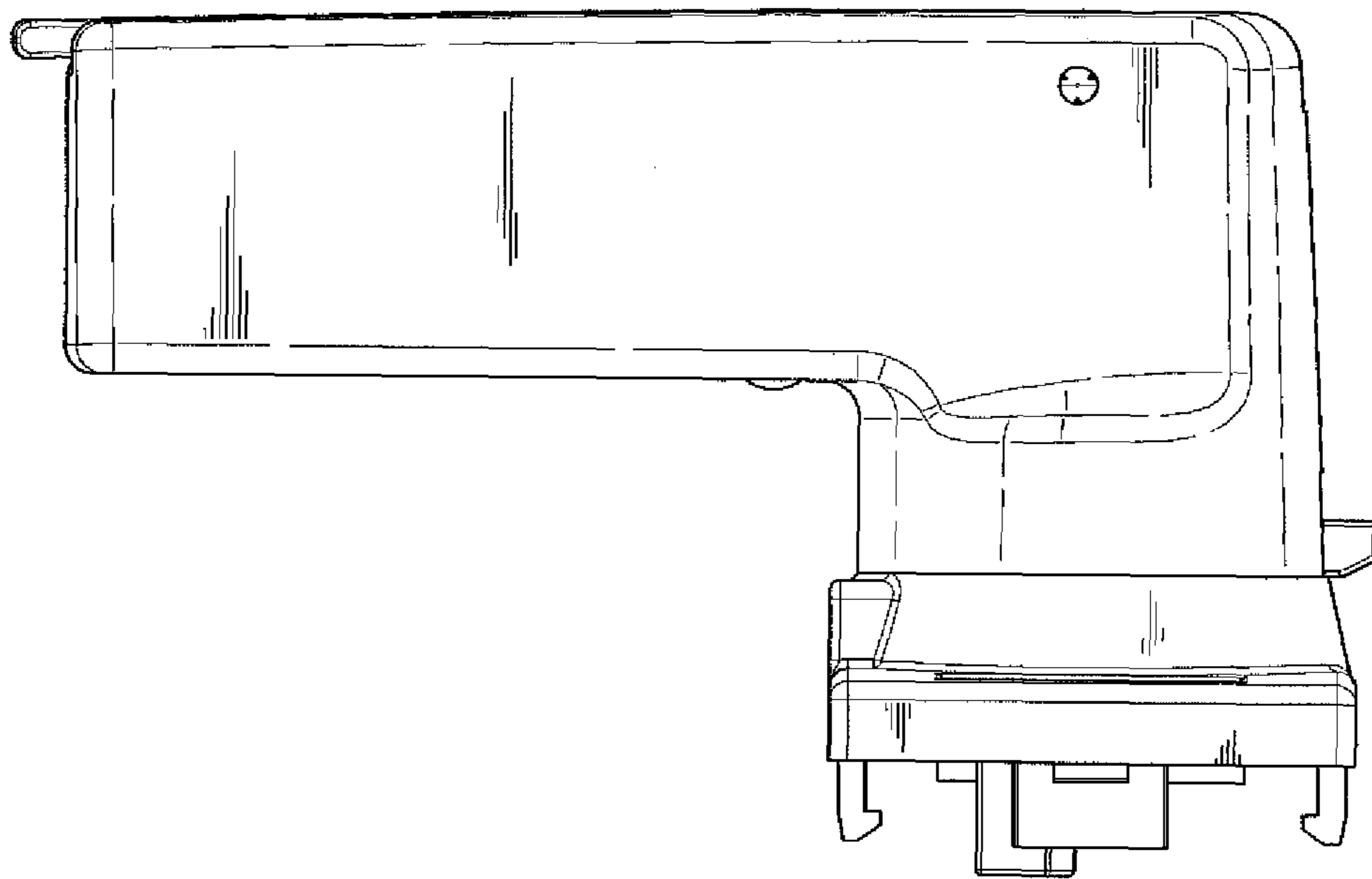


FIG.3

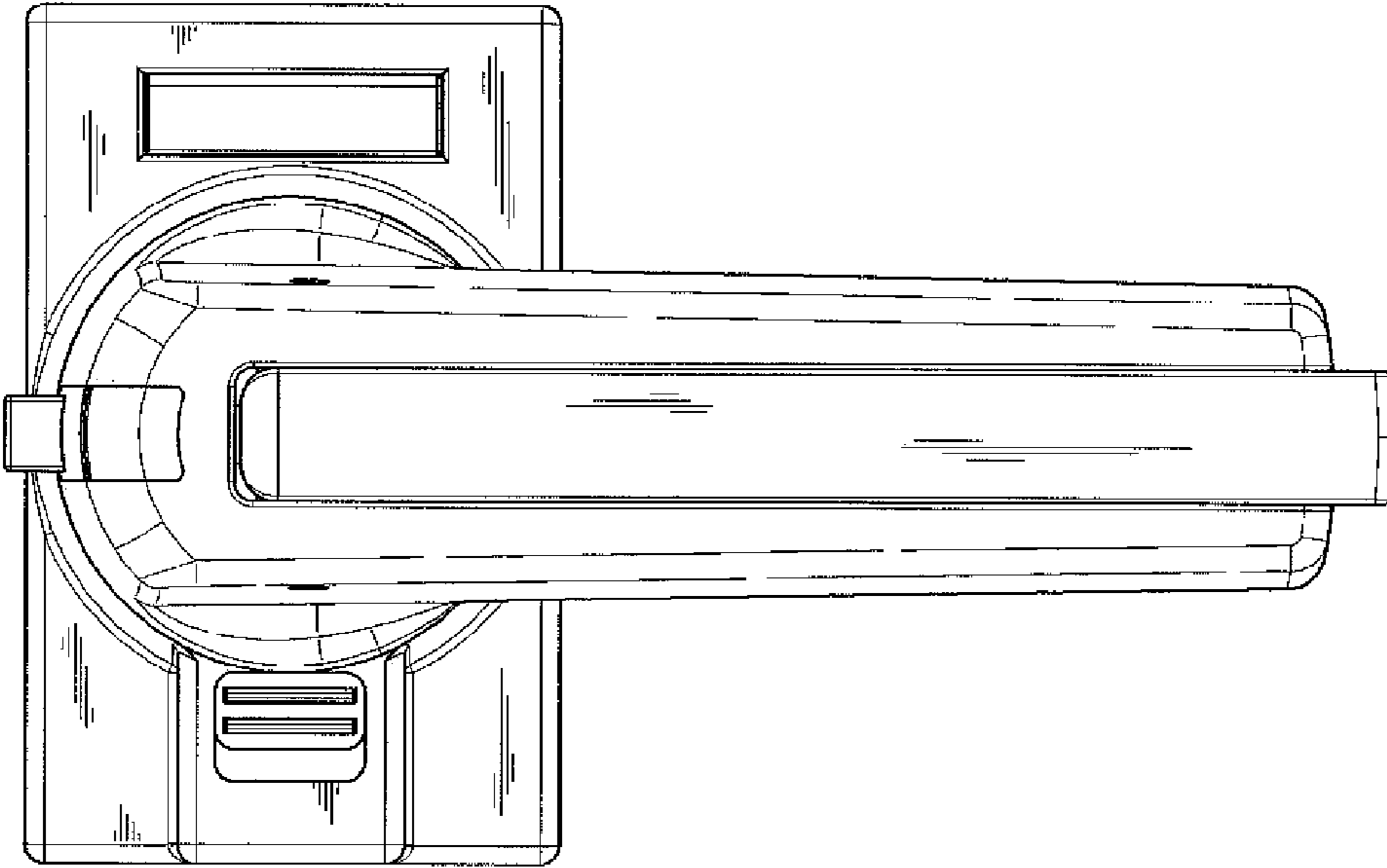


FIG. 4

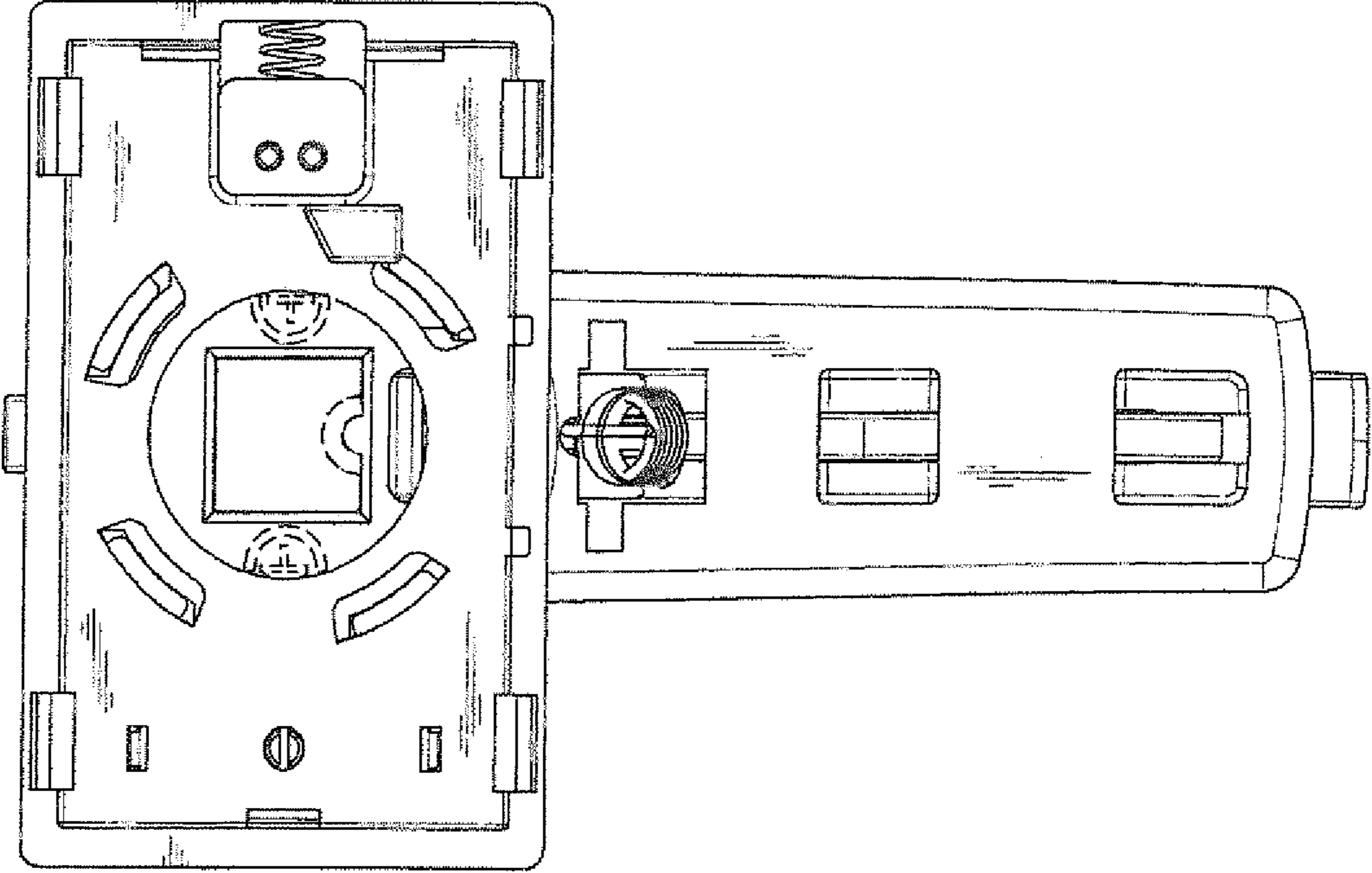


FIG 5

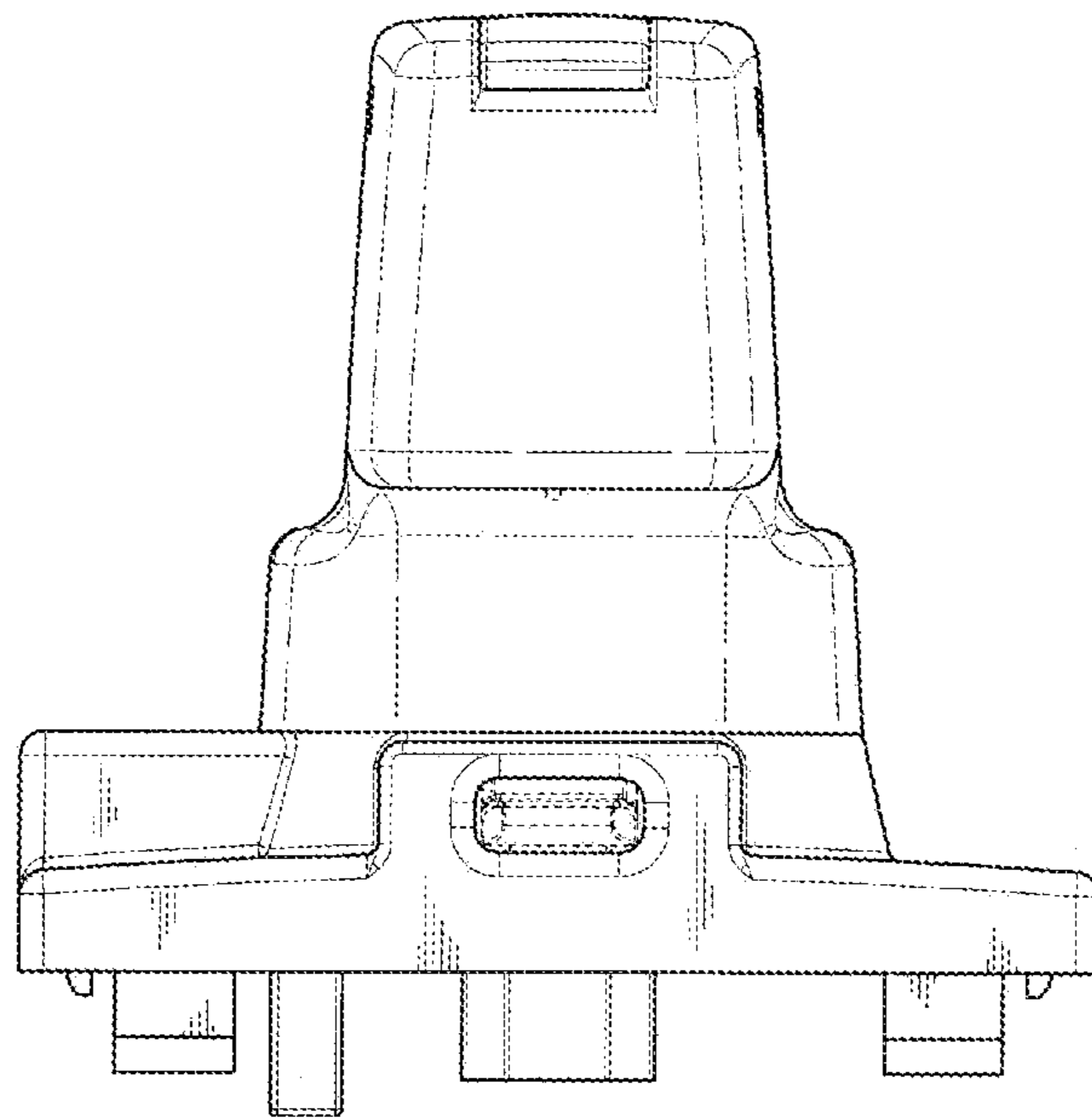


FIG.6

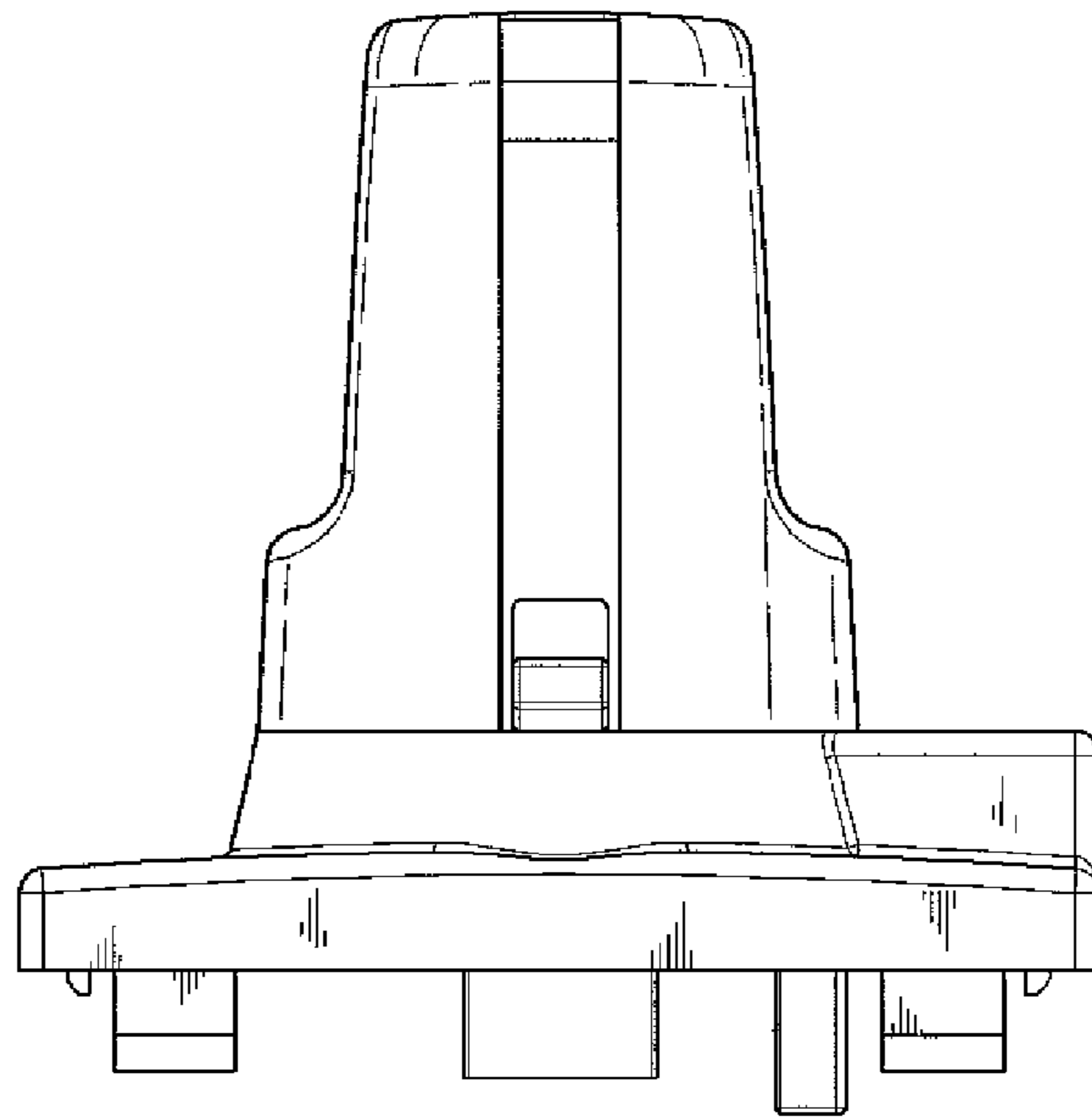


FIG.7

