



US00D738313S

(12) **United States Design Patent**
Amano et al.

(10) **Patent No.:** **US D738,313 S**
(45) **Date of Patent:** **** Sep. 8, 2015**

(54) **ELECTRICAL CONNECTOR HOUSING**

(71) Applicant: **SUMITOMO WIRING SYSTEMS, LTD.**, Yokkaichi-shi, Mie-ken (JP)

(72) Inventors: **Takamaru Amano**, Yokkaichi (JP);
Satoshi Morikawa, Yokkaichi (JP);
Kohei Takagi, Yokkaichi (JP)

(73) Assignee: **Sumitomo Wiring Systems, Ltd.**,
Yokkaichi-Shi, Mie-Ken (JP)

(**) Term: **14 Years**

(21) Appl. No.: **29/488,604**

(22) Filed: **Apr. 22, 2014**

(30) **Foreign Application Priority Data**

Oct. 24, 2013 (JP) 2013-024771
Oct. 24, 2013 (JP) 2013-024772

(51) **LOC (10) Cl.** **13-03**

(52) **U.S. Cl.**
USPC **D13/147**

(58) **Field of Classification Search**
USPC D13/146, 147, 154, 184, 199
See application file for complete search history.

(56) **References Cited**

U.S. PATENT DOCUMENTS

D235,552 S * 6/1975 Derr D13/146
4,915,649 A 4/1990 Shimazu et al.
D308,511 S * 6/1990 Makita et al. D13/146
D308,513 S * 6/1990 Endo et al. D13/147
D309,289 S * 7/1990 Endo et al. D13/147
D311,375 S * 10/1990 Kuzuno et al. D13/147
D311,379 S 10/1990 Kuzuno et al.
D319,813 S * 9/1991 Kozono D13/133
D322,775 S 12/1991 Nagasaka et al.
D323,811 S 2/1992 Sueyoshi et al.
D324,202 S 2/1992 Sueyoshi et al.

D324,206 S 2/1992 Sueyoshi et al.
D326,084 S * 5/1992 Nagasaka et al. D13/147
D336,283 S * 6/1993 Ohkura et al. D13/147
5,711,684 A * 1/1998 Inoue et al. 439/354

(Continued)

FOREIGN PATENT DOCUMENTS

JP 61-23275 U 2/1986

OTHER PUBLICATIONS

Engineering draft of one of the Applicant Sumitomo Wiring Systems' products (Part Name: WAS9RS-INJ2F-AY, Part No. 6189-6872) finalized on Sep. 6, 2004.

Primary Examiner — Daniel Bui

(74) *Attorney, Agent, or Firm* — Marsh Fischmann & Breyfogle LLP

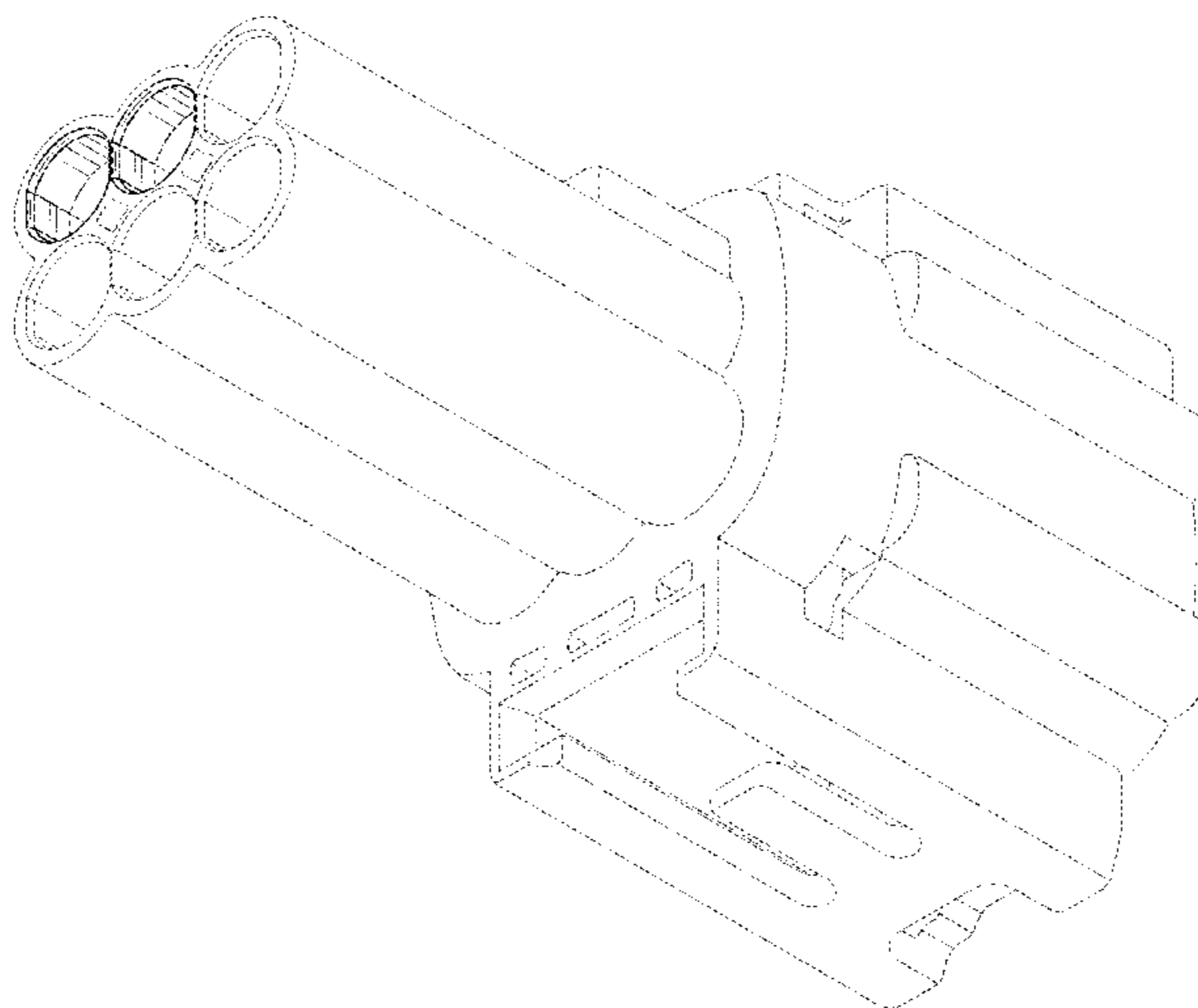
(57) **CLAIM**

The ornamental design for an electrical connector housing, as shown and described.

DESCRIPTION

FIG. 1 is a rear, bottom and left side perspective view of an electrical connector housing showing our new design;
FIG. 2 is a front view thereof;
FIG. 3 is a rear view thereof;
FIG. 4 is a top plan view thereof;
FIG. 5 is a right side view thereof;
FIG. 6 is a cross sectional view taken along line 6-6 in FIG. 2;
FIG. 7 is a cross sectional view taken along line 7-7 in FIG. 2;
FIG. 8 is a cross sectional view taken along line 8-8 in FIG. 2;
and,
FIG. 9 is a cross sectional view taken along line 9-9 in FIG. 2.
The features shown in broken lines in the drawings depict environmental subject matter only and form no part of the claimed design. The dash-dotted lines denote the boundary of the claim and form no part of the claimed design.

1 Claim, 9 Drawing Sheets



(56)

References Cited

U.S. PATENT DOCUMENTS

6,419,515 B1 * 7/2002 Okayasu 439/358
D474,447 S * 5/2003 Kano D13/133
D524,751 S 7/2006 Lee et al.

D561,101 S * 2/2008 Sakamoto D13/133
D561,104 S * 2/2008 Sakamoto D13/147
D564,963 S * 3/2008 Sakamoto D13/133
D564,968 S * 3/2008 Sakamoto D13/147
D702,189 S * 4/2014 Kagelmacher et al. D13/146

* cited by examiner

FIG. 1

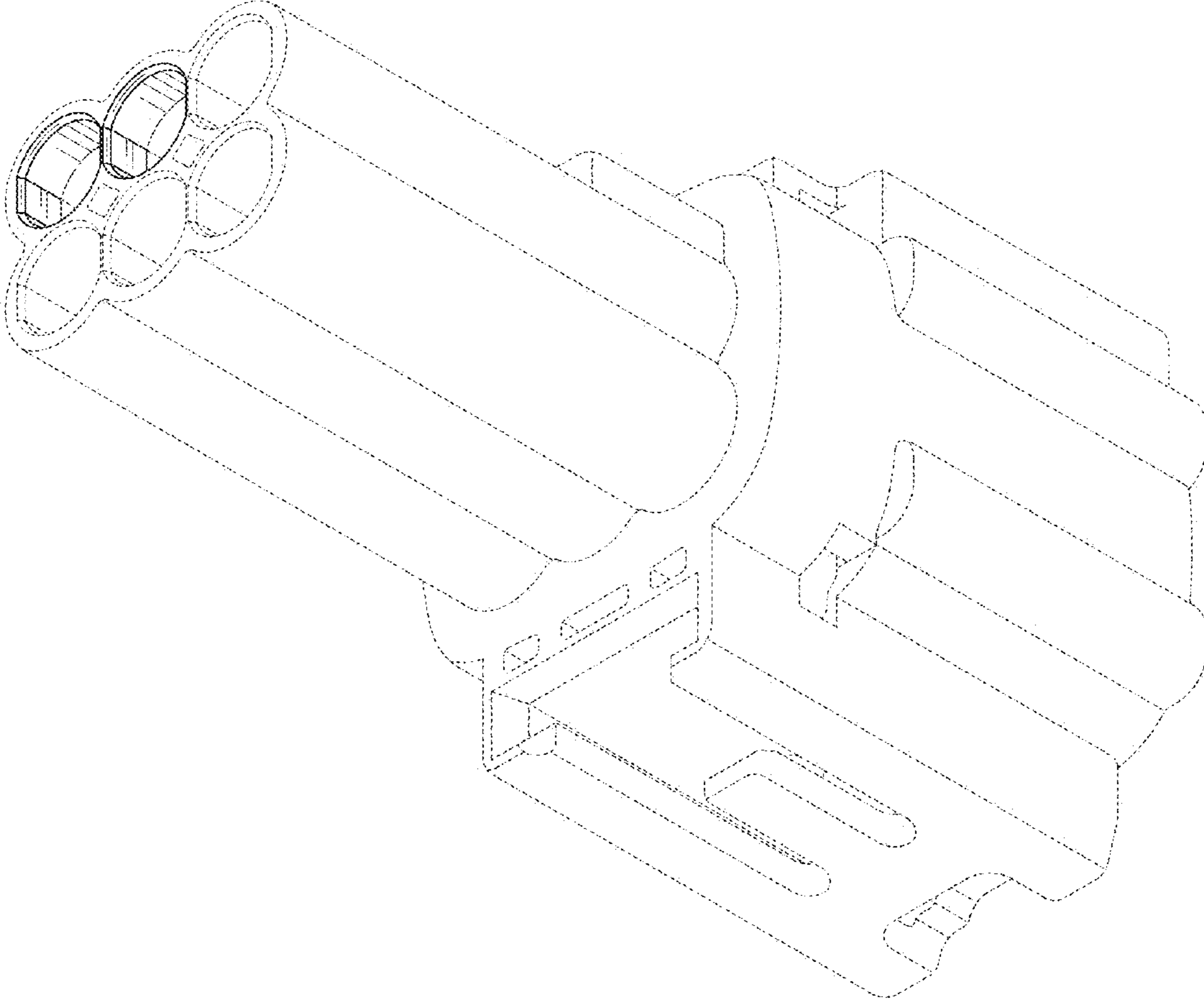


FIG. 2

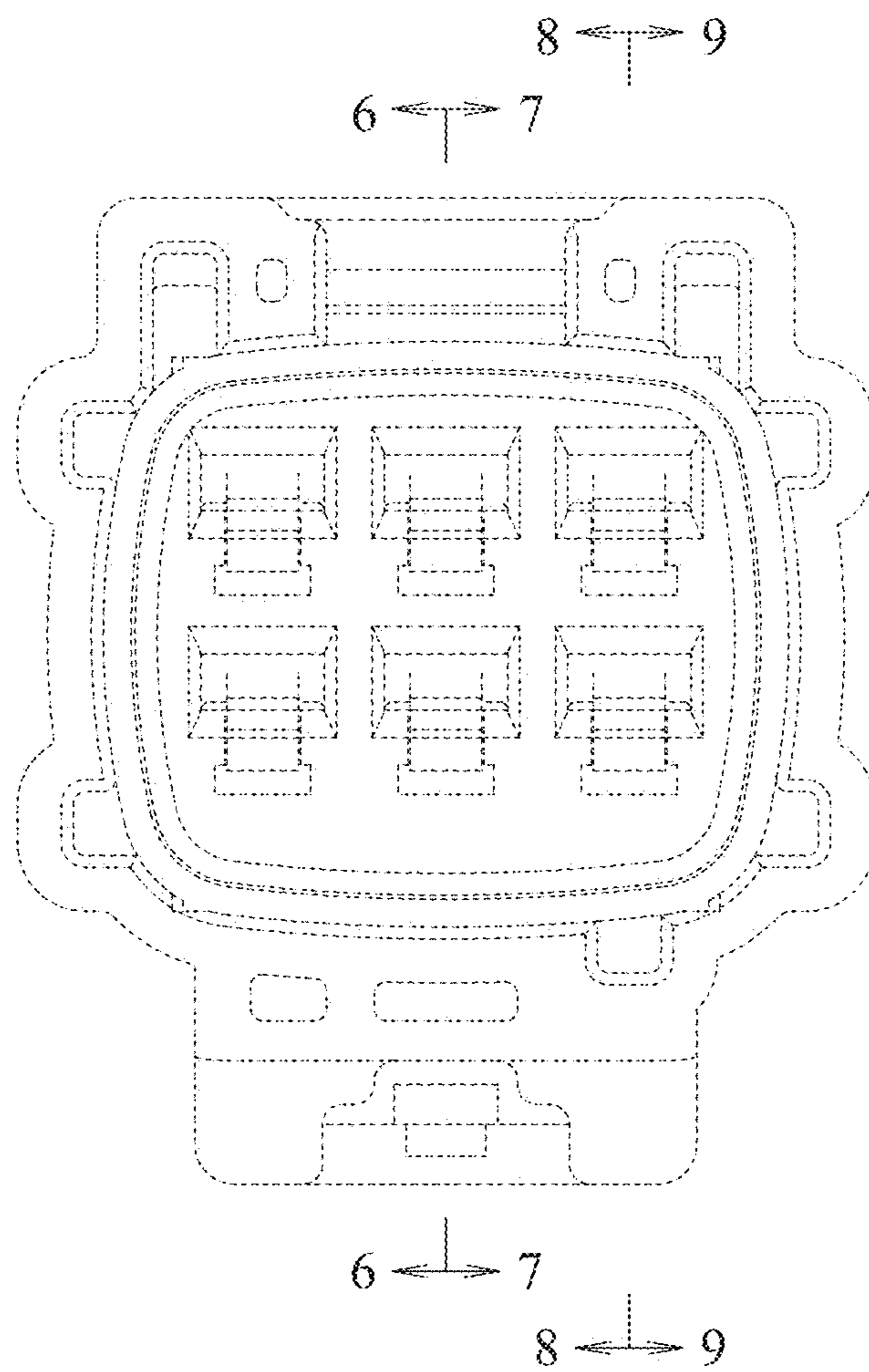


FIG. 3

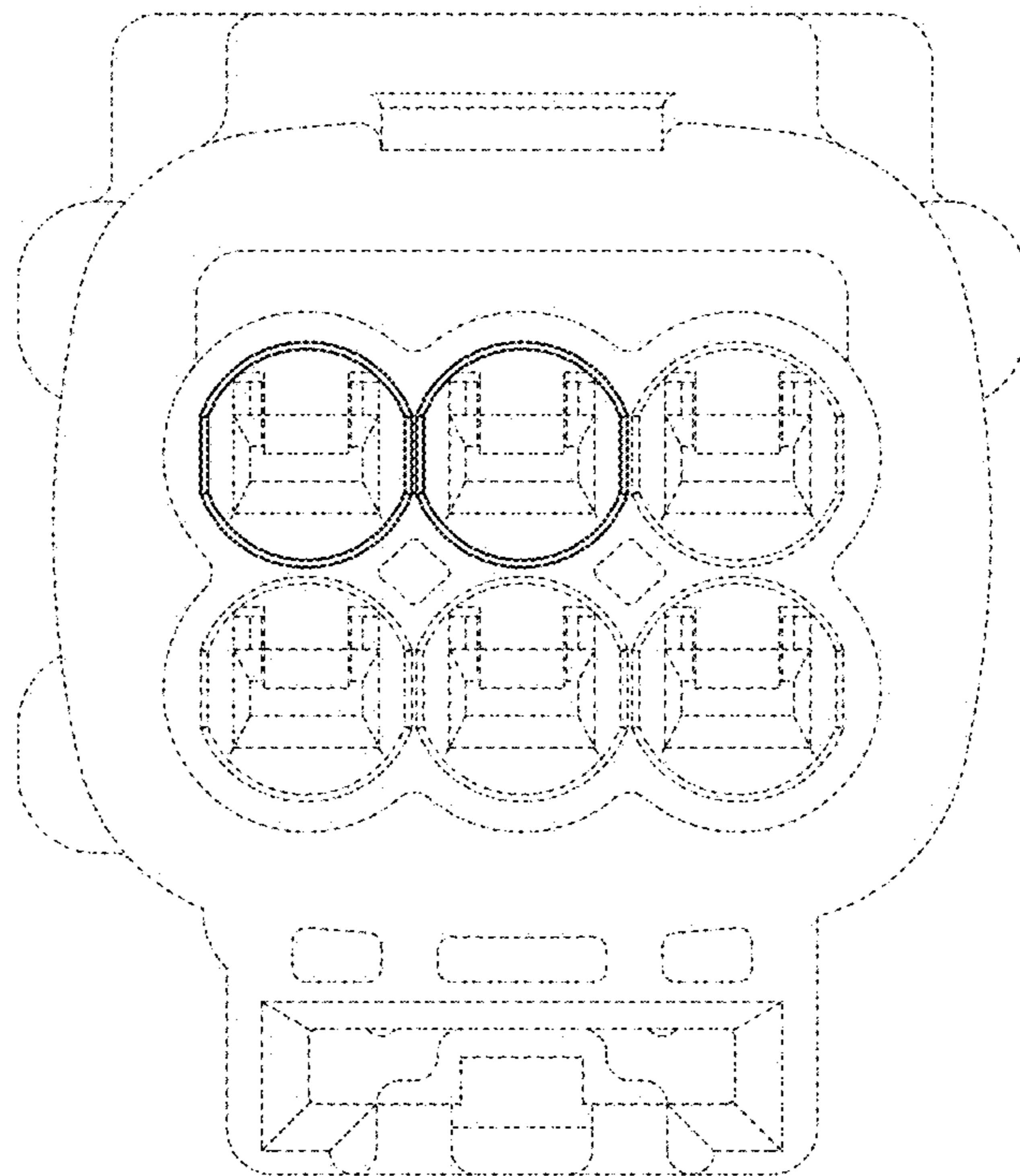


FIG. 4

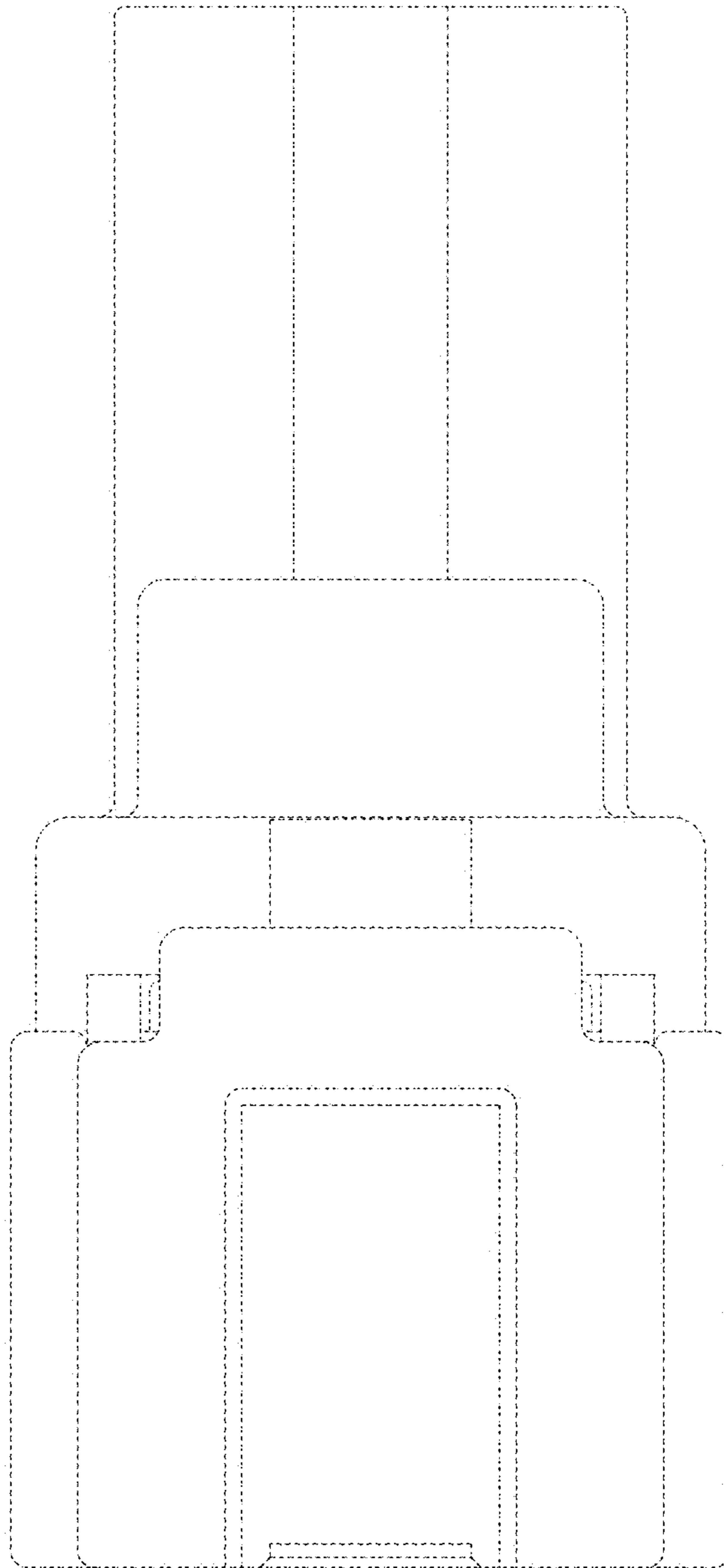


FIG. 5

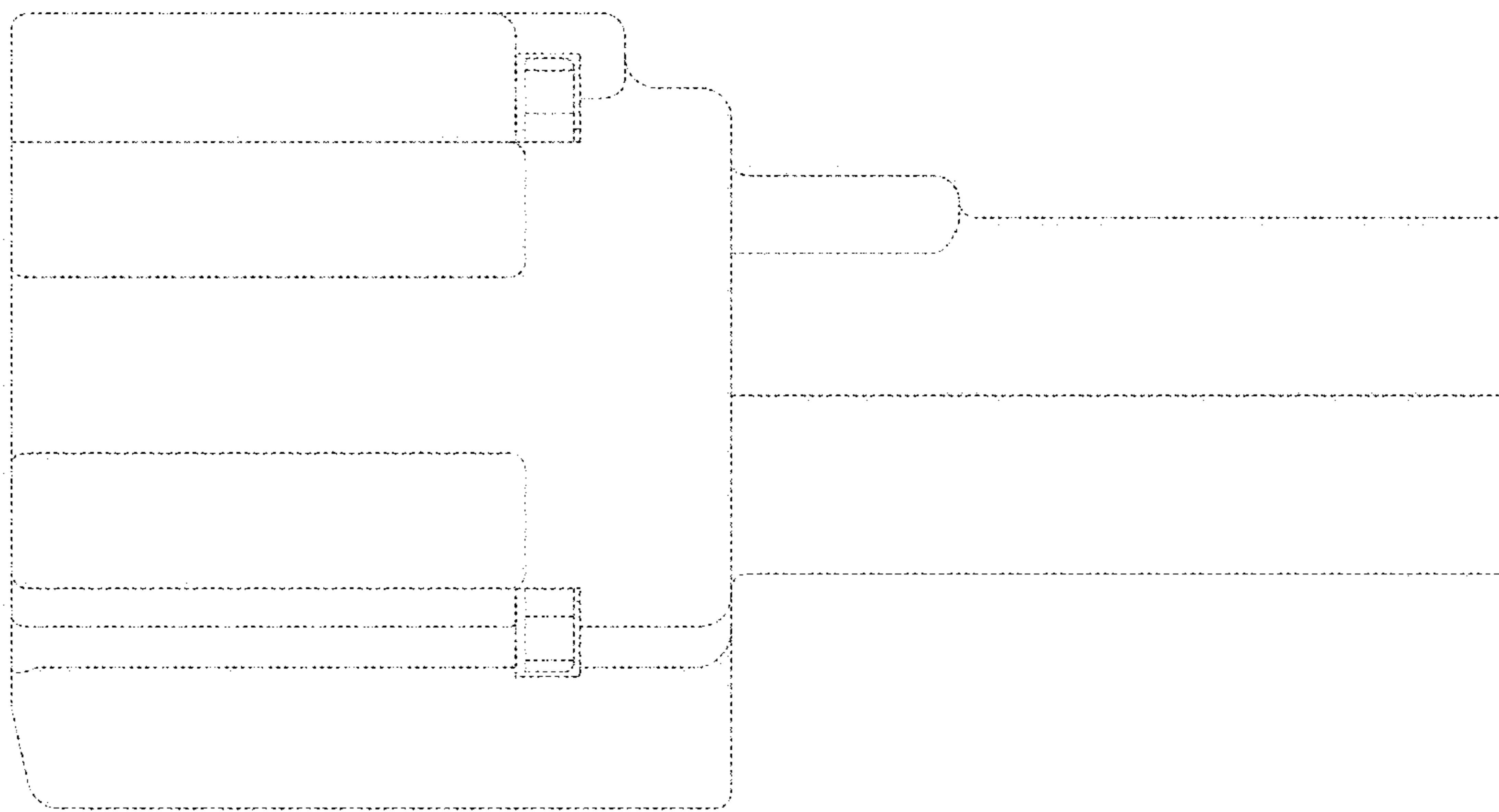


FIG. 6

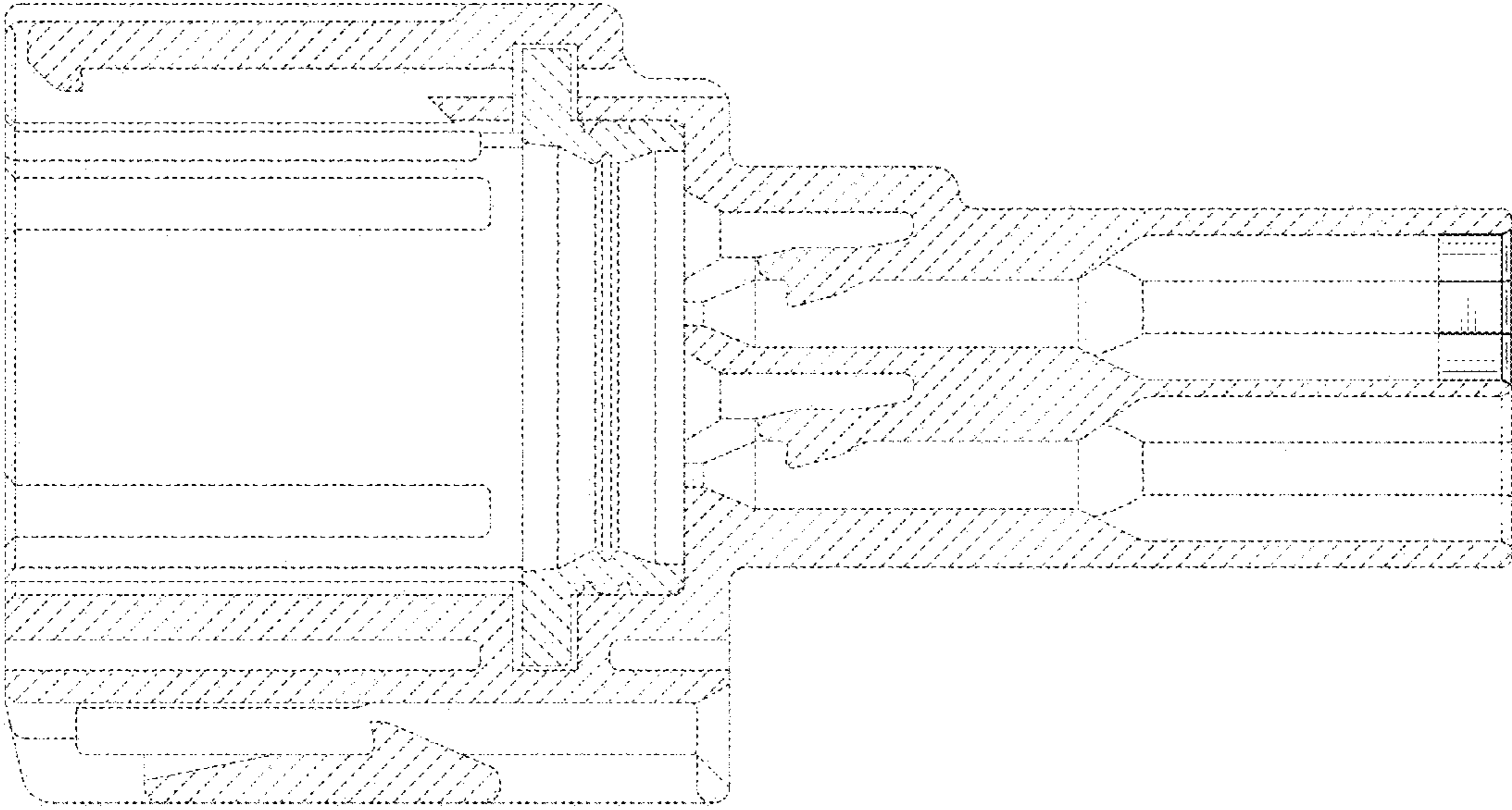


FIG. 7

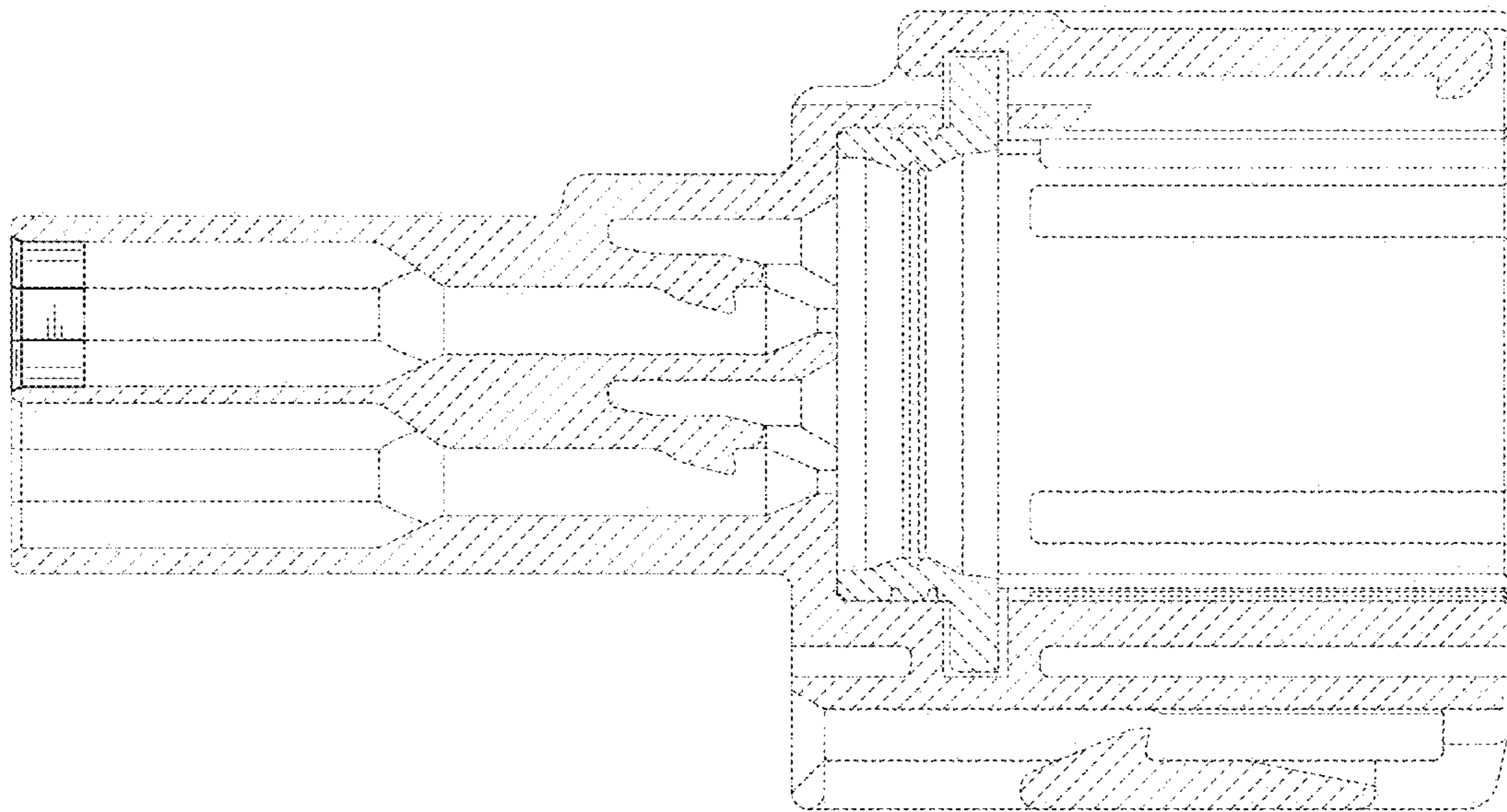


FIG. 8

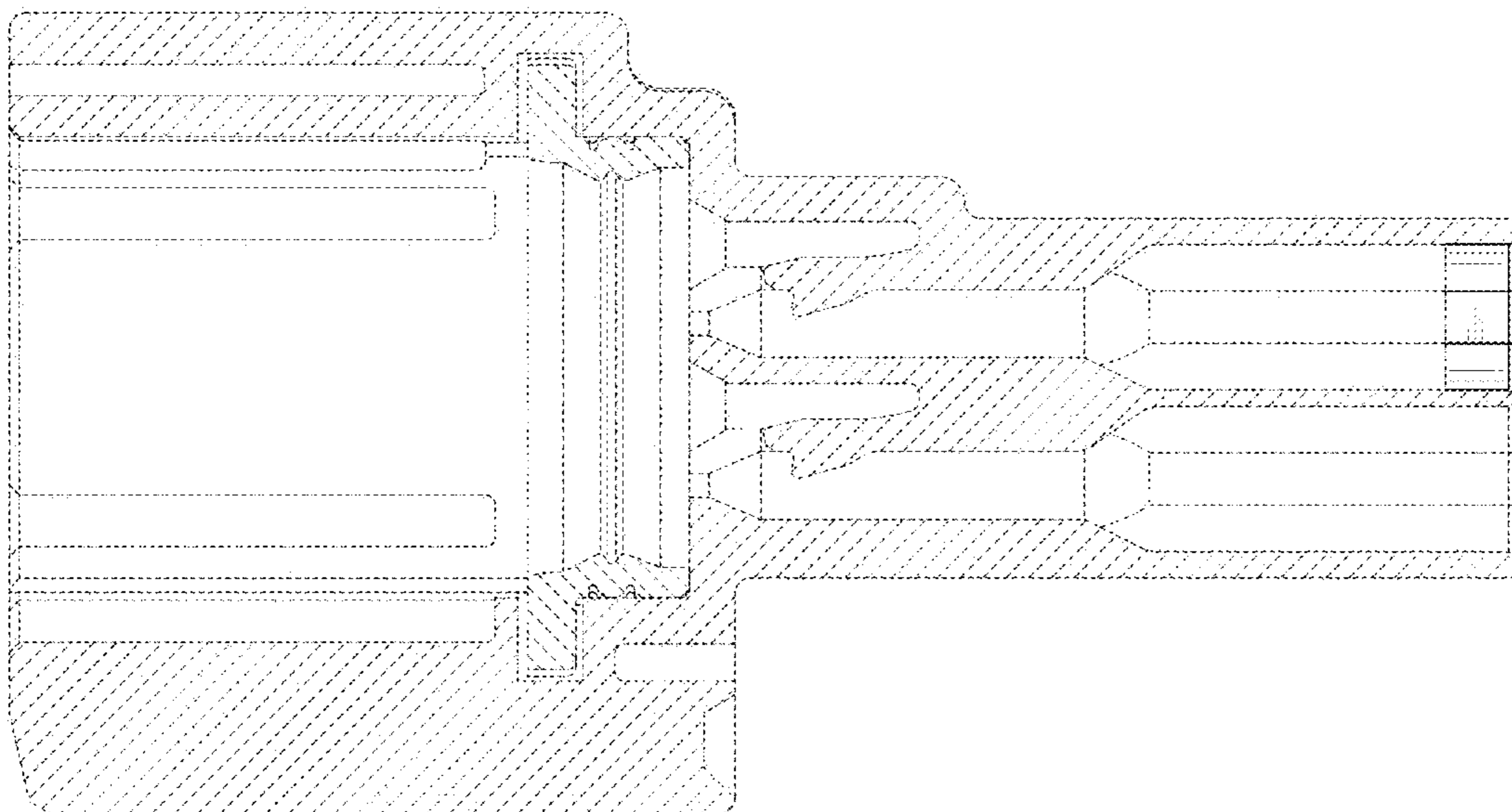


FIG. 9

