



US00D738310S

(12) **United States Design Patent**  
**Fletcher**

(10) **Patent No.:** **US D738,310 S**

(45) **Date of Patent:** **\*\* Sep. 8, 2015**

(54) **RECEPTACLE PLUG WITH GRIP**

(56) **References Cited**

(71) Applicant: **Valterra Products LLC**, Mission Hills, CA (US)

U.S. PATENT DOCUMENTS

(72) Inventor: **Bryan Fletcher**, Lodi, CA (US)

D511,748 S	11/2005	Caine et al.	
D549,651 S *	8/2007	Mancari et al.	D13/138.2
D586,296 S *	2/2009	Liu	D13/138.2
D592,139 S *	5/2009	Wu	D13/138.2
D592,141 S *	5/2009	Mancari et al.	D13/139.1
D602,434 S *	10/2009	Mancari et al.	D13/139.1
D614,571 S *	4/2010	Wu	D13/138.2
D635,515 S *	4/2011	Atwell et al.	D13/138.2
D638,359 S *	5/2011	Atwell et al.	D13/138.2
D660,235 S *	5/2012	Liang-Hsu et al.	D13/138.2
D664,095 S *	7/2012	Benedict et al.	D13/138.2
D667,791 S *	9/2012	Angel et al.	D13/133
D667,792 S *	9/2012	Angel et al.	D13/133

(73) Assignee: **Valterra Products LLC**, Mission Hills, CA (US)

(\*\*) Term: **14 Years**

(21) Appl. No.: **29/503,208**

\* cited by examiner

(22) Filed: **Sep. 24, 2014**

*Primary Examiner* — Holly Baynham

*Assistant Examiner* — Rhea Shields

(74) *Attorney, Agent, or Firm* — Tracy M. Heims; Apex Juris, pllc

**Related U.S. Application Data**

(62) Division of application No. 29/471,742, filed on Nov. 4, 2013.

(51) **LOC (10) Cl.** ..... **13-03**

(57) **CLAIM**

The ornamental design for a receptacle plug with grip, as shown and described.

(52) **U.S. Cl.**

USPC ..... **D13/138.2**

**DESCRIPTION**

(58) **Field of Classification Search**

USPC ..... D13/138.2, 137.1–137.4, 118, 123, 156, D13/184, 199, 133; 363/15, 34, 146; 439/105–107, 650–653; 174/42, 45, 174/50, 54, 53

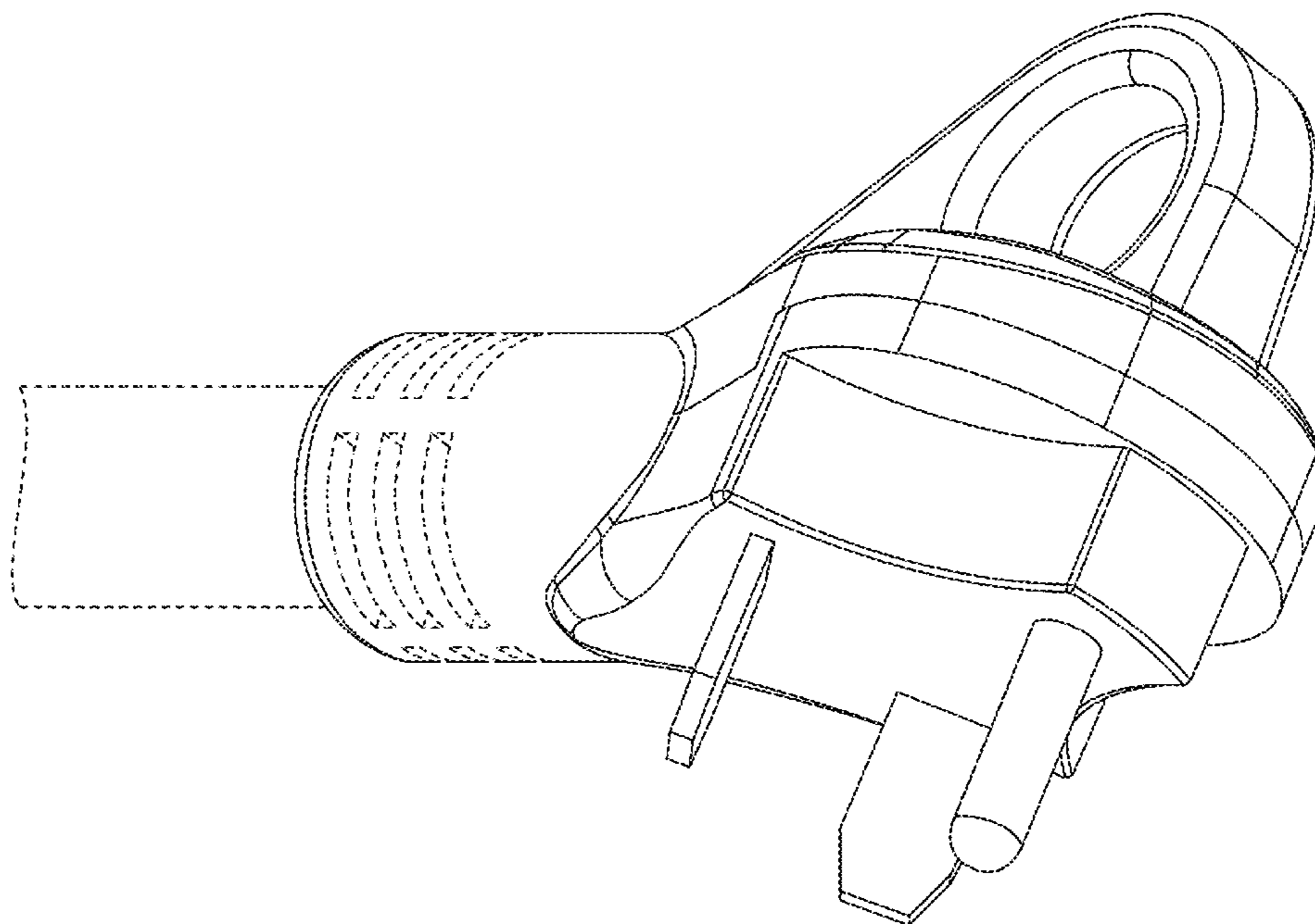
FIG. 1 is a perspective view of a receptacle plug with grip embodying the design; FIG. 2 is a top view of the receptacle plug with grip thereof; FIG. 3 is a back side view of the receptacle plug with grip thereof; and, FIG. 4 is a front side view of the receptacle plug with grip thereof.

CPC ..... H02M 5/4585; H02G 7/14; H02G 3/088; H01L 2924/01079

Any broken lines depict unclaimed subject matter only and form no part of the claimed design.

See application file for complete search history.

**1 Claim, 4 Drawing Sheets**



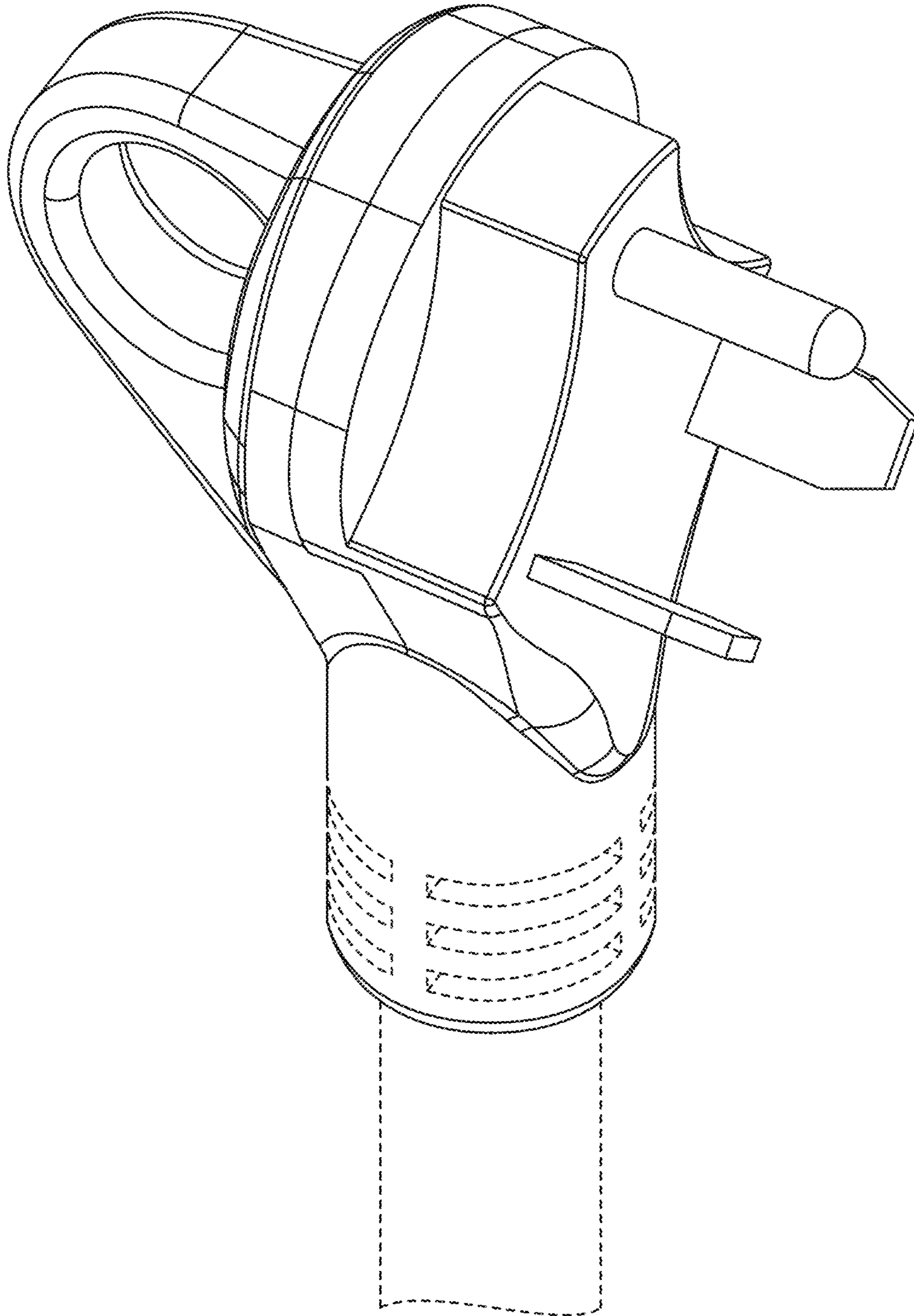


FIG. 1

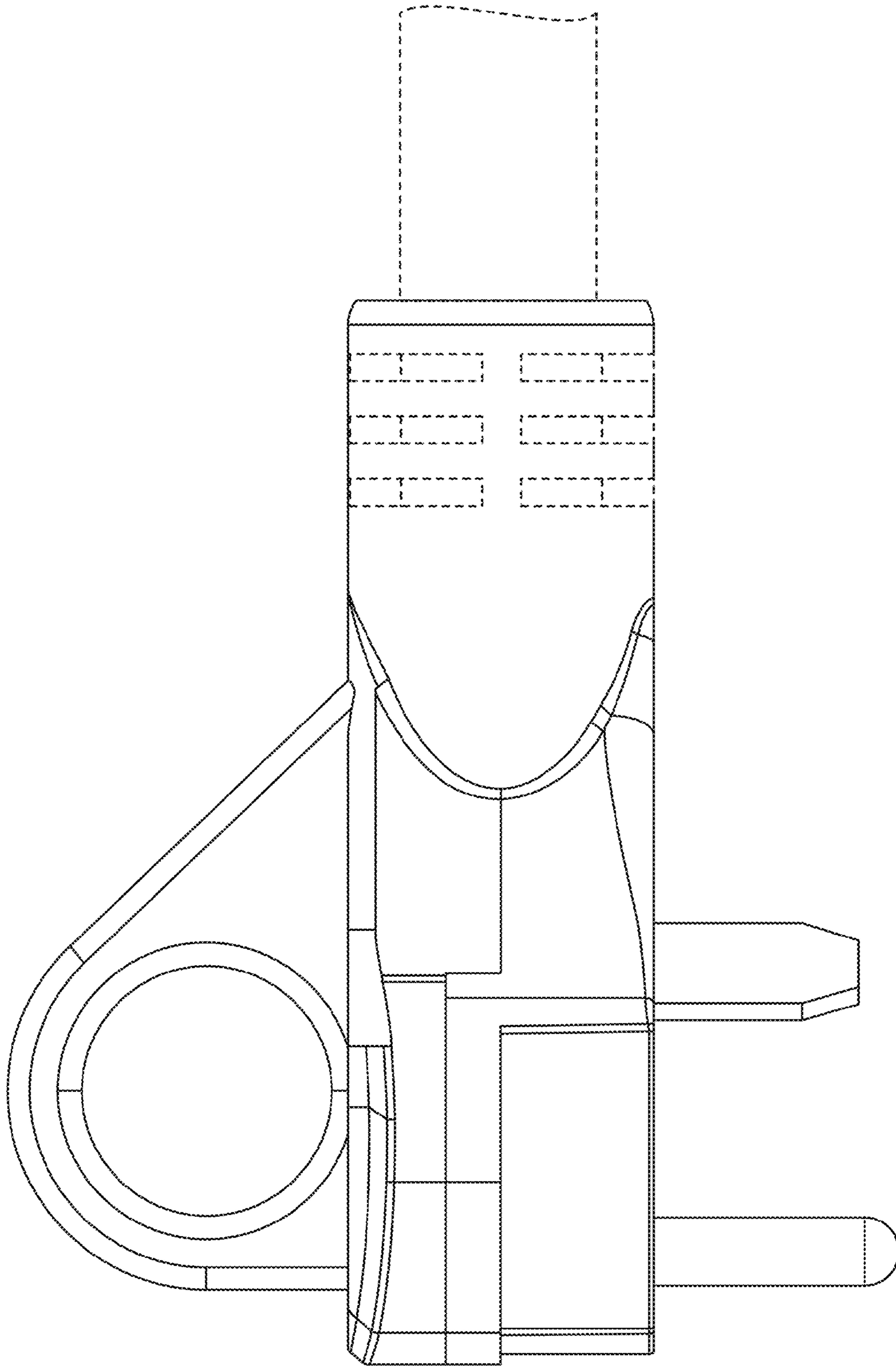


FIG. 2

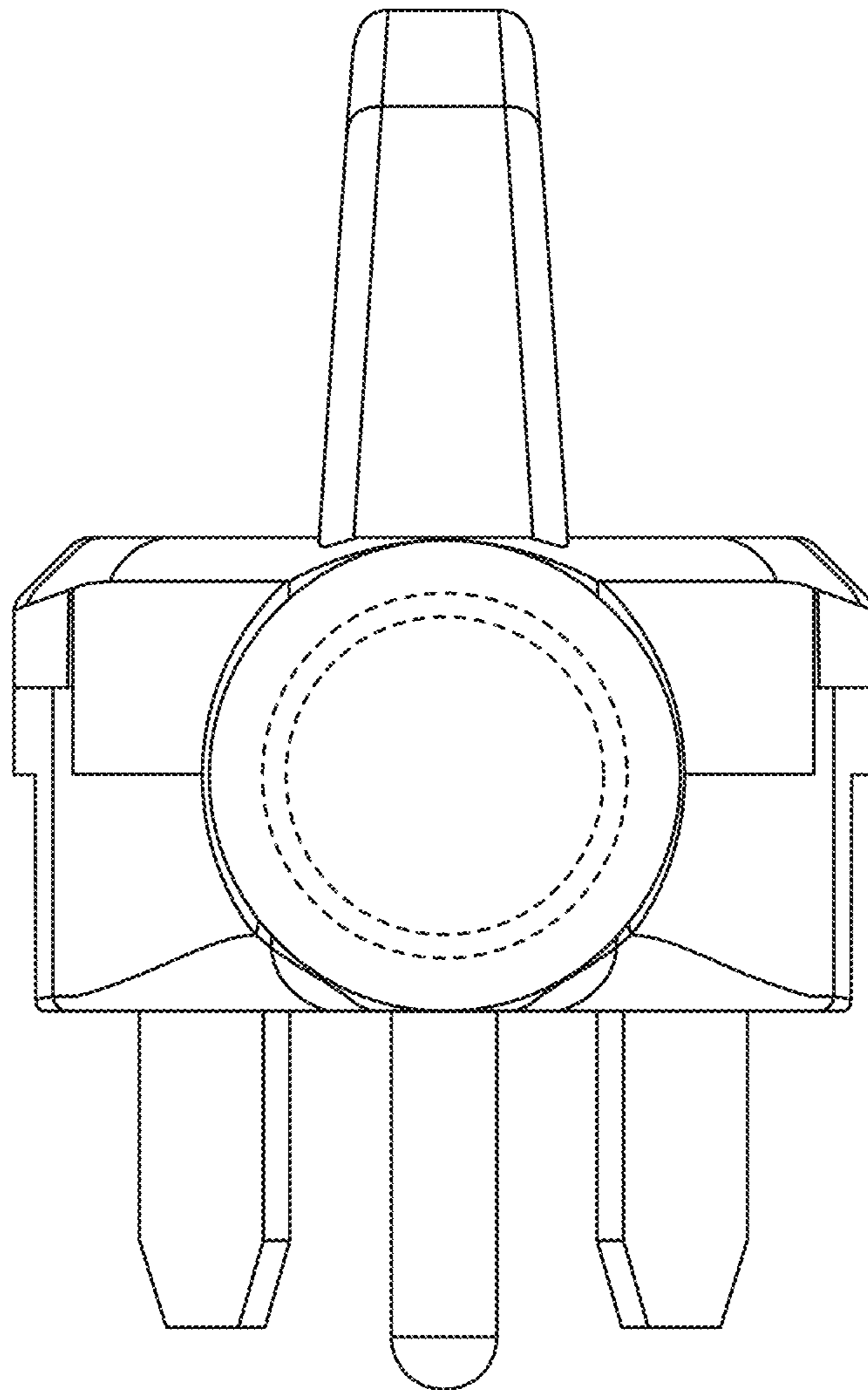


FIG. 3

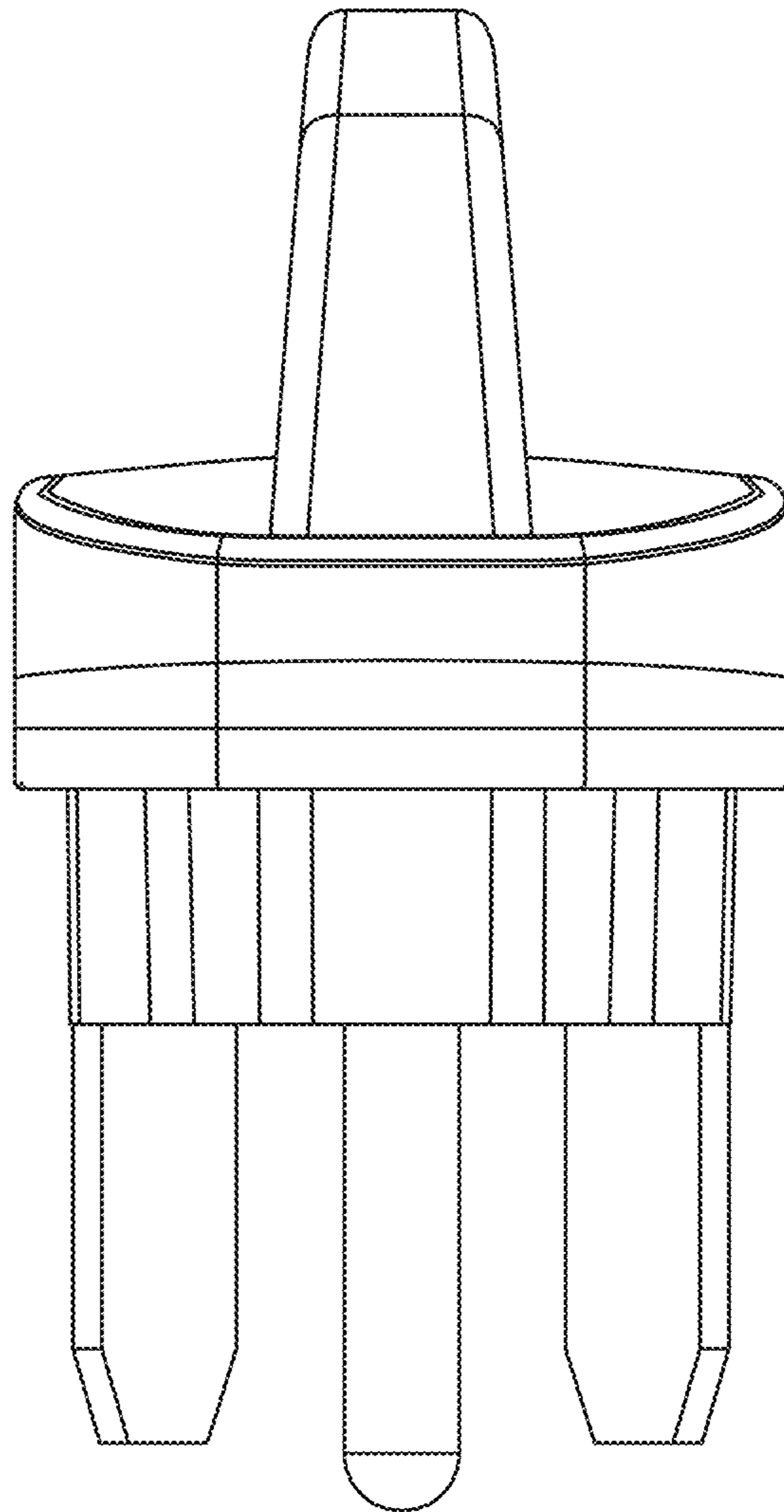


FIG. 4