



US00D738309S

(12) **United States Design Patent**
Sumwalt et al.

(10) **Patent No.:** **US D738,309 S**
(45) **Date of Patent:** **** Sep. 8, 2015**

- (54) **ELECTRICAL PLUG**
- (71) Applicant: **Steelcase Inc.**, Grand Rapids, MI (US)
- (72) Inventors: **Andrew Thomas Nelson Sumwalt**, Grand Rapids, MI (US); **Duck Young Kong**, Beaverton, OR (US); **Mark McKenna**, East Grand Rapids, MI (US)
- (73) Assignee: **Steelcase Inc.**, Grand Rapids, MI (US)
- (**) Term: **14 Years**
- (21) Appl. No.: **29/502,170**
- (22) Filed: **Sep. 12, 2014**
- (51) **LOC (10) Cl.** **13-03**
- (52) **U.S. Cl.**
USPC **D13/138.1**
- (58) **Field of Classification Search**
USPC D13/137.1, 137.2, 138.1, 138.2, 139.1, D13/108, 139.3, 110, 199, 152, 160; 439/694, 172; 363/146
CPC . H01R 2103/00; H01R 27/00; H01R 13/6675
See application file for complete search history.

D428,390 S	7/2000	Wang	
6,302,717 B1 *	10/2001	Cheung	439/172
D467,545 S	12/2002	Wang	
D508,461 S	8/2005	Hedrick	
D519,079 S	4/2006	Suckle	
D533,837 S	12/2006	Wang	
D535,947 S	1/2007	Suckle et al.	
D536,303 S	2/2007	Suckle et al.	
D537,784 S	3/2007	Suckle et al.	
D544,833 S	6/2007	Sade et al.	
D584,690 S	1/2009	Hsiung	
D594,417 S	6/2009	Ho'o et al.	
D596,572 S	7/2009	Wu et al.	
D616,364 S *	5/2010	Nylen	D13/108
D651,975 S	1/2012	Smith et al.	
D661,651 S	6/2012	Smith et al.	
D673,112 S *	12/2012	Zhang	D13/108
D675,159 S *	1/2013	Smith et al.	D13/110

(Continued)

Primary Examiner — Holly Baynham
Assistant Examiner — Rhea Shields
(74) *Attorney, Agent, or Firm* — Price Heneveld LLP

(57) **CLAIM**
We claim the ornamental design for an electrical plug, as shown and described.

DESCRIPTION

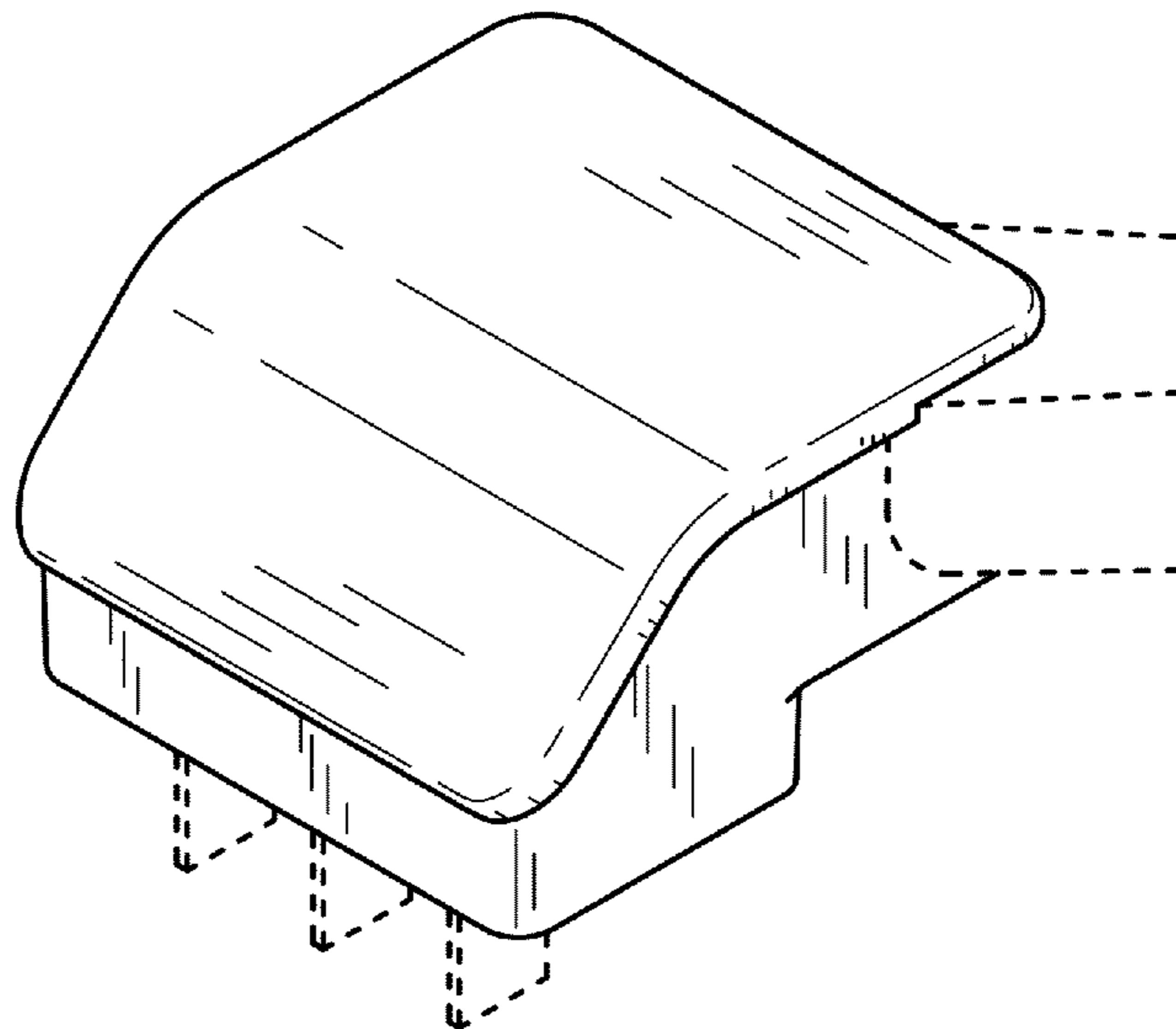
FIG. 1 is a perspective view of an electrical plug embodying the present invention;
FIG. 2 is a front view of the electrical plug;
FIG. 3 is a rear view of the electrical plug;
FIG. 4 is a first side view of the electrical plug;
FIG. 5 is a second side view of the electrical plug;
FIG. 6 is a top view of the electrical plug; and,
FIG. 7 is a bottom view of the electrical plug.
In the drawings, the broken lines are for the purpose of illustrating environment only and form no part of the claimed design.

1 Claim, 2 Drawing Sheets

(56) **References Cited**

U.S. PATENT DOCUMENTS

2,301,258 A	11/1942	Corlew	
D330,009 S	10/1992	Dickie	
D331,909 S	12/1992	Hollander et al.	
D354,941 S	1/1995	Lentz et al.	
D355,408 S	2/1995	Geis et al.	
5,567,181 A *	10/1996	Lentz et al.	439/694
D376,348 S	12/1996	Hedrick	
D378,586 S	3/1997	Hedrick	
D379,964 S	6/1997	Maddock et al.	
5,684,689 A *	11/1997	Hahn	363/146
D402,962 S *	12/1998	Hedrick	D13/138.2
D405,222 S	2/1999	Gilbert, Jr. et al.	



US D738,309 S

Page 2

(56)

References Cited

U.S. PATENT DOCUMENTS

8,708,722 B1 * 4/2014 Walliser et al. 439/172
D705,733 S * 5/2014 Zaslavsky et al. D13/137.2
D706,220 S * 6/2014 Zaslavsky et al. D13/137.2

D719,092 S * 12/2014 Huang D13/110
D721,037 S * 1/2015 Kelly D13/137.1
D731,966 S * 6/2015 Rabalais et al. D13/107
D732,472 S * 6/2015 Laffon et al. D13/110

* cited by examiner

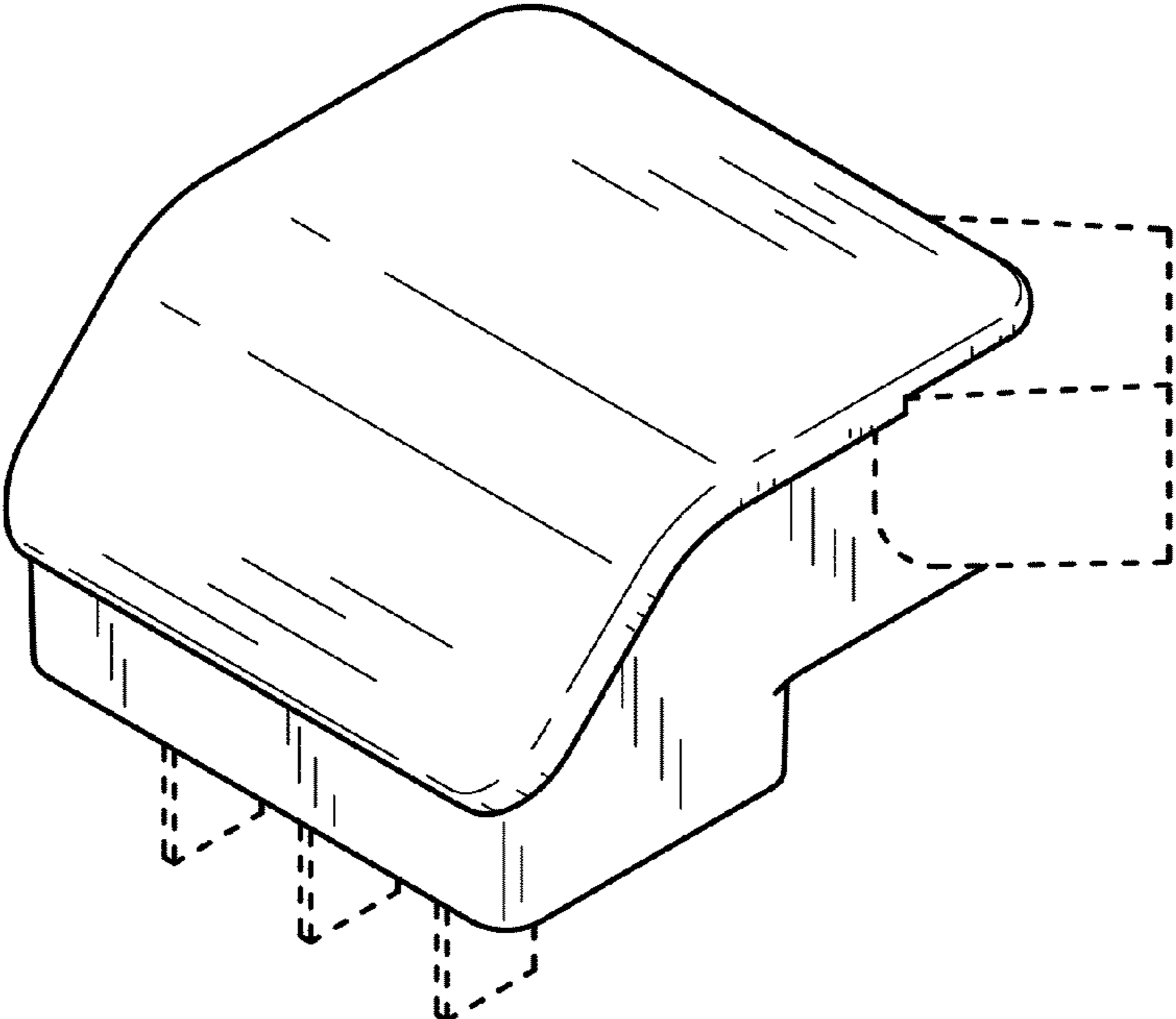


FIG. 1

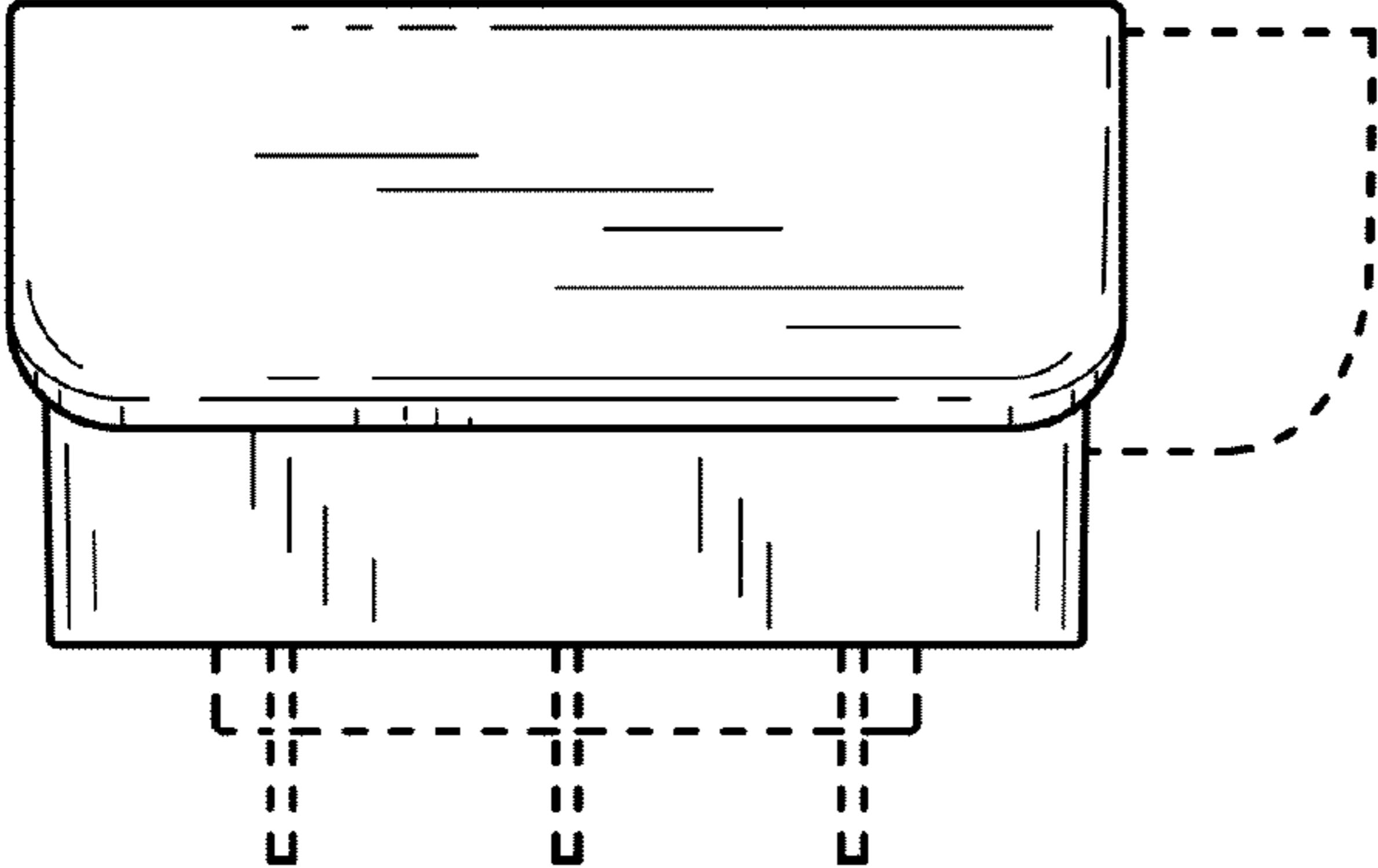


FIG. 2

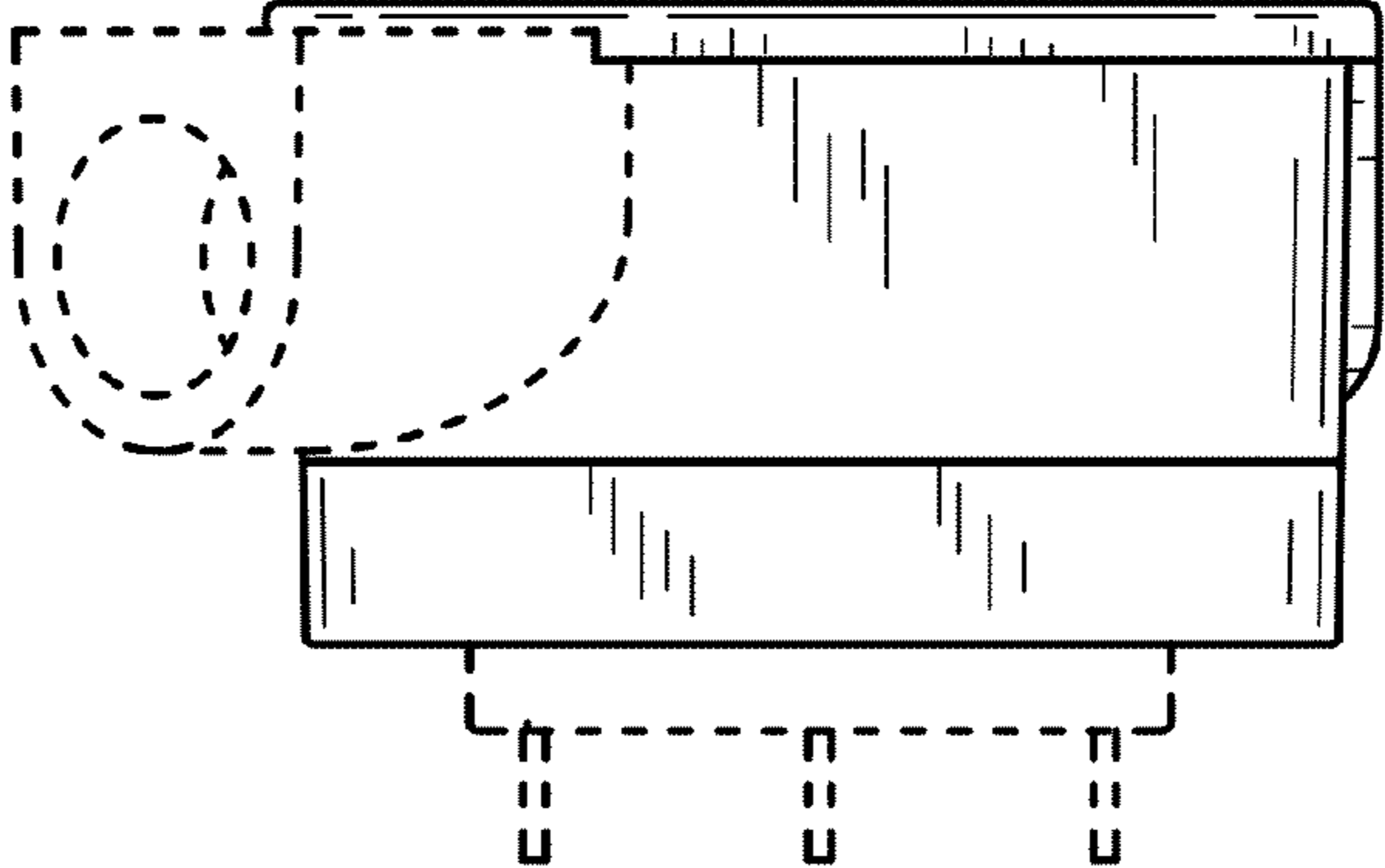


FIG. 3

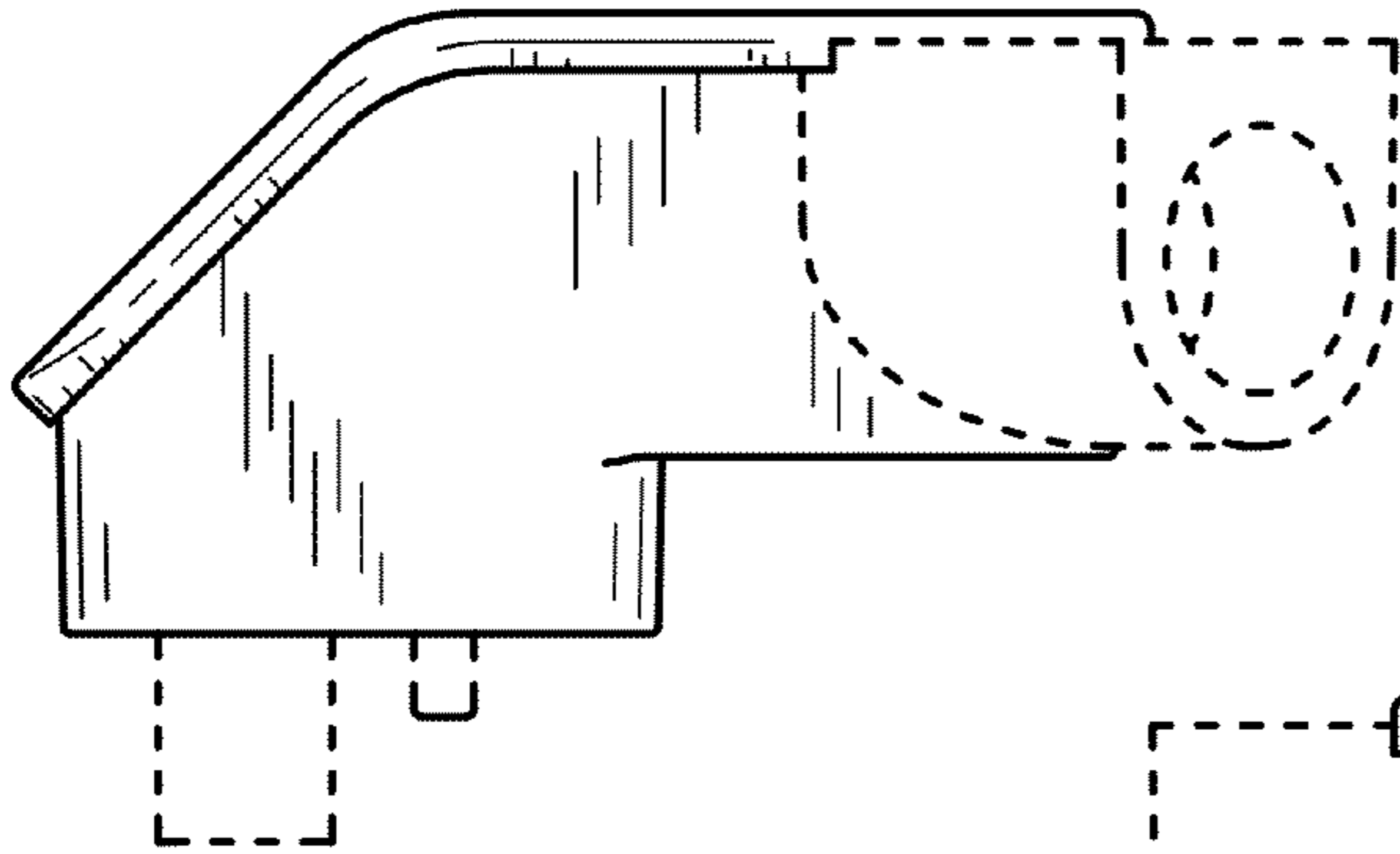


FIG. 4

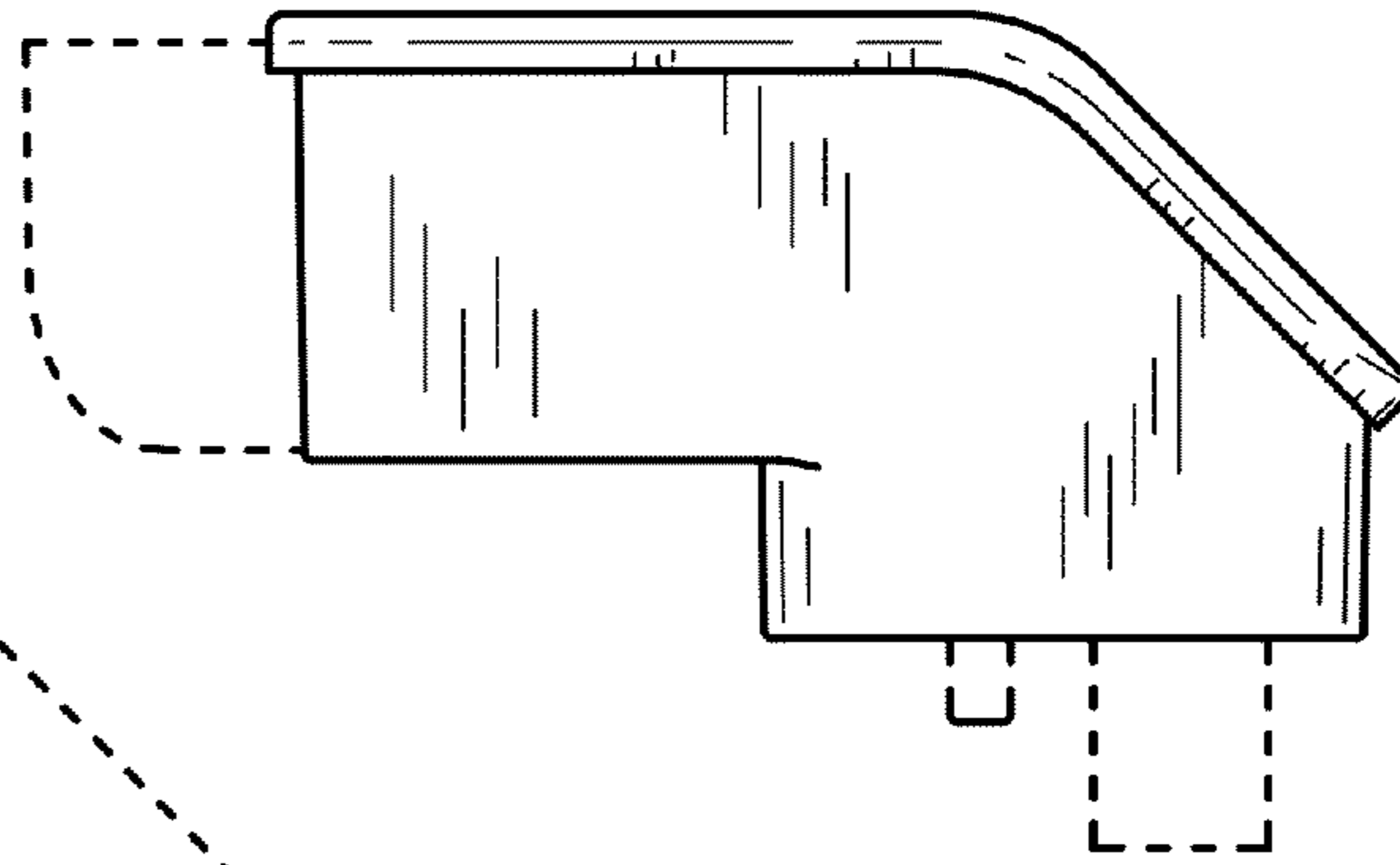


FIG. 5

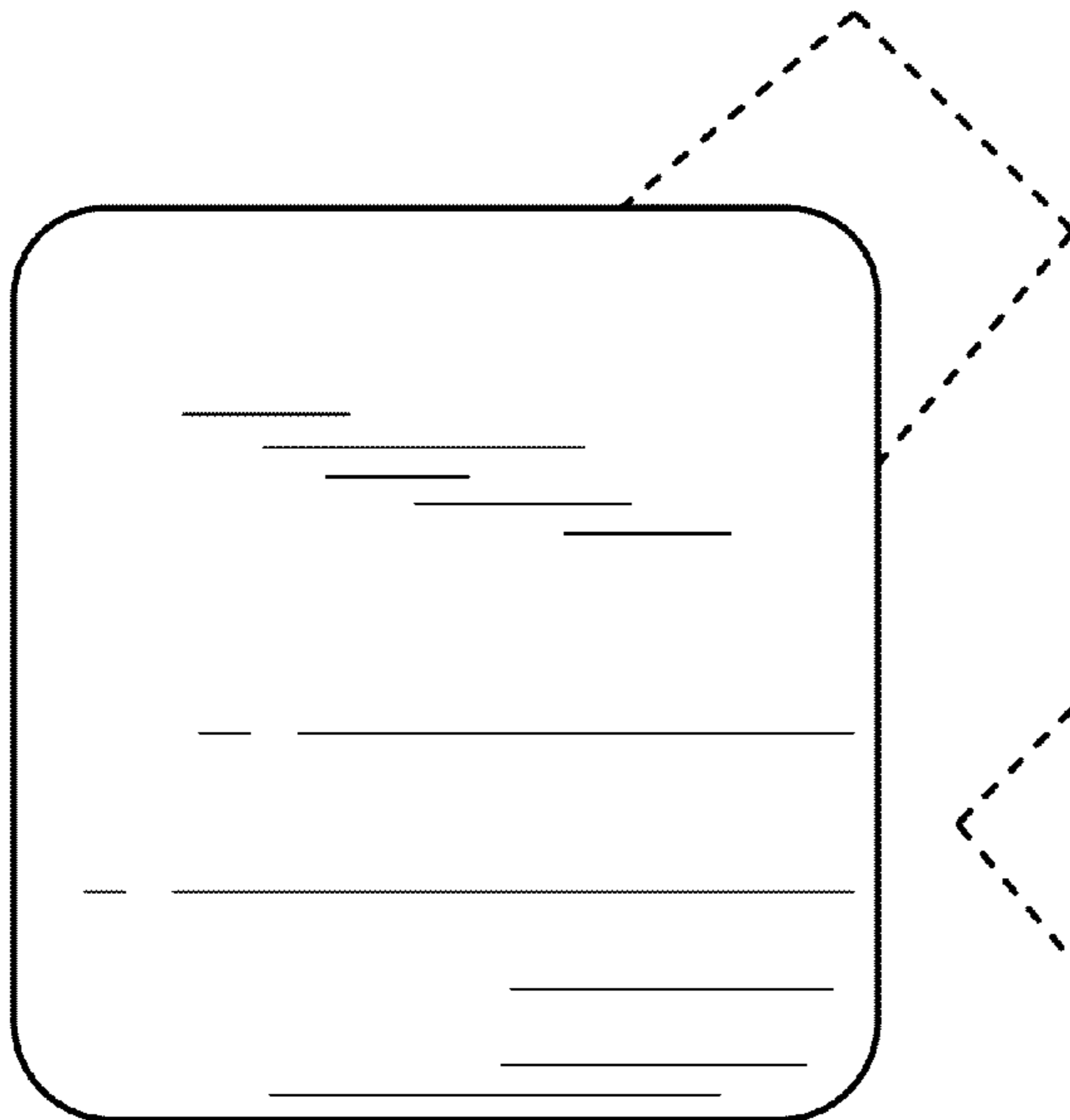


FIG. 6

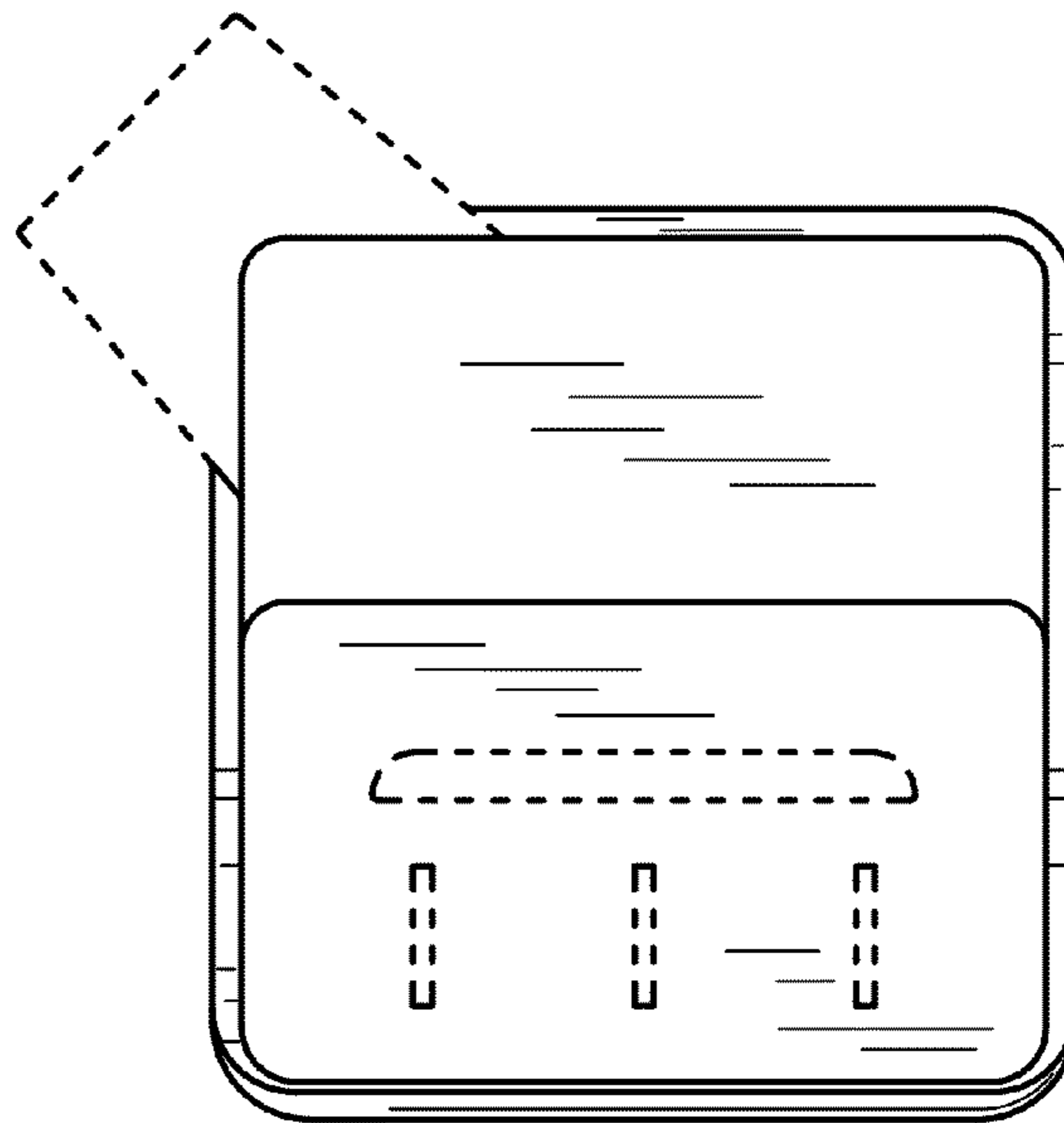


FIG. 7