

US00D738304S

(12) **United States Design Patent**
Kaishian et al.

(10) **Patent No.:** **US D738,304 S**

(45) **Date of Patent:** **** Sep. 8, 2015**

(54) **BUS CONNECTOR SYSTEM**

(71) Applicant: **ROCKWELL AUTOMATION TECHNOLOGIES, INC.**, Mayfield Heights, OH (US)

(72) Inventors: **Steven C Kaishian**, Wauwatosa, WI (US); **Jeremy J Keegan**, Kewaskum, WI (US); **Yogesh P Patel**, Grafton, WI (US); **Bruce W Weiss**, Milwaukee, WI (US)

(73) Assignee: **Rockwell Automation Technologies, Inc.**, Mayfield Heights, OH (US)

(**) Term: **14 Years**

(21) Appl. No.: **29/459,279**

(22) Filed: **Jun. 27, 2013**

(51) **LOC (10) Cl.** **13-02**

(52) **U.S. Cl.**
USPC **D13/110**

(58) **Field of Classification Search**
USPC D13/107, 110, 133, 146, 147, 154, 184, D13/199, 148, 156, 149; 439/607.01, 439/607.04, 607.17, 607.25, 607.34, 439/607.53, 660, 677, 680, 682, 686; 174/68.2, 84 C

See application file for complete search history.

(56) **References Cited**

U.S. PATENT DOCUMENTS

D313,393 S * 1/1991 Yamamoto D13/146
D323,141 S * 1/1992 Sueyoshi et al. D13/133

5,358,427 A * 10/1994 Miwa 439/595
D455,126 S * 4/2002 Wu D13/147
D460,419 S * 7/2002 Zielke et al. D13/147
D465,766 S * 11/2002 Lee et al. D13/147
D494,546 S * 8/2004 Nurdogan D13/159
D532,378 S * 11/2006 Kesler D13/147
D557,212 S * 12/2007 Huang et al. D13/120
D559,181 S * 1/2008 Yan D13/120
D560,611 S * 1/2008 Iwao et al. D13/147
D589,897 S * 4/2009 Huang et al. D13/147
D595,226 S * 6/2009 Jidaisho D13/110
D611,913 S * 3/2010 Rupert D13/154
D625,269 S * 10/2010 So D13/147

* cited by examiner

Primary Examiner — Derrick Holland

Assistant Examiner — Jennifer O King

(74) *Attorney, Agent, or Firm* — Fletcher Yoder, P.C.

(57) **CLAIM**

The ornamental design for a bus connector system, as shown and described.

DESCRIPTION

FIG. 1 is a front top perspective view of a bus connector system;

FIG. 2 is a top plan view thereof;

FIG. 3 is a bottom plan view thereof;

FIG. 4 is a left side elevation view thereof;

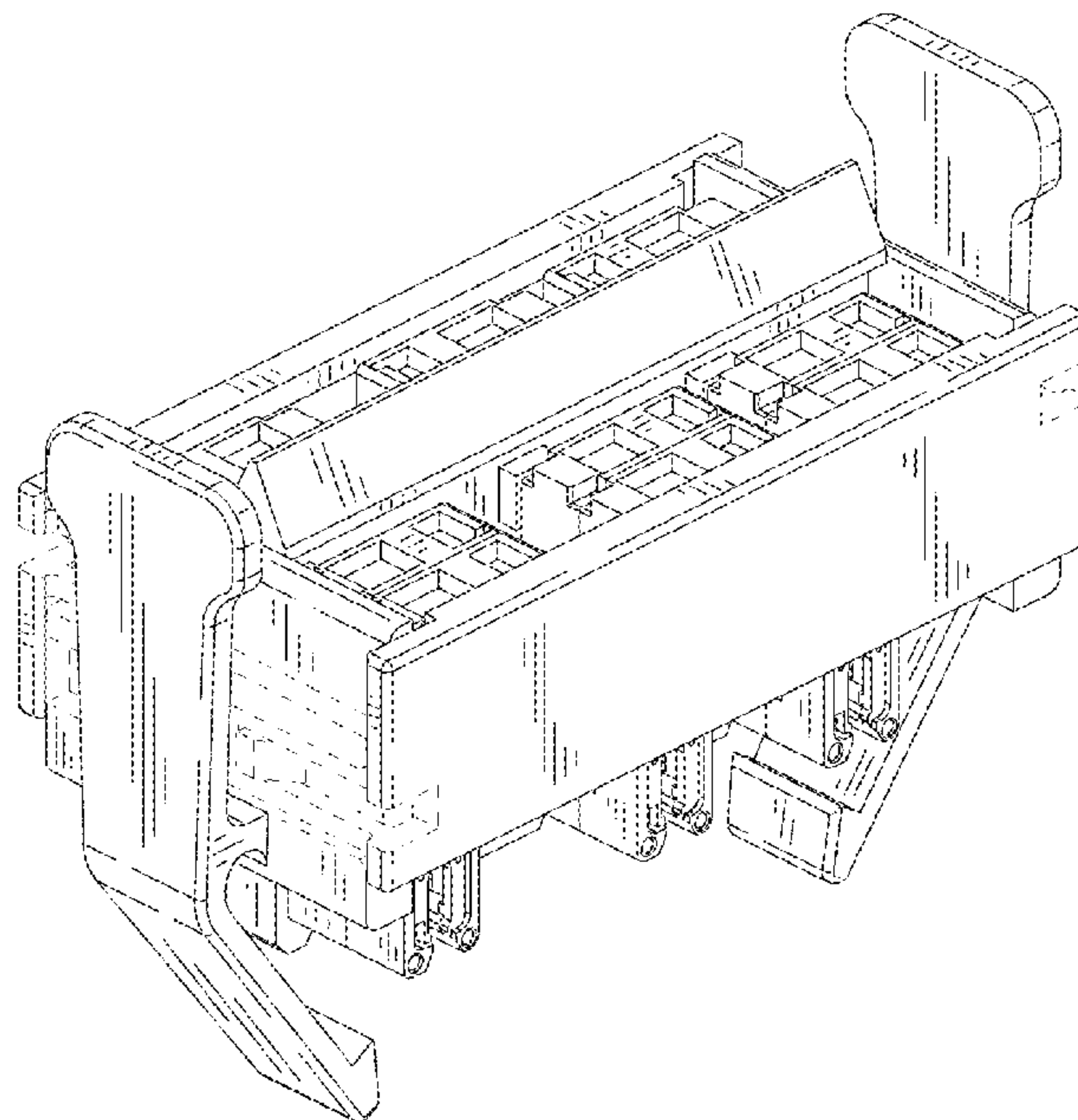
FIG. 5 is a right side elevation view thereof;

FIG. 6 is a front side elevation view thereof; and,

FIG. 7 is a rear side elevation view thereof.

The broken lines shown represent unclaimed subject matter and form no part of the claimed design.

1 Claim, 4 Drawing Sheets



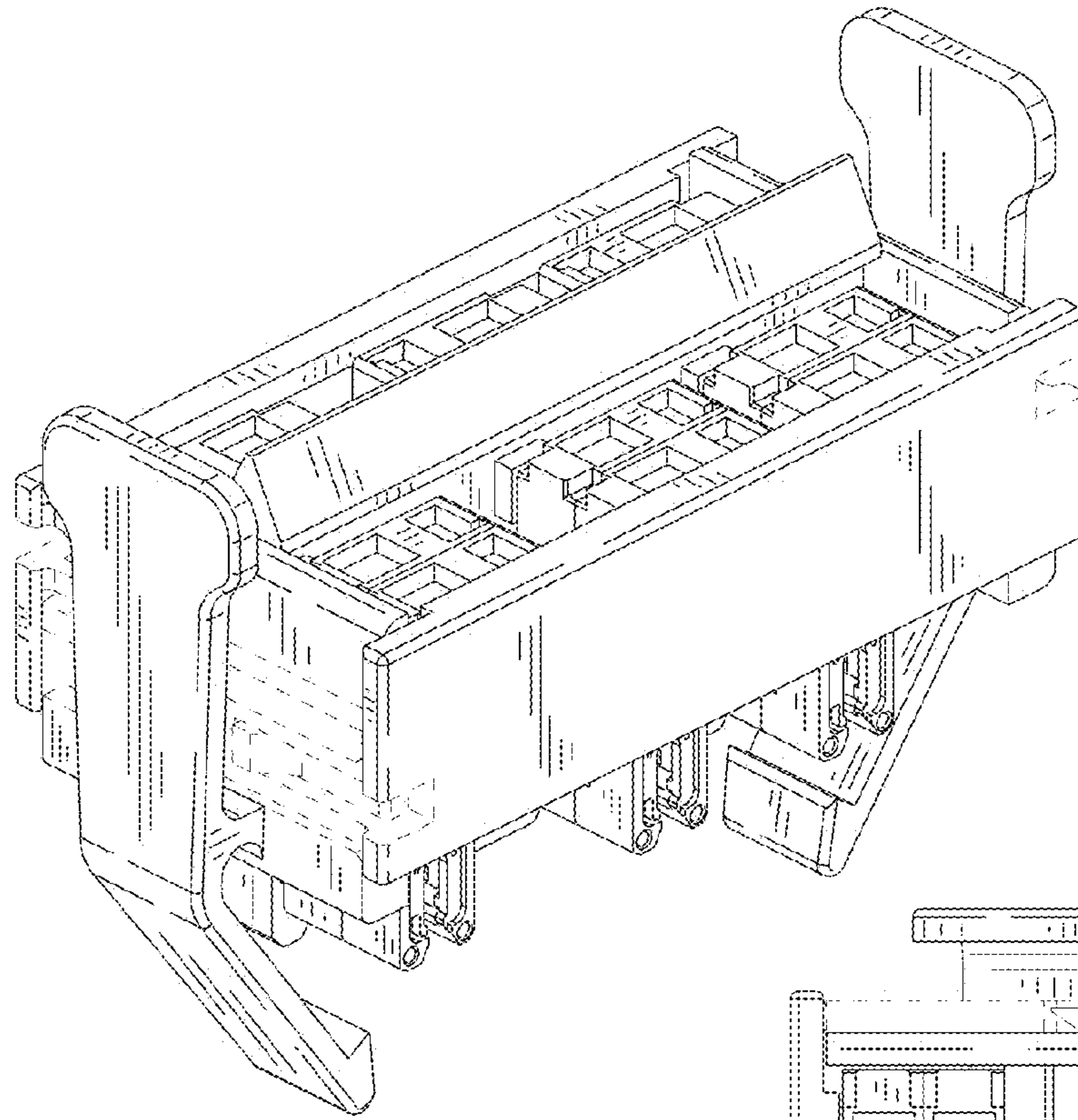


FIG. 1

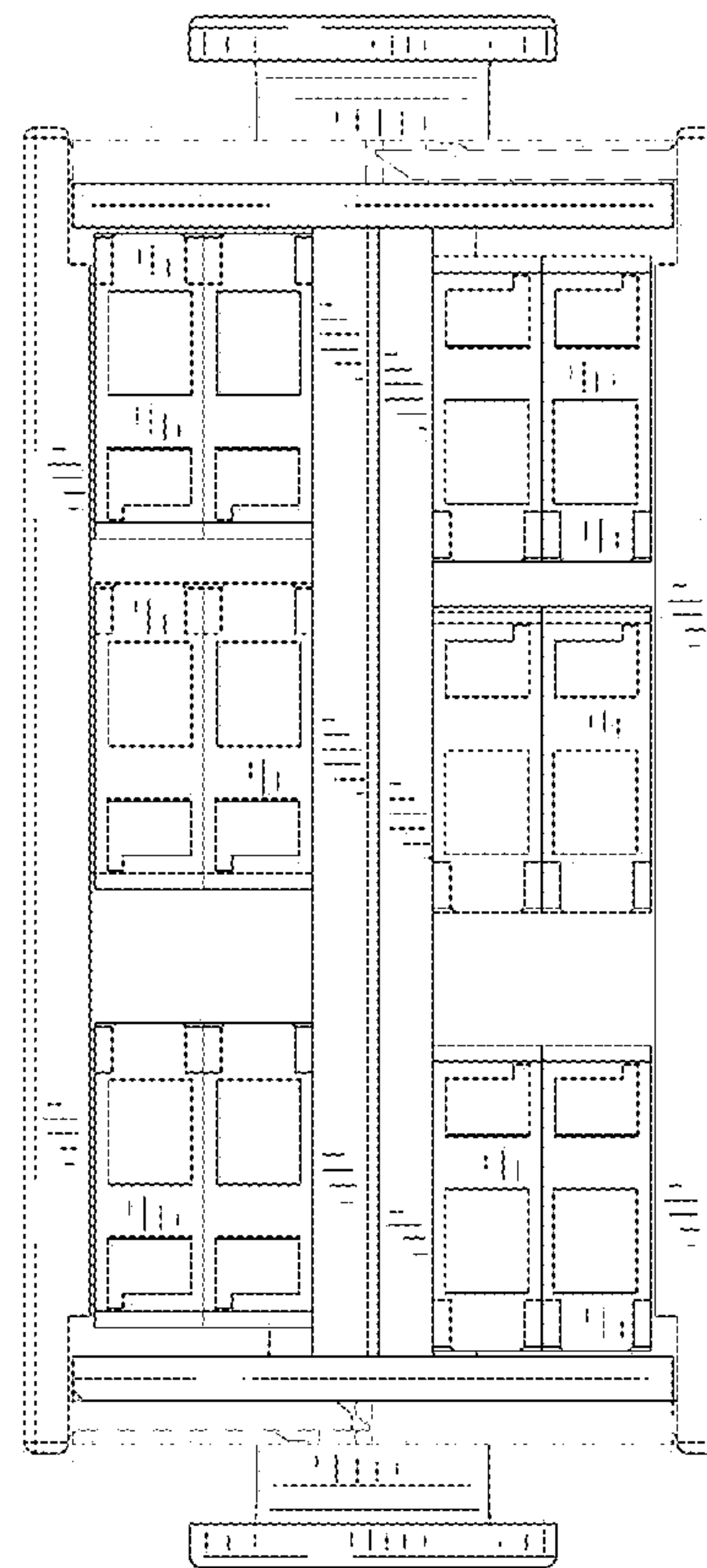


FIG. 2

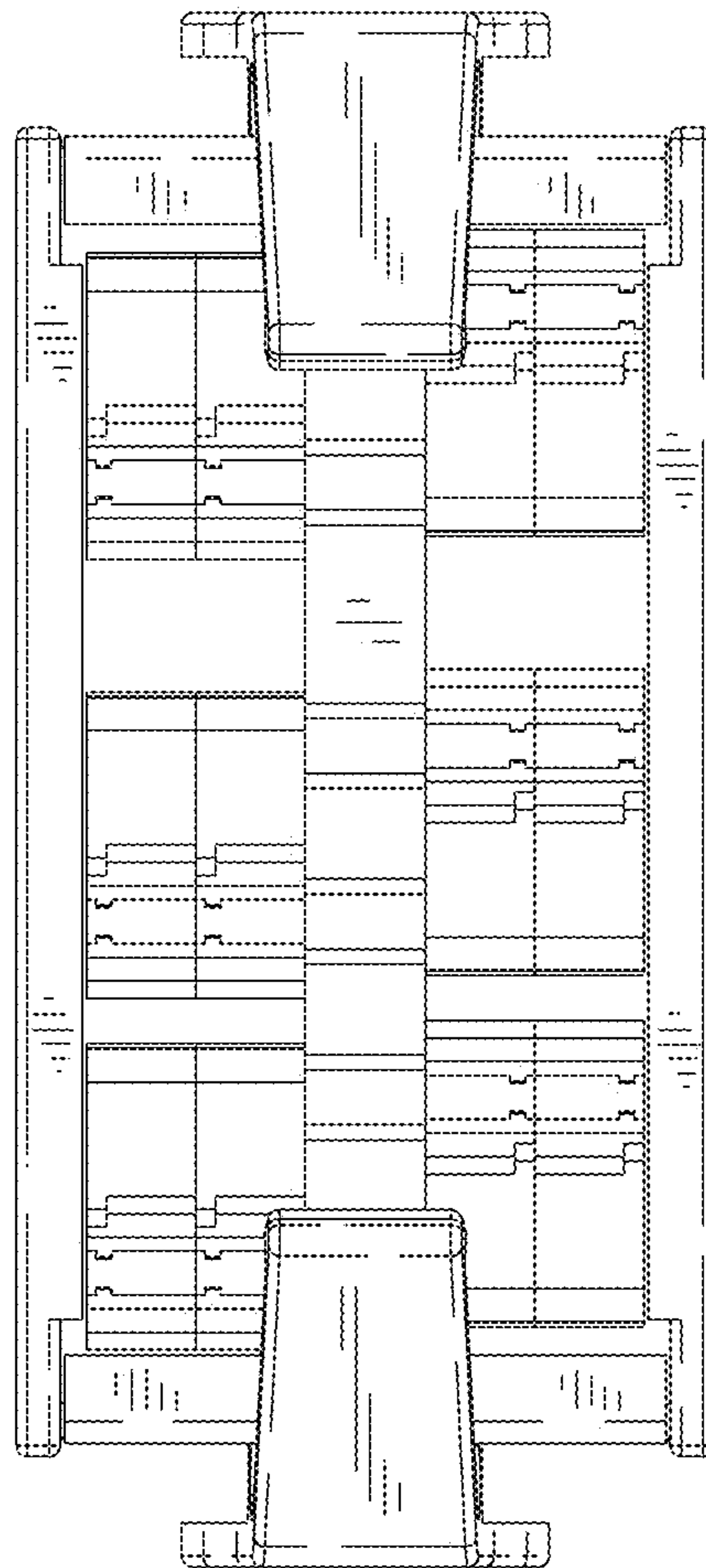


FIG. 3

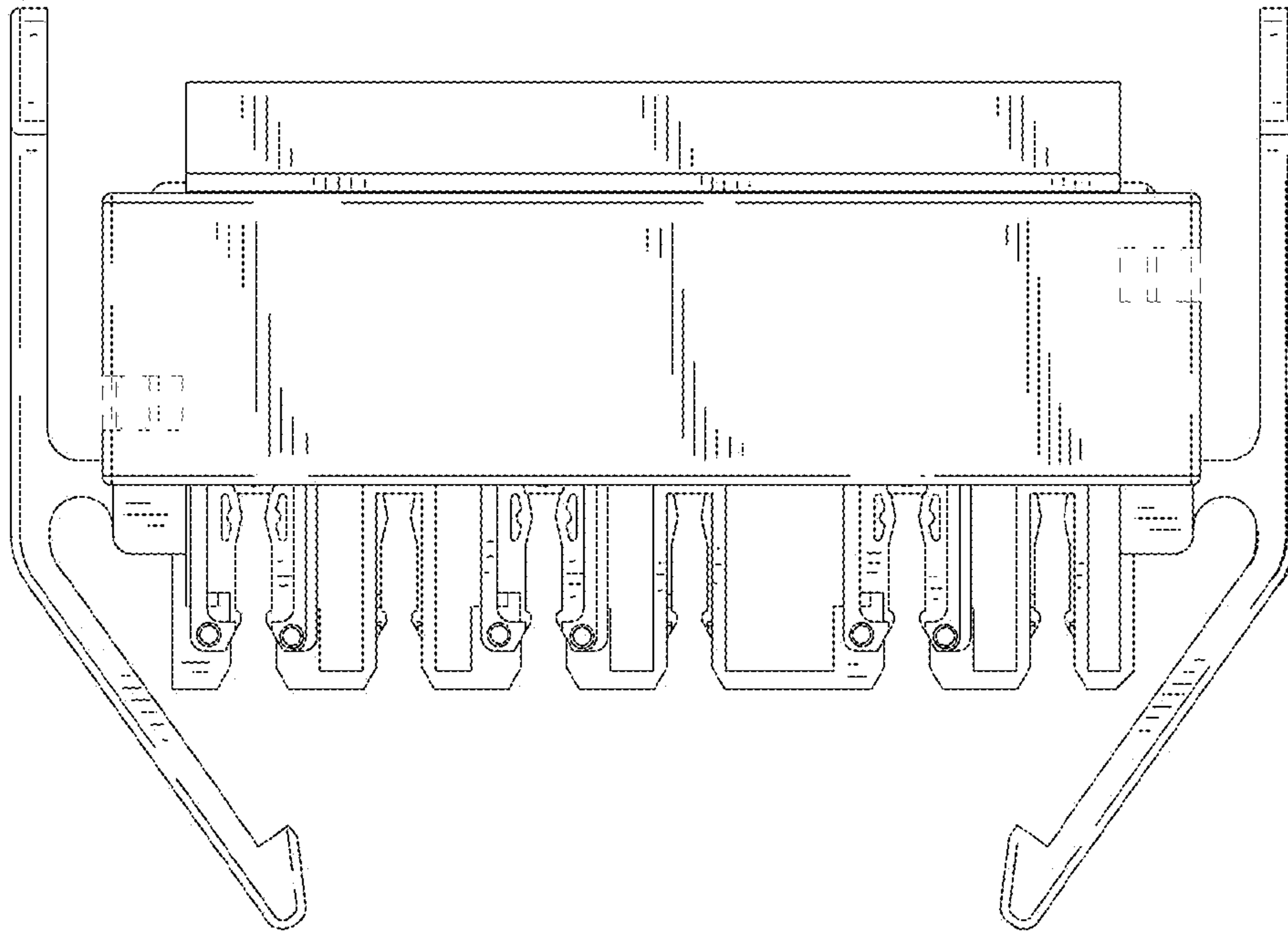


FIG. 4

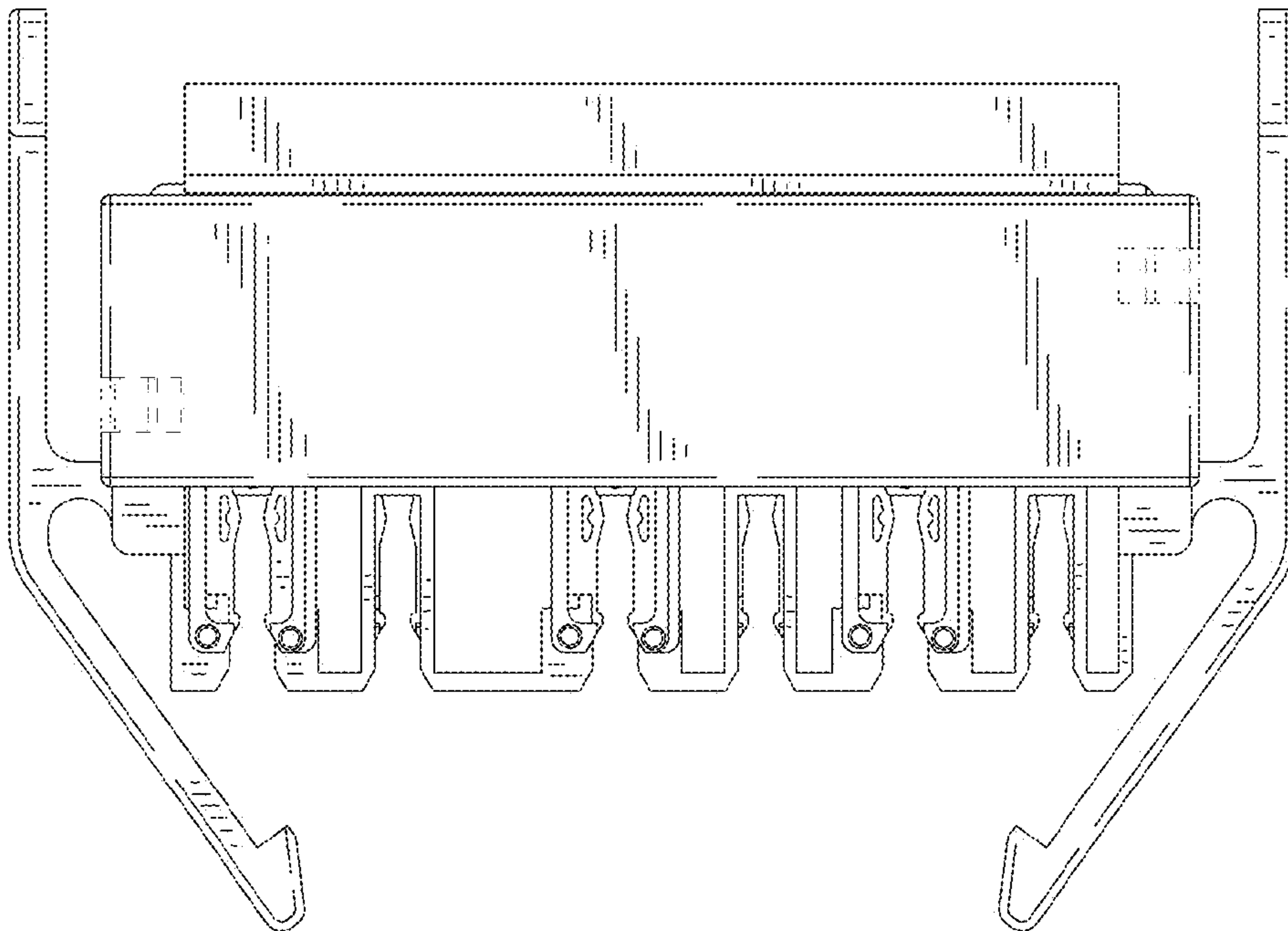


FIG. 5

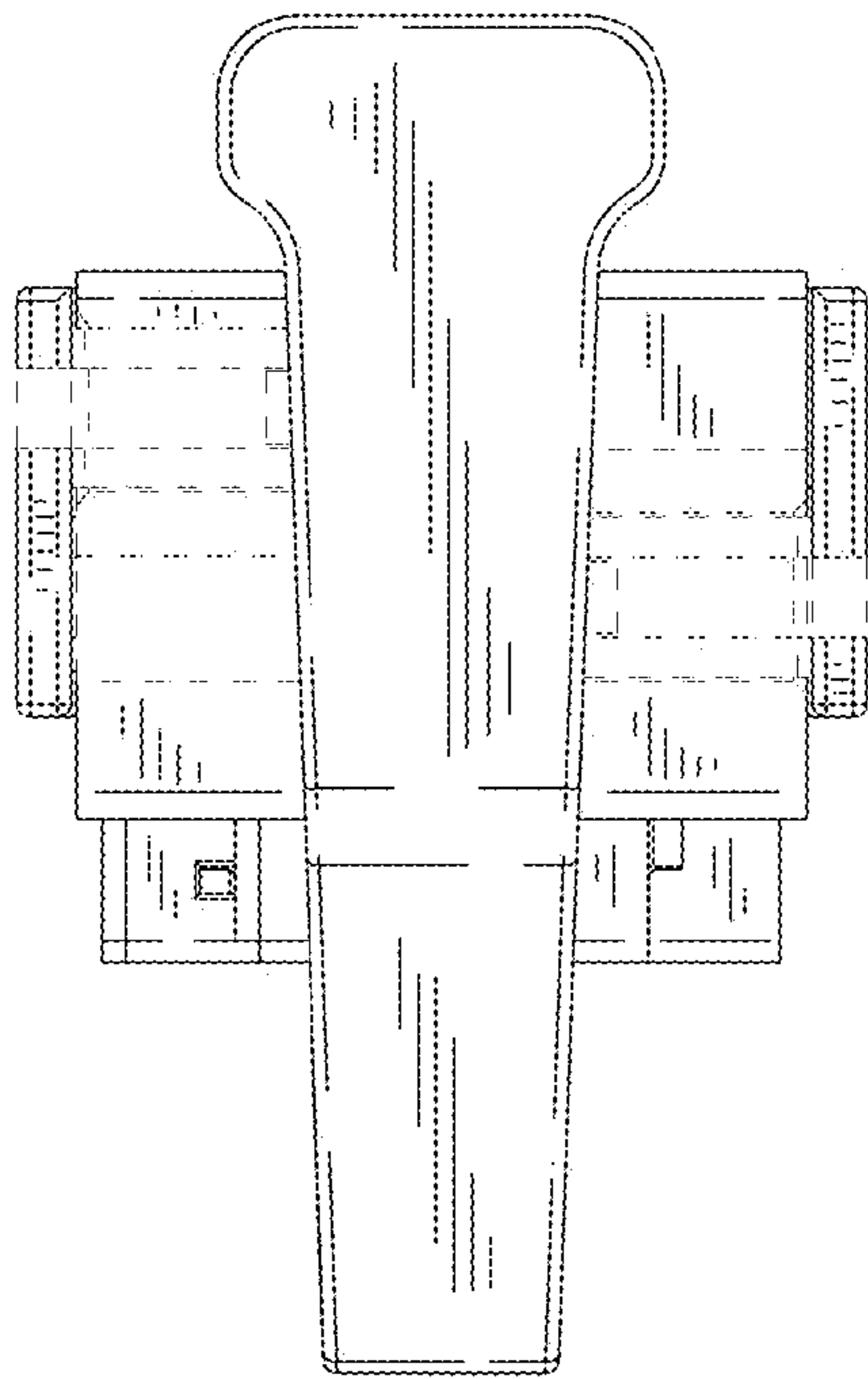


FIG. 6

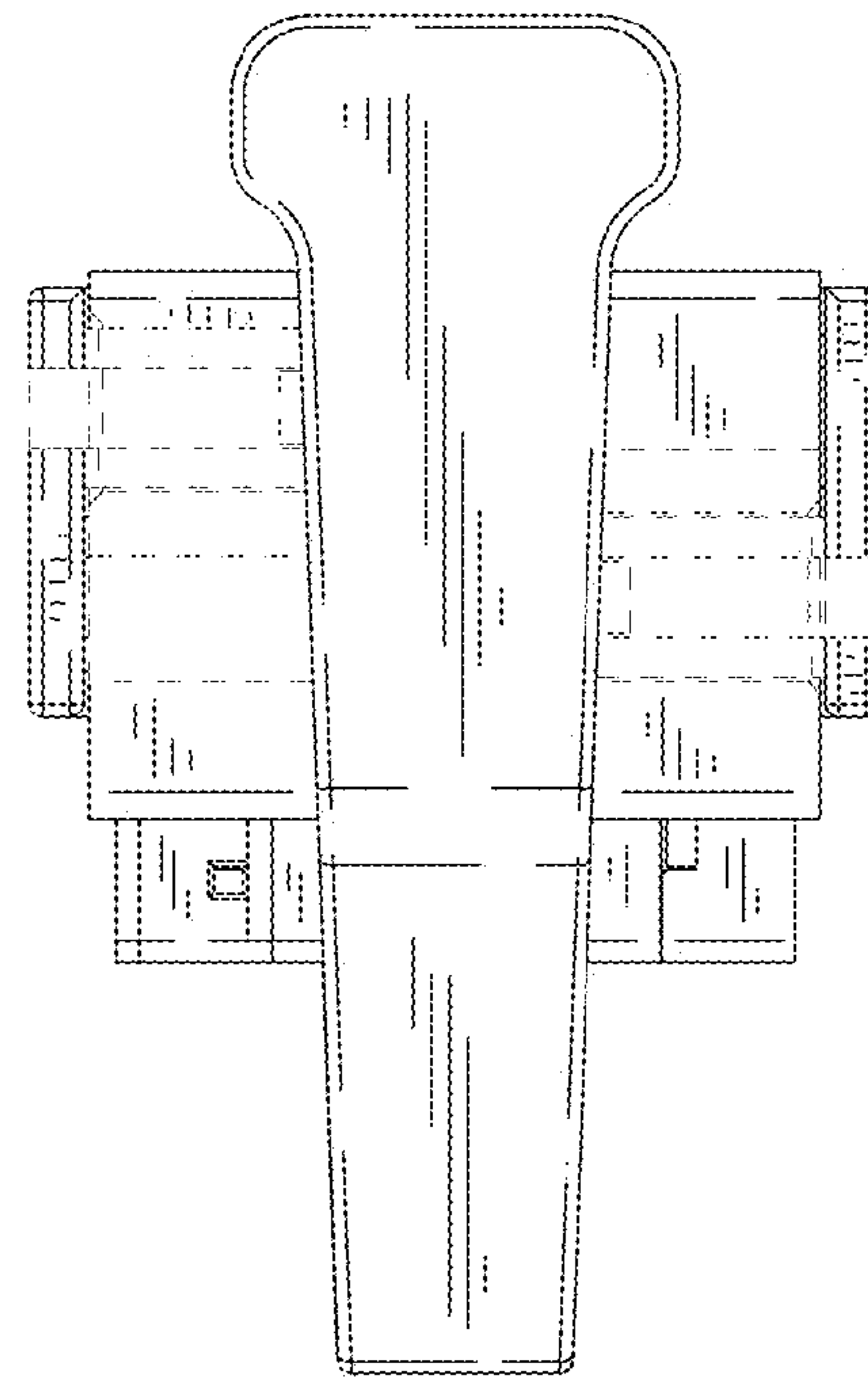


FIG. 7