

US00D738303S

(12) **United States Design Patent**
Symons

(10) **Patent No.:** **US D738,303 S**
(45) **Date of Patent:** **** Sep. 8, 2015**

(54) **CHARGING DEVICE**
(71) Applicant: **BLUELOUNGE PTE. LTD.**, Wilkie Edge (SG)
(72) Inventor: **Dominic Symons**, Wilkie Edge (SG)
(73) Assignee: **Bluelounge Pte Ltd**, Wilkie Edge (SG)
(**) Term: **14 Years**
(21) Appl. No.: **29/523,207**
(22) Filed: **Apr. 7, 2015**
(51) **LOC (10) Cl.** **13-02**
(52) **U.S. Cl.**
USPC **D13/108**
(58) **Field of Classification Search**
USPC D13/107-110, 118-119, 182, 199;
D14/251, 253, 432, 434; 320/107-115
CPC Y02E 60/12; Y02T 90/14; Y02T 90/122;
Y02T 90/128; Y02T 90/163; H02J 7/025;
H02J 7/0042; H02J 7/0044; H02J 7/0045;
H02J 7/0003; H01F 38/14; H01R 13/6675;
H01M 2/1022; H01M 2/1055; H01M 10/44;
H01M 10/46; H01M 10/425; B60L 11/182
See application file for complete search history.

7,471,060 B2 12/2008 Raghunath
D585,898 S * 2/2009 Skurdal D14/434
D602,858 S * 10/2009 Ellis et al. D13/108
D620,884 S * 8/2010 Lee et al. D13/108
D625,262 S * 10/2010 Lee et al. D13/118
D627,718 S * 11/2010 Houghton D13/108
D649,932 S 12/2011 Symons
D654,431 S * 2/2012 Stephanchick et al. D13/108
D659,093 S * 5/2012 Schmid et al. D13/108
8,212,521 B2 7/2012 Choi
D680,069 S 4/2013 Symons
D680,541 S * 4/2013 Lee et al. D14/434
D694,182 S * 11/2013 Lee et al. D13/108
8,620,395 B2 12/2013 Kang
D697,027 S * 1/2014 Ho D13/108

(Continued)

OTHER PUBLICATIONS

9to5mac.com, Mar. 24, 2015, Internet printout: <http://9to5mac.com/community/apple-watch-charging-dock-stand-preorder/>.

(Continued)

Primary Examiner — Rosemary K Tarcza
(74) *Attorney, Agent, or Firm* — Decisis LLP

(57) **CLAIM**
The ornamental design for a charging device, as shown and described.

(56) **References Cited**

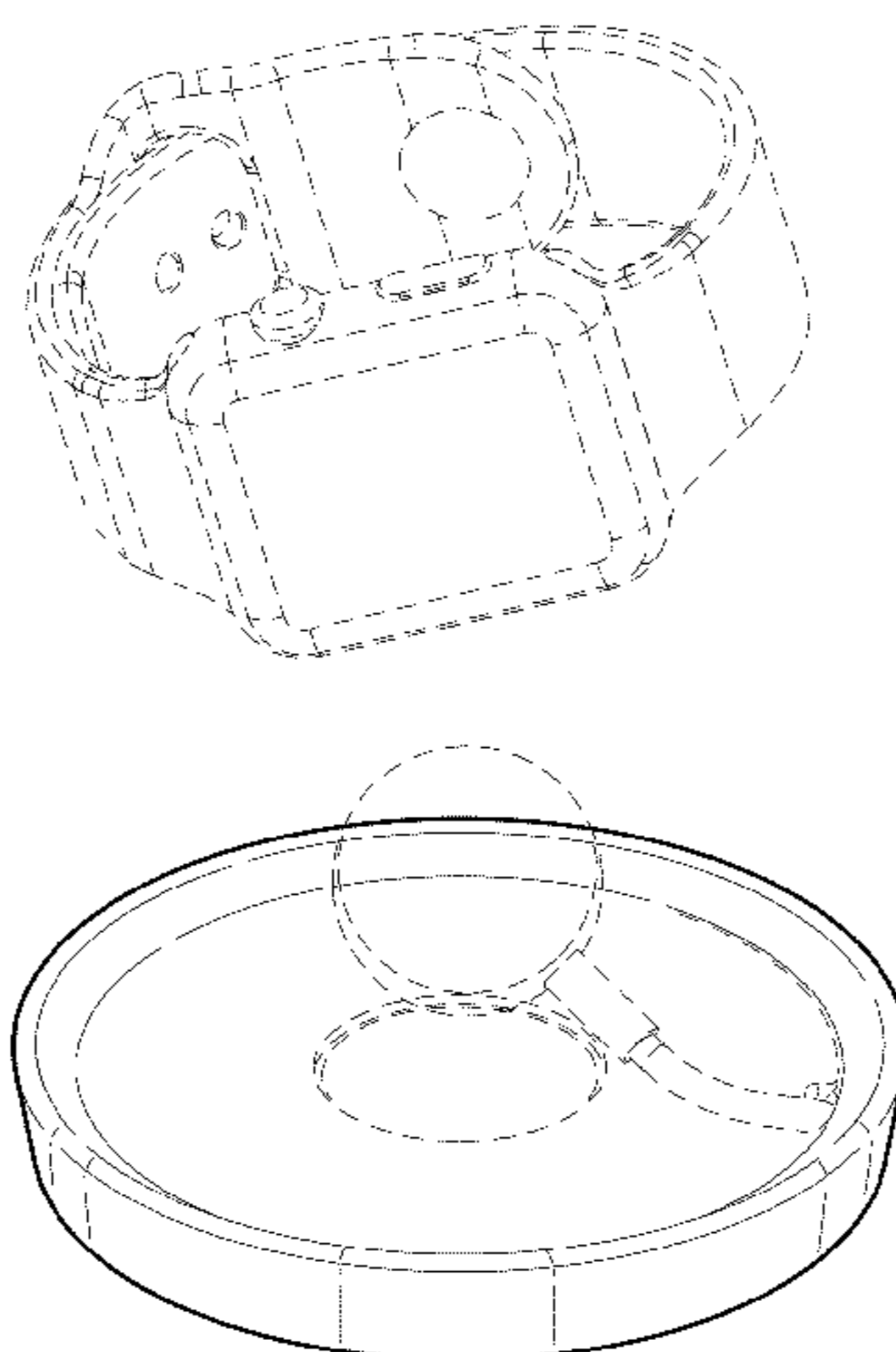
DESCRIPTION

U.S. PATENT DOCUMENTS

D221,081 S * 7/1971 Kahn D13/110
5,713,749 A 2/1998 Wu
6,211,649 B1 4/2001 Matsuda
D461,813 S * 8/2002 Chang D14/432
D508,458 S * 8/2005 Solland et al. D13/108
D516,023 S 2/2006 Quinn
D516,025 S * 2/2006 Quinn D13/108
D521,927 S * 5/2006 Franck et al. D13/108
D526,973 S * 8/2006 Gates et al. D13/184
D527,704 S * 9/2006 Rodarte D13/108
D530,717 S * 10/2006 Mori et al. D14/434

FIG. 1 is a perspective view embodying the inventive design;
FIG. 2 is a side view thereof;
FIG. 3 is a top view thereof;
FIG. 4 is a bottom view thereof; and,
FIG. 5 is a perspective view of an alternative version of the design of FIG. 1.
The broken line showing is for the purpose of illustrating portions of the article or environmental structure and forms no part of the claimed design.

1 Claim, 5 Drawing Sheets



(56)

References Cited

U.S. PATENT DOCUMENTS

D697,475 S * 1/2014 Regole D13/108
 D700,571 S * 3/2014 Guccione et al. D13/108
 D701,831 S * 4/2014 Park et al. D13/108
 D704,634 S * 5/2014 Eidelman et al. D13/108
 D706,212 S * 6/2014 Zwierstra et al. D13/107
 D711,318 S 8/2014 Xinfang
 D717,244 S * 11/2014 Reishus et al. D13/108
 D718,233 S * 11/2014 Aumiller et al. D13/108
 D718,234 S * 11/2014 Rautiainen D13/108
 D718,236 S * 11/2014 Murray D13/108
 D718,712 S * 12/2014 Aumiller et al. D13/108
 D720,289 S * 12/2014 Chiang et al. D13/108
 D722,959 S * 2/2015 Bulgarov et al. D13/108
 D722,962 S * 2/2015 Kim et al. D13/108
 D725,034 S * 3/2015 Chen D13/108
 D727,260 S * 4/2015 Aumiller et al. D13/108
 2009/0015198 A1 1/2009 Brandenburg
 2009/0102419 A1* 4/2009 Gwon et al. 320/108
 2011/0053666 A1 3/2011 Kang
 2012/0062179 A1 3/2012 Kuo
 2012/0104999 A1* 5/2012 Tegatz et al. 320/108
 2012/0196658 A1 8/2012 Sun

2012/0262116 A1 10/2012 Ferber
 2013/0150134 A1 6/2013 Pliner
 2013/0257348 A1 10/2013 Baluha
 2014/0117926 A1* 5/2014 Hwu et al. 320/108
 2014/0125283 A1 5/2014 Yang
 2015/0091500 A1* 4/2015 Claudepierre 320/108

OTHER PUBLICATIONS

forums.imore.com, Mar. 24, 2015, Internet printout: <http://forums.imore.com/apple-watch/316241-apple-watch-iphone-charging-station-ideas.html>.
 dodocase.com, Mar. 24, 2015, Internet printout: <http://www.dodocase.com/products/apple-watch-charging-stand>.
 getrest.co, Mar. 24, 2015, Internet printout: <http://getrest.co/>.
 creativebloq.com, Mar. 24, 2015, Internet printout: <http://www.creativebloq.com/apple/concept-watch-packaging-stand-21512983>.
 gadgetsin.com, Mar. 24, 2015, Internet printout: <http://gadgetsin.com/the-trio-apple-watch-charging-station.htm>.
 indiegogo.com, Mar. 24, 2015, Internet printout: <https://www.indiegogo.com/projects/watchdock-versatile-charging-for-apple-watch>.

* cited by examiner

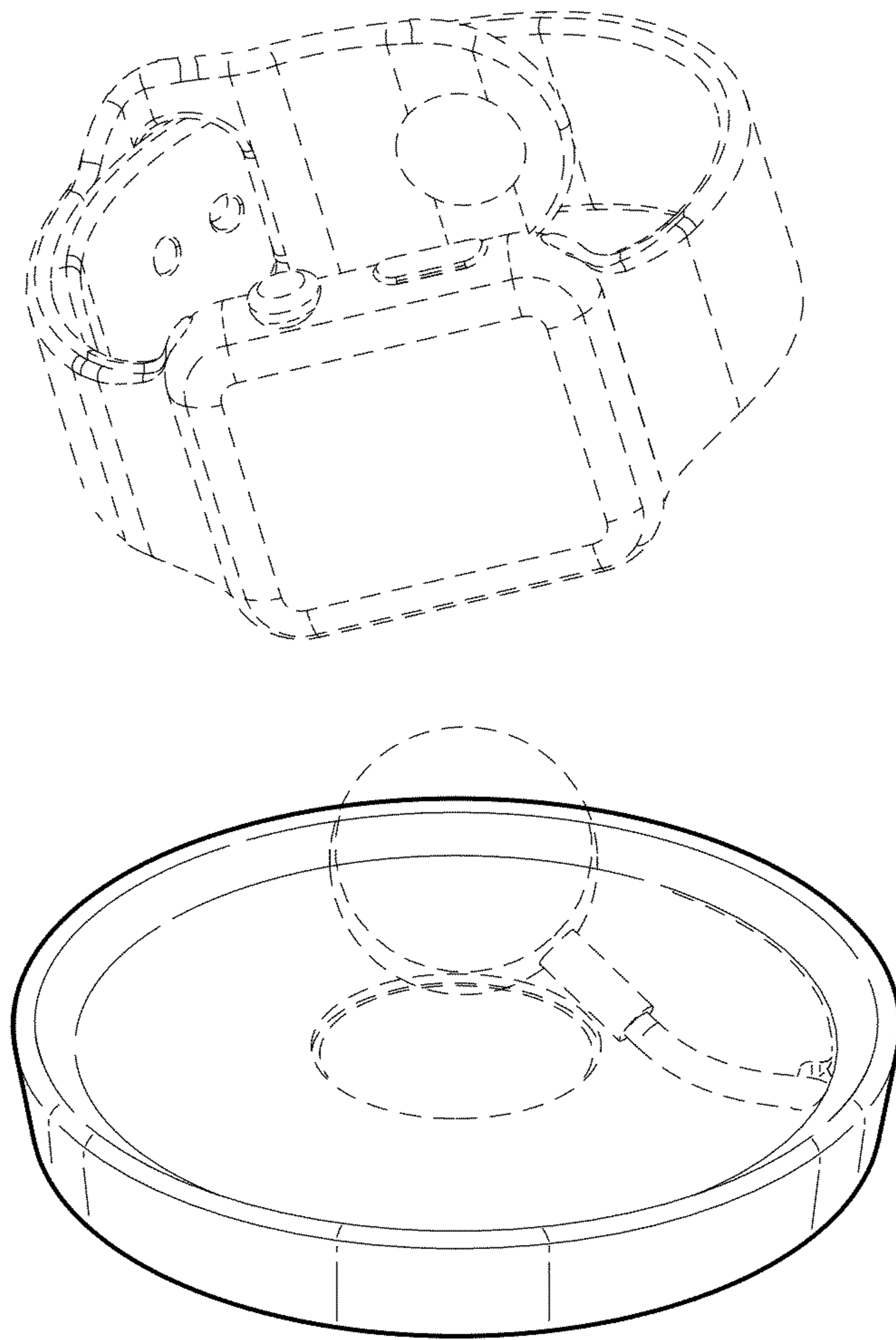


FIG. 1

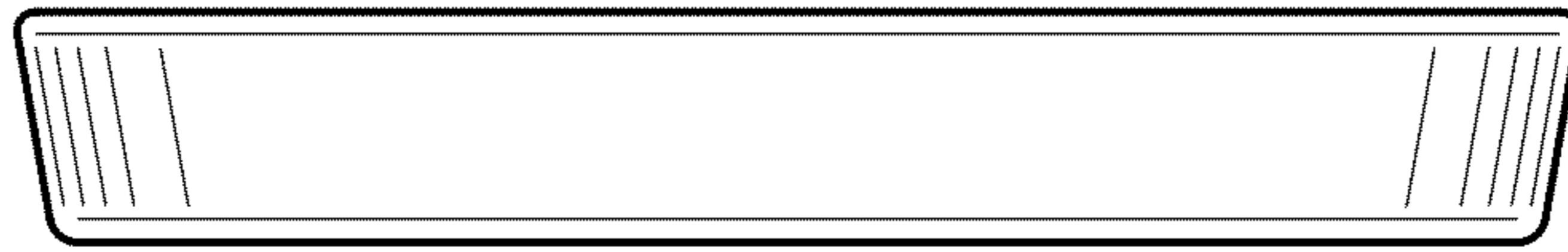


FIG. 2

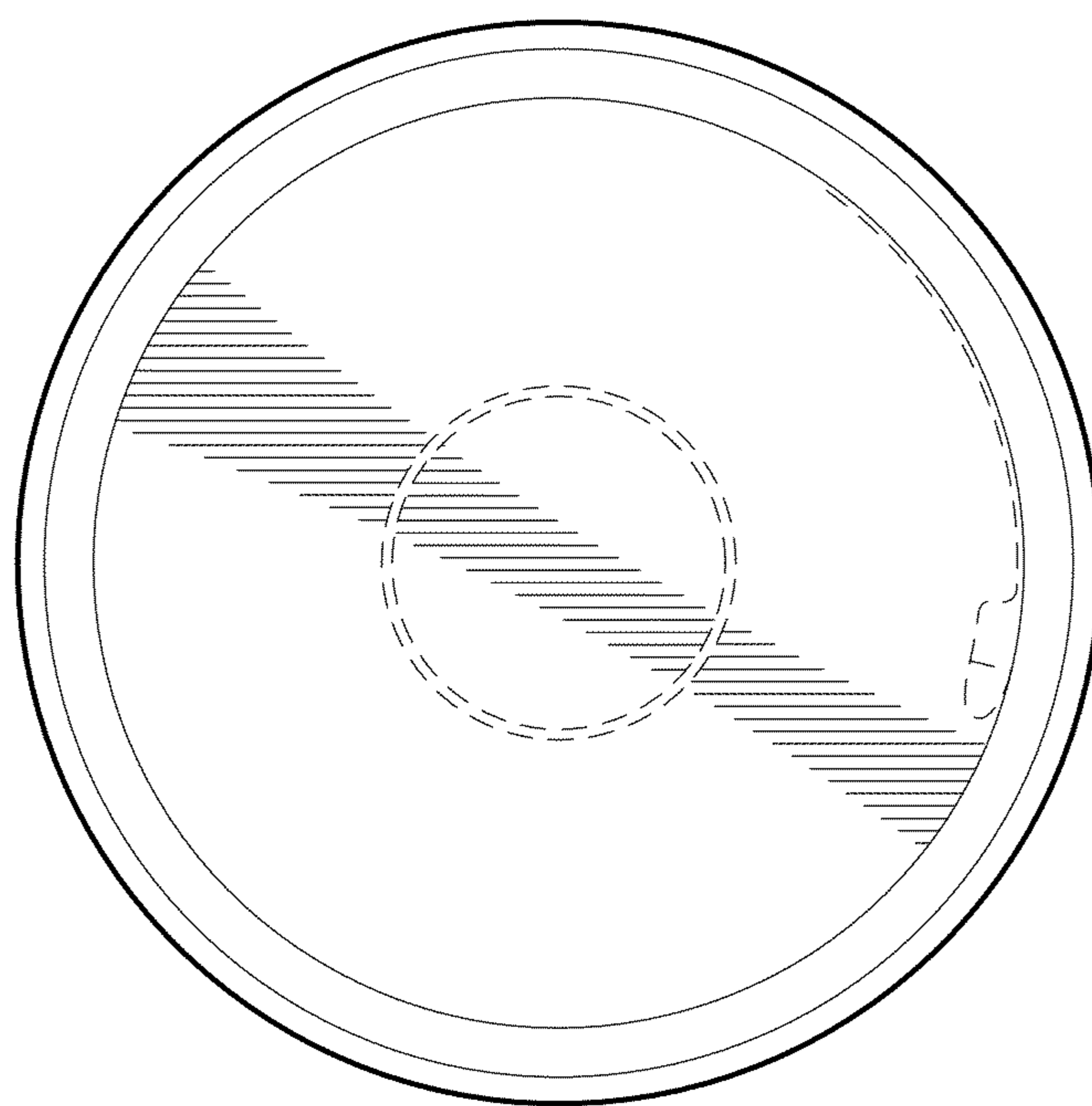


FIG. 3

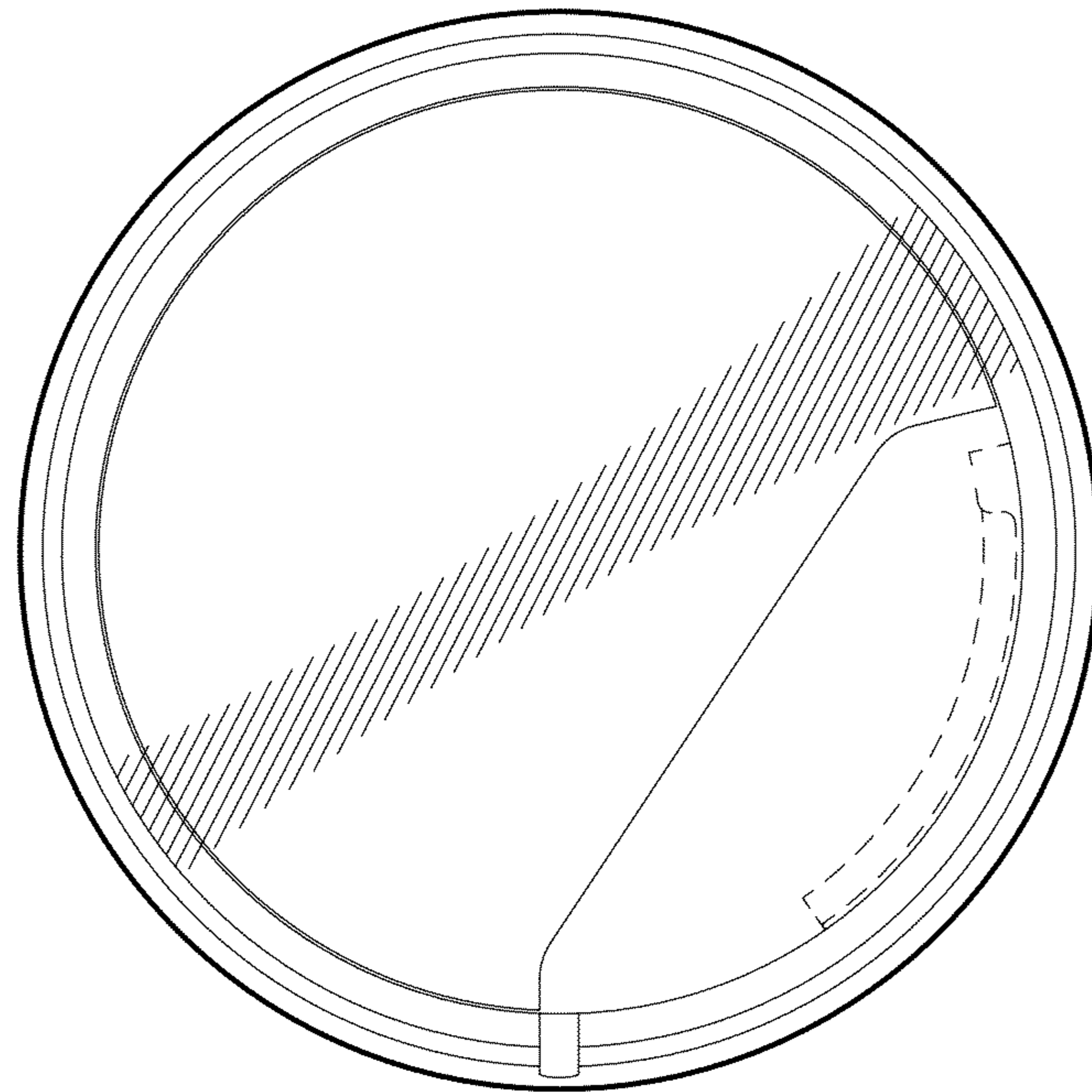


FIG. 4

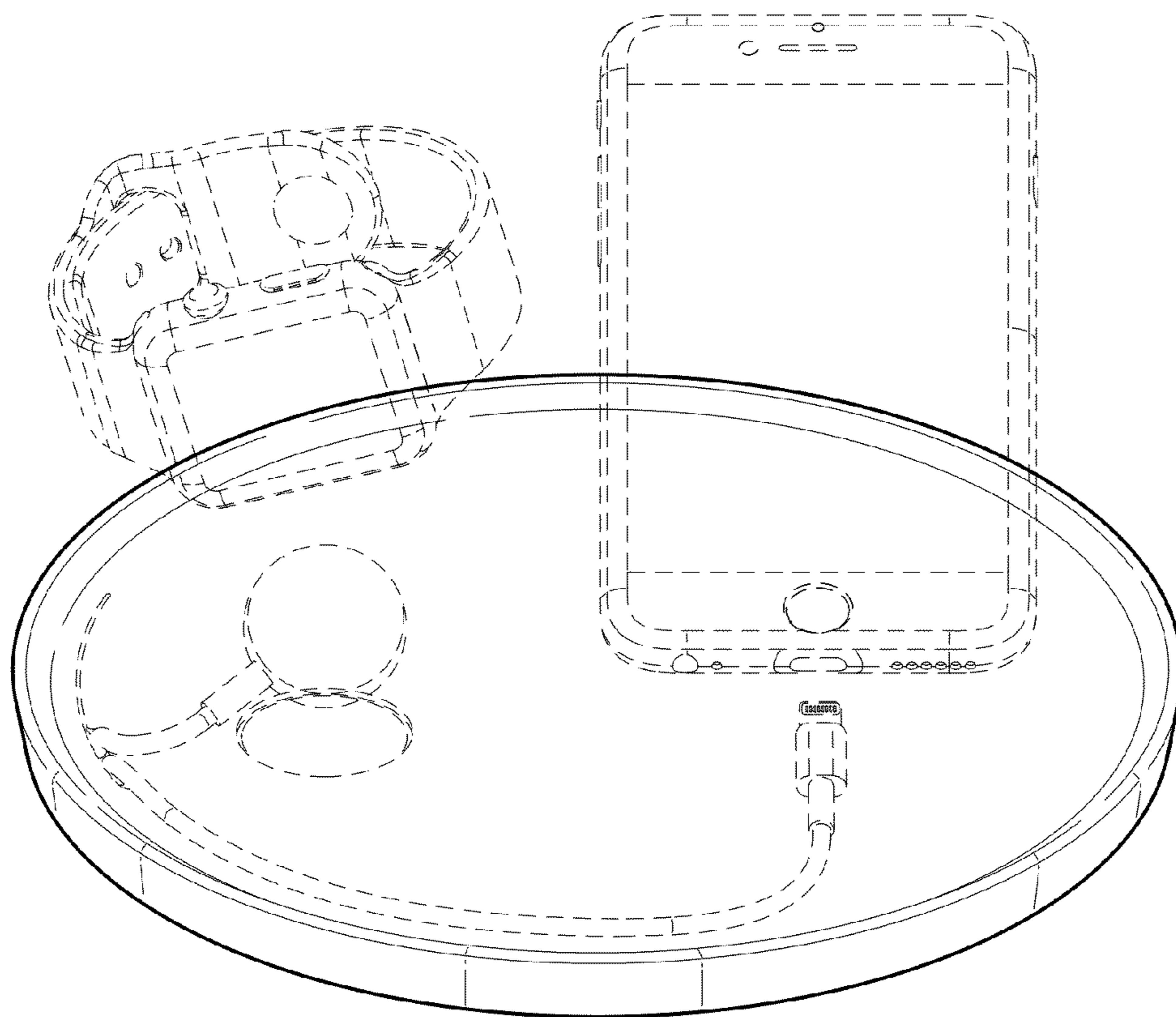


FIG. 5