



US00D738302S

(12) **United States Design Patent**
Jeong et al.

(10) **Patent No.:** **US D738,302 S**
(45) **Date of Patent:** **** Sep. 8, 2015**

(54) **PORTABLE CHARGER**

(71) Applicant: **Motorola Mobility LLC**, Libertyville, IL (US)
(72) Inventors: **Hae Rim Jeong**, Chicago, IL (US); **Daniel T Berg**, Gilroy, CA (US); **Carl A Cephess**, Santa Clara, CA (US); **Christopher B Houghton**, Chicago, IL (US); **Ryan P Rye**, Lawrenceville, GA (US); **Max K Yoshimoto**, Sunnyvale, CA (US); **Mark D Zaveson**, Antioch, IL (US)

(73) Assignee: **Motorola Mobility LLC**, Chicago, IL (US)

(**) Term: **14 Years**

(21) Appl. No.: **29/478,454**

(22) Filed: **Jan. 6, 2014**

(51) **LOC (10) Cl.** **13-02**

(52) **U.S. Cl.**
USPC **D13/108**

(58) **Field of Classification Search**
USPC D13/102-110, 118-119, 184, 199;
D14/356, 432; 320/103, 107-115, 135,
320/138, 140; 429/96-100, 156, 163, 176,
429/122
CPC Y02E 60/12; Y02E 60/122; Y02E 60/124;
Y02E 60/50; H01M 2/02; H01M 2/022;
H01M 2/0202; H01M 2/0207; H01M 2/0212;
H01M 2/1061; H01M 2/1022; H01M 2/1055;
H01M 2/1066; H01M 2/105; H01M 2/204;
H01M 10/4257; H01M 10/0436; H01M 10/48;
H01M 10/44; H01M 10/46; H01M 2200/30;
H02J 7/00; H02J 7/02; H02J 7/04; H02J
7/0027; H02J 7/0054; H02J 7/0055; H02J
2007/0062

See application file for complete search history.

(56) **References Cited**

U.S. PATENT DOCUMENTS

D595,223 S * 6/2009 Yamamoto et al. D13/108
D623,136 S 9/2010 Andre et al.

(Continued)

OTHER PUBLICATIONS

Energizer, "Energizer 10W USB Wall Charge and Apple Compatible 30-in Cable", <http://www.amazon.com/Energizer-Cahrger-Apple-Compatible-30-Pin/dp/B005QZ8BDC>, Jul. 23, 2013, 5 pages.

(Continued)

Primary Examiner — Rosemary K Tarcza

(74) *Attorney, Agent, or Firm* — Gary J. Cunningham

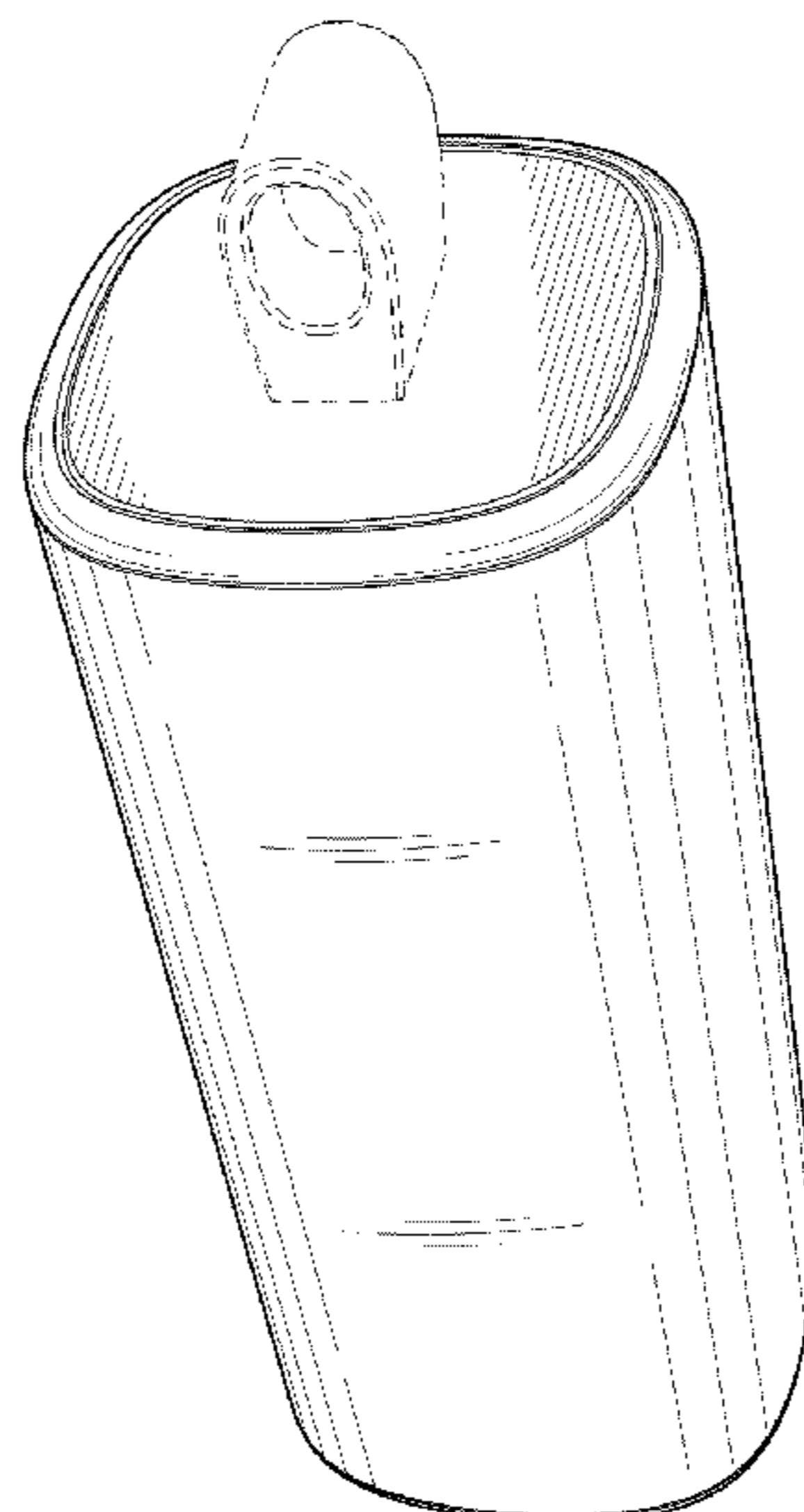
(57) **CLAIM**

The ornamental design for a portable charger, as shown and described.

DESCRIPTION

FIG. 1 is a top perspective view of a first embodiment of an ornamental design for a portable charger;
FIG. 2 is a bottom perspective view of the first embodiment thereof;
FIG. 3 is a front view of the first embodiment thereof;
FIG. 4 is a rear view of the first embodiment thereof;
FIG. 5 is a first side view of the first embodiment thereof;
FIG. 6 is a second side view of the first embodiment thereof;
FIG. 7 is bottom view of the first embodiment thereof; and,
FIG. 8 is a top view of the first embodiment thereof.
The broken lines shown in FIGS. 1-8 that are immediately adjacent to the shaded areas, and define unshaded regions, represent the bounds of the claim and form no part of the claimed design, while all other broken lines are directed environment and are for illustrative purposes only; the broken lines form no part of the claimed design.

1 Claim, 5 Drawing Sheets



(56)

References Cited

U.S. PATENT DOCUMENTS

D643,807 S *	8/2011	Jiang	D13/103
D645,817 S *	9/2011	Sasada et al.	D13/108
D664,920 S *	8/2012	Huang	D13/107
D665,346 S *	8/2012	Kumagai et al.	D13/108
D673,909 S *	1/2013	Zaslavsky et al.	D13/110
D675,158 S *	1/2013	Smith et al.	D13/110
D680,492 S *	4/2013	Smith et al.	D13/110
D703,134 S *	4/2014	Wong	D13/108
D705,724 S *	5/2014	Yu	D13/108
D708,129 S *	7/2014	Houghton et al.	D13/103
D711,820 S *	8/2014	Zeng	D13/108
D713,335 S *	9/2014	Mao	D13/108

OTHER PUBLICATIONS

iESSENTIALS, “USB Wall Charger”, <http://mizco.com/iessentials/iessentials/iphone/iphone-4g/iphone-4-4s-power-chargers/usb-wall-charger-914.html>, Jul. 23, 2013, 1 page.

Dhgate.com “Wholesale—New Apple Charger Head Apple White USB Charger Power Supply Adapter USB Charging Head for iphone4 4S”, <http://www.dhgate.com/product/new-apple-charger-head-apple-white-usb-charger/149274950.html>, Jul. 23, 2013.

Yugster.com, “Motorola Dual Port USB Travel Charger—2 Pack”, <http://www.yugster.com/deals/48314-motorola-dual-port-usb-travel-charger-2-pack#>, Jul. 23, 2013, 2 pages.

Carl A. Cepress, et al. “Power Adapter”, U.S. Appl. No. 29/461,449 Jul. 23, 2013.

* cited by examiner

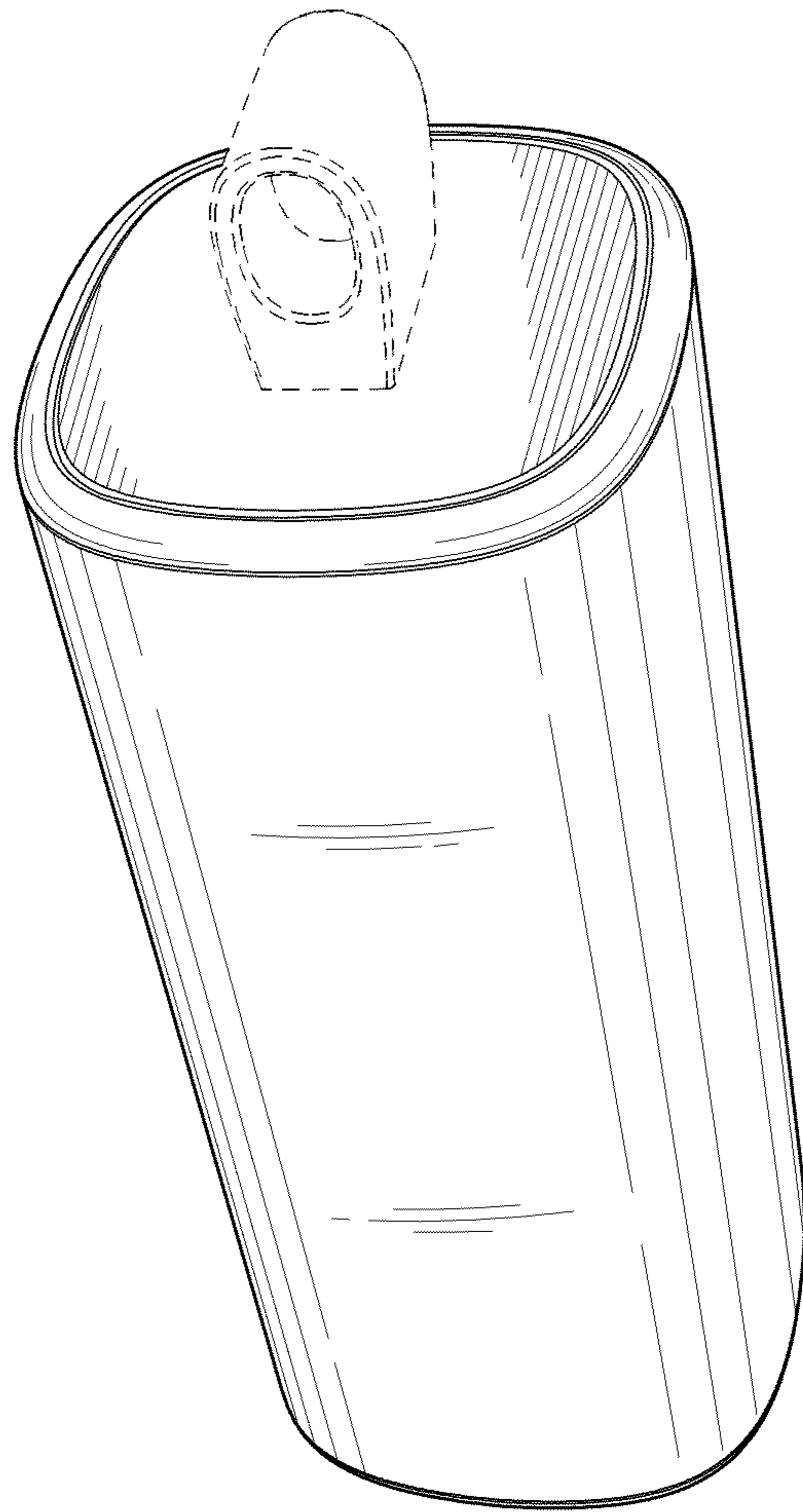


FIG. 1

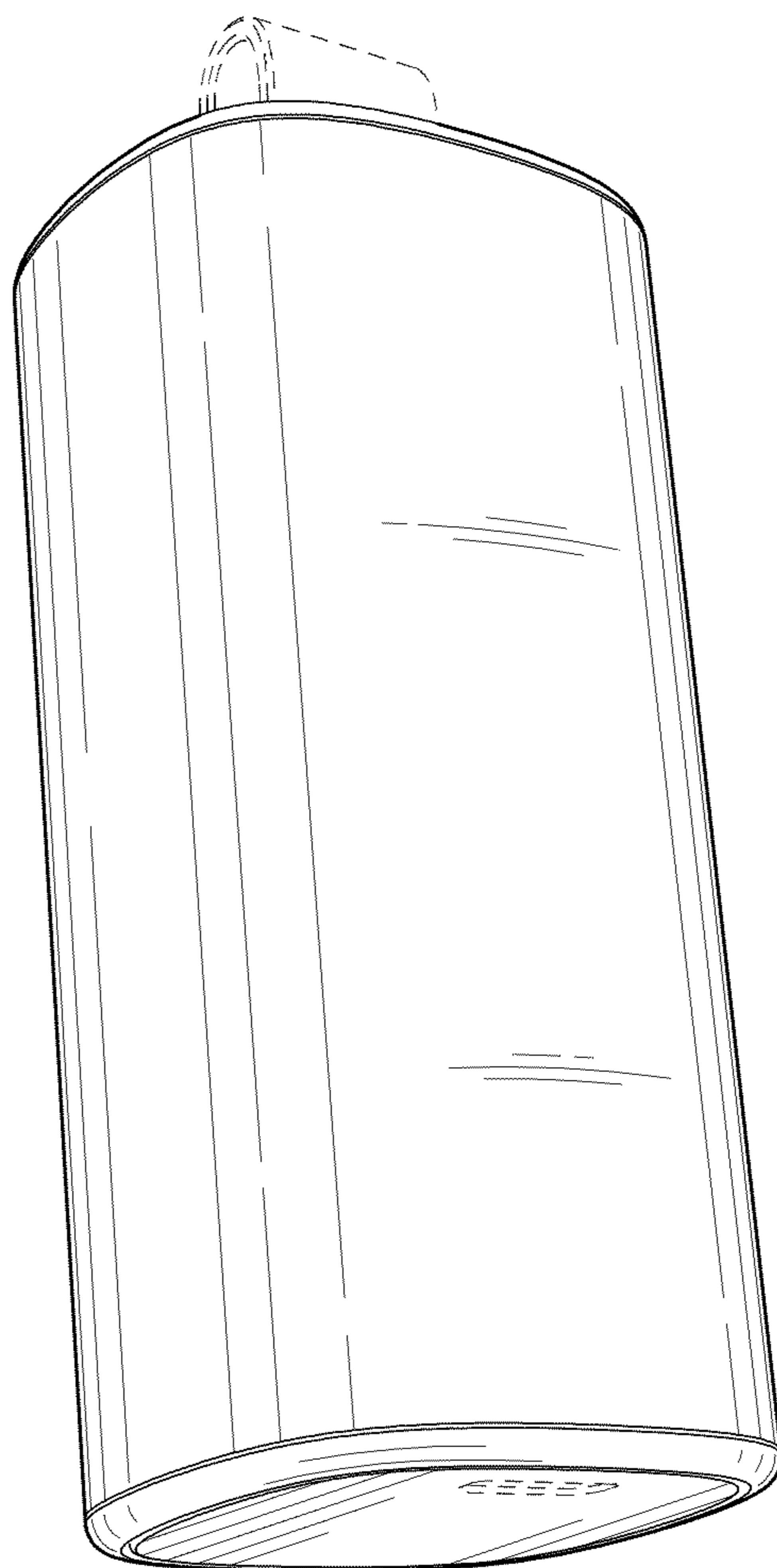


FIG. 2

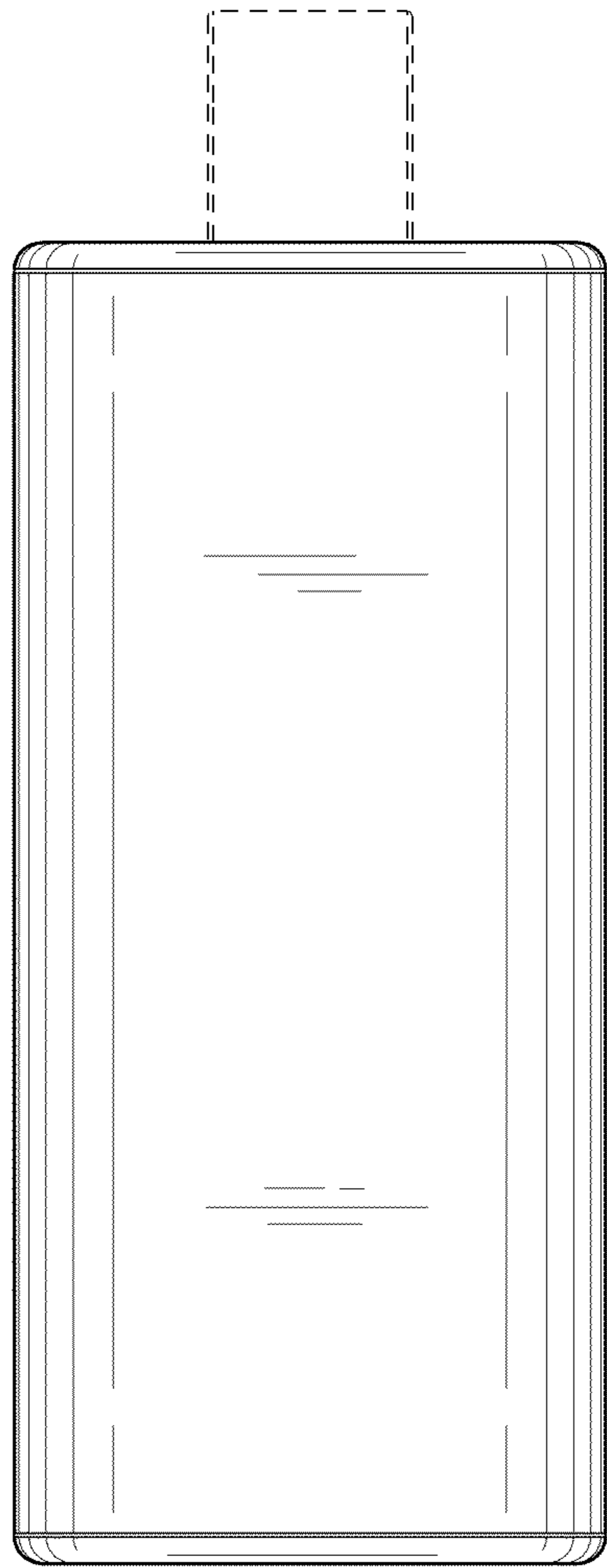


FIG. 3

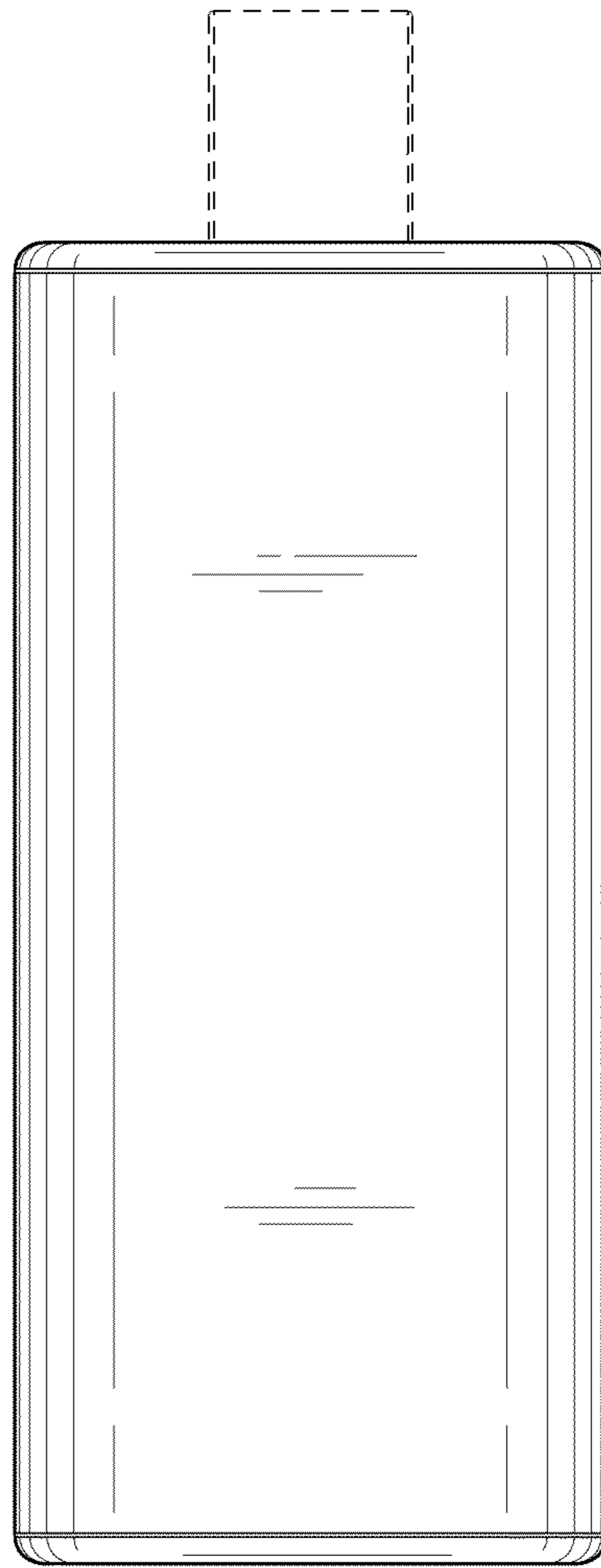


FIG. 4

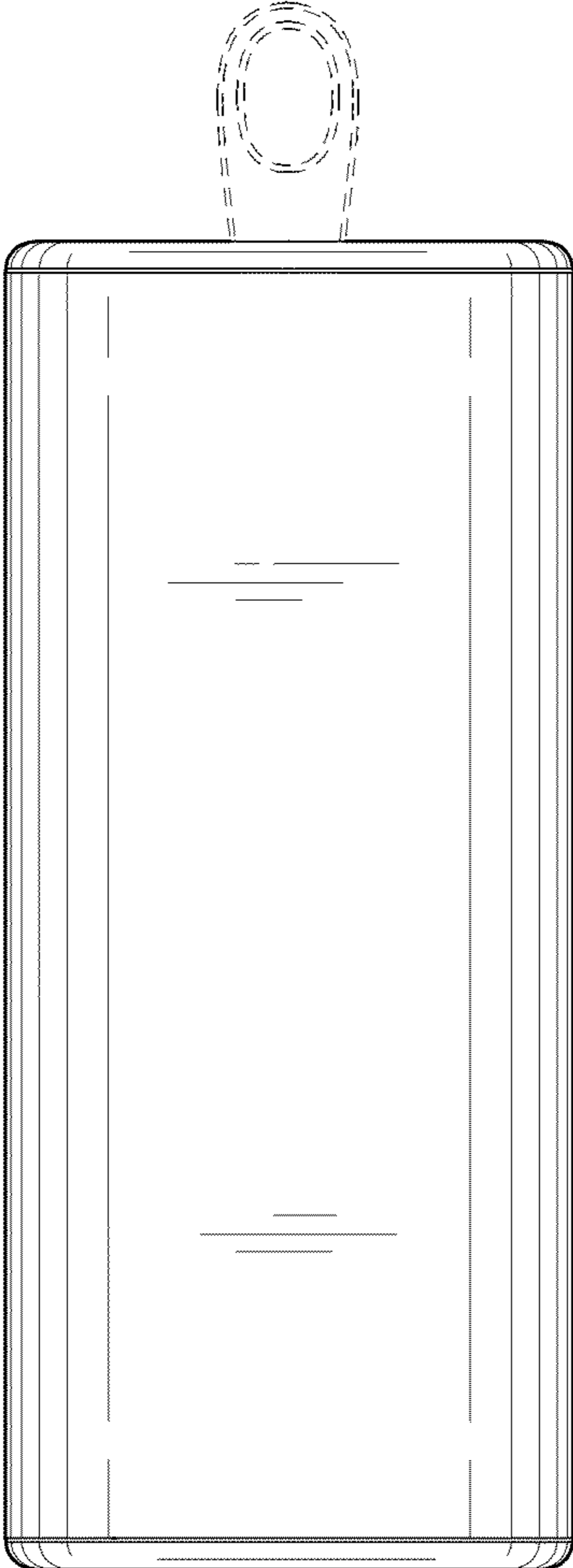


FIG. 5

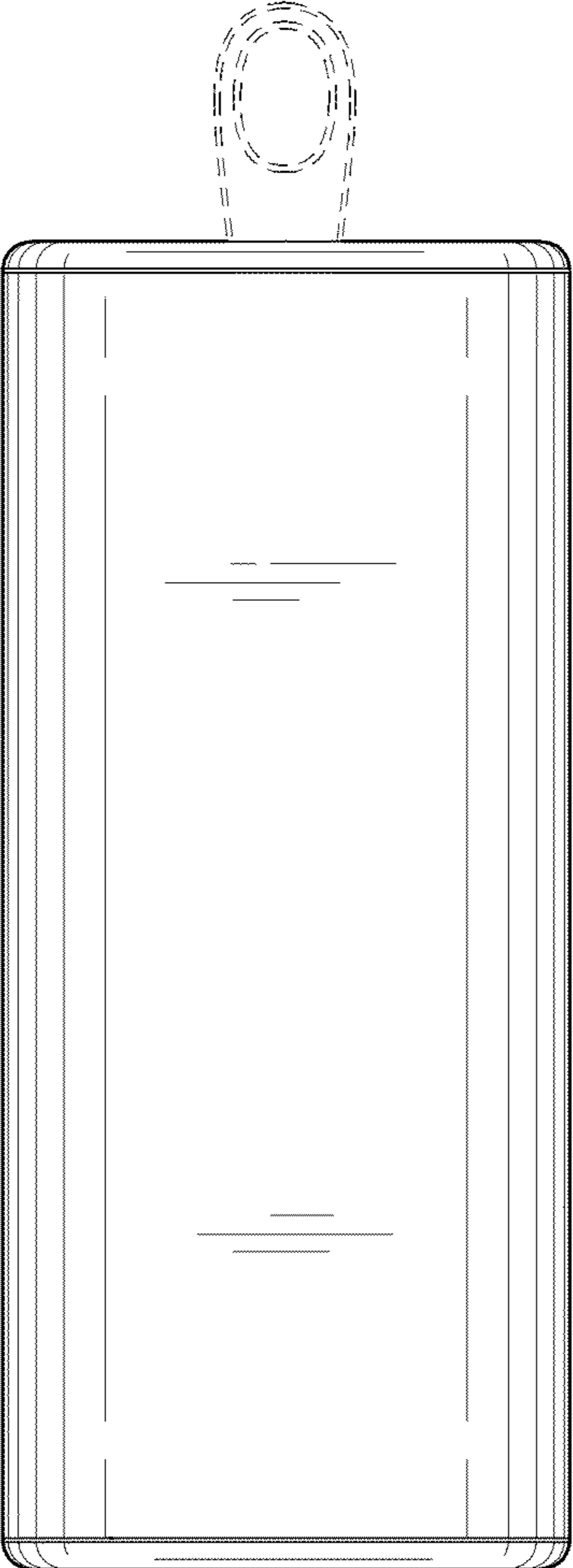


FIG. 6

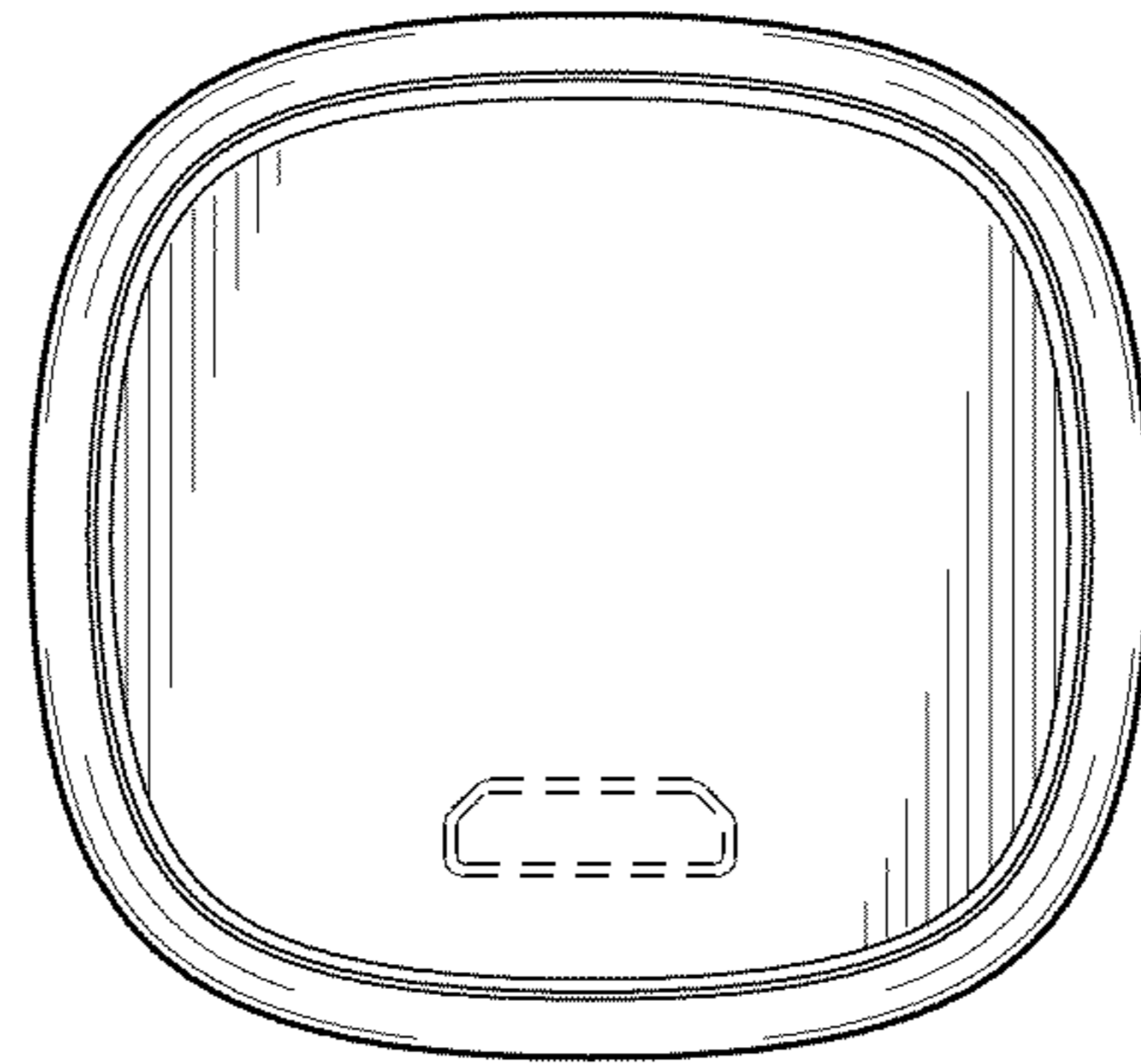


FIG. 7

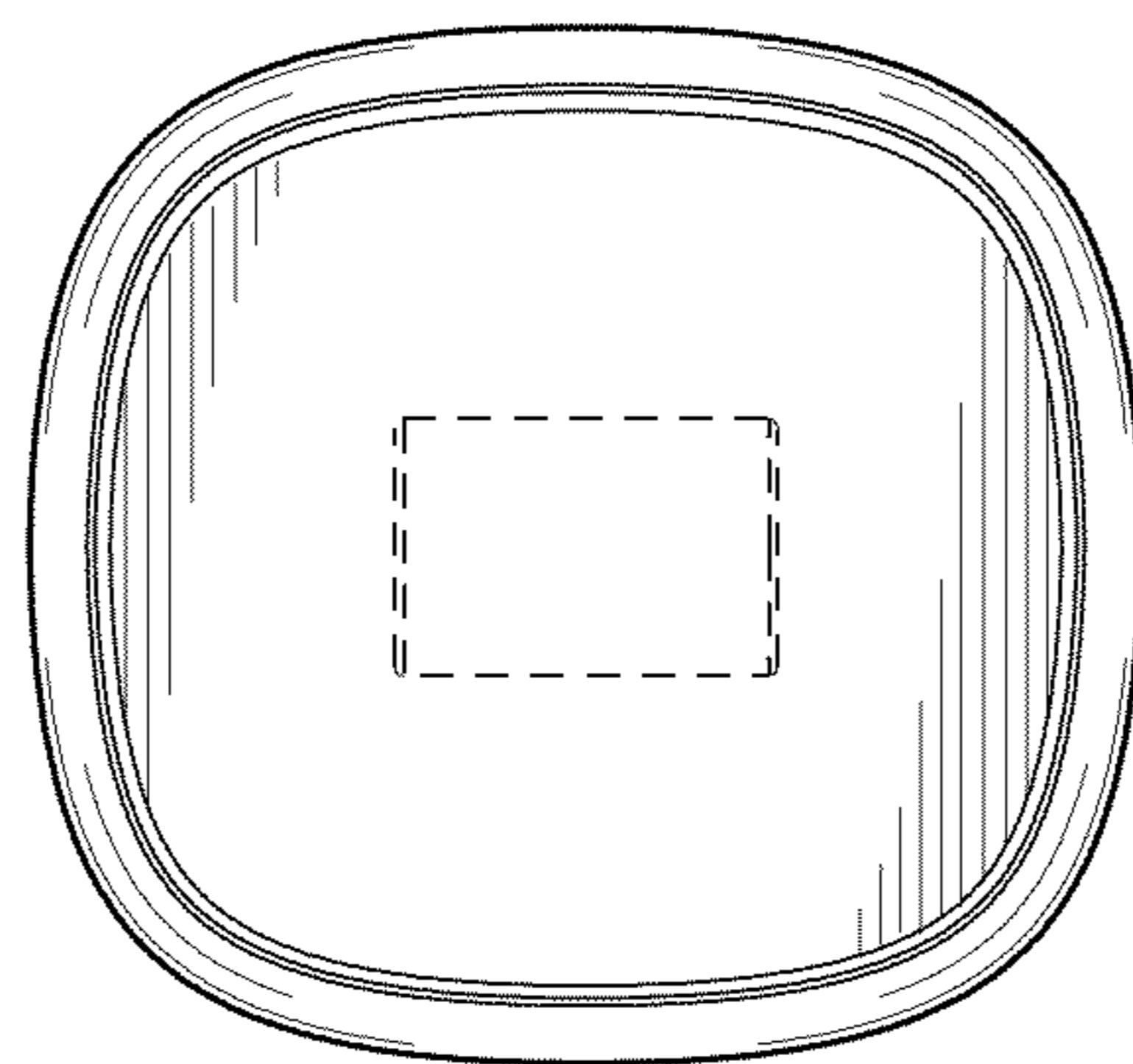


FIG. 8