



US00D738301S

(12) **United States Design Patent**
Symons

(10) **Patent No.:** **US D738,301 S**
(45) **Date of Patent:** **** Sep. 8, 2015**

- (54) **BATTERY CHARGING DEVICE**
- (71) Applicant: **BLUELOUNGE PTE. LTD.**, Wilkie Edge (SG)
- (72) Inventor: **Dominic Symons**, Wilkie Edge (SG)
- (73) Assignee: **Bluelounge Pte Ltd**, Wilkie Edge (SG)
- (**) Term: **14 Years**
- (21) Appl. No.: **29/523,604**
- (22) Filed: **Apr. 11, 2015**
- (51) **LOC (10) Cl.** **13-02**
- (52) **U.S. Cl.**
USPC **D13/107**
- (58) **Field of Classification Search**
USPC D13/107-110, 118-119, 182, 199;
D14/251, 253, 432, 434; 320/107-115
CPC Y02E 60/12; Y02T 90/14; Y02T 90/122;
Y02T 90/128; Y02T 90/163; H02J 7/025;
H02J 7/0042; H02J 7/0044; H02J 7/0045;
H02J 7/0003; H01F 38/14; H01R 13/6675;
H01M 2/1022; H01M 2/1055; H01M 10/44;
H01M 10/46; H01M 10/425; B60L 11/182
See application file for complete search history.

(56) **References Cited**

U.S. PATENT DOCUMENTS

D478,557	S *	8/2003	Pfeiffer	D13/107
D538,223	S	3/2007	Yang		
7,291,041	B1	11/2007	Yang		
7,394,220	B2	7/2008	Huang		
7,412,259	B2	8/2008	Yoo		
D599,735	S *	9/2009	Amidei et al.	D13/107
D614,127	S *	4/2010	Kingston et al.	D13/107
7,746,029	B2	6/2010	Toya		
7,816,886	B2	10/2010	Brandon		
D626,916	S *	11/2010	Hine	D13/107
D652,377	S *	1/2012	Butts et al.	D13/107
8,215,983	B2	7/2012	Obata		

D674,342	S *	1/2013	Ho	D13/110
8,471,523	B2	6/2013	Lin		
D686,987	S	7/2013	Vanstone		
D692,824	S *	11/2013	Fiaschetti	D13/108
8,611,079	B2	12/2013	Zhang		
D697,025	S *	1/2014	Fitch et al.	D13/107
8,633,674	B2	1/2014	Law		

(Continued)

FOREIGN PATENT DOCUMENTS

EP 1814016 8/2007

OTHER PUBLICATIONS

ebay.com, Mar. 31, 2015, Internet printout: <http://www.ebay.com/itm/Computer-PC-USB-Power-2-Slot-Charger-AA-AAA-Rechargeable-Battery-Charging-Device-/261450481278>.

(Continued)

Primary Examiner — Rosemary K Tarcza

(74) *Attorney, Agent, or Firm* — Decisis LLP

(57) **CLAIM**

The ornamental design for a battery charging device, as shown and described.

DESCRIPTION

FIG. 1 is a perspective view embodying the battery charging device;

FIG. 2 is a side view thereof;

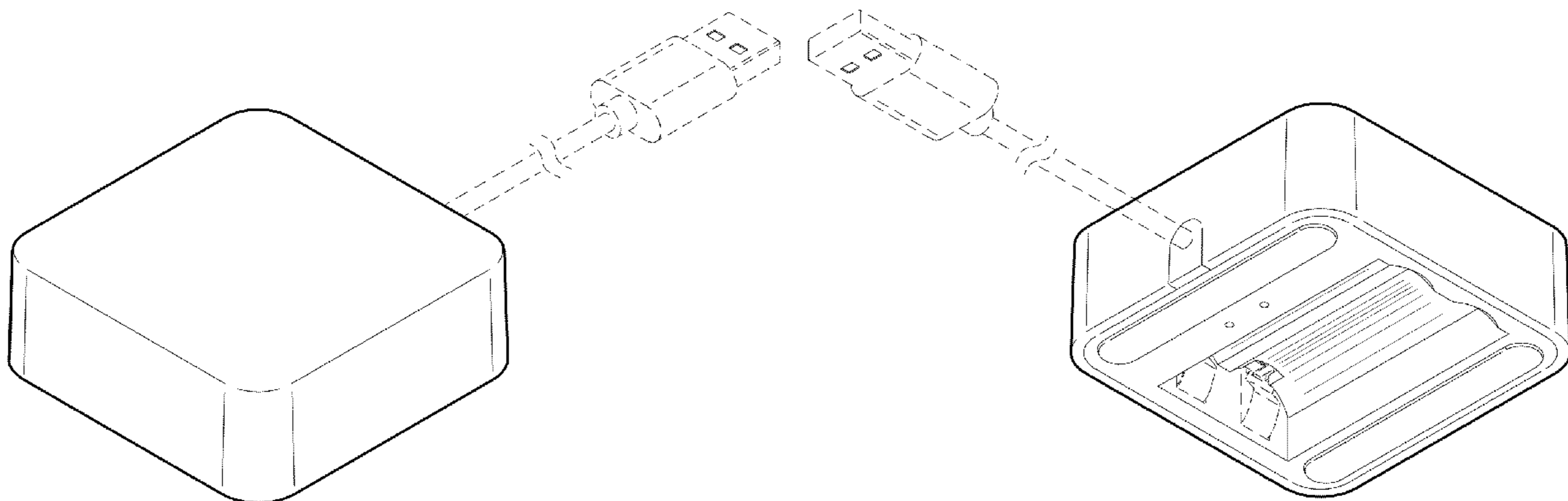
FIG. 3 is a top view thereof;

FIG. 4 is a bottom view thereof; and,

FIG. 5 is another perspective view thereof.

The cord is shown with a symbolic break in its length. The appearance of any portion of the article between the break lines forms no part of the claimed design. In the drawings, the broken line showing is for the purpose of illustrating portions of the article or environment and forms no part of the claimed design.

1 Claim, 5 Drawing Sheets



(56)

References Cited

U.S. PATENT DOCUMENTS

8,749,983	B2	6/2014	Vandiver	
D714,214	S *	9/2014	Wikel et al.	D13/107
D718,235	S *	11/2014	Uzuyama	D13/108
D726,107	S *	4/2015	Mudge et al.	D13/110
2002/0149343	A1 *	10/2002	Huang	320/112
2006/0033474	A1	2/2006	Shum	
2006/0097692	A1 *	5/2006	Chen et al.	320/107
2008/0174265	A1 *	7/2008	Toya	320/107
2012/0275118	A1	11/2012	Vandiver	

OTHER PUBLICATIONS

hacknmod.com, Mar. 31, 2015, Internet printout: <http://hacknmod.com/hack/powerful-aa-battery-to-usb-device-charger/>.

amazon.com, Mar. 31, 2015, Internet printout: <http://www.amazon.com/exec/obidos/ASIN/B000XVZYXO/bluebirdlanefarm/>.

amazon.com, Mar. 31, 2015, Internet printout: http://www.amazon.com/SunJack-Battery-Charger-Ni-Mh-Batteri...e_61175-1020762-9596445?ie=UTF8&refRID=1WRXC4DB6CMWQ41XVDAS.

all-battery.com, Mar. 31, 2015, Internet printout: <http://www.all-battery.com/t3000USBcompactcharger.aspx>.

batteryjunction.com, Mar. 31, 2015, Internet printout: http://www.batteryjunction.com/tpec-tp-usb.html?gclid=CMSeiZ_308QCFYhgfgodAbUA_w.

ebay.com, Mar. 31, 2015, Internet printout: <http://www.ebay.com/itm/like/121493399027?lpid=82&chn=ps>.

* cited by examiner

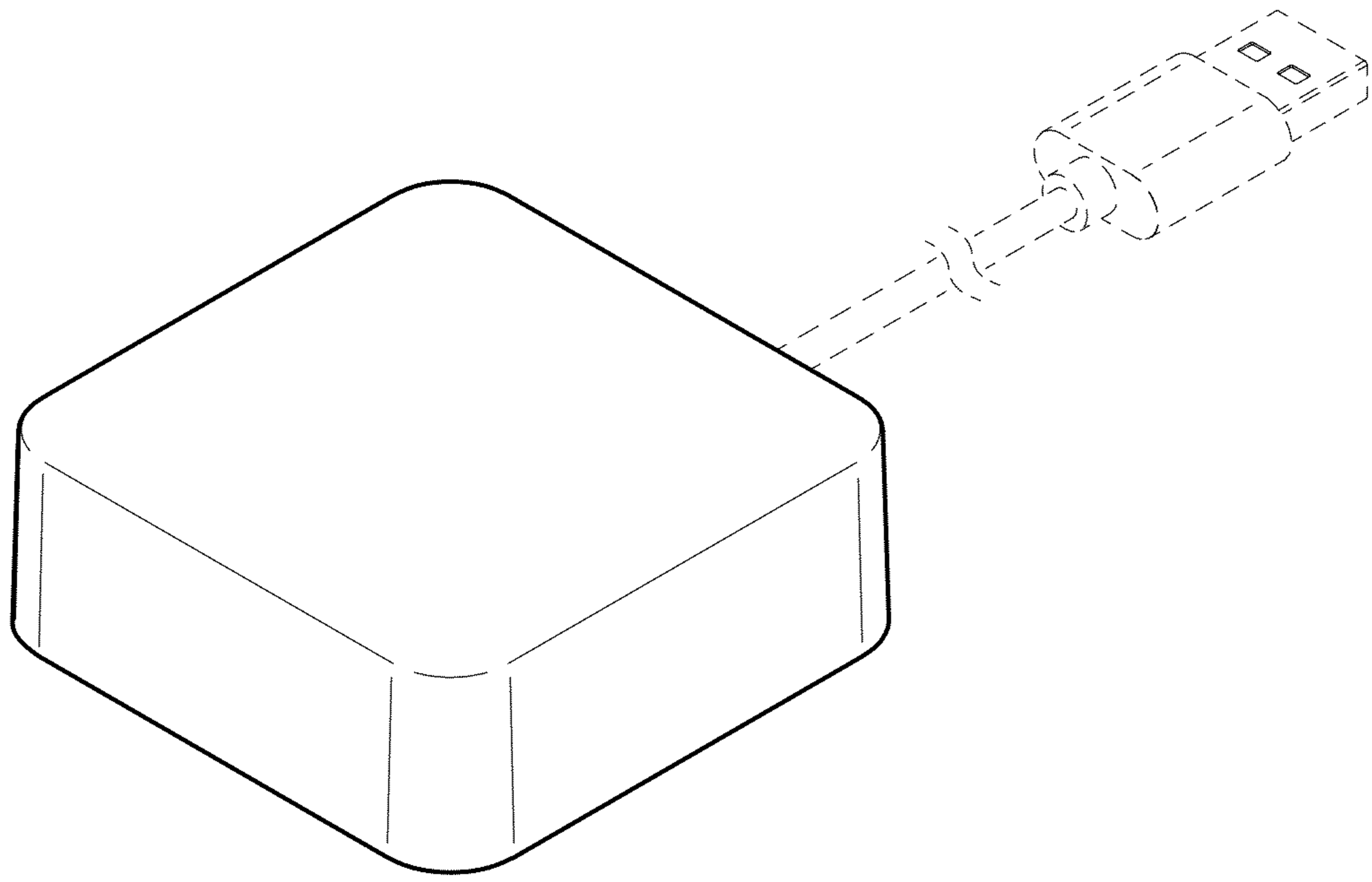


FIG. 1

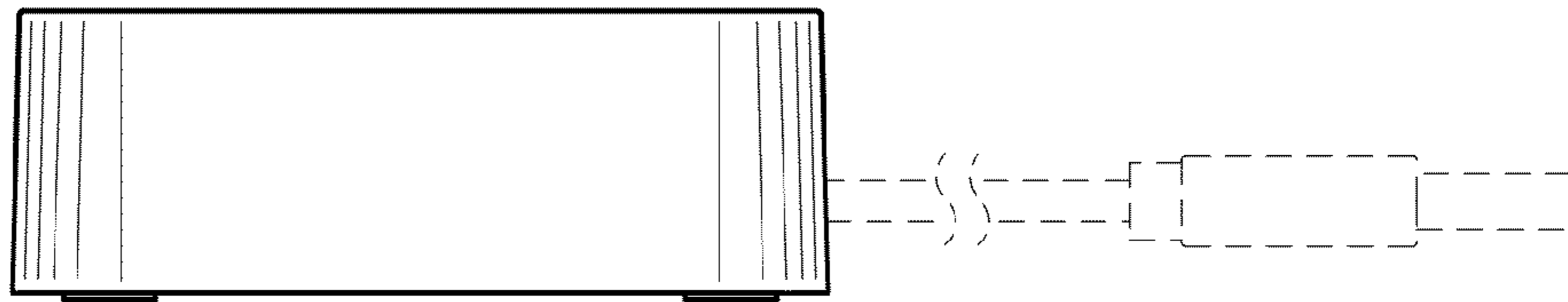


FIG. 2

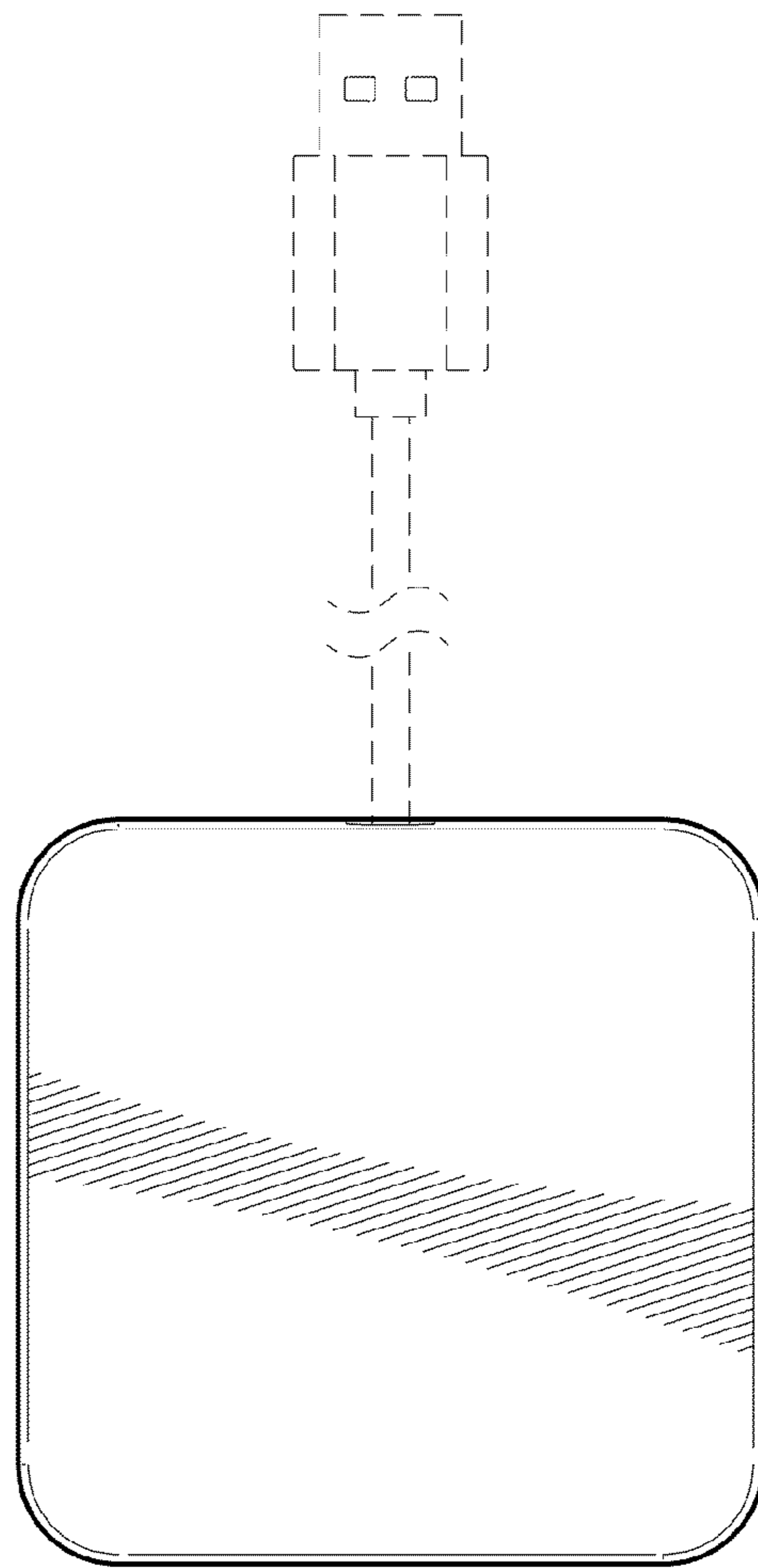


FIG. 3

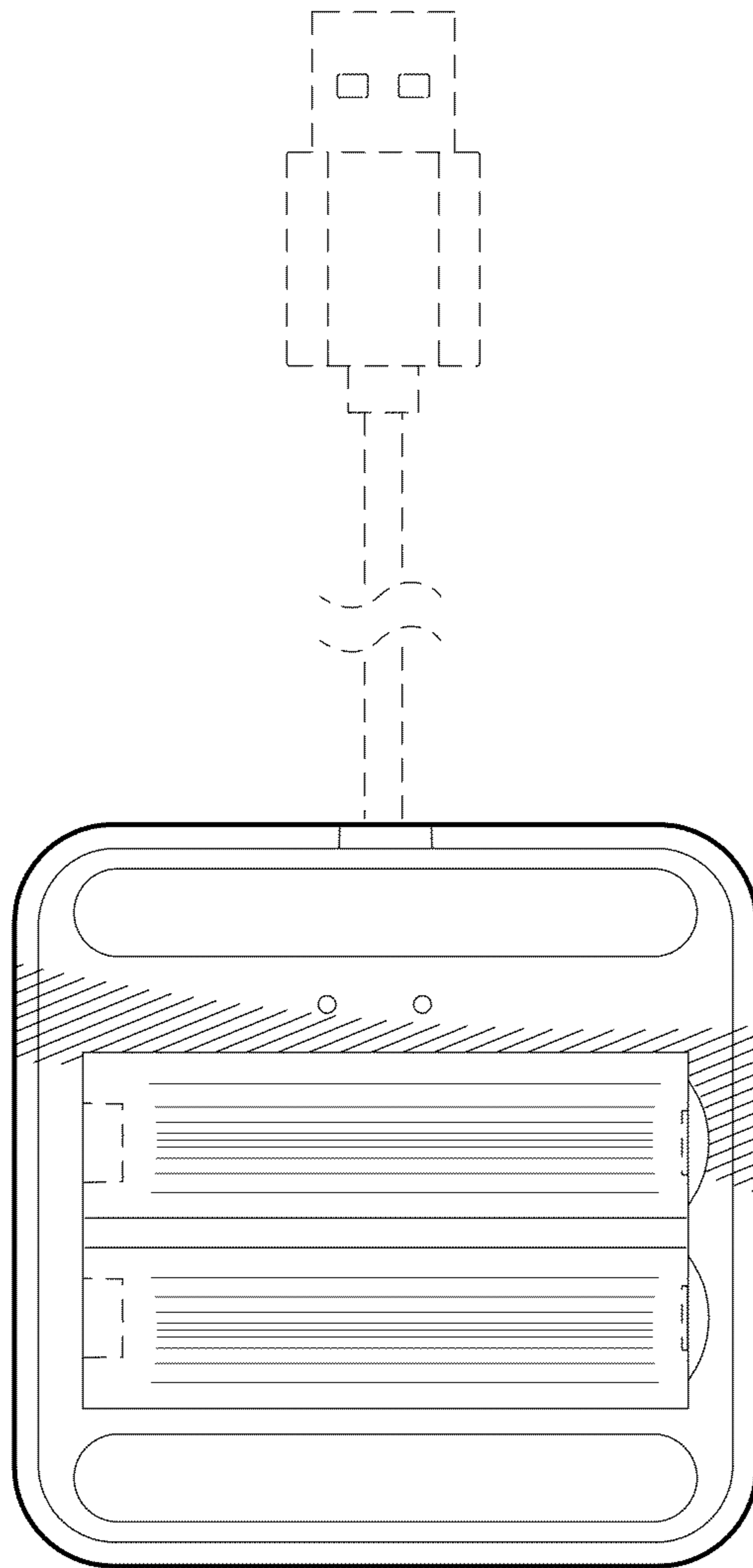


FIG. 4

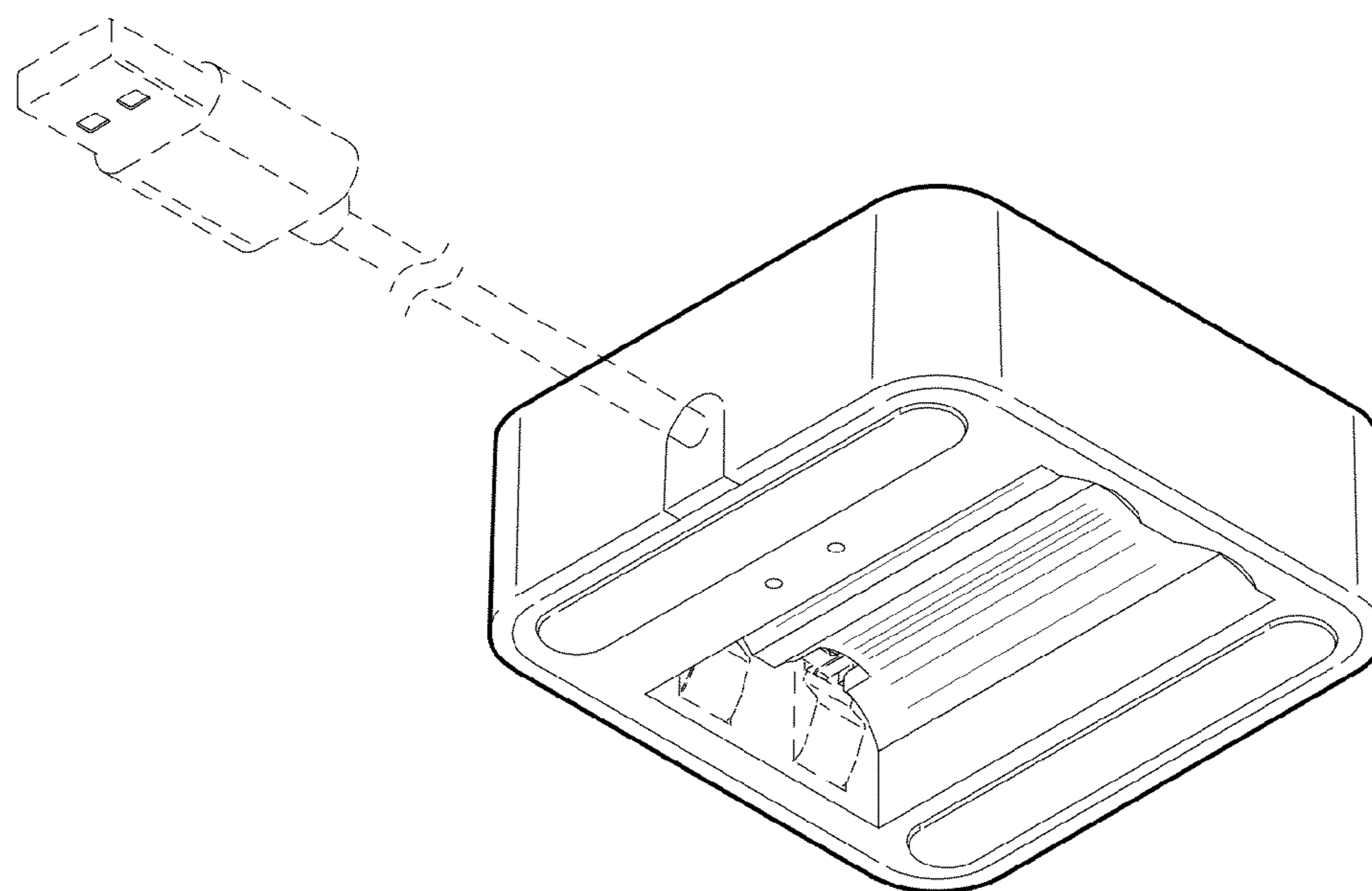


FIG. 5