



US00D738296S

(12) **United States Design Patent**  
**Shimizu**

(10) **Patent No.:** **US D738,296 S**  
(45) **Date of Patent:** **\*\* Sep. 8, 2015**

(54) **AUTOMOBILE TIRE**

FOREIGN PATENT DOCUMENTS

(71) Applicant: **THE YOKOHAMA RUBBER CO., LTD.**, Minato-ku, Tokyo (JP)

JP 1405171 1/2011

(72) Inventor: **Tsuyoto Shimizu**, Hiratsuka (JP)

OTHER PUBLICATIONS

(73) Assignee: **THE YOKOHAMA RUBBER CO., LTD.**, Minato-ku, Tokyo (JP)

Notification of Reasons for Refusal issued in corresponding Japanese Design Application No. 2013-06861 mailed Nov. 19, 2013.

(\*\*) Term: **14 Years**

\* cited by examiner

(21) Appl. No.: **29/468,196**

*Primary Examiner* — George D Kirschbaum

(22) Filed: **Sep. 27, 2013**

(74) *Attorney, Agent, or Firm* — Banner & Witcoff, Ltd.

(30) **Foreign Application Priority Data**

(57) **CLAIM**

The ornamental design for an automobile tire, as shown and described.

Mar. 27, 2013 (JP) ..... 2013-006861

**DESCRIPTION**

(51) **LOC (10) CL.** ..... **12-15**

FIG. 1 is a perspective view of an automobile tire showing my new design;

(52) **U.S. CL.**  
USPC ..... **D12/585**

FIG. 2 is a front view thereof;

(58) **Field of Classification Search**  
USPC ..... D12/605, 604; 152/209.1-209.2, 455, 152/523; 40/587

FIG. 3 is a rear view thereof;

CPC ..... B06C 2200/00; B60C 1/00  
See application file for complete search history.

FIG. 4 is a left side view thereof;

FIG. 5 is a right side view thereof;

FIG. 6 is a top plan view thereof;

FIG. 7 is a bottom view thereof;

FIG. 8 is an enlarged view of a portion defined by lines 8-8 shown in FIG. 2; and,

FIG. 9 is a sectional view taken along lines 9-9 shown in FIG. 8.

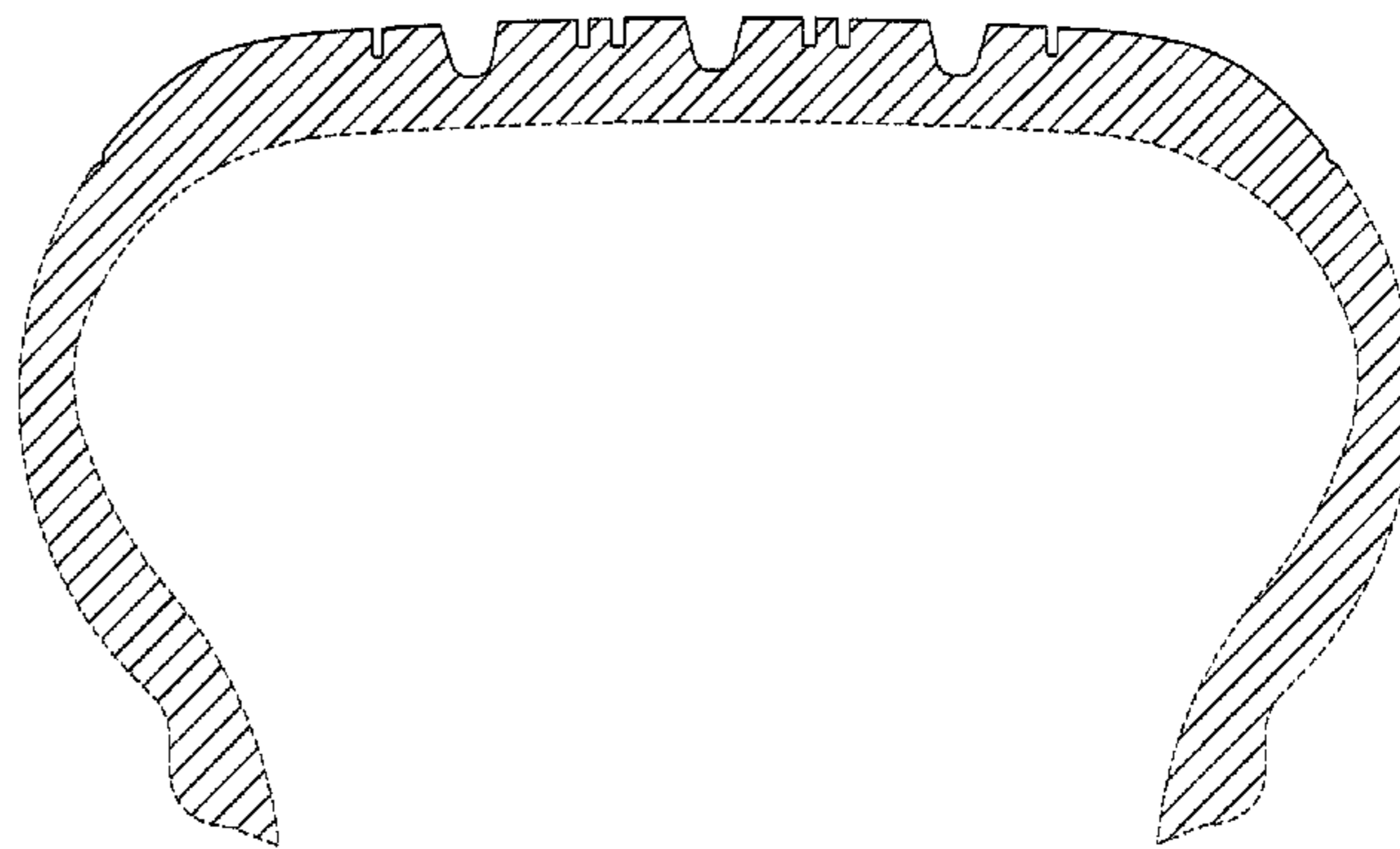
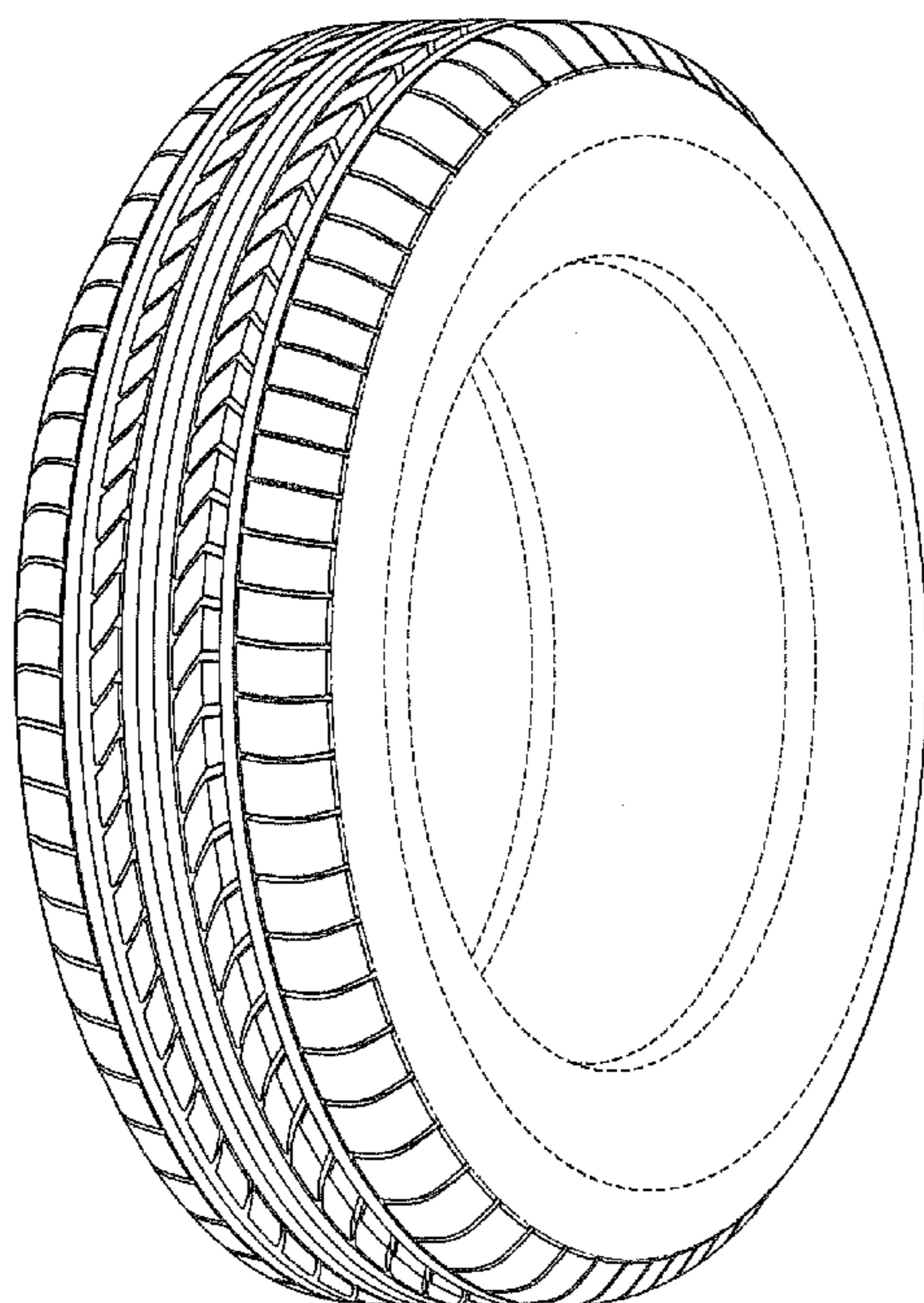
(56) **References Cited**

The broken lines shown are included for the purpose of illustrating the unclaimed portions of the automobile tire and form no part of the claimed design.

U.S. PATENT DOCUMENTS

D455,999 S \* 4/2002 Graas ..... D12/585  
D472,205 S \* 3/2003 Caretta et al. .... D12/591  
D648,670 S \* 11/2011 Yonetsu ..... D12/585

**1 Claim, 9 Drawing Sheets**



**FIG. 1**

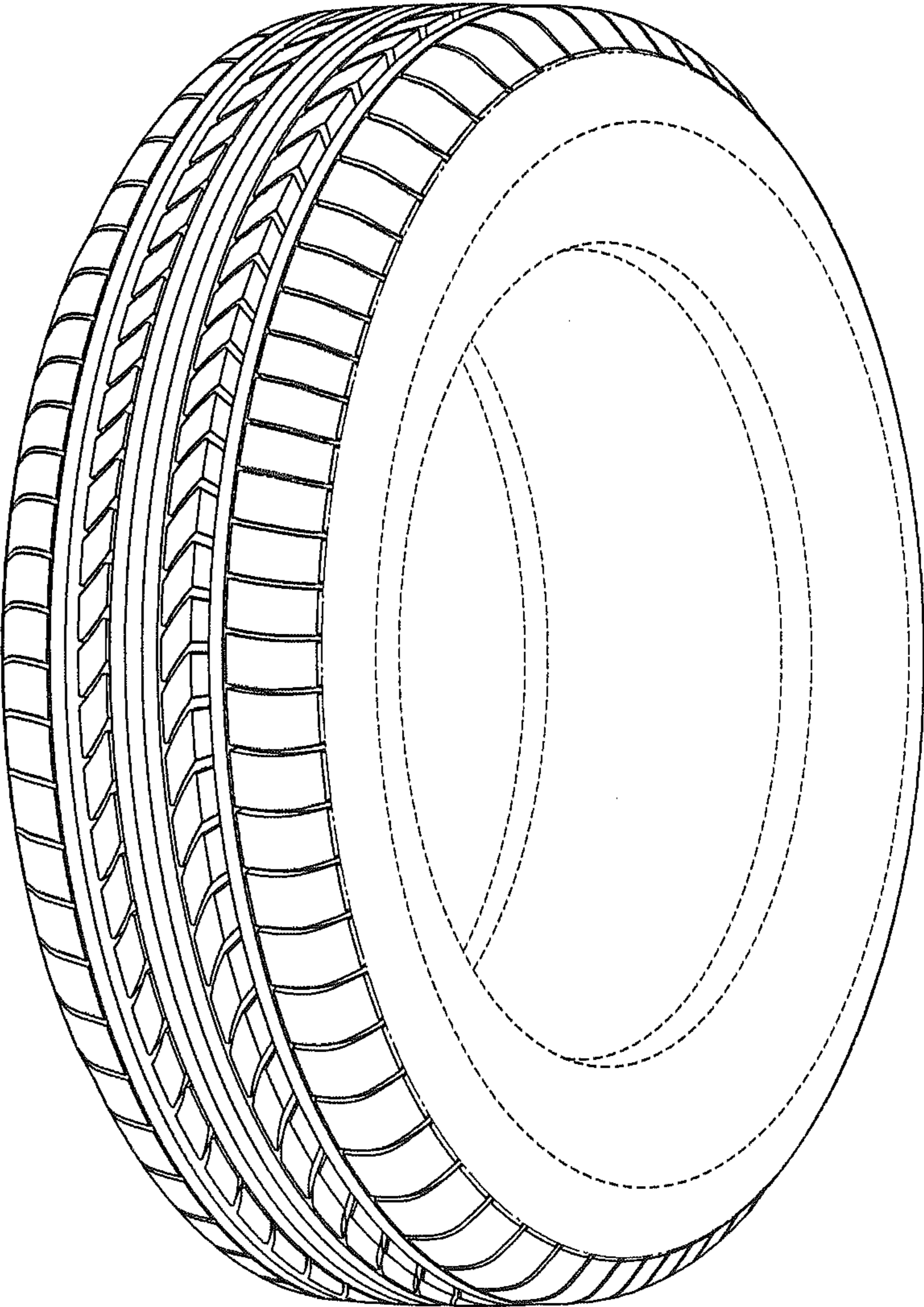
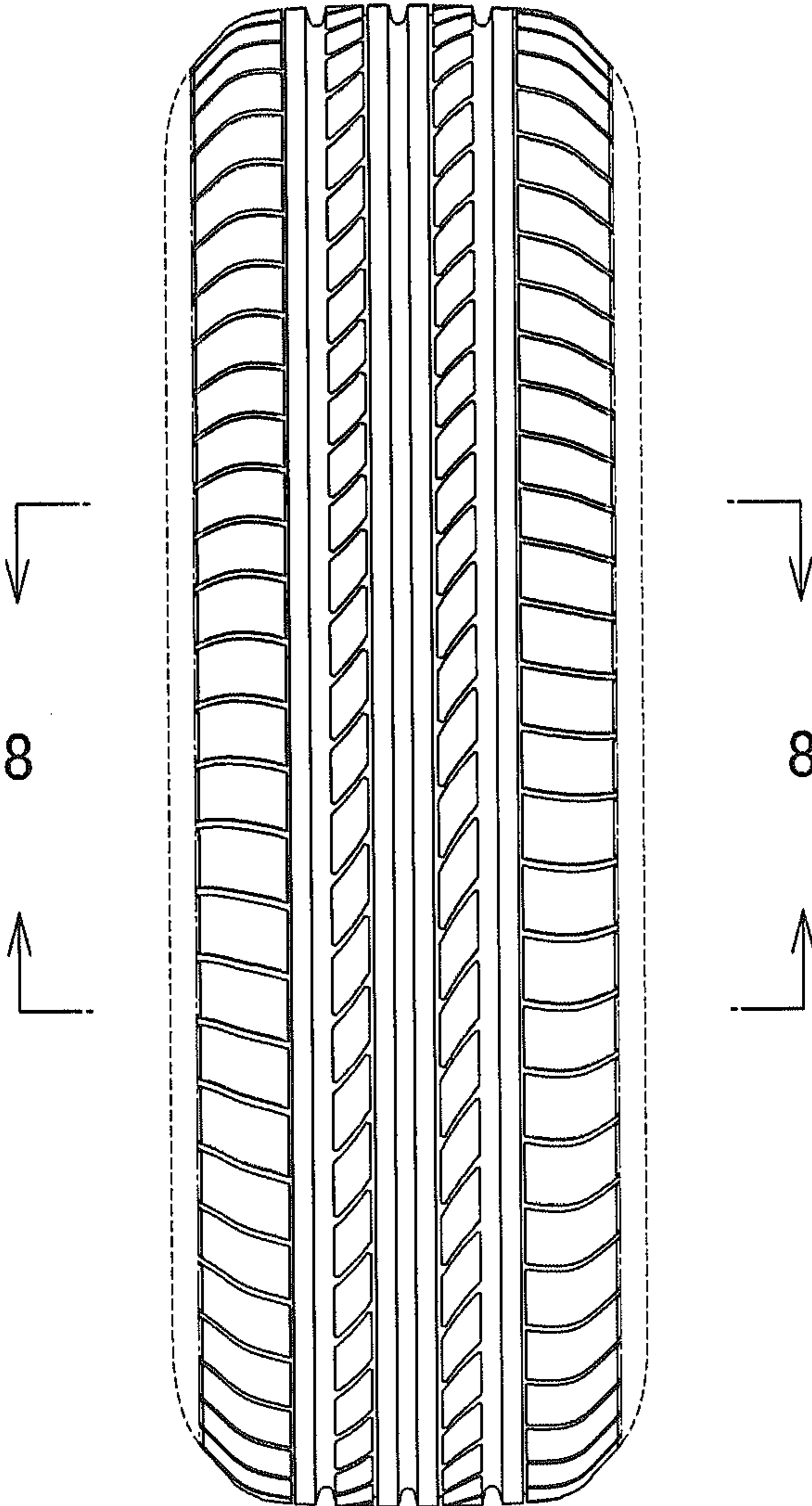
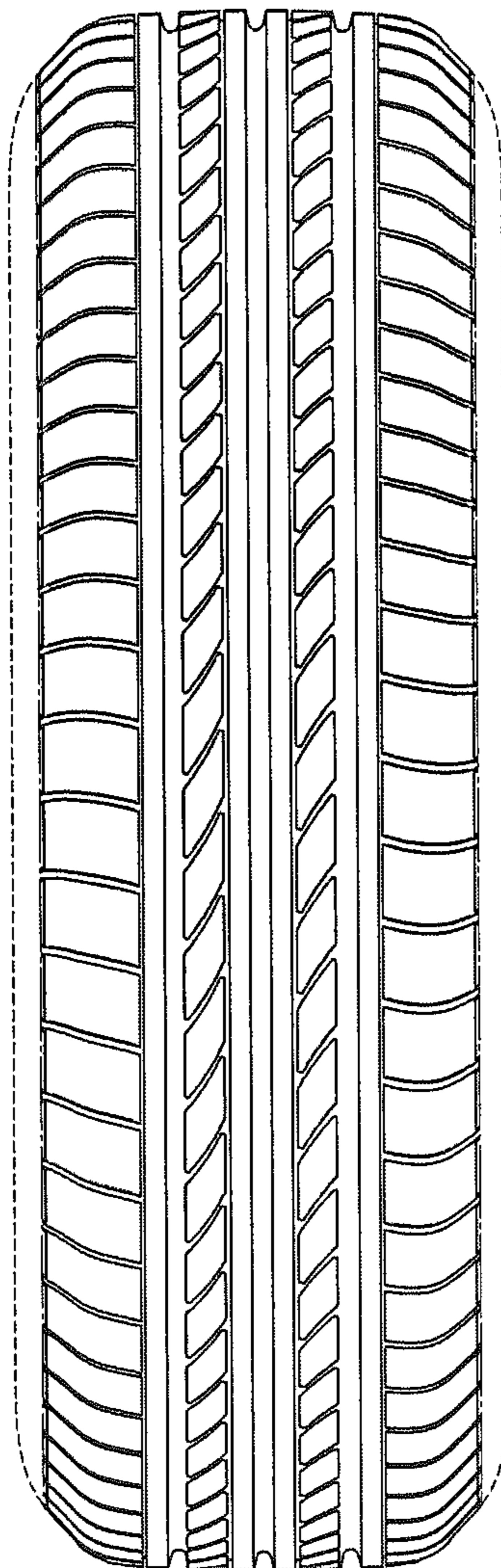


FIG. 2

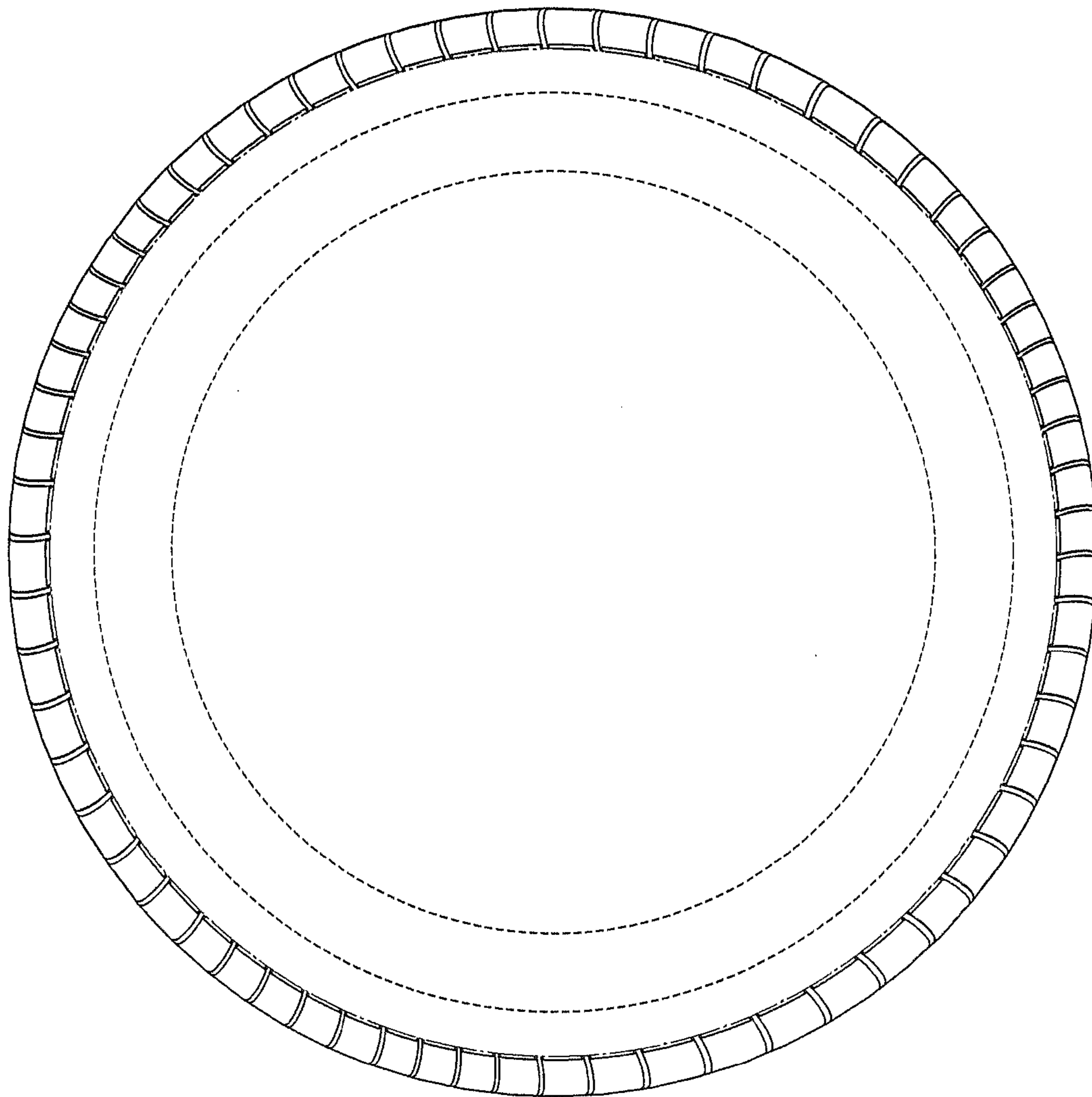


**FIG. 3**

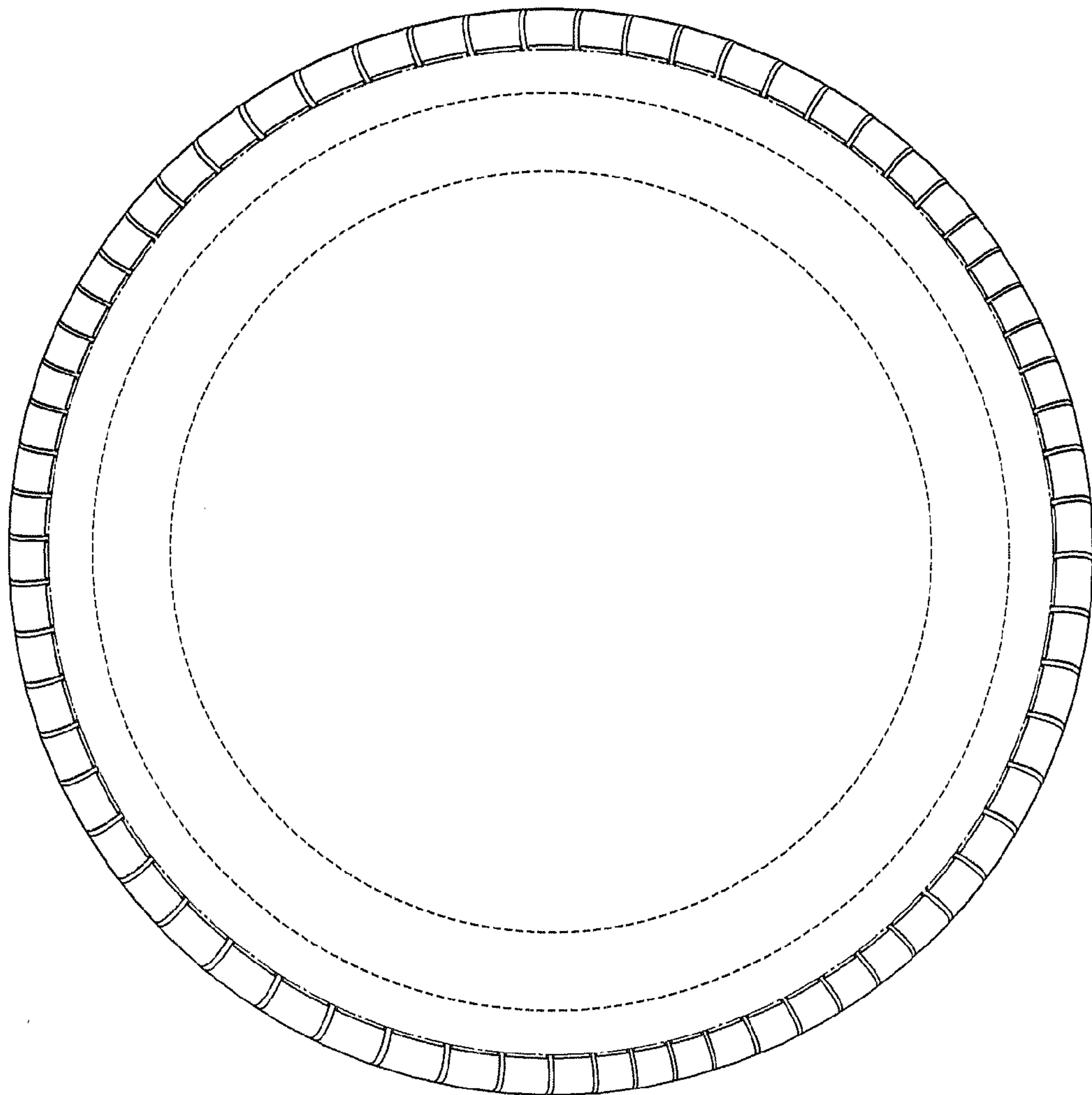




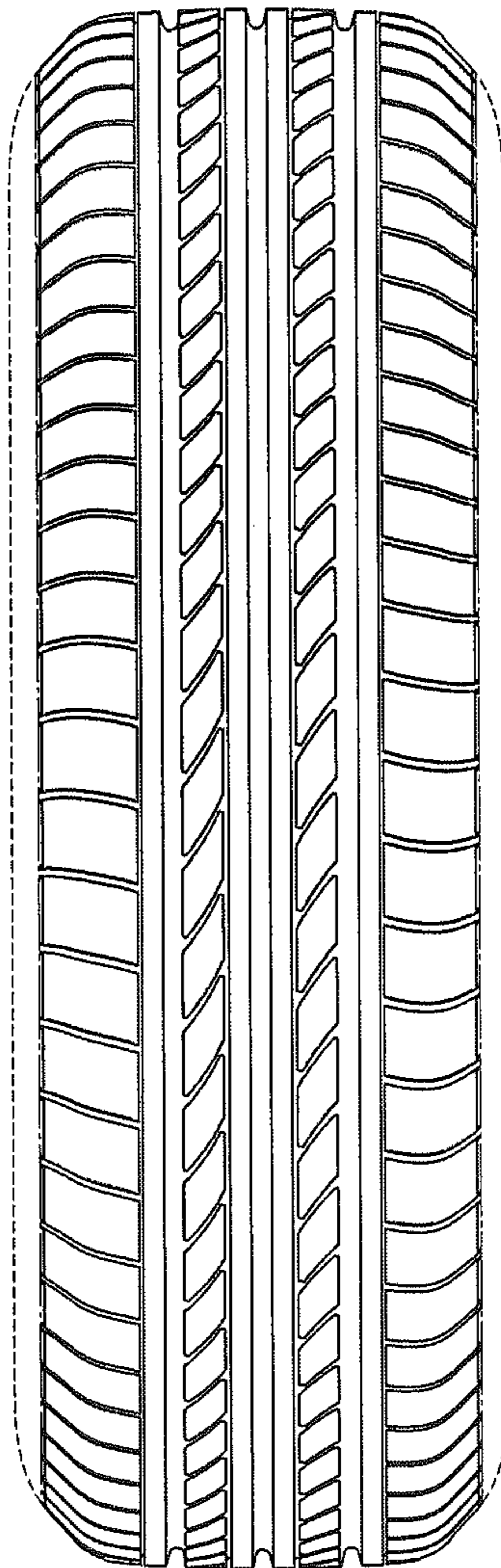
**FIG. 4**



**FIG. 5**



**FIG. 6**



**FIG. 7**

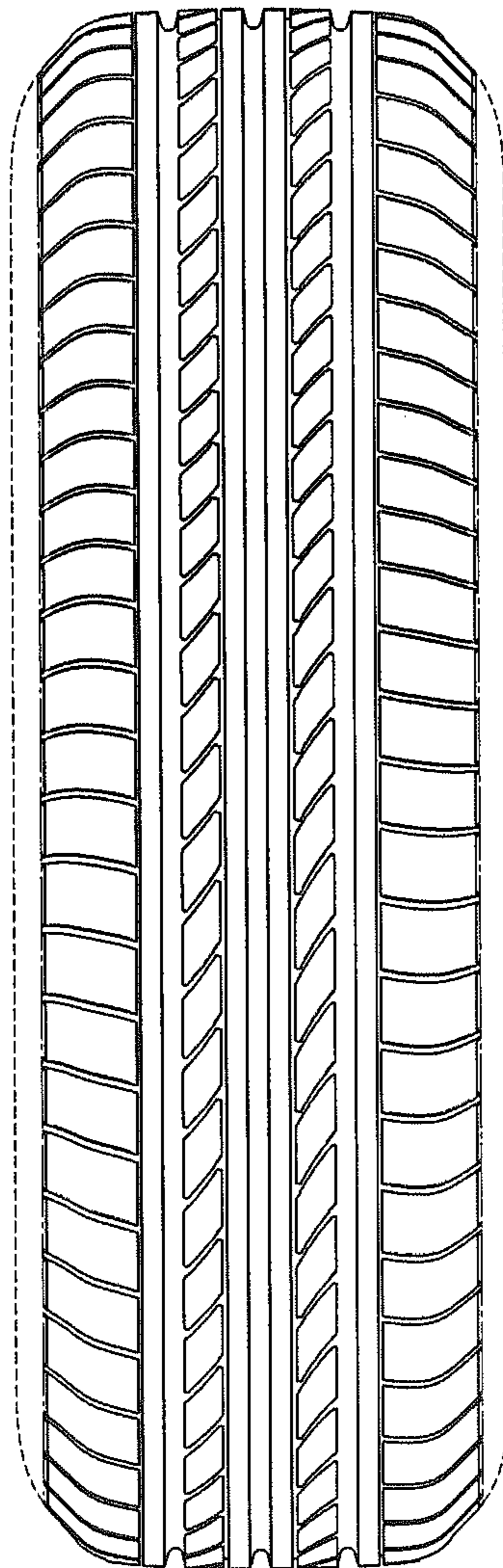




FIG. 8

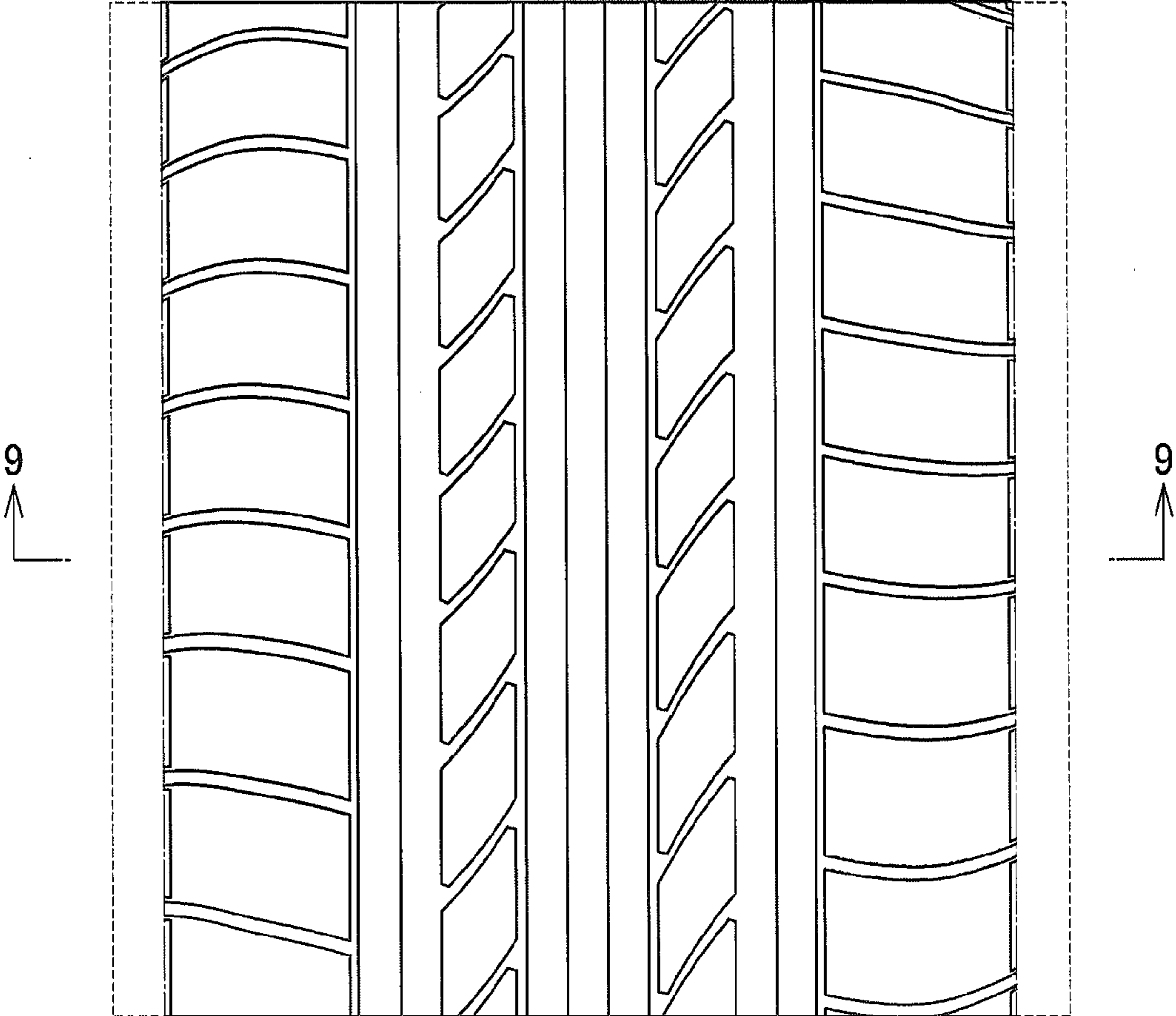


FIG. 9

