



US00D738291S

(12) **United States Design Patent**  
**Taniguchi**

(10) **Patent No.:** **US D738,291 S**

(45) **Date of Patent:** **\*\* Sep. 8, 2015**

(54) **TIRE**

(71) Applicant: **TOYO TIRE & RUBBER CO., LTD.**,  
Osaka (JP)

(72) Inventor: **Jiro Taniguchi**, Osaka (JP)

(73) Assignee: **Toyo Tire & Rubber Co., Ltd.**, Osaka  
(JP)

(\*\*) Term: **14 Years**

(21) Appl. No.: **29/509,064**

(22) Filed: **Nov. 13, 2014**

(30) **Foreign Application Priority Data**

Jun. 25, 2014 (JP) ..... 2014-013858

(51) **LOC (10) Cl.** ..... **12-15**

(52) **U.S. Cl.**  
USPC ..... **D12/532**

(58) **Field of Classification Search**

USPC ..... D12/505-532  
CPC ..... B60C 11/0304; B60C 11/0302; B60C  
11/0306; B60C 11/0309; B60C 11/0318;  
B60C 11/0311; B60C 11/042; B60C 11/13;  
B60C 11/00; B60C 11/11; B60C 11/12  
See application file for complete search history.

(56) **References Cited**

**U.S. PATENT DOCUMENTS**

D355,877 S \* 2/1995 Allison et al. .... D12/532  
D497,143 S \* 10/2004 Lee et al. .... D12/532  
D526,270 S \* 8/2006 Miyasaka ..... D12/532  
D530,661 S \* 10/2006 Matsumoto et al. .... D12/532  
D601,940 S \* 10/2009 Hughes et al. .... D12/521  
D610,962 S \* 3/2010 Allison et al. .... D12/532  
D651,161 S \* 12/2011 Umstot et al. .... D12/532

D666,139 S \* 8/2012 Miyazaki ..... D12/531  
D686,141 S \* 7/2013 Miyazaki ..... D12/531  
D687,367 S \* 8/2013 Kawasaki ..... D12/532  
D697,021 S \* 1/2014 Ochi ..... D12/532  
D700,880 S \* 3/2014 Takemoto ..... D12/531  
D711,308 S \* 8/2014 Lamb ..... D12/532  
D715,215 S \* 10/2014 Lamb ..... D12/531  
D725,585 S \* 3/2015 Brandau et al. .... D12/531  
D726,642 S \* 4/2015 Sato ..... D12/532

**FOREIGN PATENT DOCUMENTS**

JP D1417021 S 6/2011  
JP D1434493 S 11/2013

\* cited by examiner

*Primary Examiner* — Stacia Cadmus

(74) *Attorney, Agent, or Firm* — Sterne, Kessler, Goldstein  
& Fox P.L.L.C.

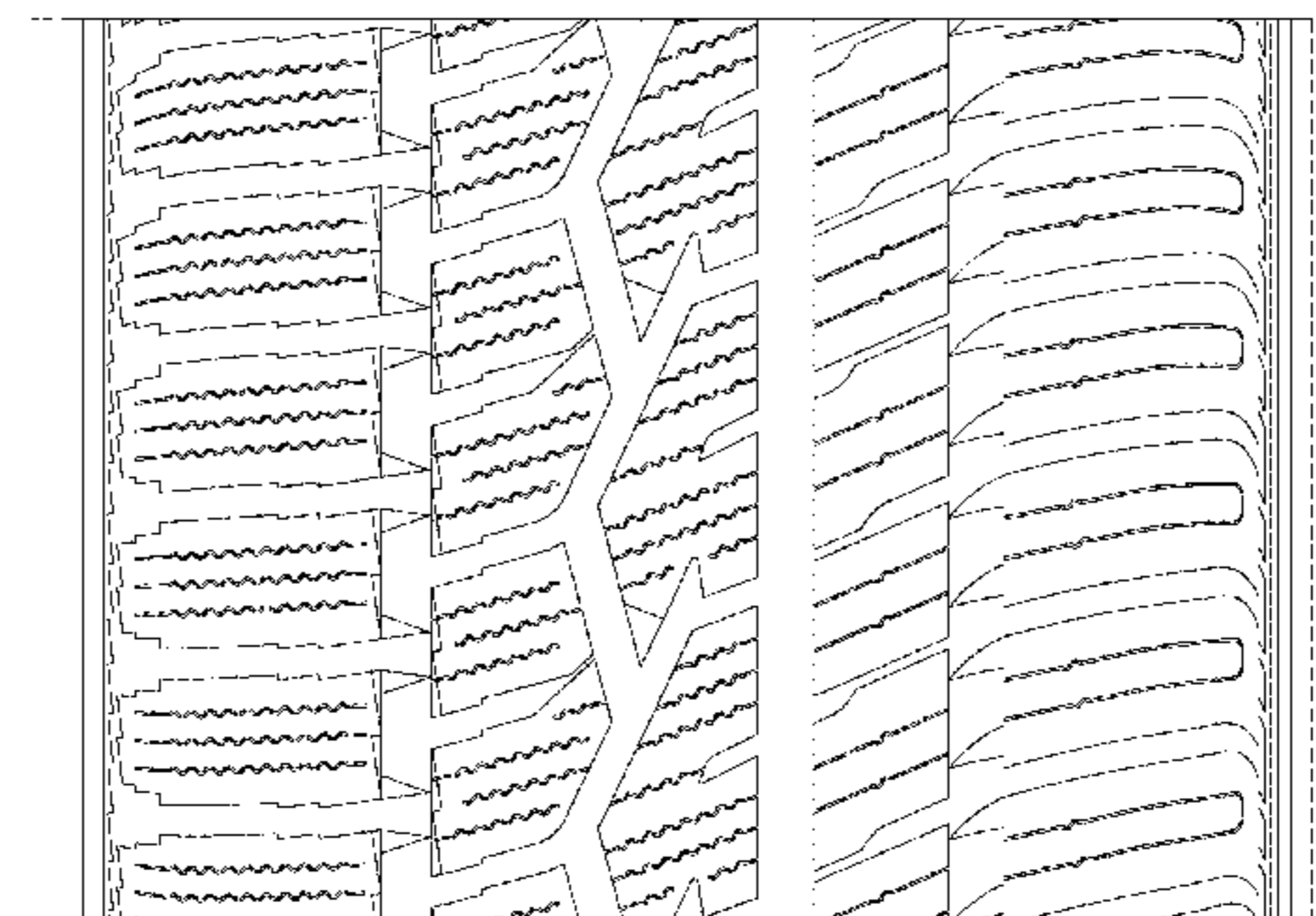
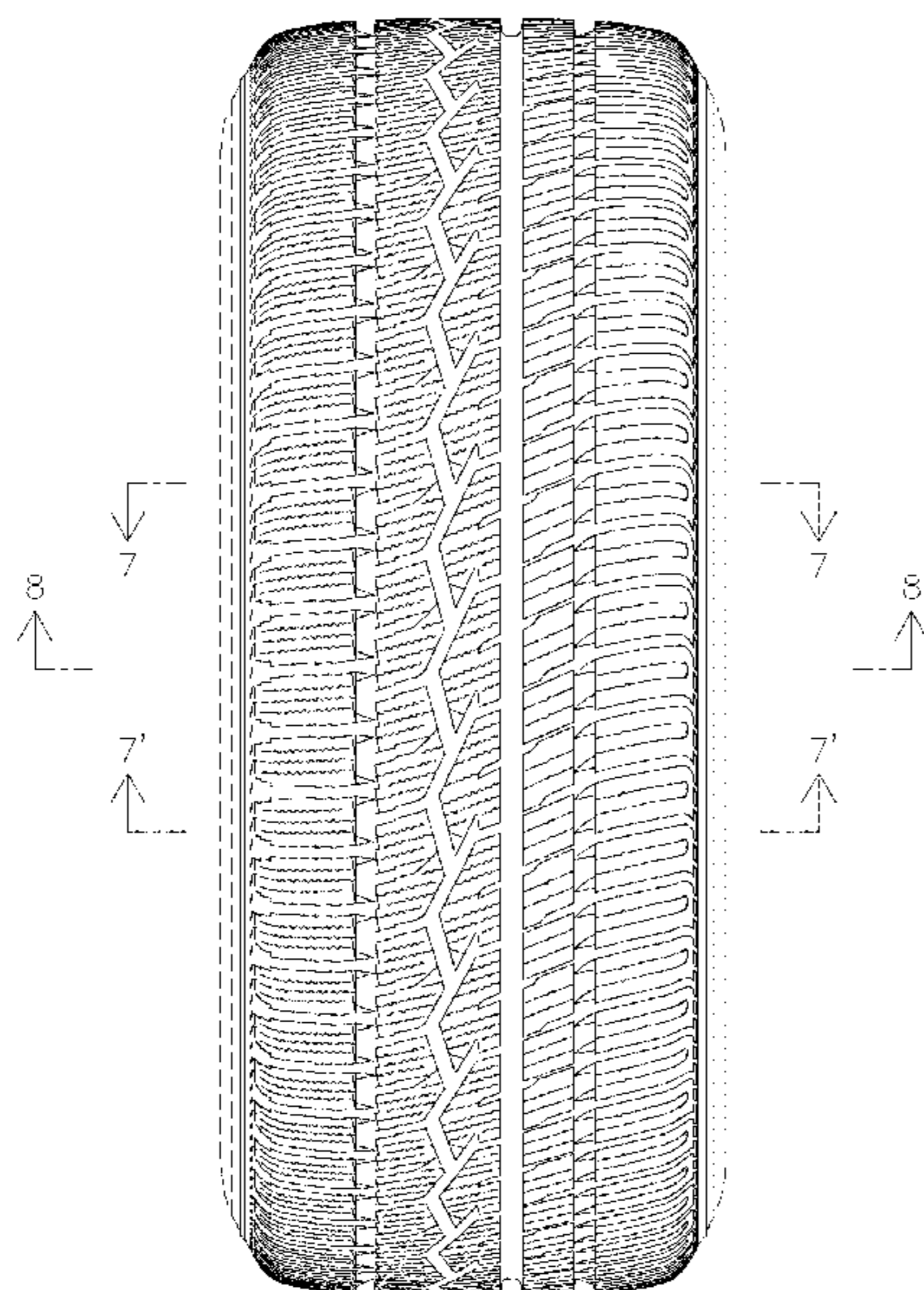
(57) **CLAIM**

The ornamental design for a tire, as shown and described.

**DESCRIPTION**

FIG. 1 is a perspective view of a tire showing my new design;  
FIG. 2 is a front view thereof;  
FIG. 3 is a rear view thereof;  
FIG. 4 is a top plan view thereof, the bottom plan view being  
the same;  
FIG. 5 is a right side view thereof;  
FIG. 6 is a left side view thereof;  
FIG. 7 is an enlarged view taken along lines 7-7 and 7'-7' in  
FIG. 2; and,  
FIG. 8 is an enlarged cross-sectional view taken along line 8-8  
in FIG. 2 and line 8'-8' in FIG. 5.  
In the drawings, the broken lines showing portions of the  
sidewall and inner bead depict portions of the tire that form no  
part of the claimed design.

**1 Claim, 8 Drawing Sheets**



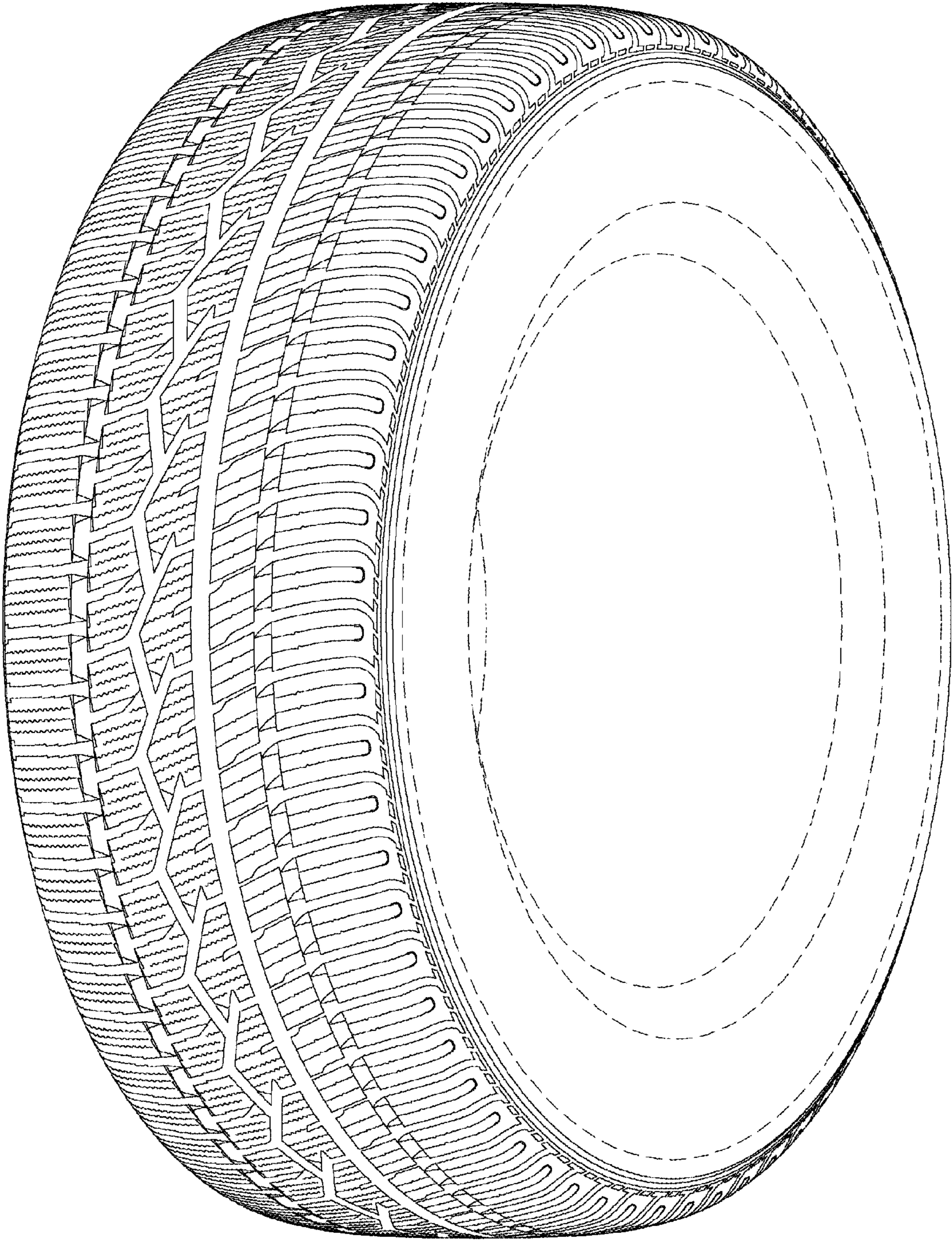


FIG. 1

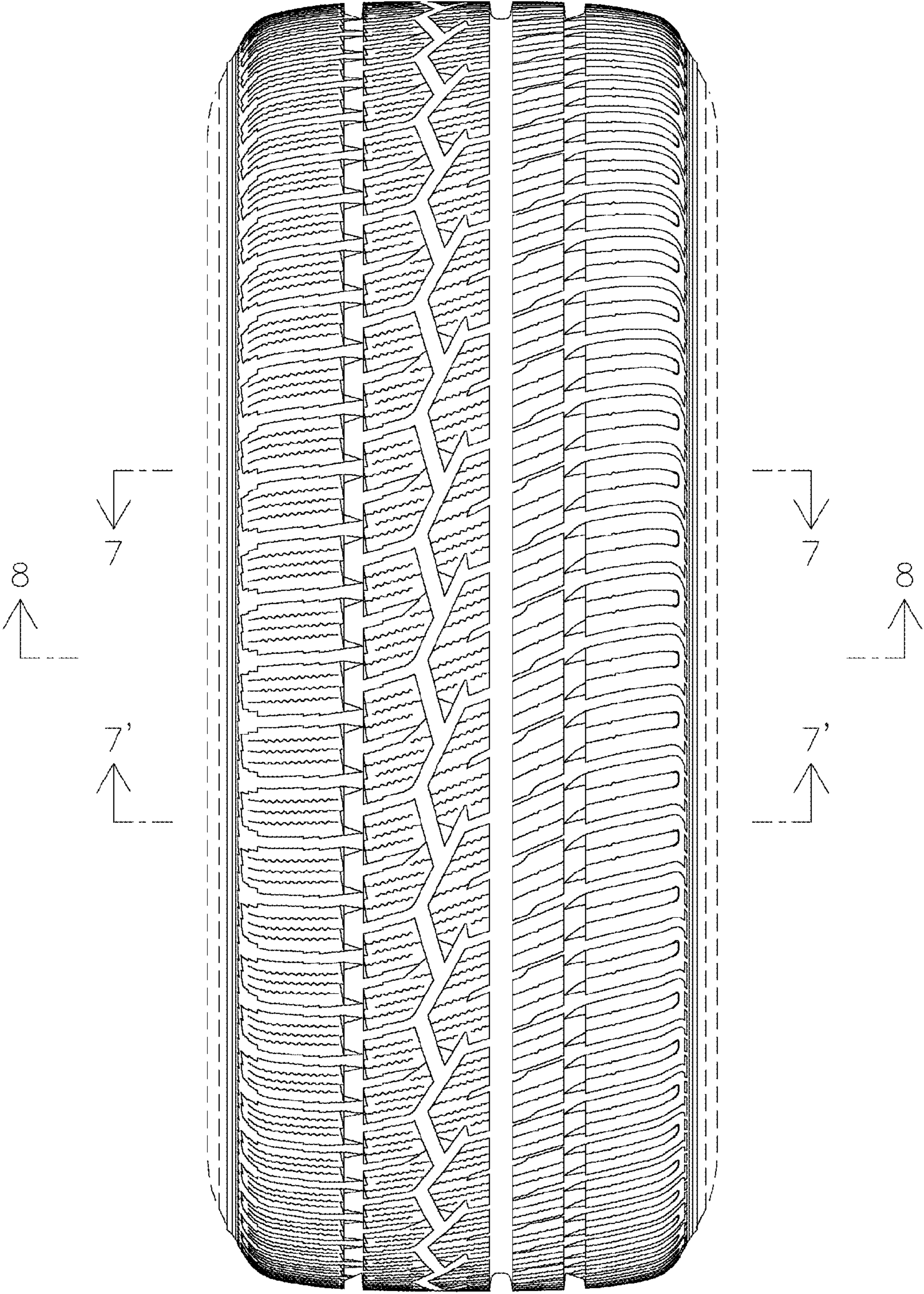


FIG. 2

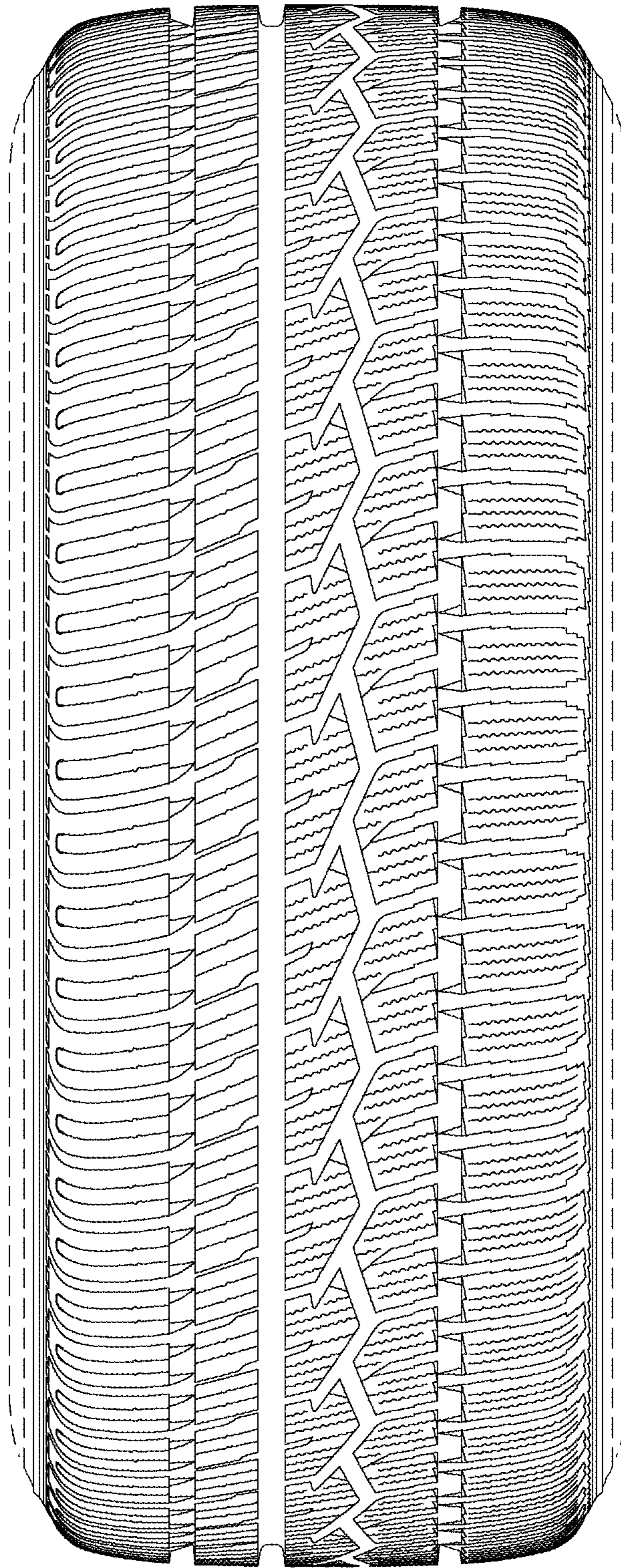


FIG. 3

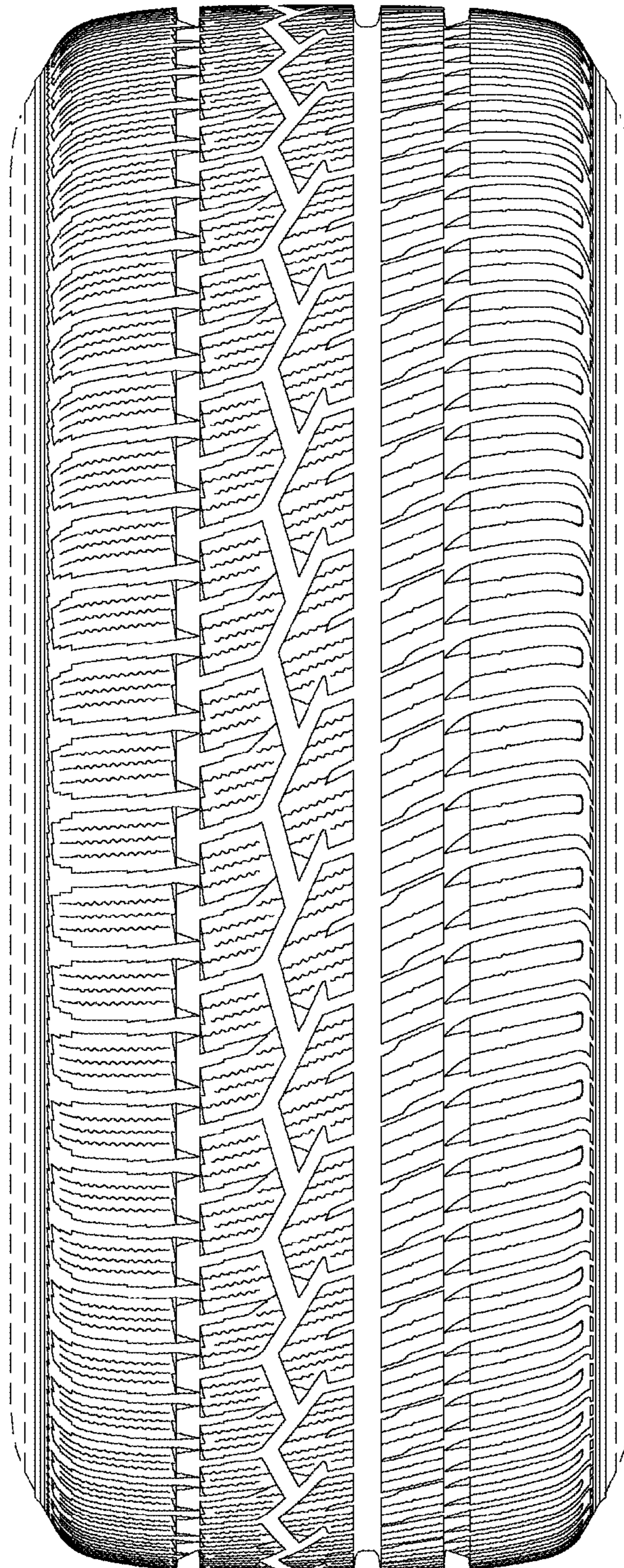


FIG. 4

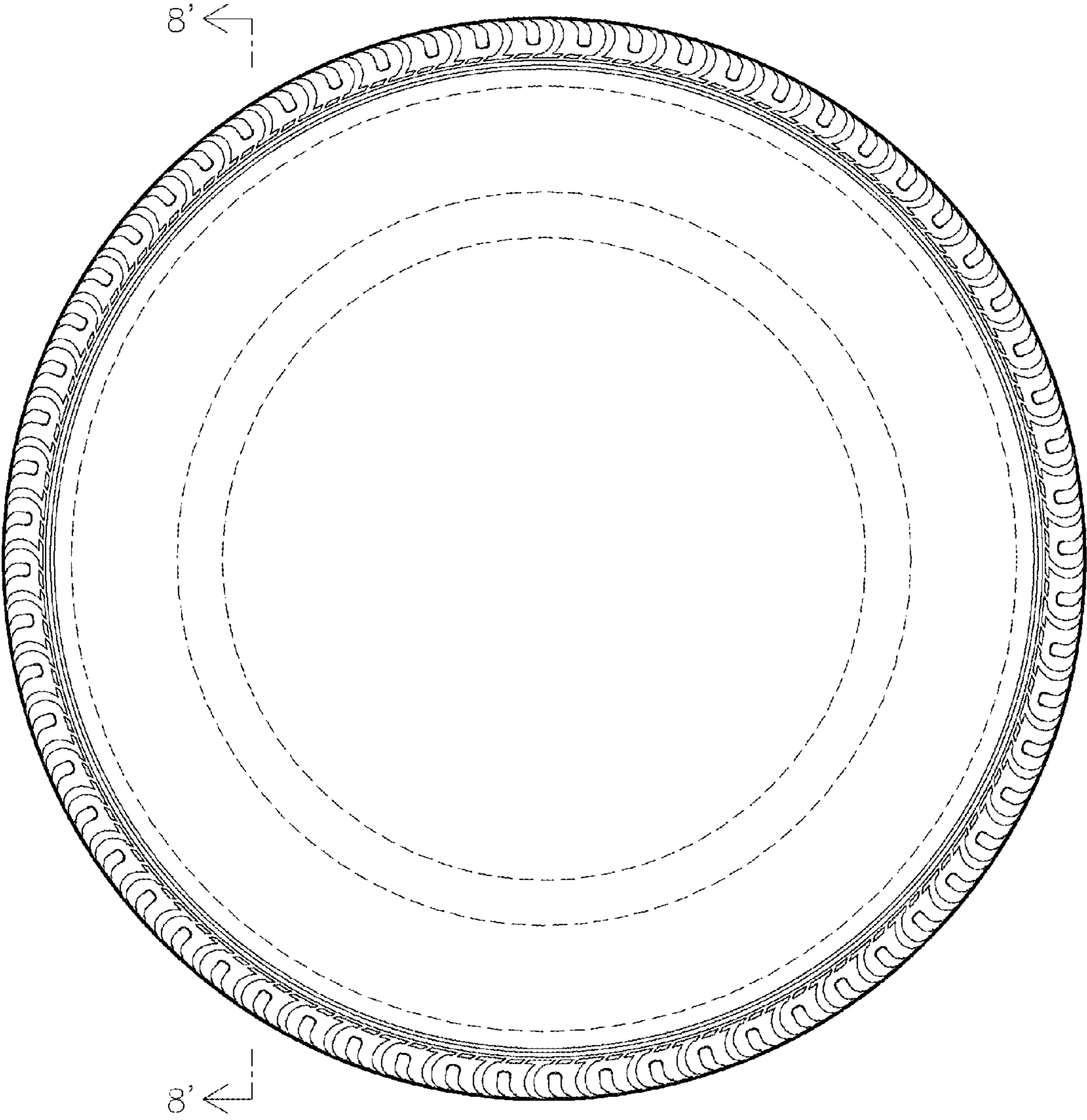


FIG. 5

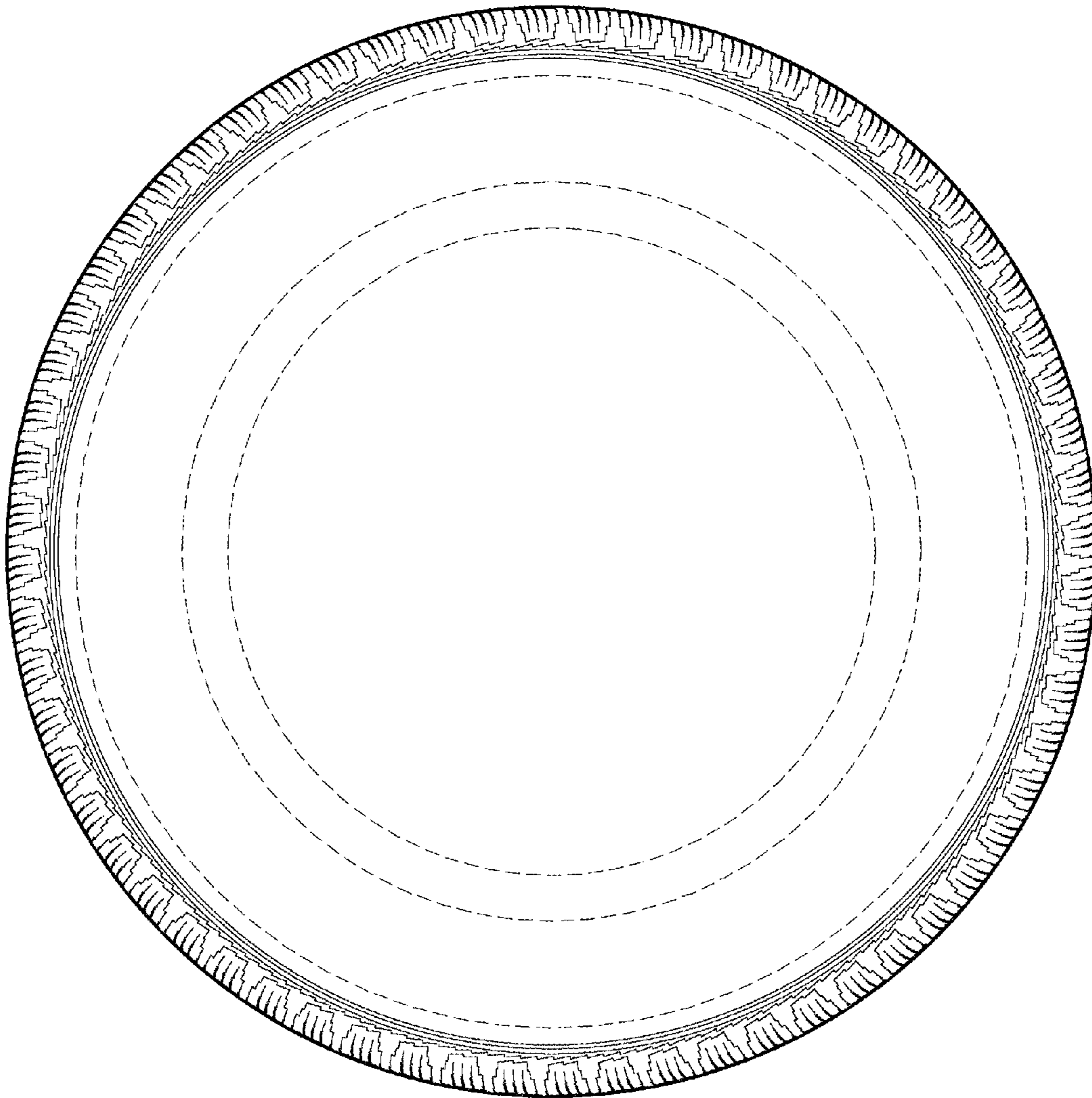


FIG. 6

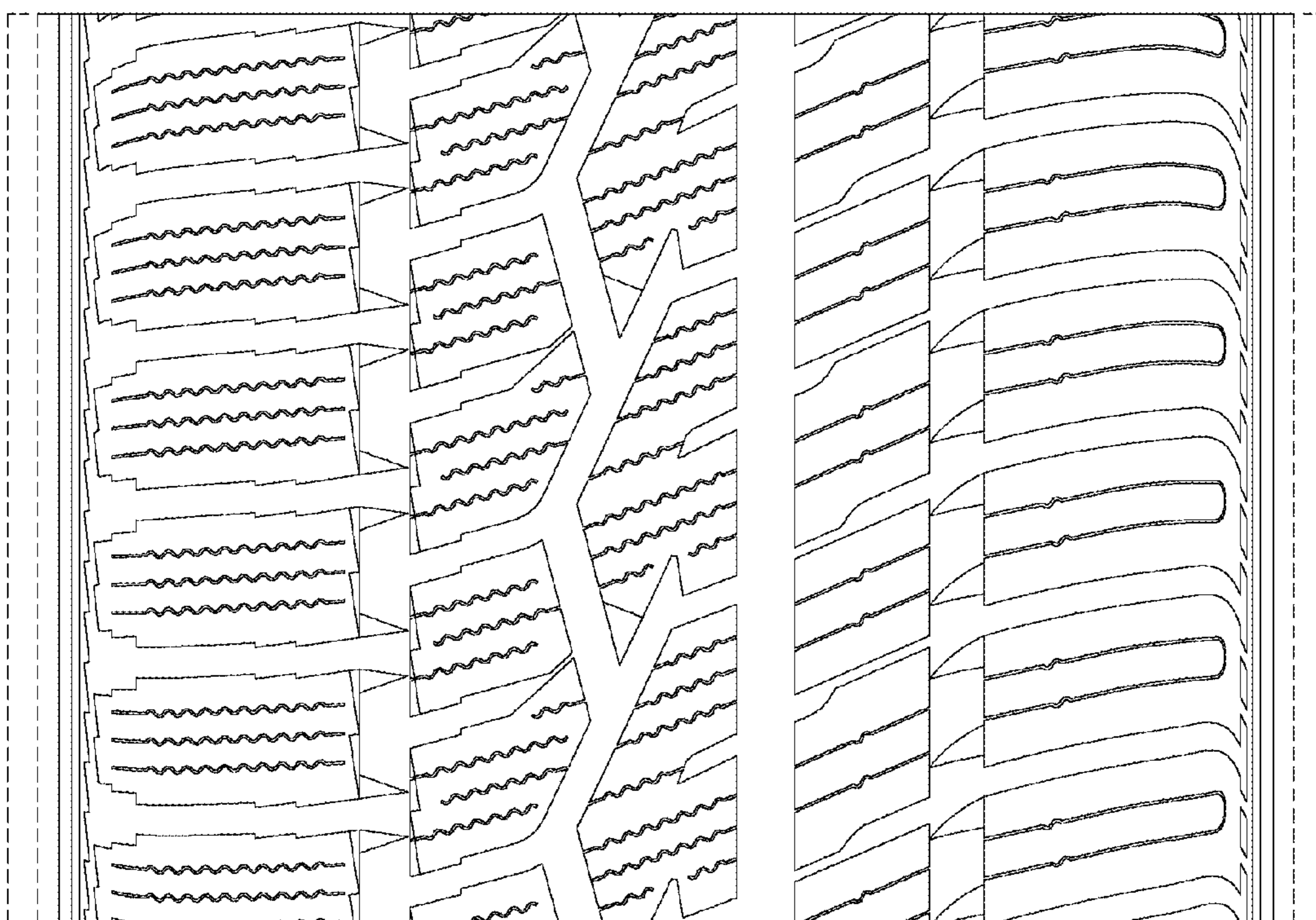


FIG. 7



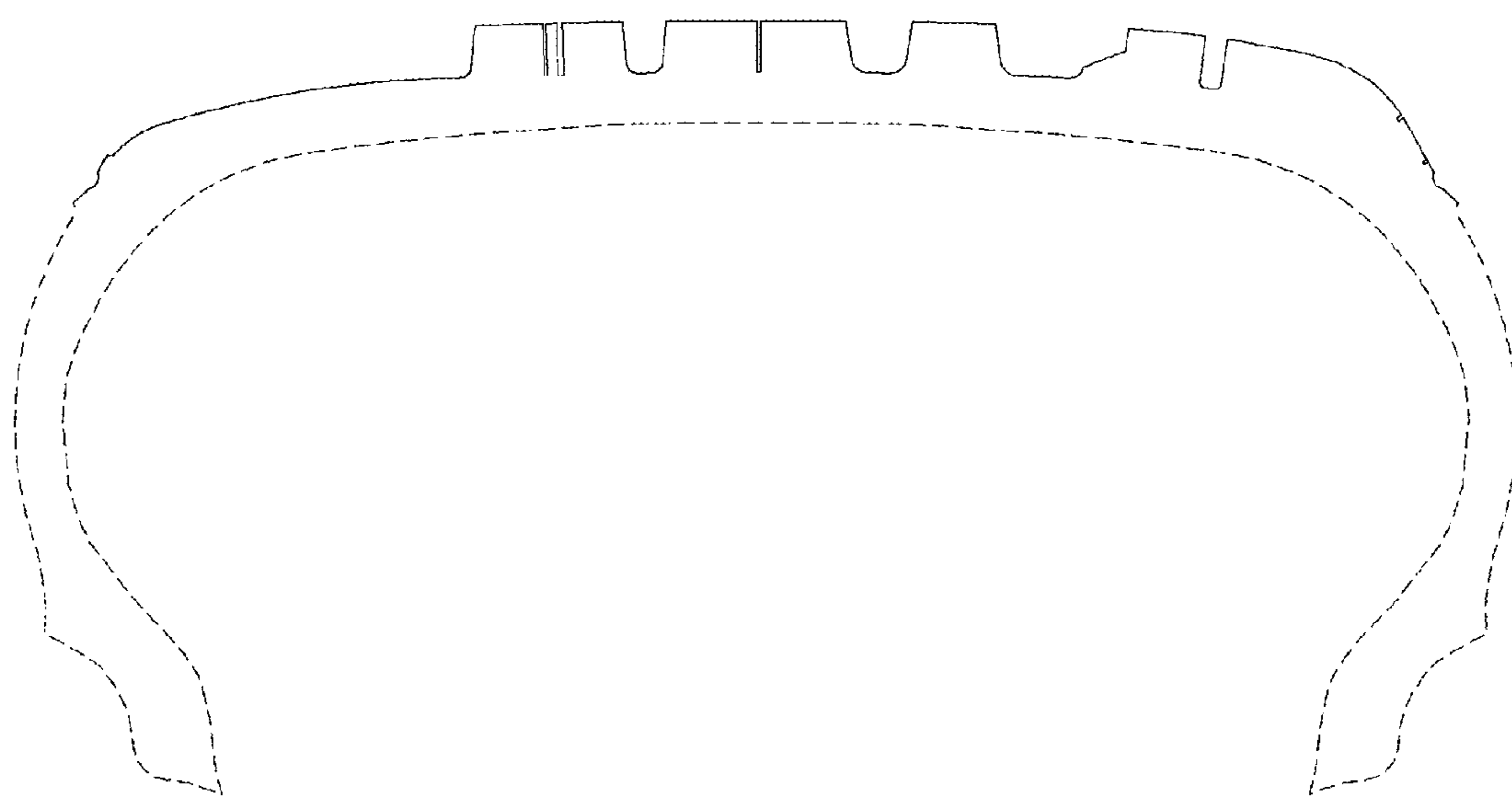


FIG. 8