



US00D738286S

(12) **United States Design Patent**
Lombard et al.

(10) **Patent No.:** **US D738,286 S**
(45) **Date of Patent:** **** Sep. 8, 2015**

(54) **MOUNTING SUPPORT**

FOREIGN PATENT DOCUMENTS

(71) Applicant: **Nathan Sports, Inc.**, Sharon Hill, PA
(US)

DE 29819732 U1 4/1999
DE 10227612 A1 * 1/2003 B62J 11/00

(Continued)

(72) Inventors: **Bridgit Lombard**, Philadelphia, PA
(US); **Canice Harte**, Park City, UT
(US); **Gregory T. Janky**, Sammamish,
WA (US); **Treasure L. Hinds**, Seattle,
WA (US)

OTHER PUBLICATIONS

“Nathan Sports Aerobottle.” Spark—Galleries., Oct. 29, 2012
[online], [retrieved on Oct. 22, 2014]. Retrieved from the Internet
<URL: http://www.sparkawards.com/galleries/index.cfm?entry=CC70722E-DB97-4293-EAE4938BE2DBF5F5&utm_source=Spark+Awards+2013&utm_campaign=SparkAwards2013&utm_medium=email>.*

(Continued)

(73) Assignee: **Nathan Sports, Inc.**, Sharon Hill, PA
(US)

(**) Term: **14 Years**

(21) Appl. No.: **29/468,685**

Primary Examiner — Philip S Hyder

Assistant Examiner — Darlington Ly

(22) Filed: **Oct. 2, 2013**

(74) *Attorney, Agent, or Firm* — Ballard Spahr LLP

Related U.S. Application Data

(62) Division of application No. 29/433,522, filed on Oct. 1, 2012, now Pat. No. Des. 699,175.

(51) **LOC (10) Cl.** **12-16**

(52) **U.S. Cl.**
USPC **D12/411**

(58) **Field of Classification Search**
USPC D12/111, 114, 407, 411; D7/601, 607,
D7/608, 619, 620; 224/42.11, 275,
224/412–427, 431, 432, 436, 440, 441,
224/442–449, 456, 461, 522, 536, 537, 548,
224/552, 563, 570, 571, 926; 248/213.2,
248/227.3, 309.1, 310, 311.2, 312, 312.1;
280/288.4; D8/349
CPC A47B 73/00; A62C 13/78; B60N 3/102;
B62J 11/00

See application file for complete search history.

(56) **References Cited**

U.S. PATENT DOCUMENTS

4,176,770 A * 12/1979 Griggs et al. 224/414
4,830,239 A * 5/1989 Tackles et al. 224/414

(Continued)

(57) **CLAIM**

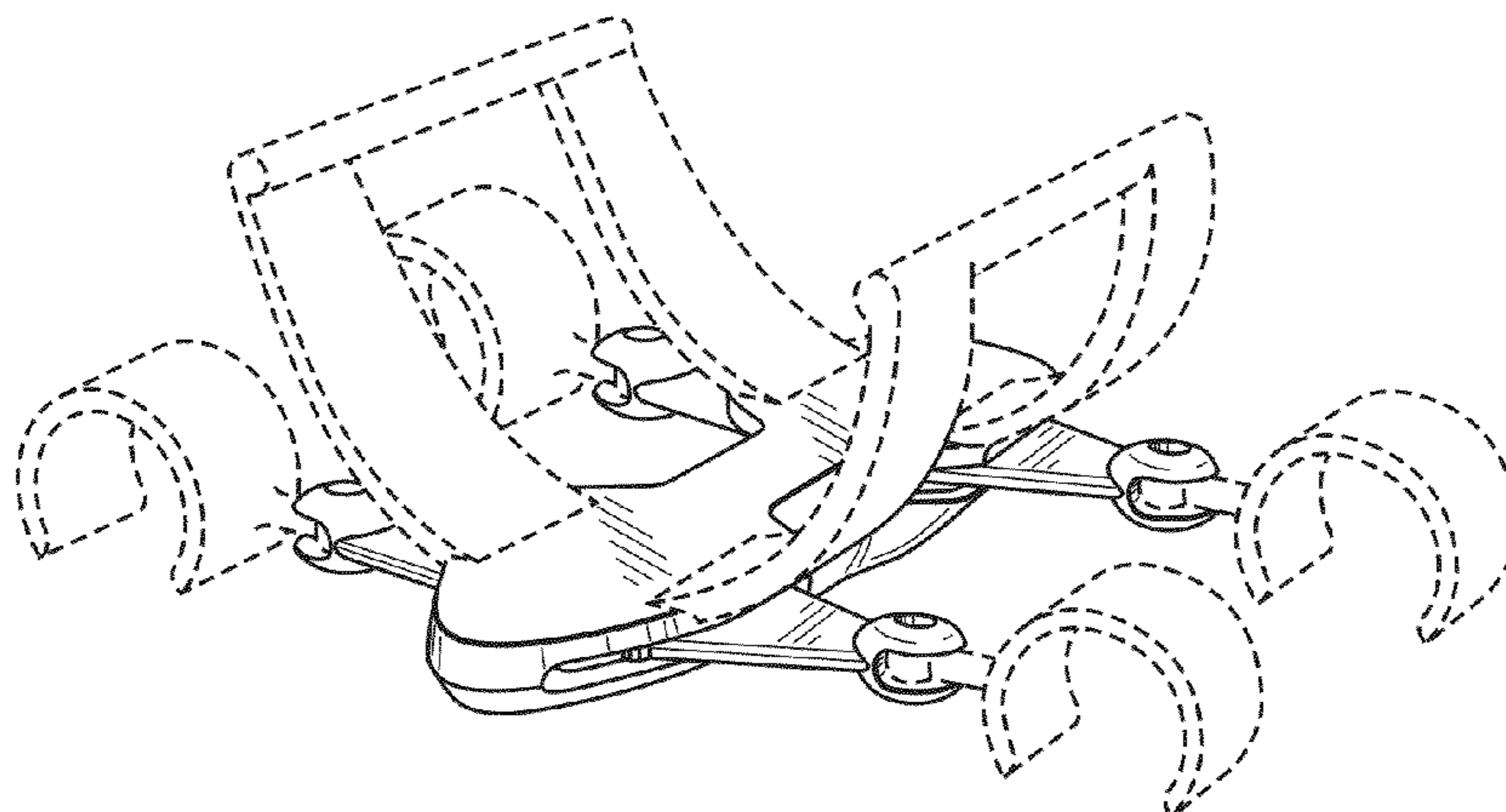
We claim the ornamental design for a mounting support, as shown and described.

DESCRIPTION

FIG. 1 is an isometric left side view, from above, of a design of a mounting support according to our invention;
FIG. 2 is an isometric left side view, from below, of the mounting support shown in FIG. 1;
FIG. 3 is a top view of the mounting support shown in FIG. 1;
FIG. 4 is a right side elevational view of the mounting support shown in FIG. 1, the left side elevational view being a mirror image;
FIG. 5 is a bottom view of the mounting support shown in FIG. 1;
FIG. 6 is a front view of the mounting support shown in FIG. 1; and,
FIG. 7 is a rear view of the mounting support shown in FIG. 1.

The broken lines shown in the drawings illustrate portions of the mounting support and environmental structure that forms no part of claimed design.

1 Claim, 3 Drawing Sheets



(56)

References Cited

U.S. PATENT DOCUMENTS

5,158,218 A 10/1992 Wery
 5,301,860 A * 4/1994 Paczonay 224/414
 D346,996 S * 5/1994 Blackburn D12/411
 D350,873 S 9/1994 Duffy
 D367,999 S * 3/1996 McCallum D7/620
 5,803,328 A 9/1998 Nakahara
 5,810,228 A * 9/1998 Brokering 224/414
 6,145,695 A 11/2000 Garrigues
 D507,232 S * 7/2005 Xie D12/411
 6,953,135 B2 10/2005 Litton
 D638,299 S 5/2011 Bernstein
 D640,345 S 6/2011 Corsello
 D684,104 S * 6/2013 Goldman D12/411
 D699,175 S * 2/2014 Lombard et al. D12/420
 2007/0012740 A1 1/2007 Montgomery
 2007/0068985 A1 3/2007 Nakahara
 2008/0053266 A1 3/2008 Smolik
 2010/0170925 A1 * 7/2010 Osten et al. 224/414
 2010/0257973 A1 10/2010 White

2011/0042435 A1* 2/2011 Weng et al. 224/414
 2011/0272403 A1 11/2011 Corsello
 2012/0037677 A1 2/2012 Valiquette
 2012/0104063 A1* 5/2012 Sweigart 224/414
 2012/0280096 A1* 11/2012 Goldman 248/224.8

FOREIGN PATENT DOCUMENTS

JP 05305887 A * 11/1993 B62J 11/00
 JP 2007302241 A * 11/2007 B62J 11/00
 JP 3153241 U * 8/2009 B62J 11/00

OTHER PUBLICATIONS

DC Rainmaker. "Profile Design Aero HC Aerobottle + Bike Computer Mount Review." DC Rainmaker., Apr. 30, 2013 [online], [retrieved on Oct. 22, 2014]. Retrieved from the Internet <URL: <http://www.dcrainmaker.com/2013/04/profile-aerobottle-computer.html>>.*

* cited by examiner

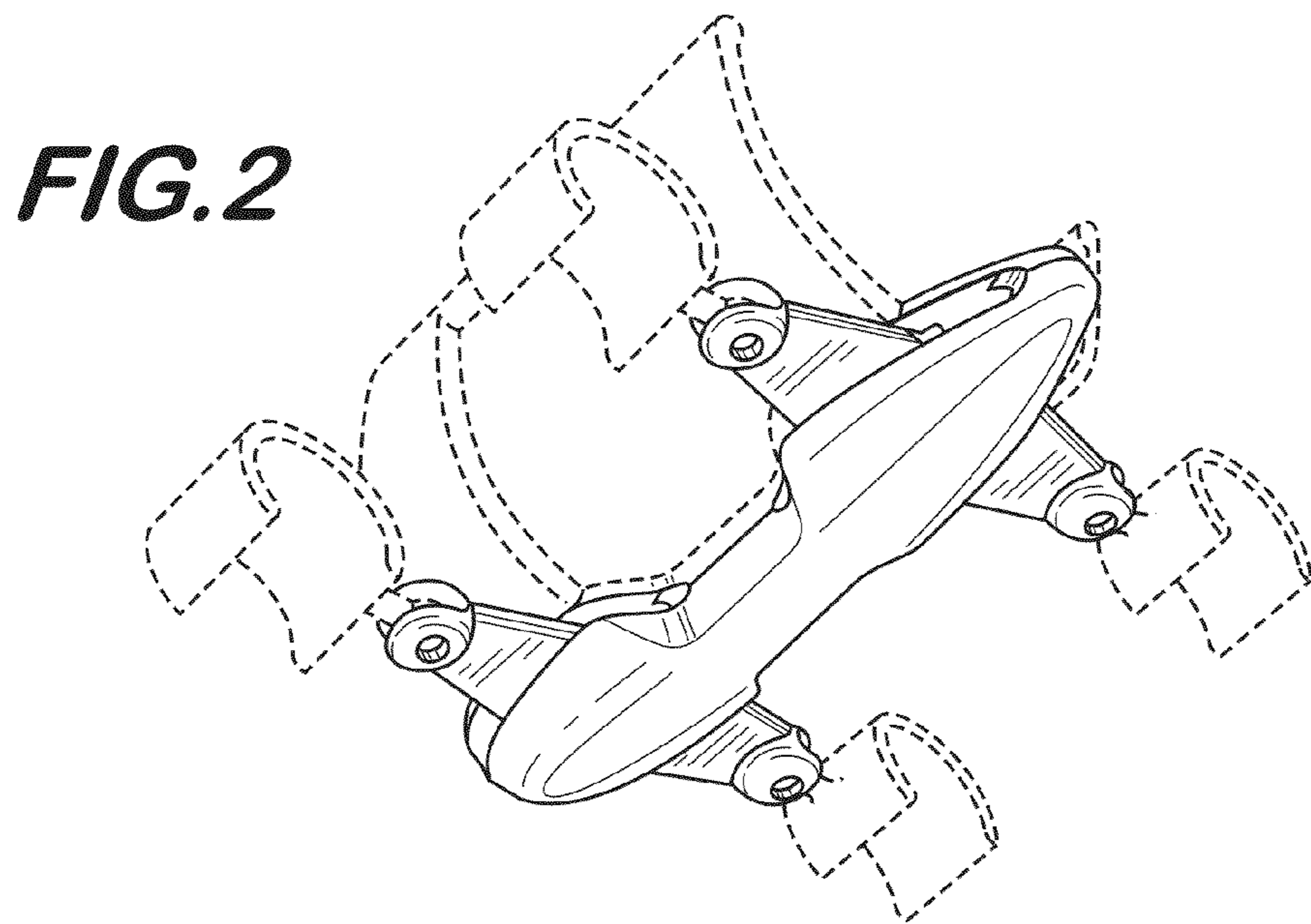
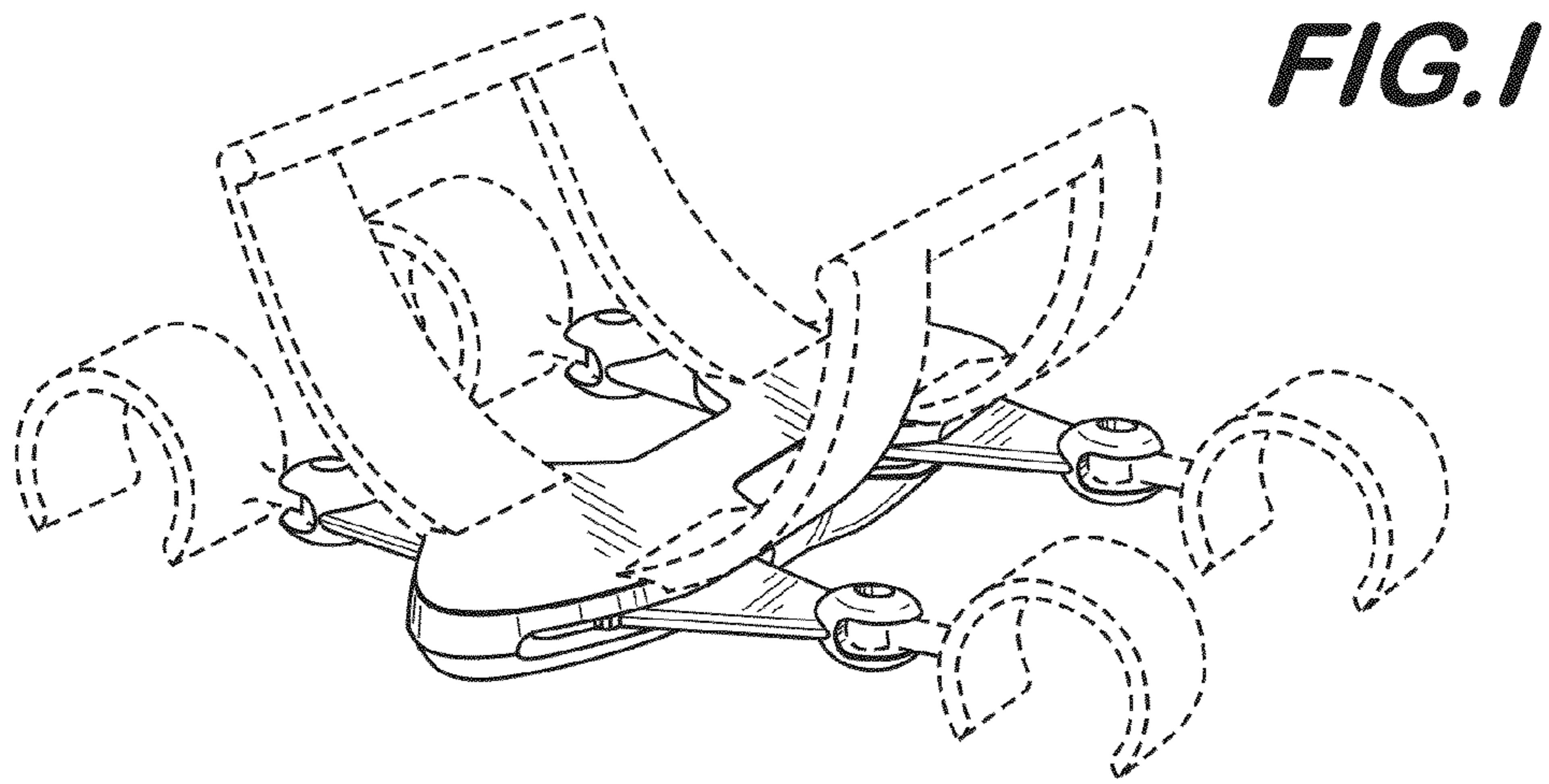


FIG.3

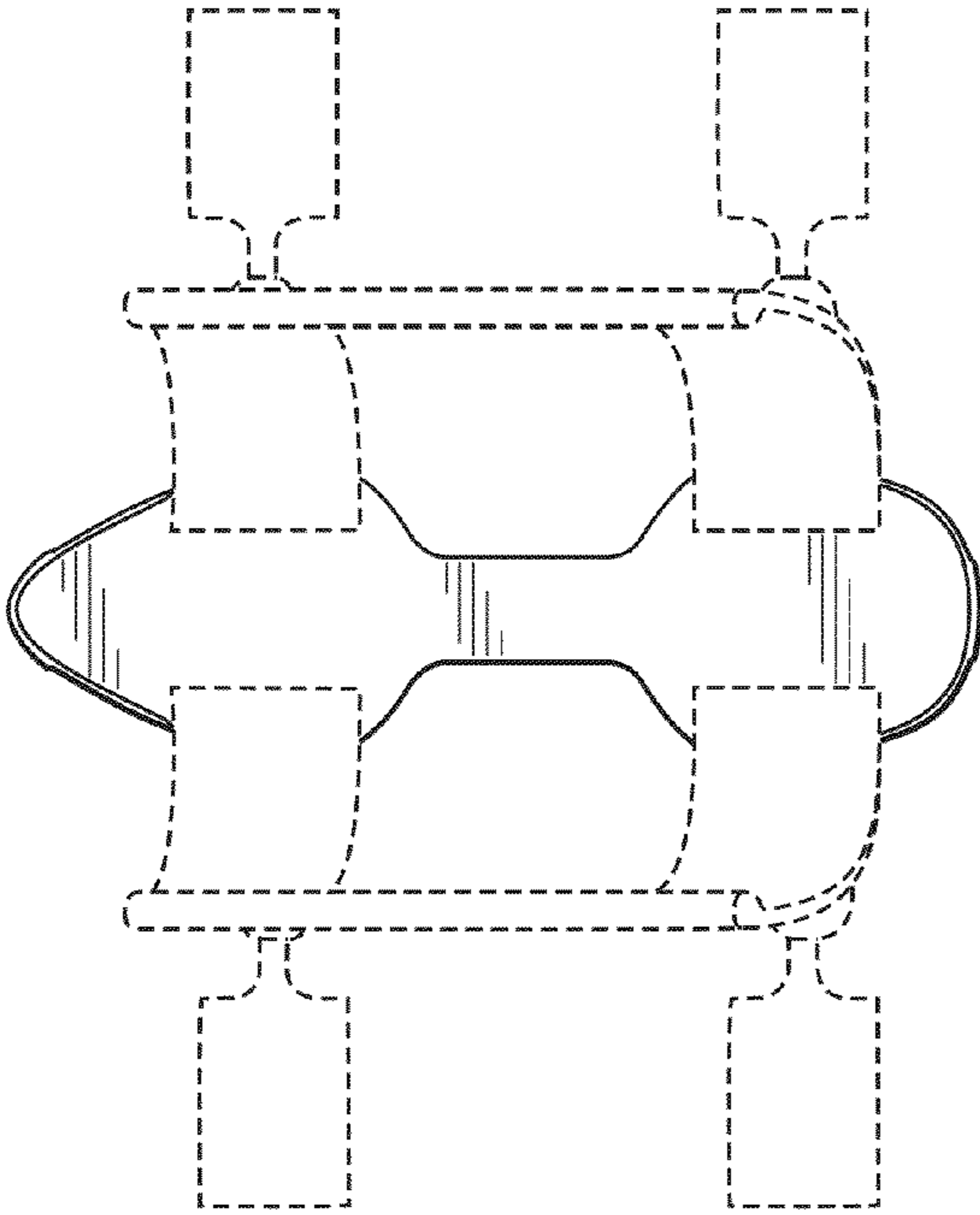


FIG.4

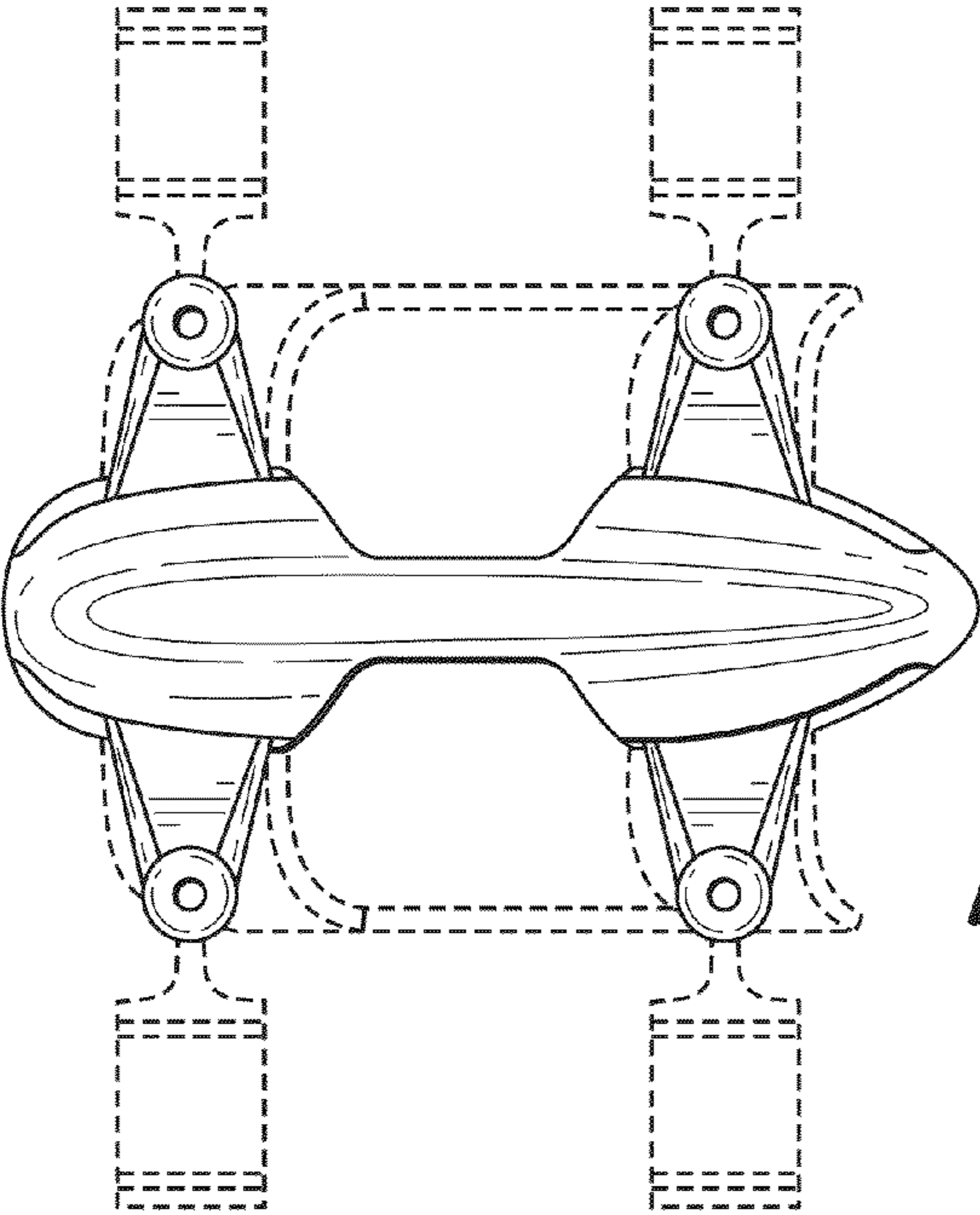
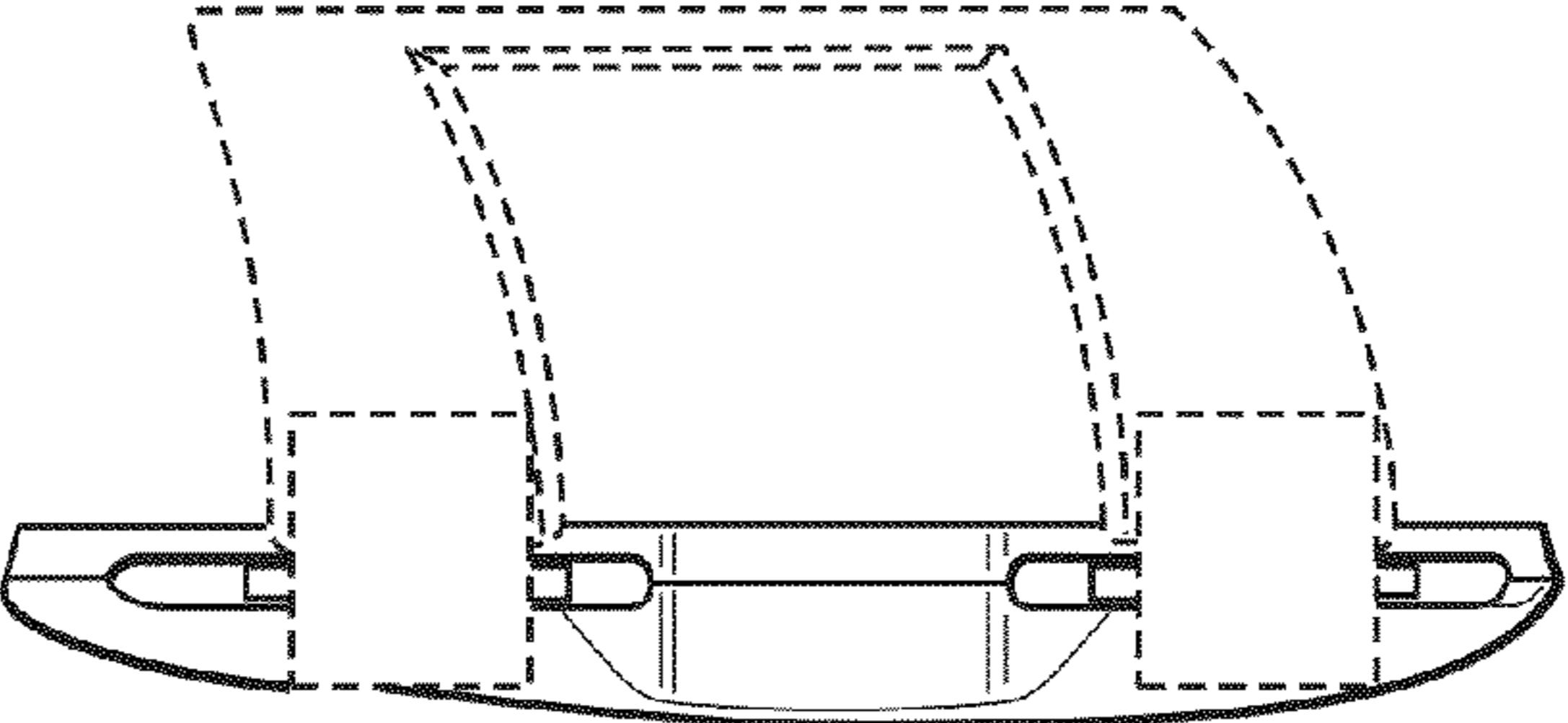


FIG.5

FIG. 6

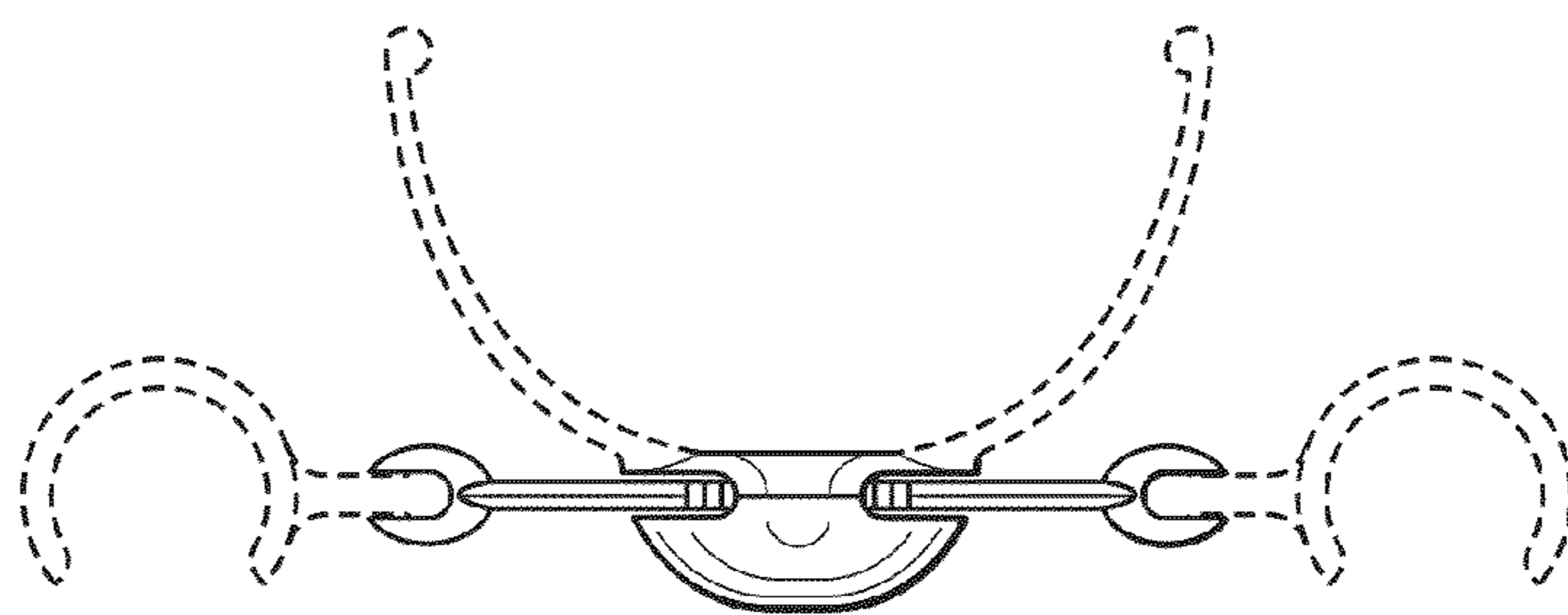
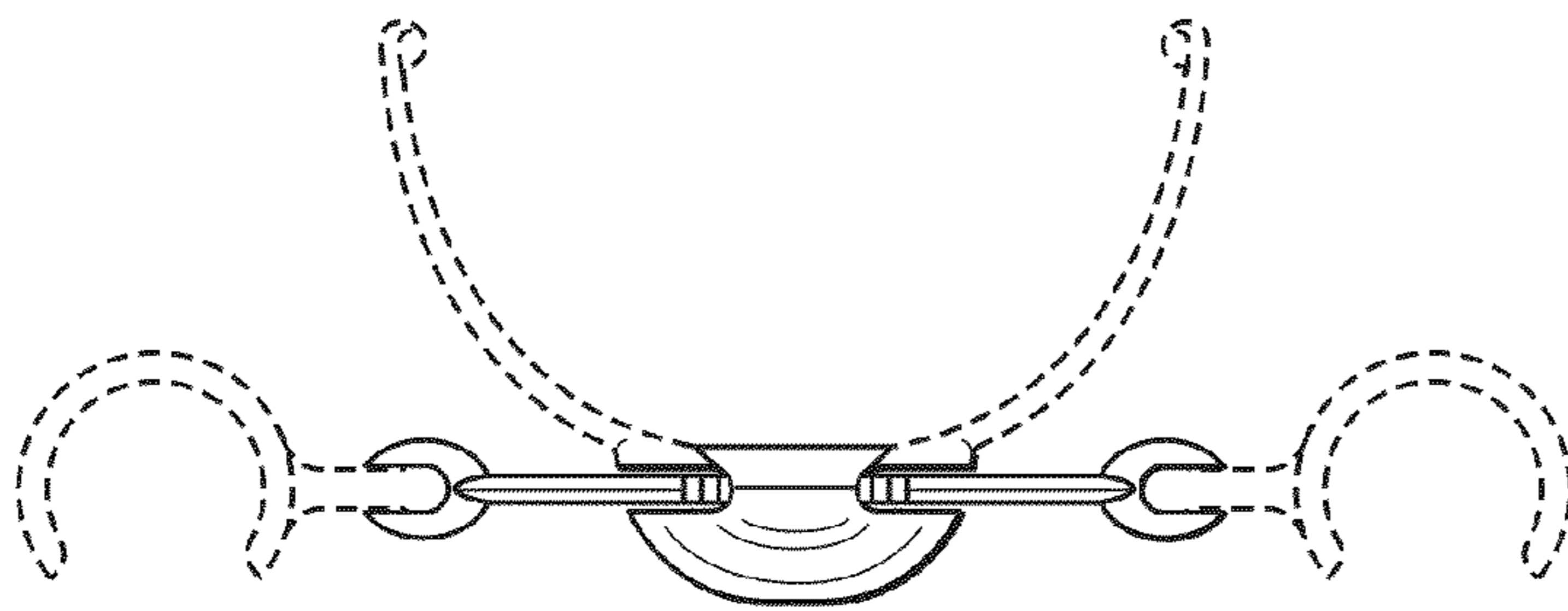


FIG. 7