



US00D738285S

(12) **United States Design Patent**
Franta

(10) **Patent No.:** **US D738,285 S**

(45) **Date of Patent:** **** Sep. 8, 2015**

(54) **STACKABLE BLOCK**

(71) Applicant: **John Eugene Franta**, Grover Beach, CA (US)

(72) Inventor: **John Eugene Franta**, Grover Beach, CA (US)

(**) Term: **14 Years**

(21) Appl. No.: **29/506,463**

(22) Filed: **Oct. 16, 2014**

(51) **LOC (10) Cl.** **12-06**

(52) **U.S. Cl.**
USPC **D12/317; D8/360**

(58) **Field of Classification Search**
USPC D12/317; D8/349, 360
CPC B66D 2700/028; B66D 3/06; B66D 3/08;
B63H 9/00; B63H 9/10
See application file for complete search history.

(56) **References Cited**

U.S. PATENT DOCUMENTS

3,827,514	A *	8/1974	Bradley	177/147
D260,963	S *	9/1981	Merry	D8/360
D269,410	S *	6/1983	Johansson	D8/367
D269,411	S *	6/1983	Johansson	D8/367
D293,881	S *	1/1988	Hartlmeier et al.	D8/360
4,719,869	A *	1/1988	Harken et al.	114/102.19
5,485,800	A *	1/1996	Lob	114/204
D658,487	S *	5/2012	Chih	D8/360
D685,715	S *	7/2013	Franta	D12/317

* cited by examiner

Primary Examiner — Cynthia M Chin

(74) *Attorney, Agent, or Firm* — Ronald R. Kilponen

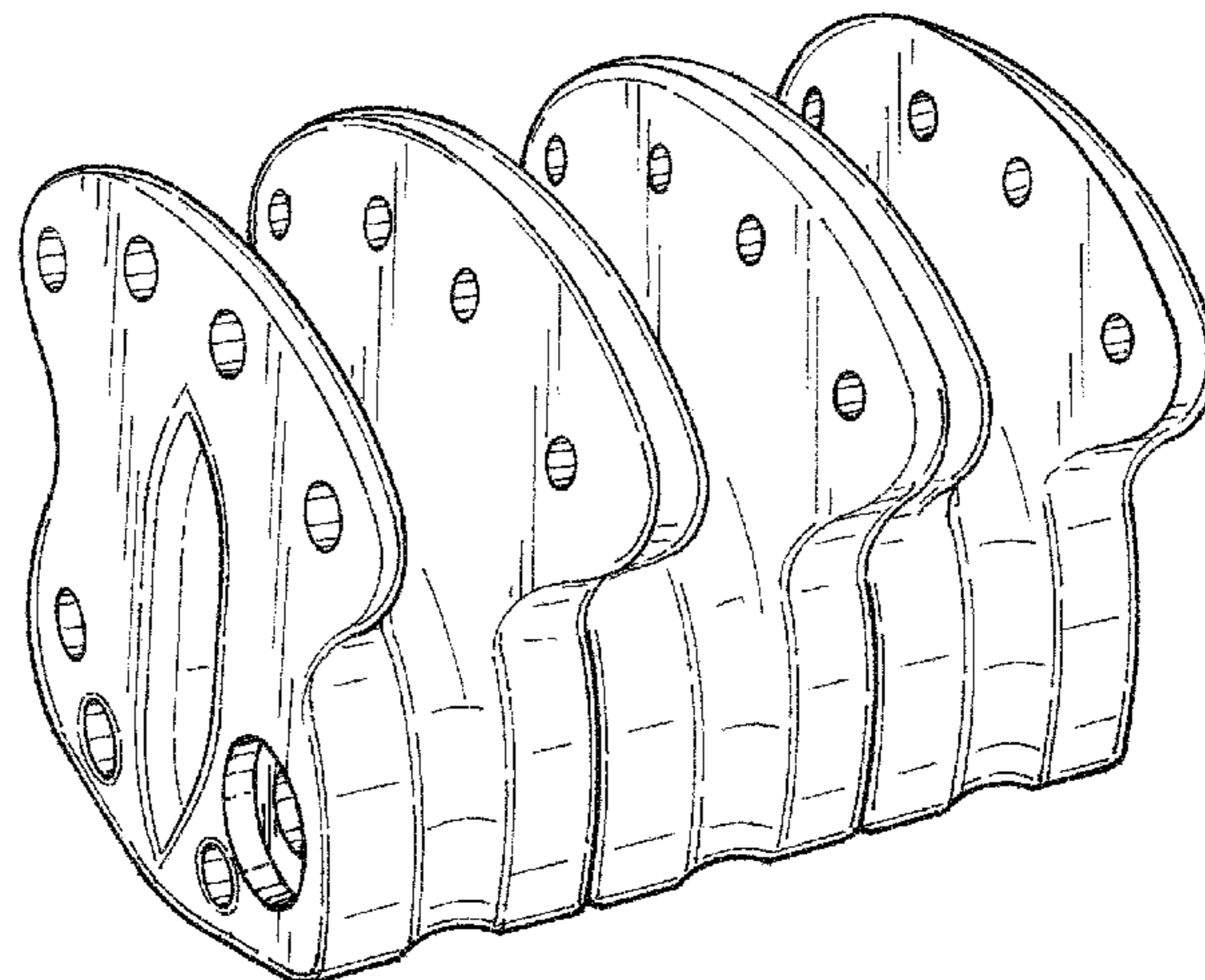
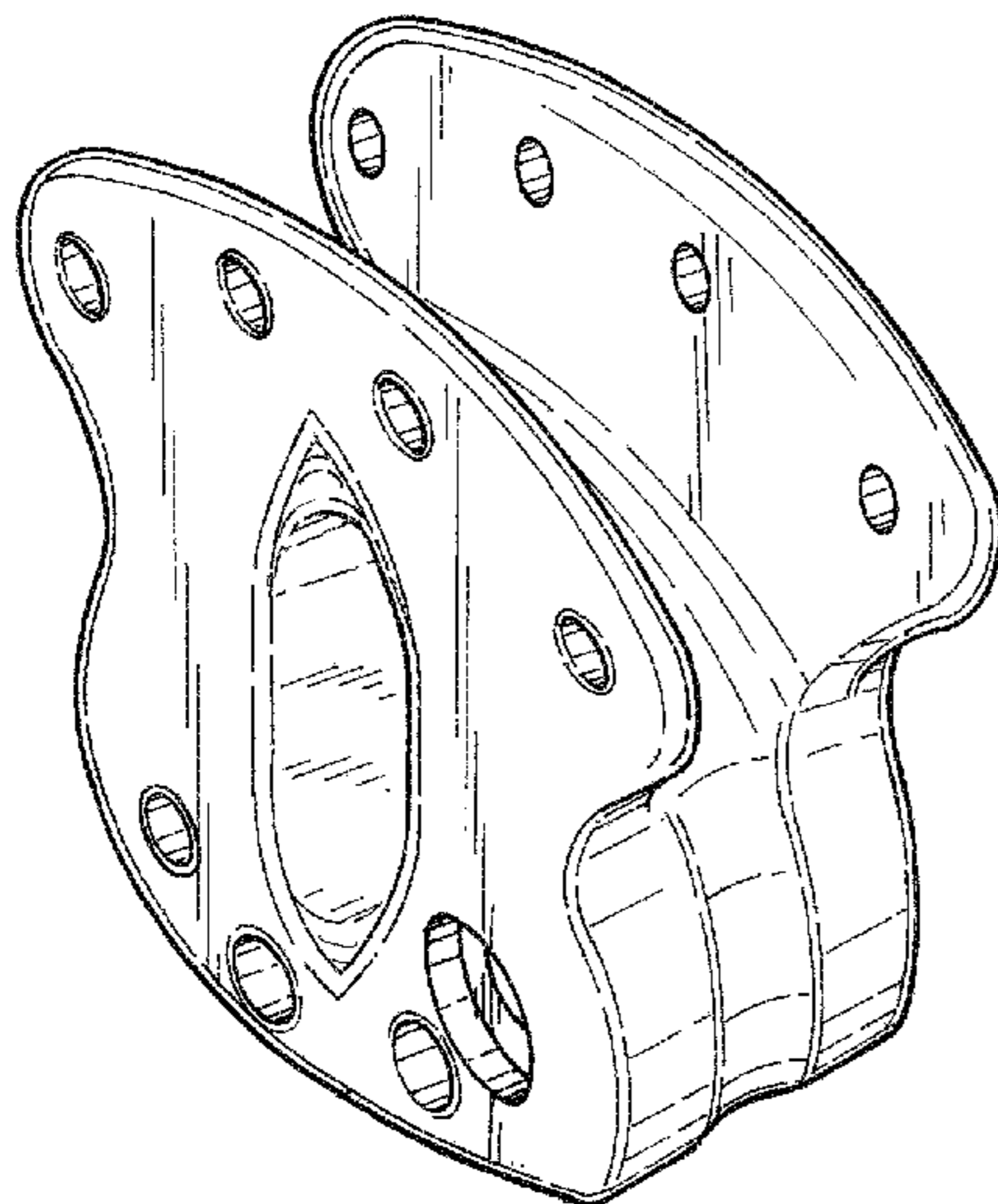
(57) **CLAIM**

I claim the ornamental design for the stackable block, as shown and described.

DESCRIPTION

FIG. 1 is a front view of a first embodiment of the stackable block showing the new design;
 FIG. 2 is a back view thereof;
 FIG. 3 is a left side view thereof;
 FIG. 4 is a right side view thereof;
 FIG. 5 is a top view thereof;
 FIG. 6 is a bottom view thereof;
 FIG. 7 is a top perspective view thereof.
 FIG. 8 is a front view of a second embodiment of the stackable block showing the new design;
 FIG. 9 is a back view thereof;
 FIG. 10 is a left side view thereof;
 FIG. 11 is a right side view thereof;
 FIG. 12 is a top view thereof;
 FIG. 13 is a bottom view thereof;
 FIG. 14 is a top perspective view thereof.
 FIG. 15 is a front view of a second embodiment of the stackable block showing the new design;
 FIG. 16 is a back view thereof;
 FIG. 17 is a left side view thereof;
 FIG. 18 is a right side view thereof;
 FIG. 19 is a top view thereof;
 FIG. 20 is a bottom view thereof; and
 FIG. 21 is a top perspective view thereof.

1 Claim, 12 Drawing Sheets



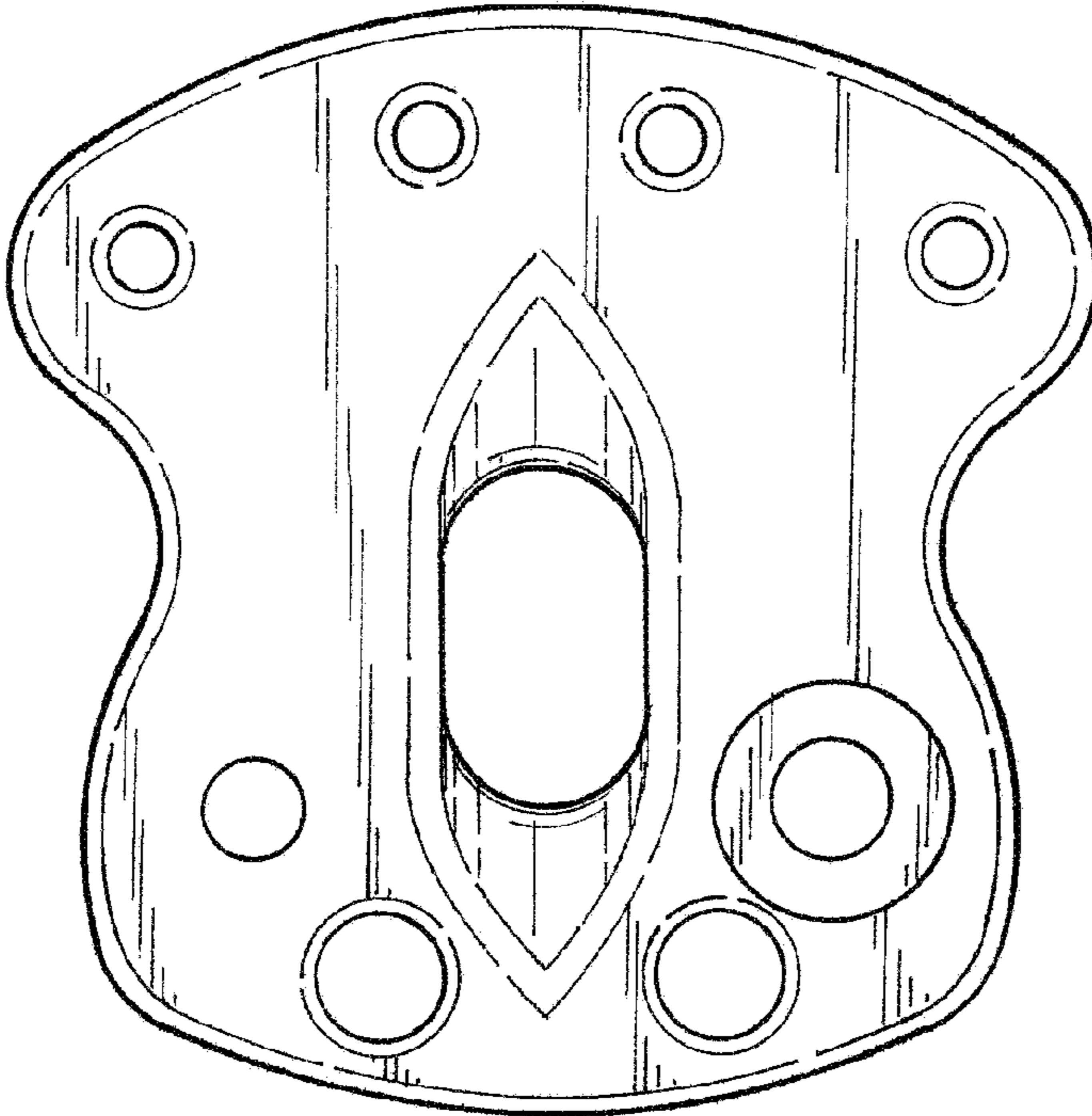


FIG.1

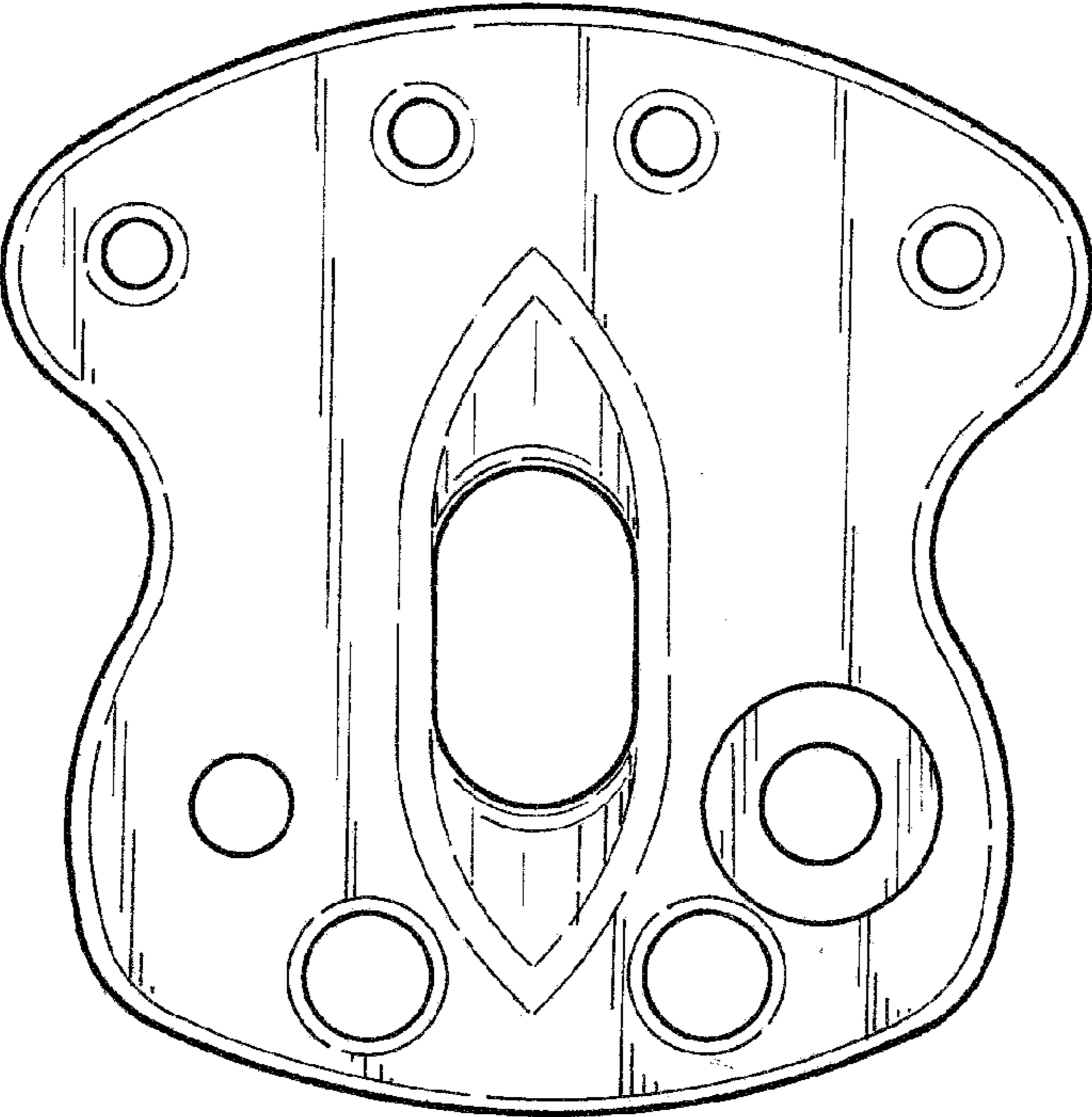


FIG.2

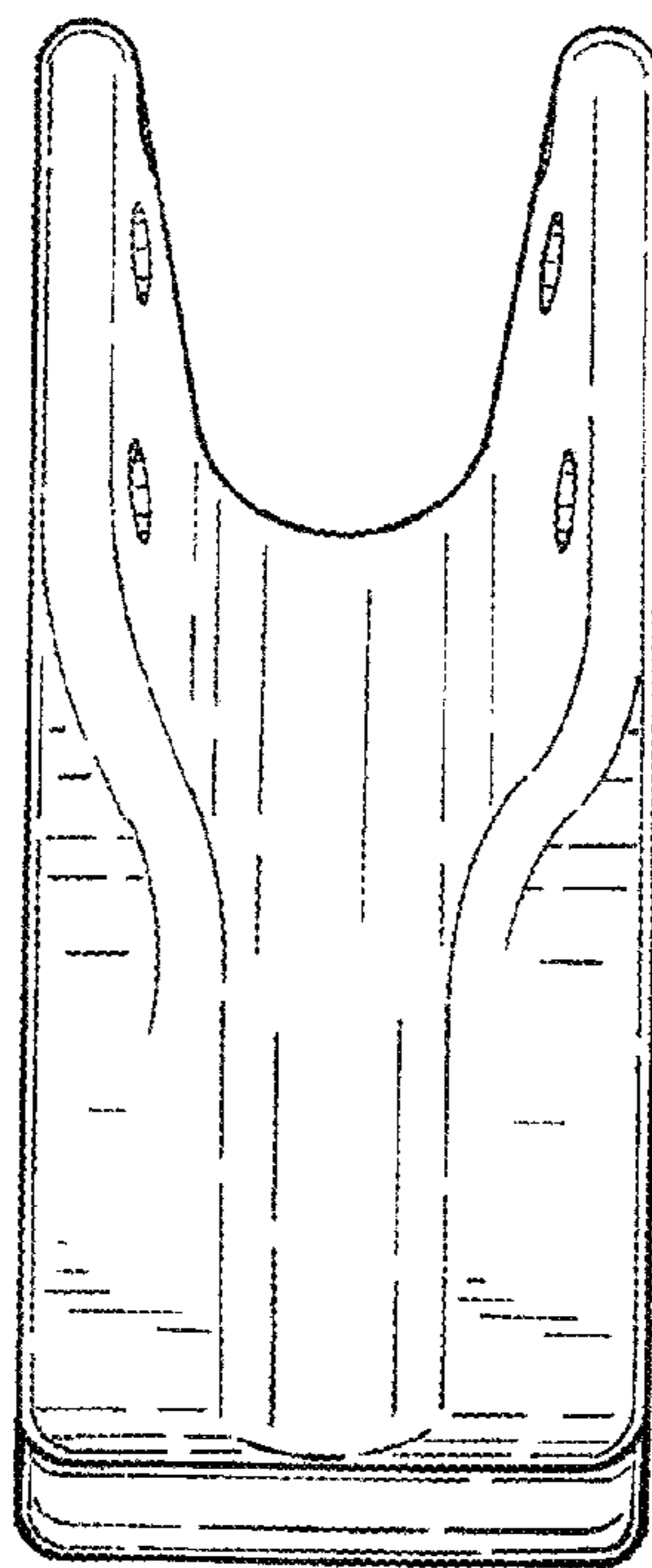


FIG.3

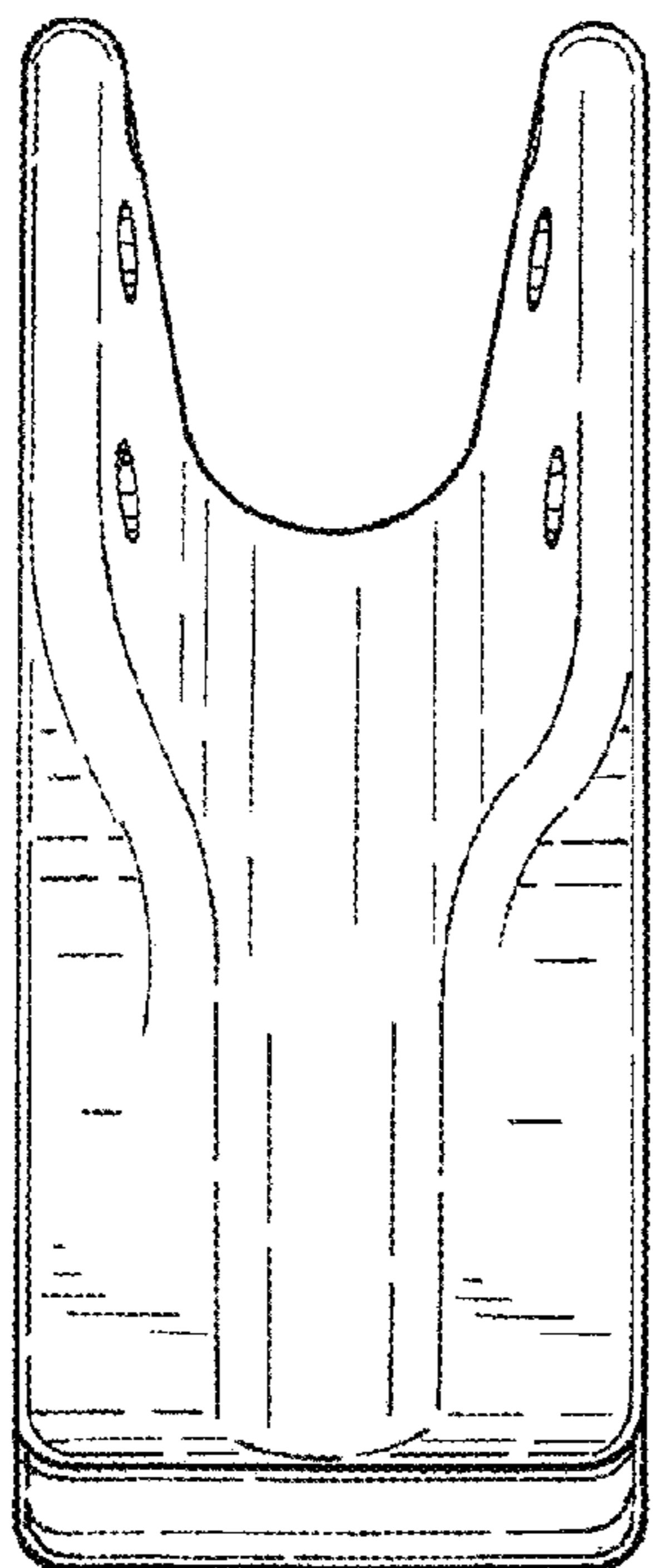


FIG.4

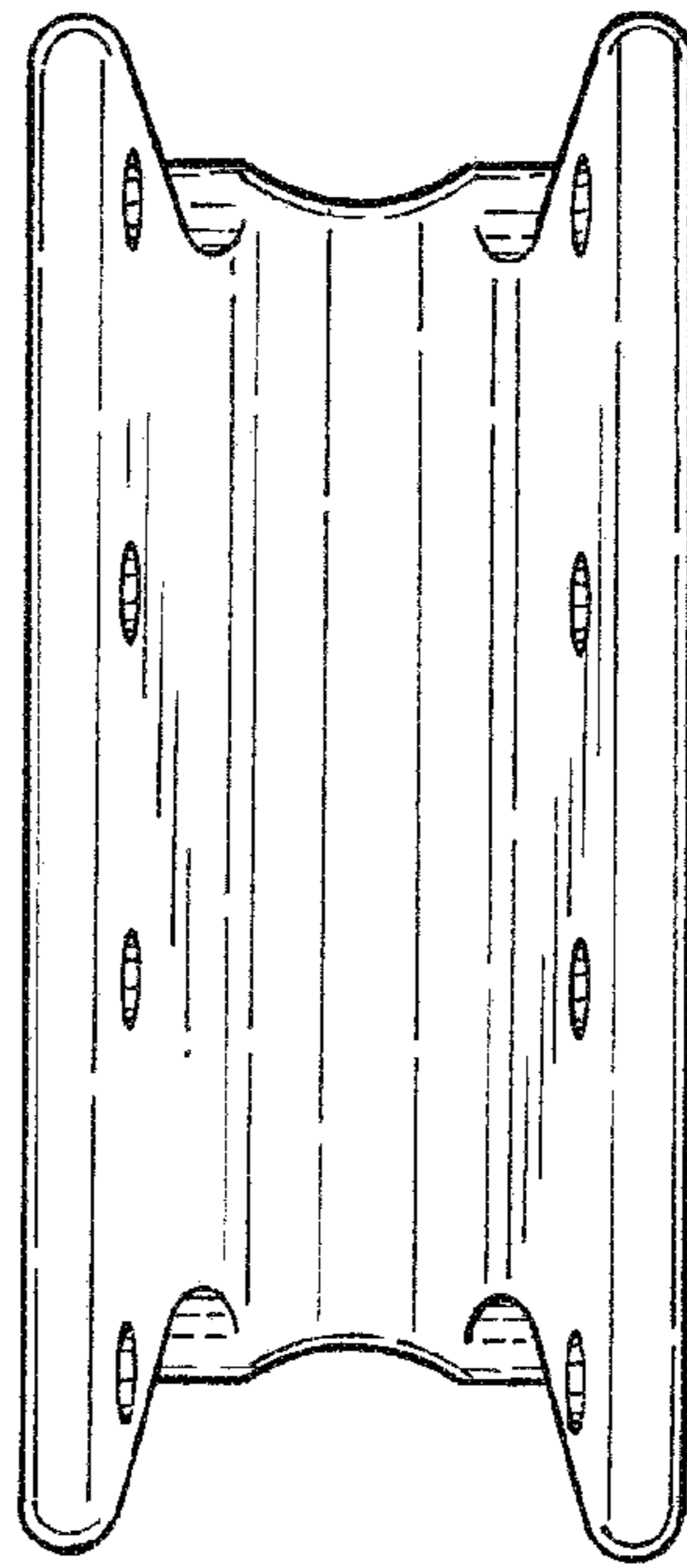


FIG. 5

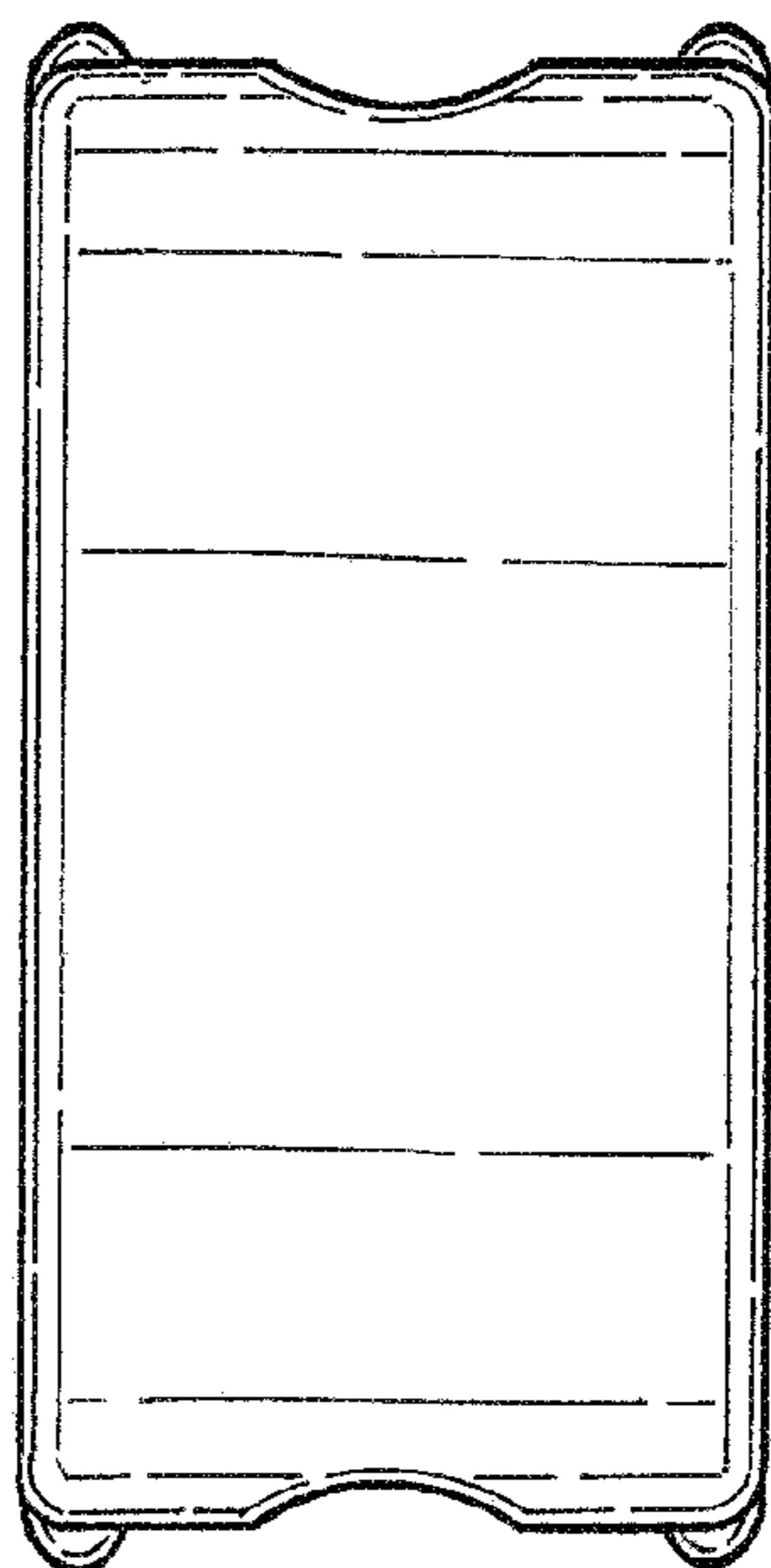


FIG. 6

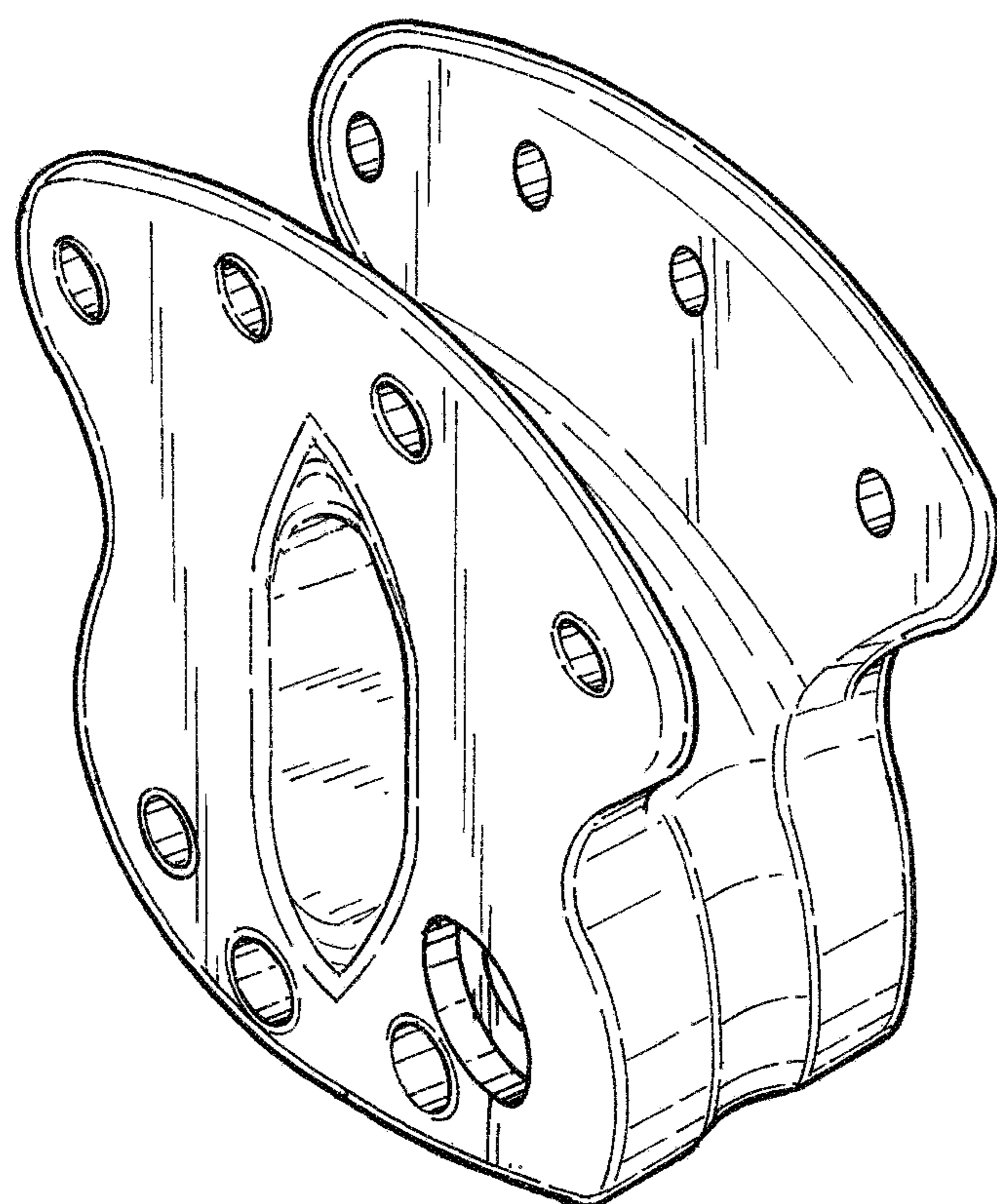


FIG.7

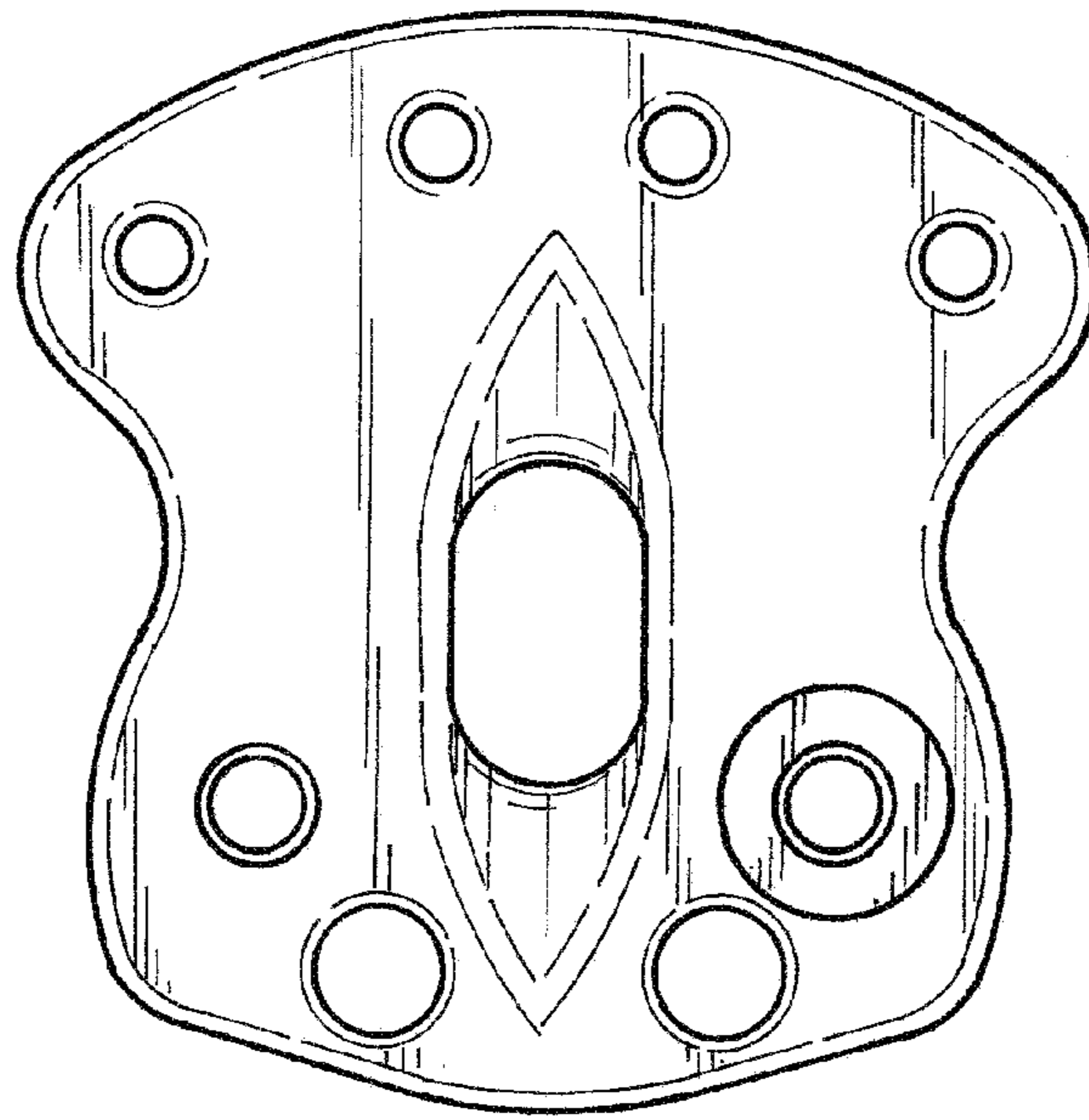


FIG. 8

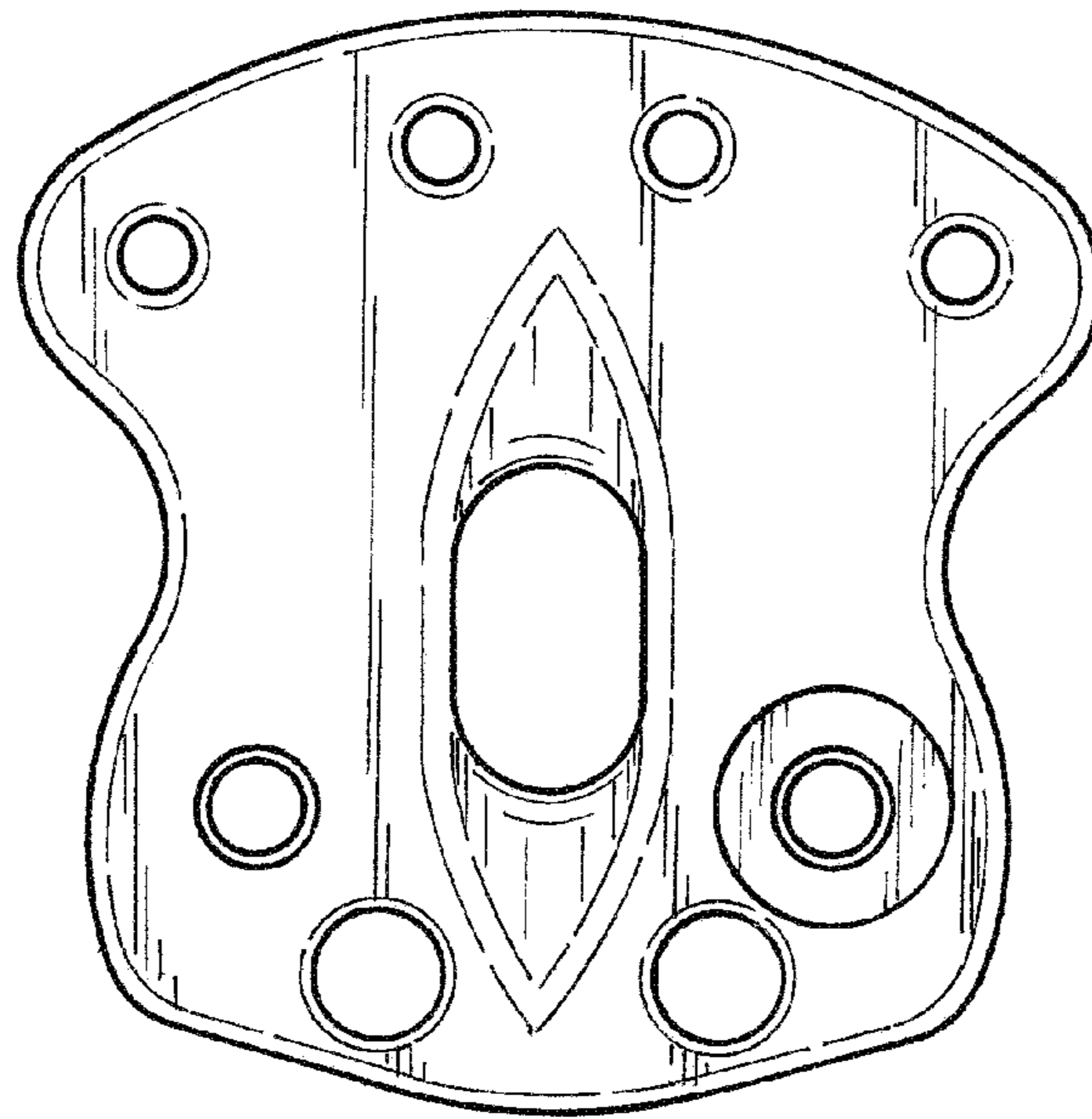


FIG. 9

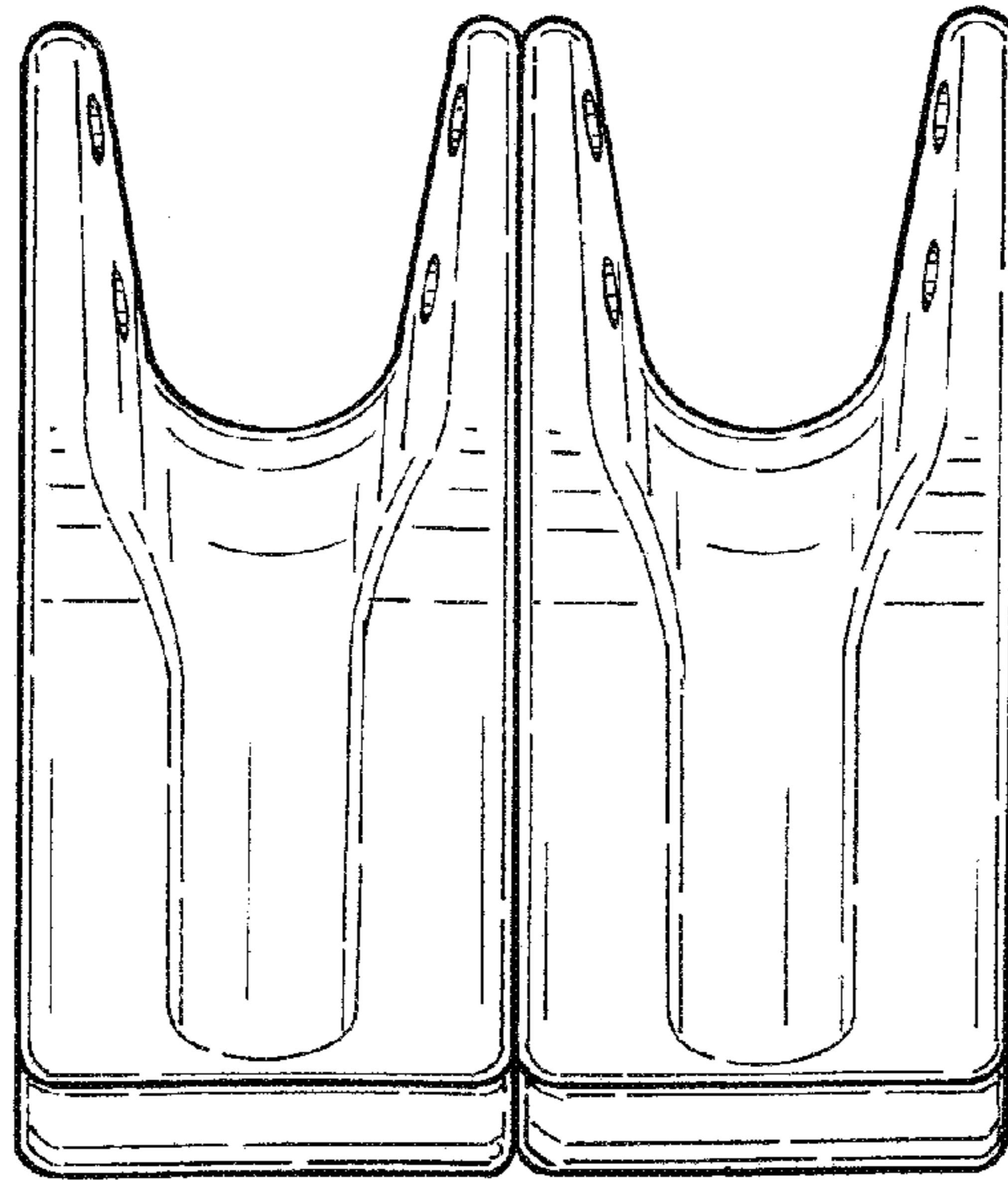


FIG. 10

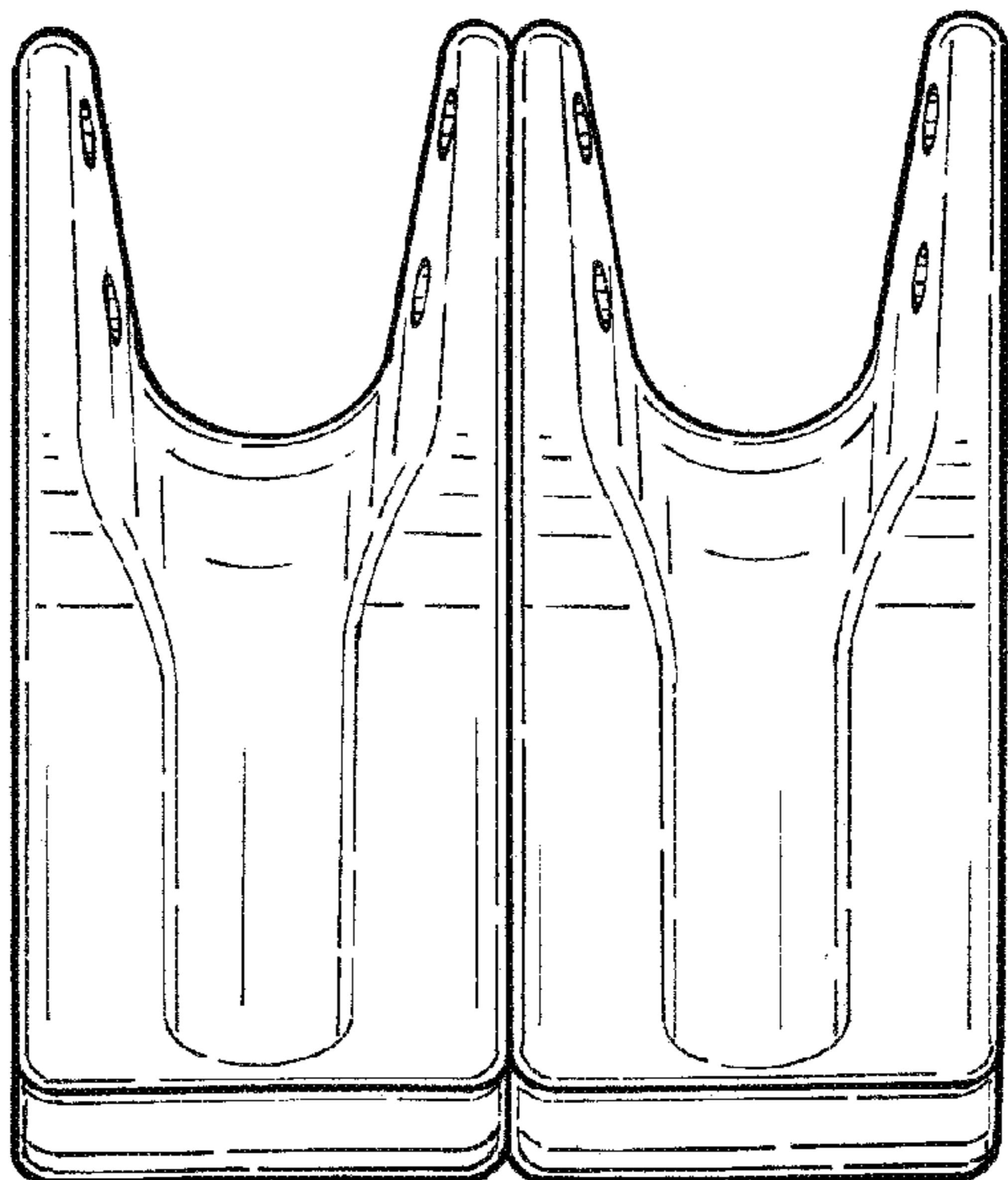


FIG. 11

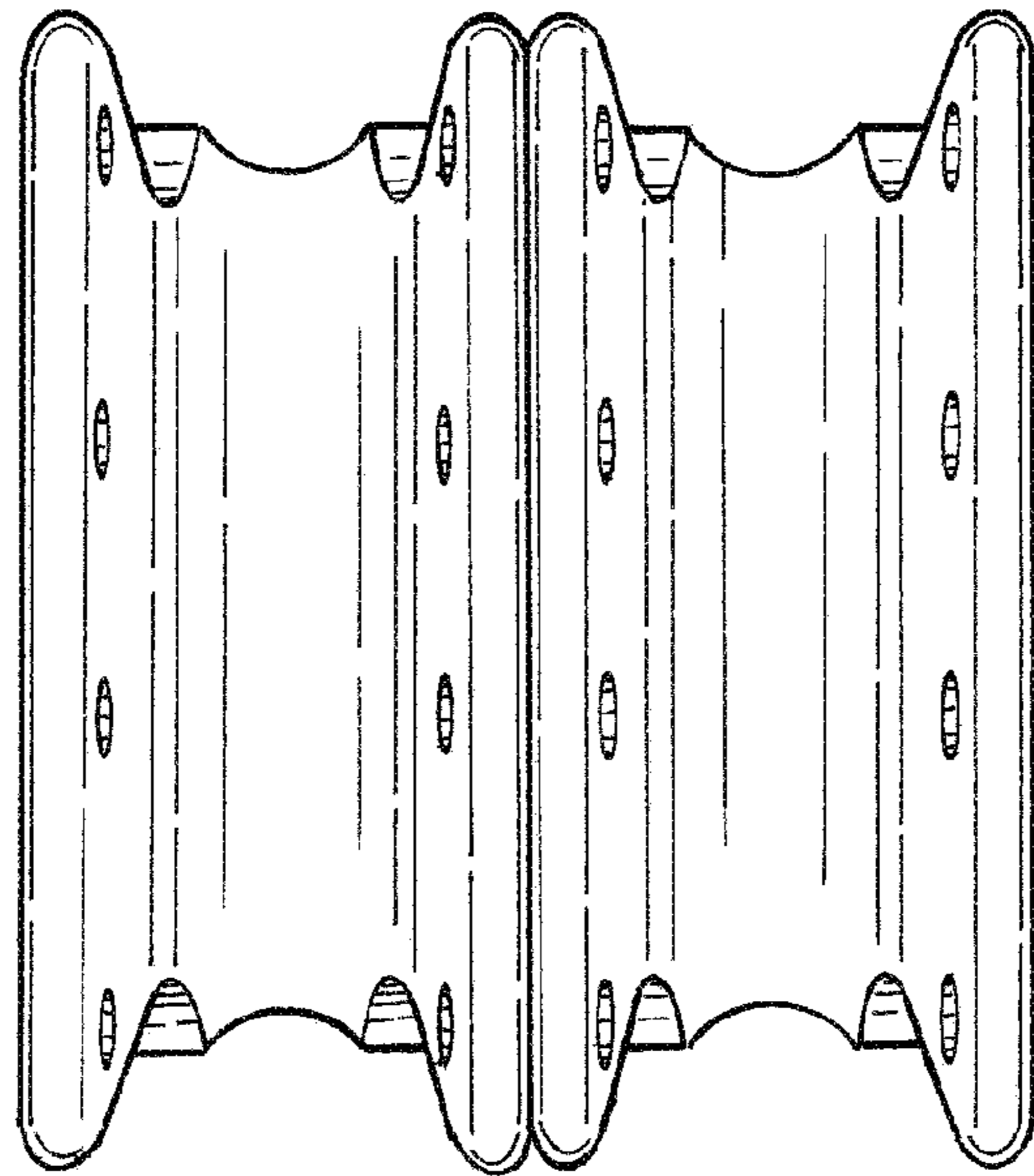


FIG. 12

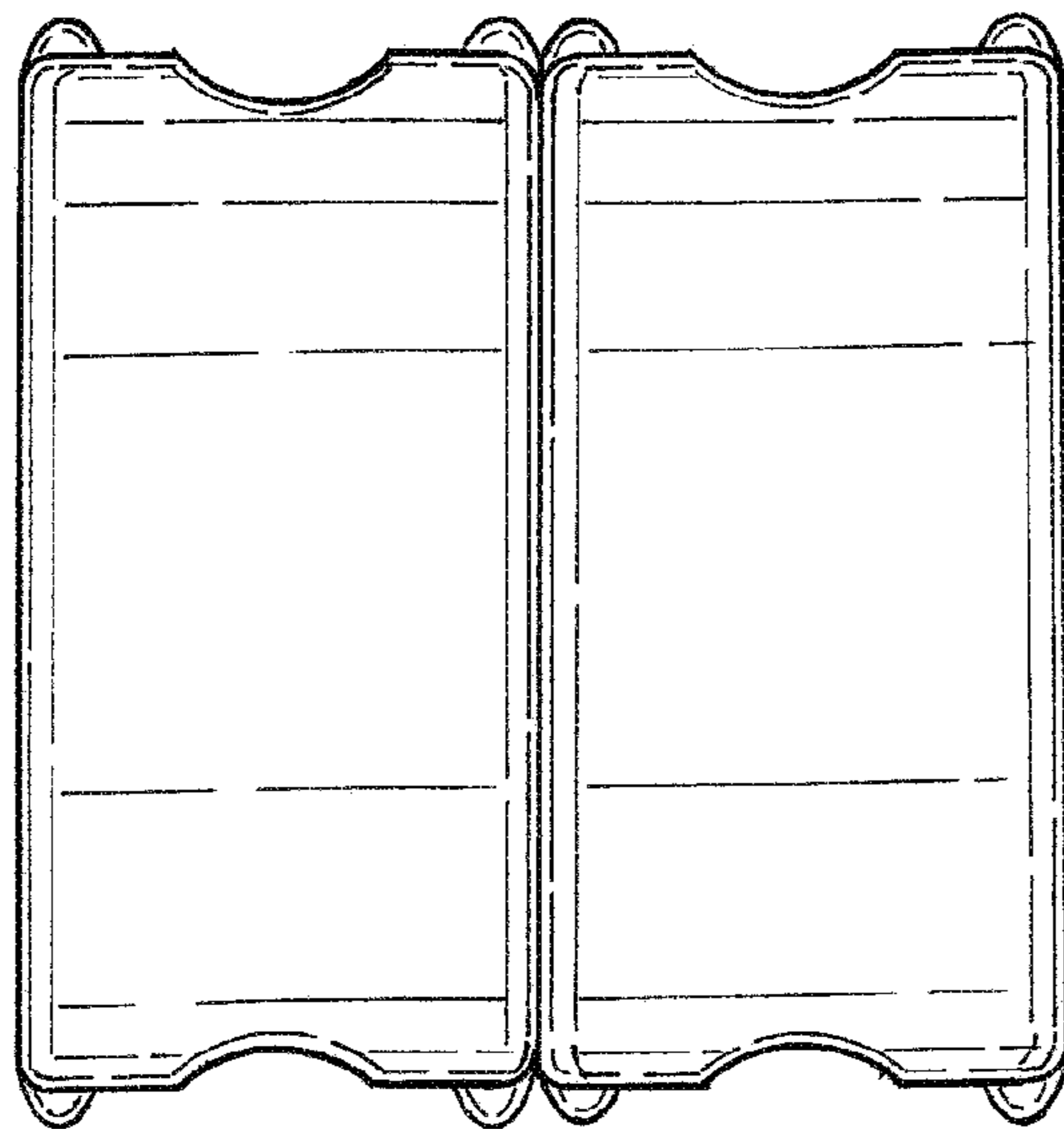


FIG. 13

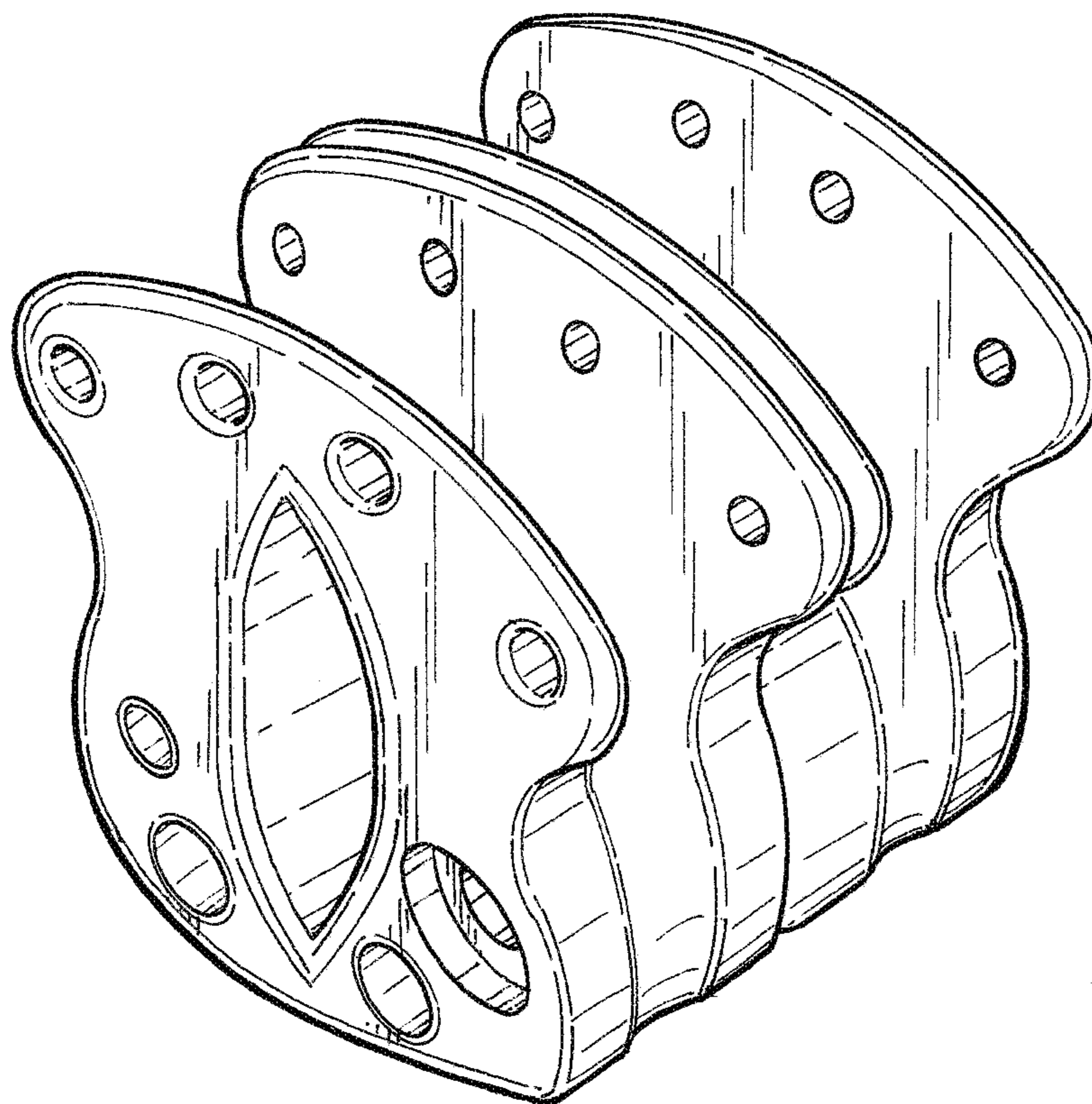


FIG.14

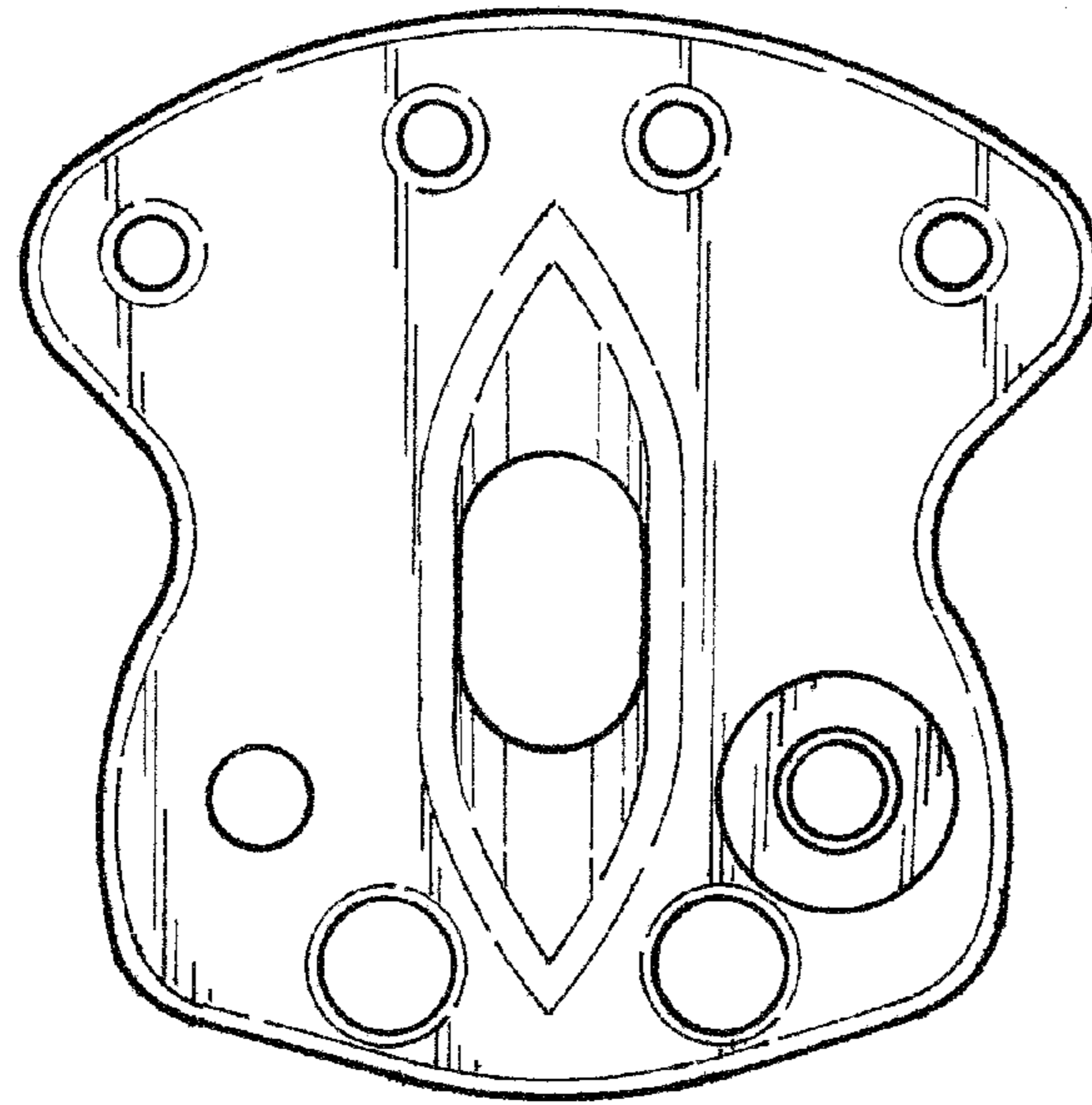


FIG. 15

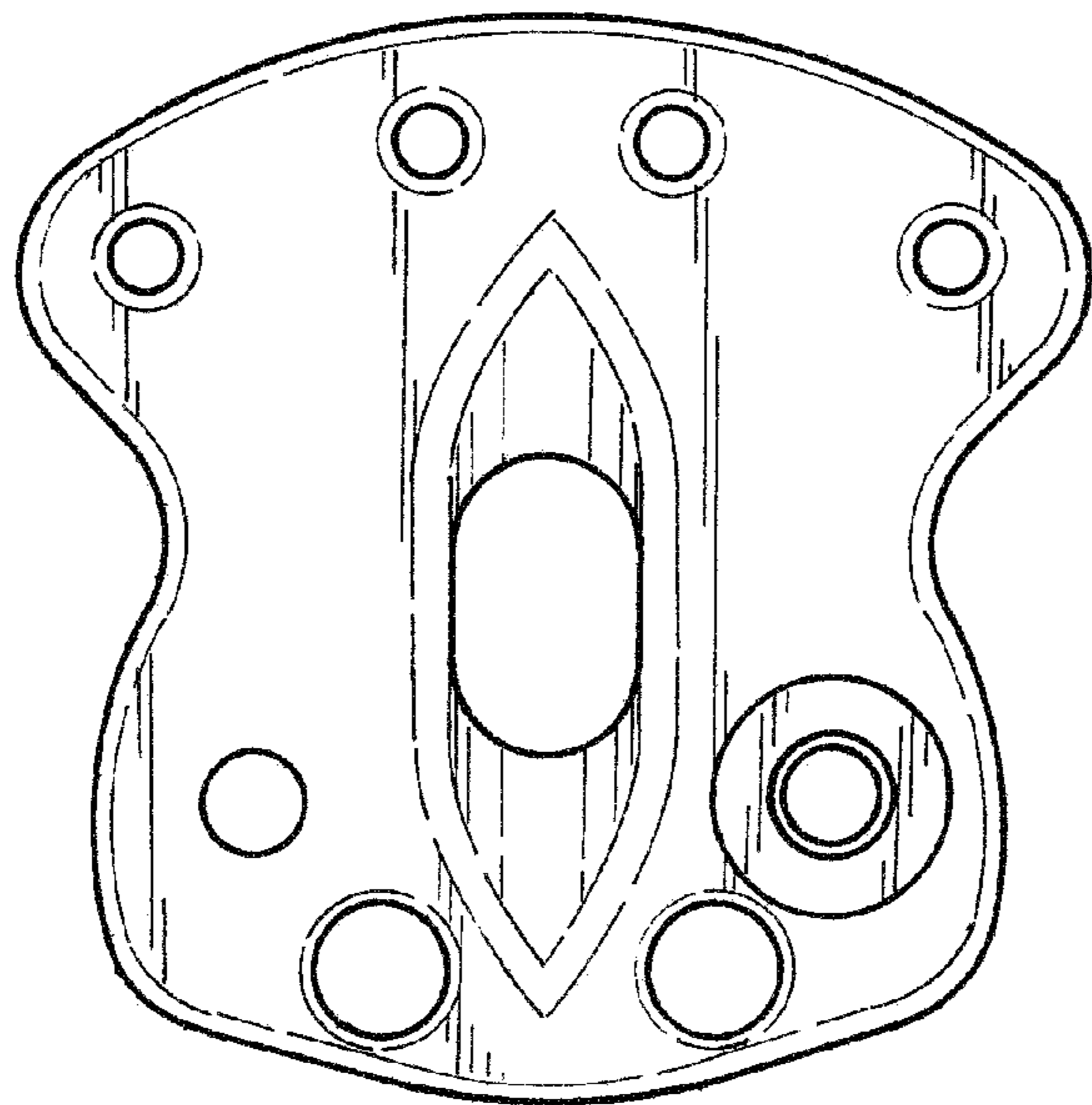


FIG. 16

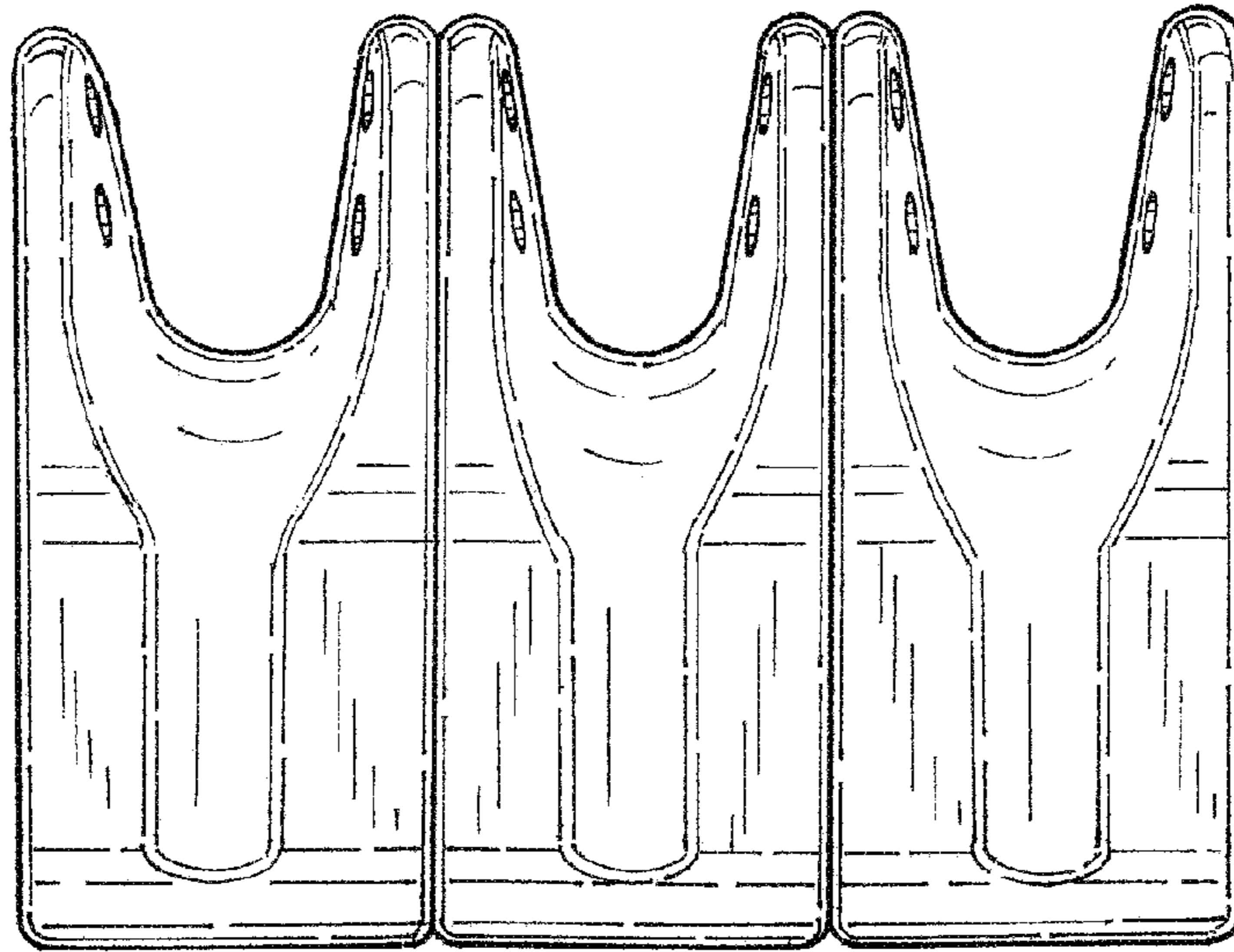


FIG.17

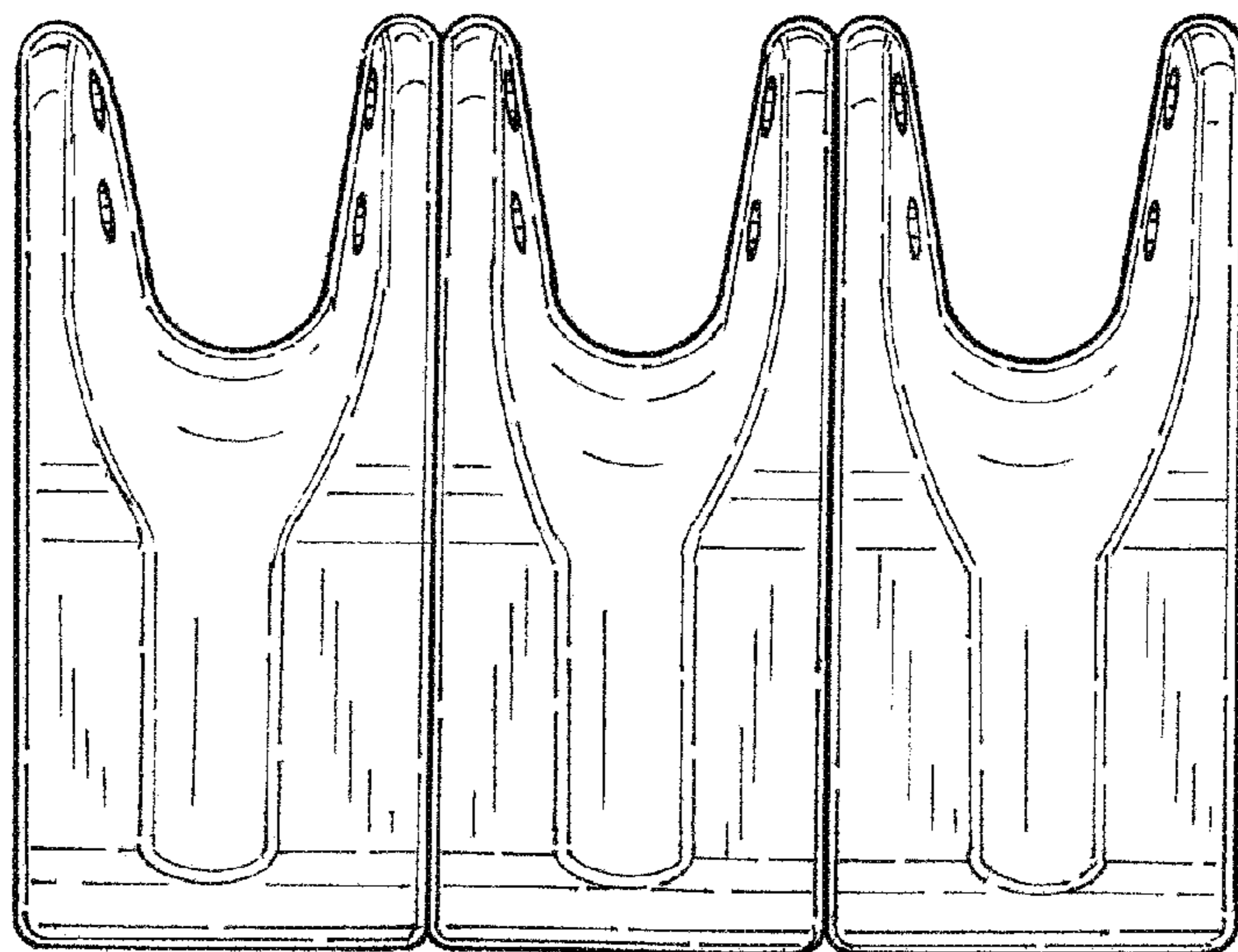


FIG.18

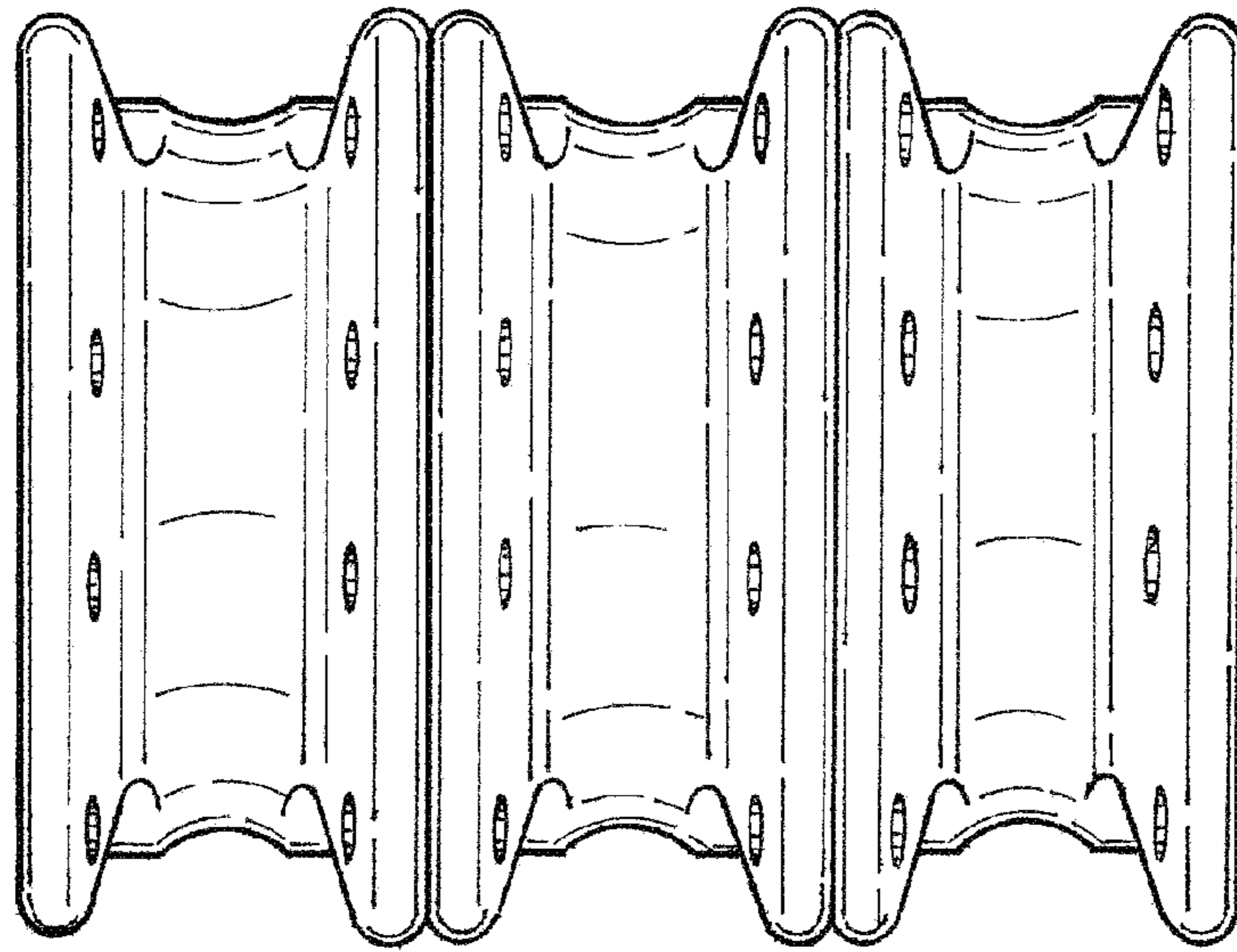


FIG. 19

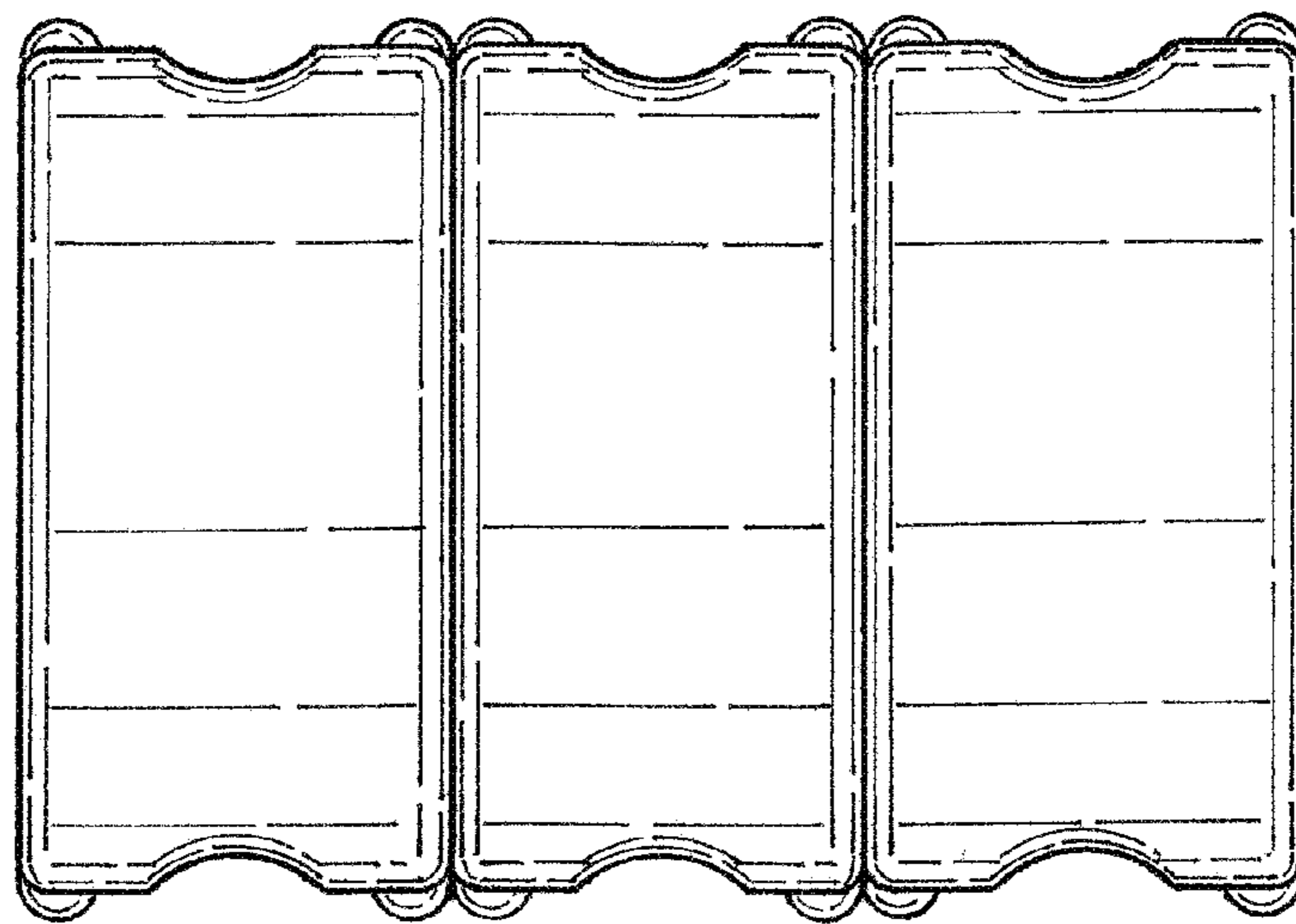


FIG. 20

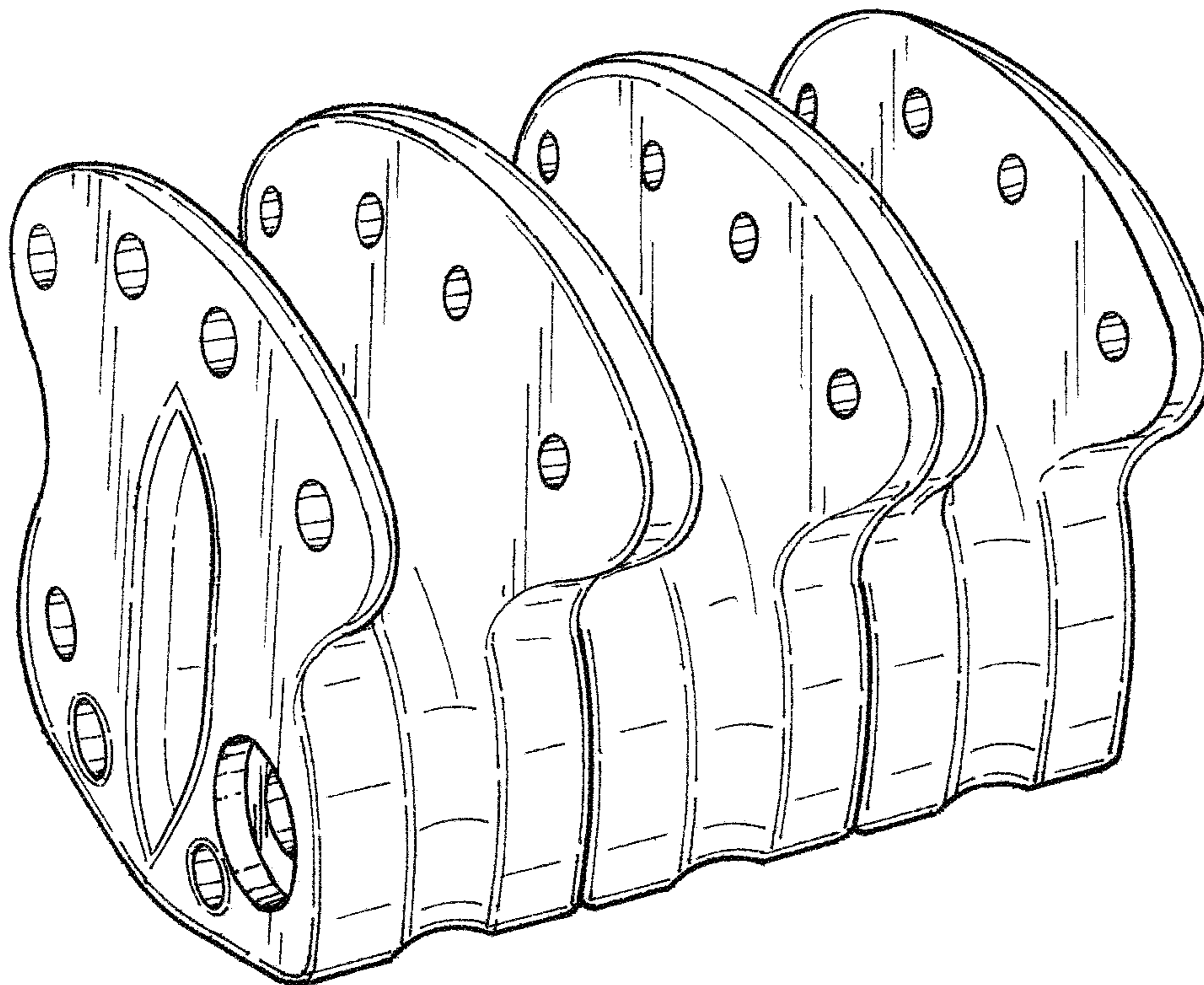


FIG.21