



US00D738284S

(12) **United States Design Patent**
Okuyama et al.

(10) **Patent No.:** **US D738,284 S**

(45) **Date of Patent:** **** Sep. 8, 2015**

(54) **BOAT**

D607,804 S * 1/2010 Hartman et al. D12/300
D679,236 S * 4/2013 Gros et al. D12/300
D700,127 S * 2/2014 Fuller, IV D12/300

(71) Applicant: **Yanmar Co., Ltd.**, Osaka-shi, Osaka (JP)

* cited by examiner

(72) Inventors: **Kiyoyuki Okuyama**, Yamagata (JP);
Akira Terazawa, Kunisaki (JP); **Shinya Shiina**, Kunisaki (JP)

Primary Examiner — Cynthia M Chin

(74) *Attorney, Agent, or Firm* — Sterne, Kessler, Goldstein & Fox P.L.L.C.

(73) Assignee: **YANMAR CO., LTD.**, Osaka (JP)

(57) **CLAIM**

The ornamental design for a boat, as shown and described.

(**) Term: **14 Years**

DESCRIPTION

(21) Appl. No.: **29/479,678**

(22) Filed: **Jan. 17, 2014**

(30) **Foreign Application Priority Data**

Jul. 19, 2013 (JP) 2013-16517

(51) **LOC (10) Cl.** **12-06**

(52) **U.S. Cl.**
USPC **D12/300**

(58) **Field of Classification Search**
USPC D12/300, 302, 303, 304, 307, 310-314,
D12/316, 317; 114/39.11-39.15,
114/39.21-39.32, 61.1, 61.2, 61.32, 61.33,
114/62, 355-358, 271, 273, 283, 288-292,
114/343, 363; 440/27, 35
See application file for complete search history.

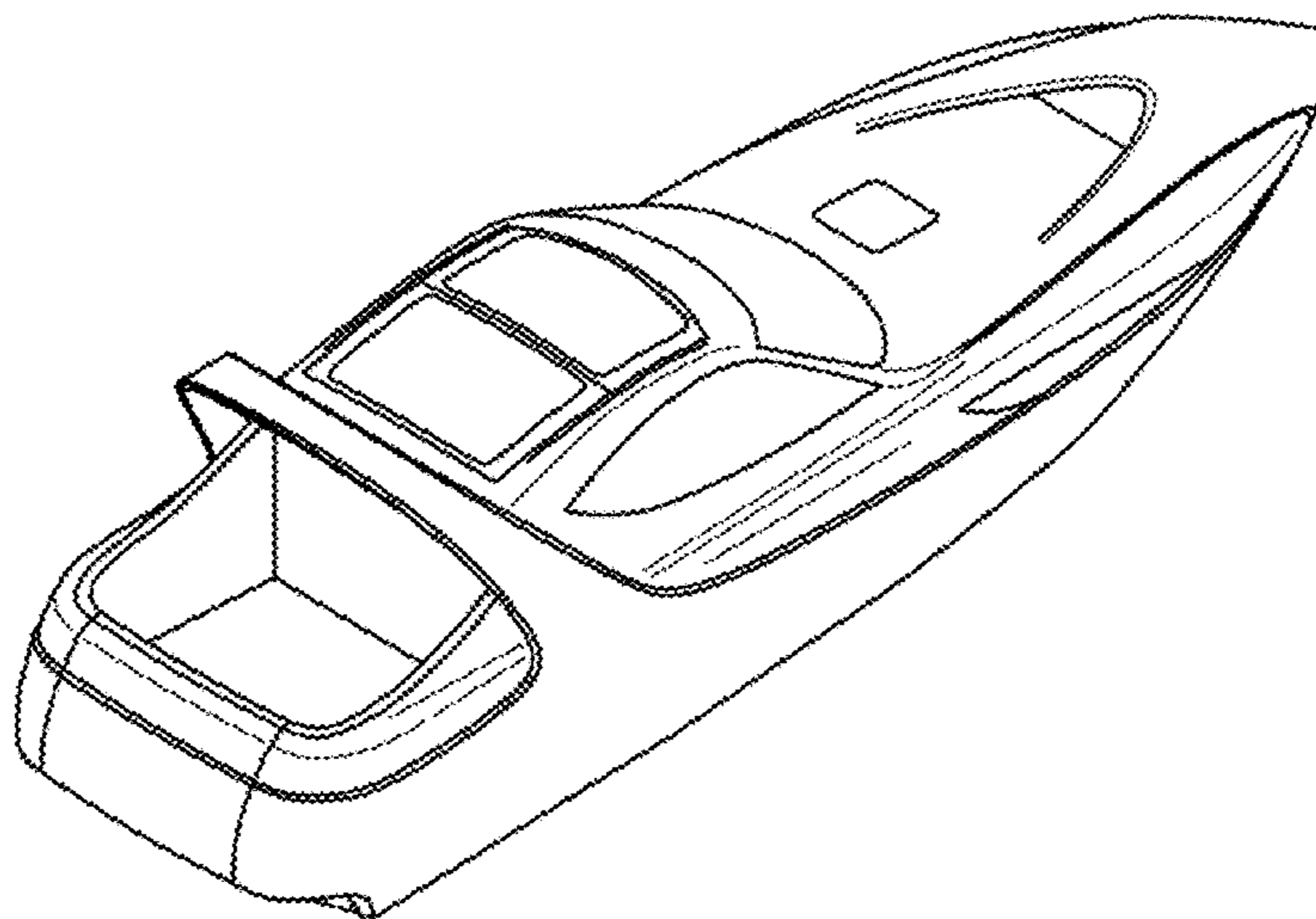
FIG. 1 is a top perspective view of a boat showing our new design;
FIG. 2 is a bottom, perspective view thereof;
FIG. 3 is a front view thereof;
FIG. 4 is a rear view thereof;
FIG. 5 is a top plan view thereof;
FIG. 6 is a bottom plan view thereof;
FIG. 7 is a left side view thereof;
FIG. 8 is a right side view thereof;
FIG. 9 is a cross-sectional view taken along line 9-9 in FIG. 7;
FIG. 10 is an enlarged cross-sectional view taken along line 10-10 in FIG. 3;
FIG. 11 is an enlarged cross-sectional view taken along line 11-11 in FIG. 7;
FIG. 12 is an enlarged cross-sectional view taken along line 12-12 in FIG. 3;
FIG. 13 is the front view of another embodiment of the boat in FIG. 1;
FIG. 14 is a rear view thereof;
FIG. 15 is a top plan view thereof;
FIG. 16 is a left side view thereof;
FIG. 17 is a right side view thereof; and,
FIG. 18 is a perspective view showing the boat of the present invention in operation.
The oblique shade lines in FIGS. 13-17 shows transparency and not surface ornamentation.

(56) **References Cited**

U.S. PATENT DOCUMENTS

4,742,795 A * 5/1988 DePrey et al. 114/362
D313,220 S * 12/1990 Winn et al. D12/315
D322,240 S * 12/1991 Carlson D12/300
D350,327 S * 9/1994 Douglass D12/318
5,349,919 A * 9/1994 Douglass 114/61.33
5,904,113 A * 5/1999 Slikkers 114/259
6,089,174 A * 7/2000 Slikkers et al. 114/259
D455,110 S * 4/2002 Vismara D12/300
D514,054 S * 1/2006 Blount D12/300

1 Claim, 18 Drawing Sheets



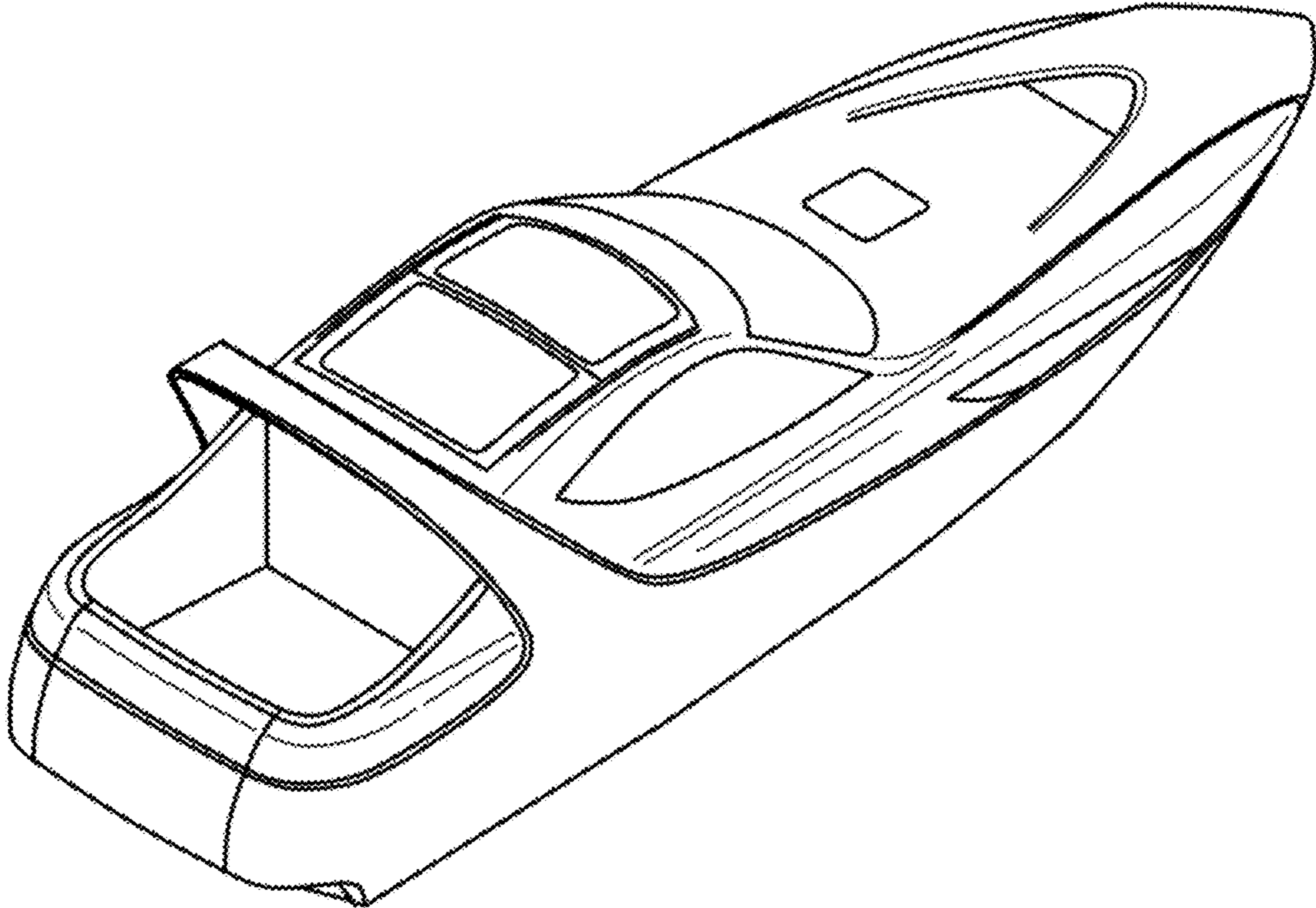


FIG. 1

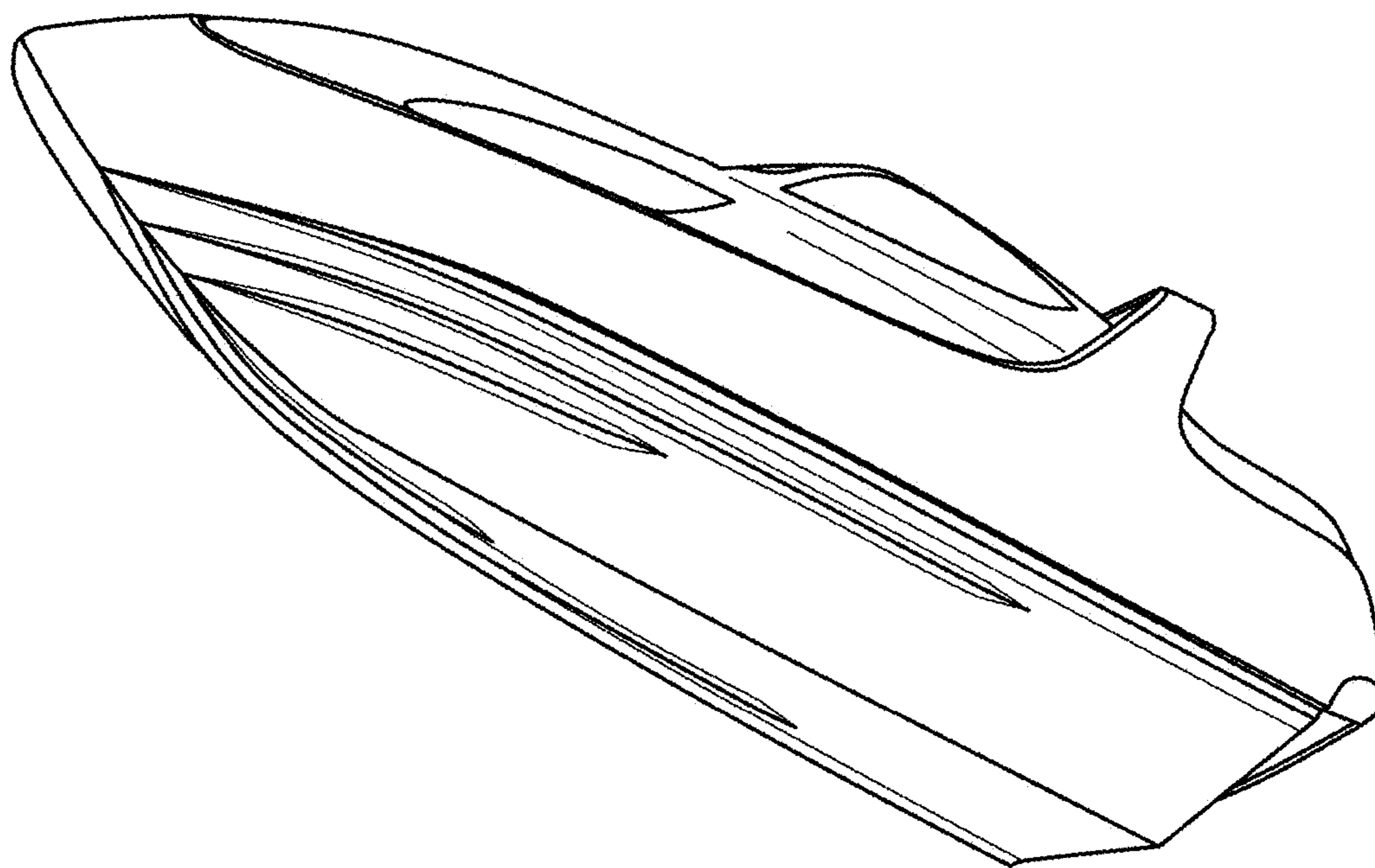


FIG. 2

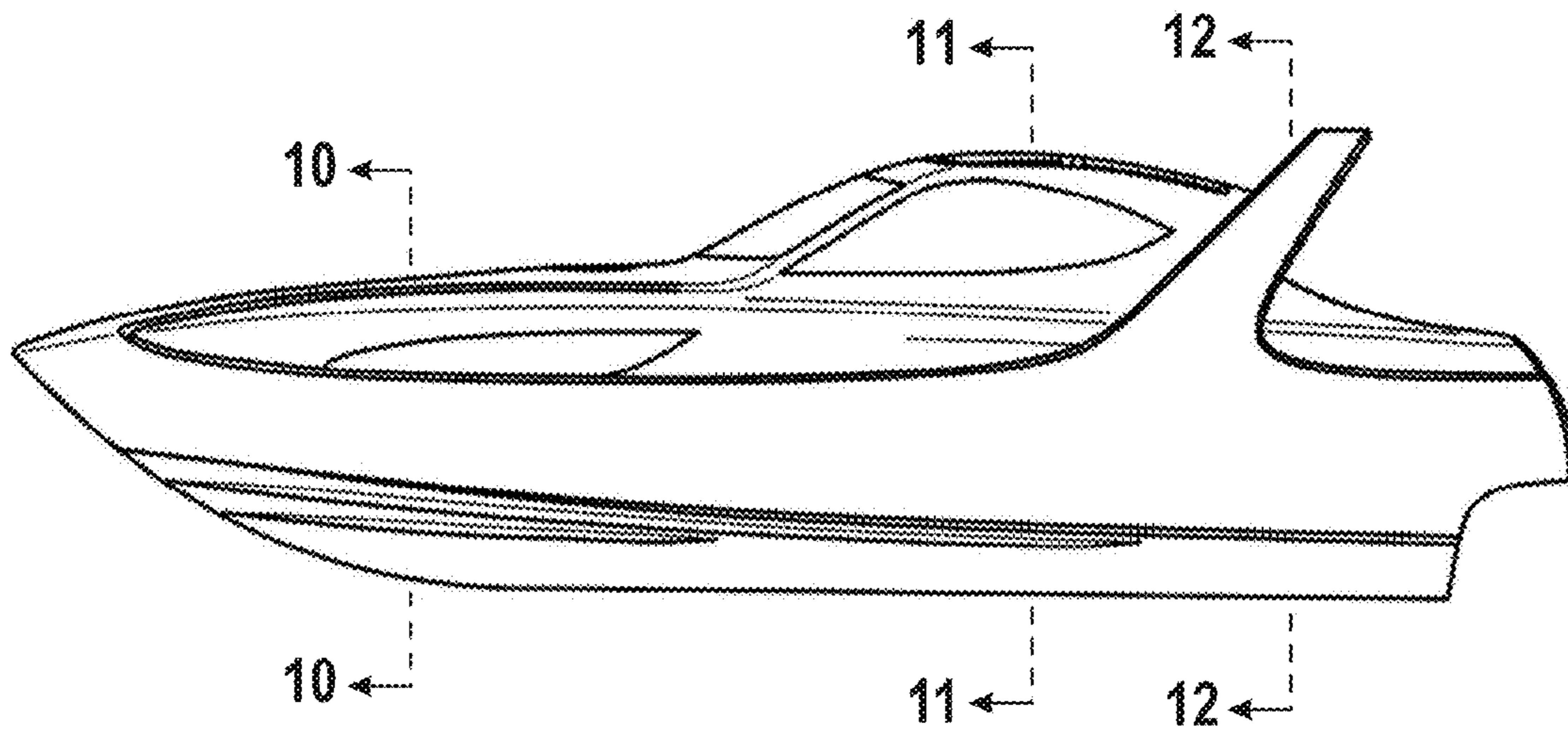


FIG. 3

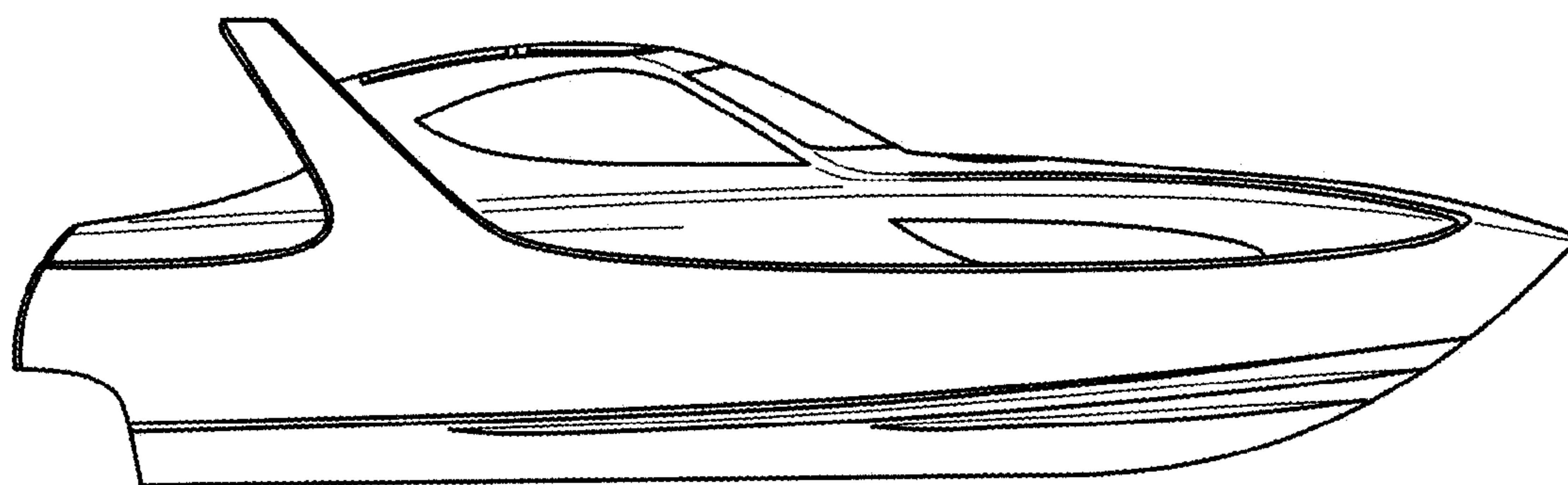


FIG. 4

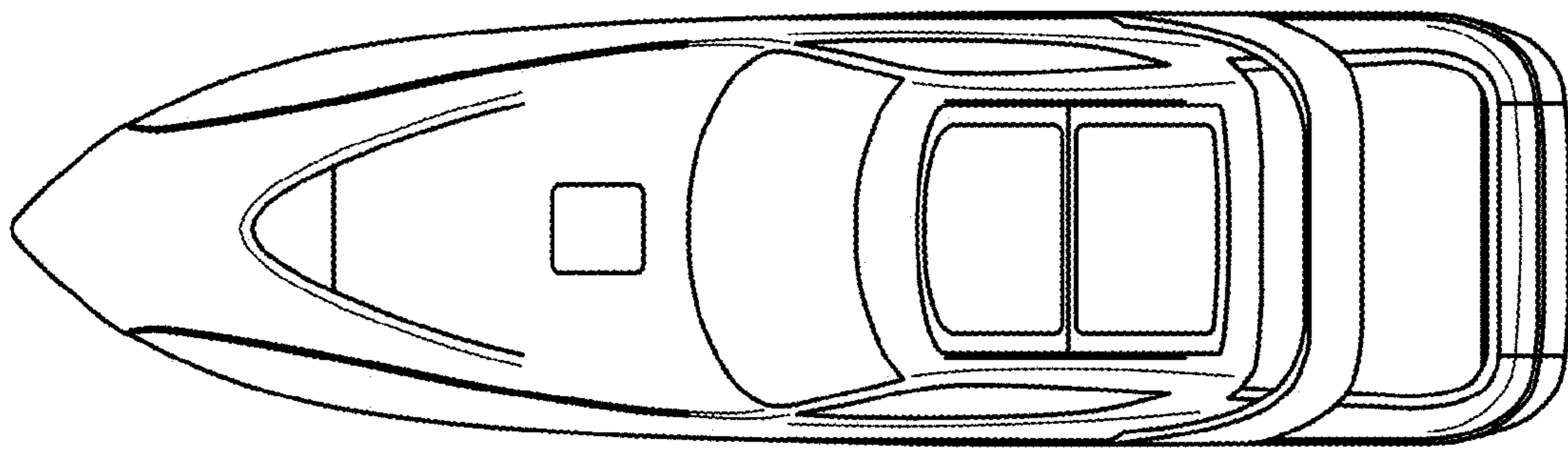


FIG. 5

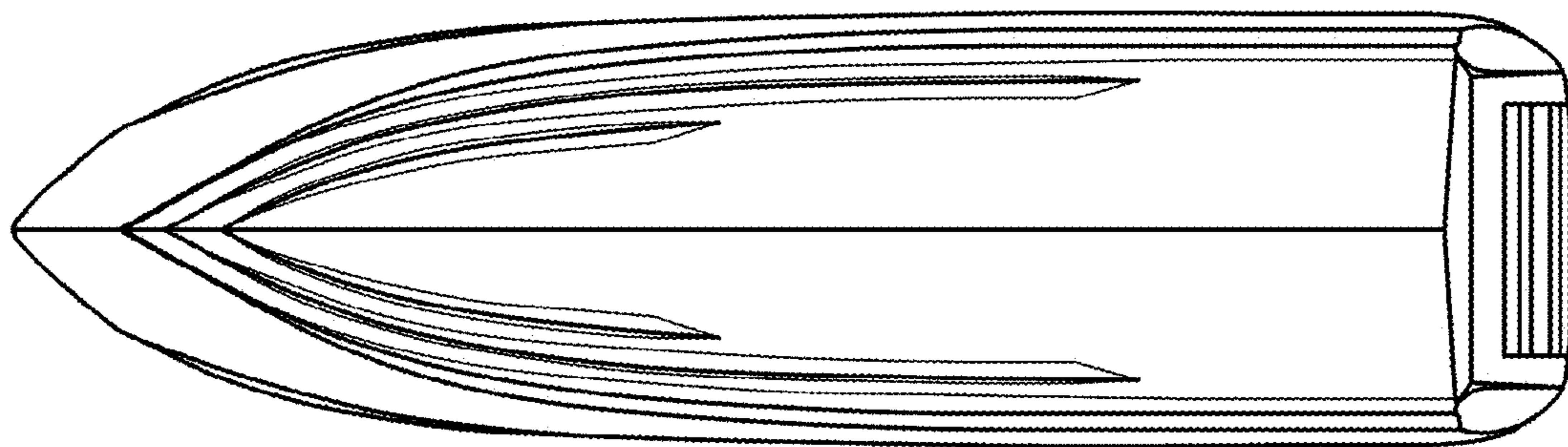


FIG. 6

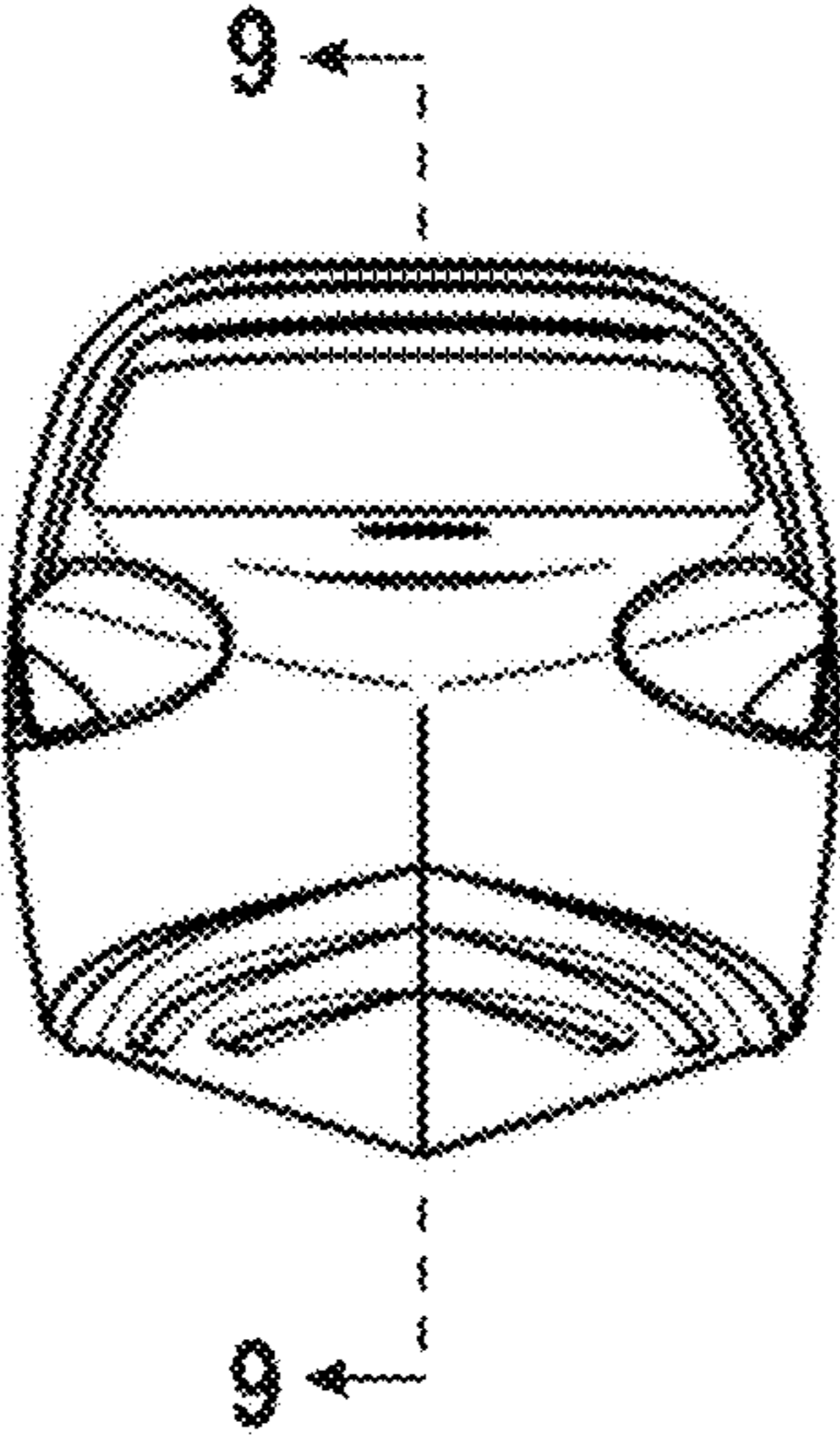


FIG. 7

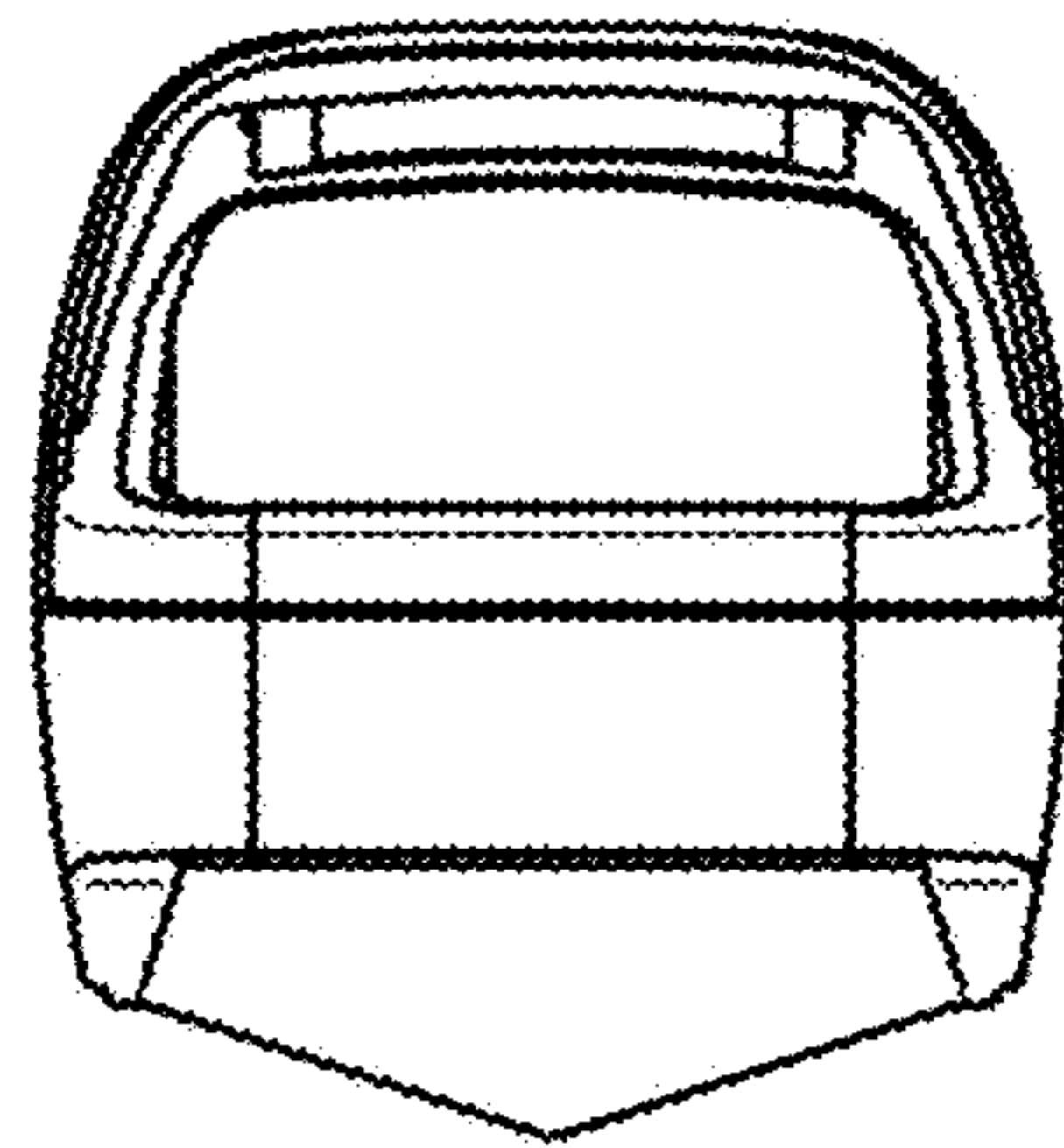


FIG. 8

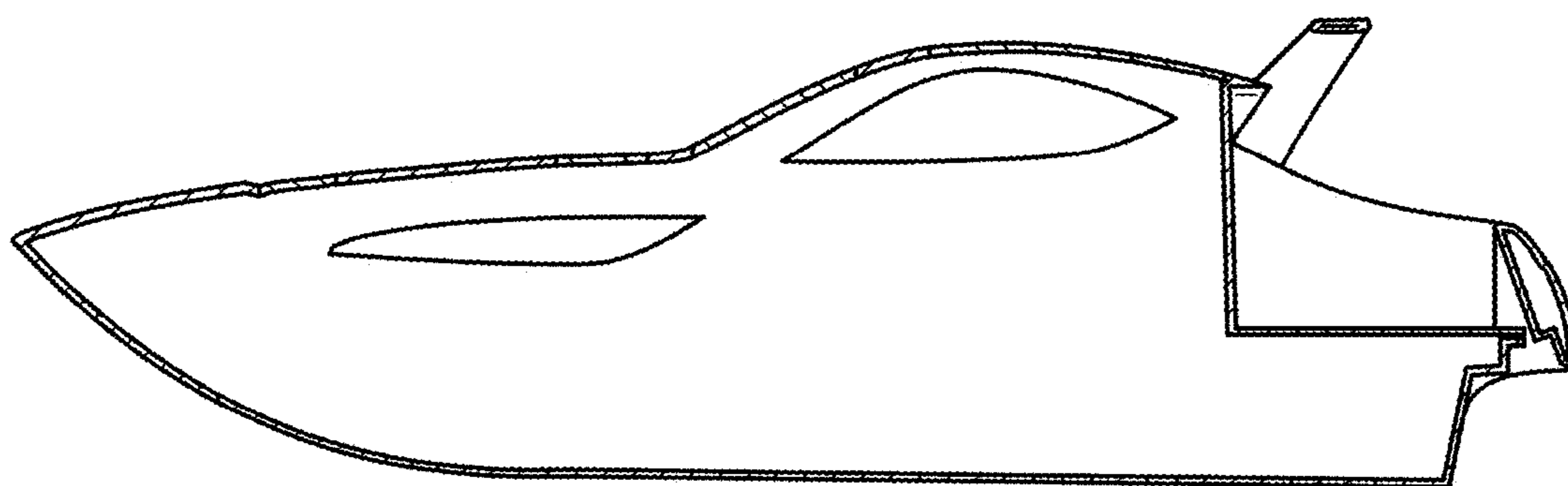


FIG. 9

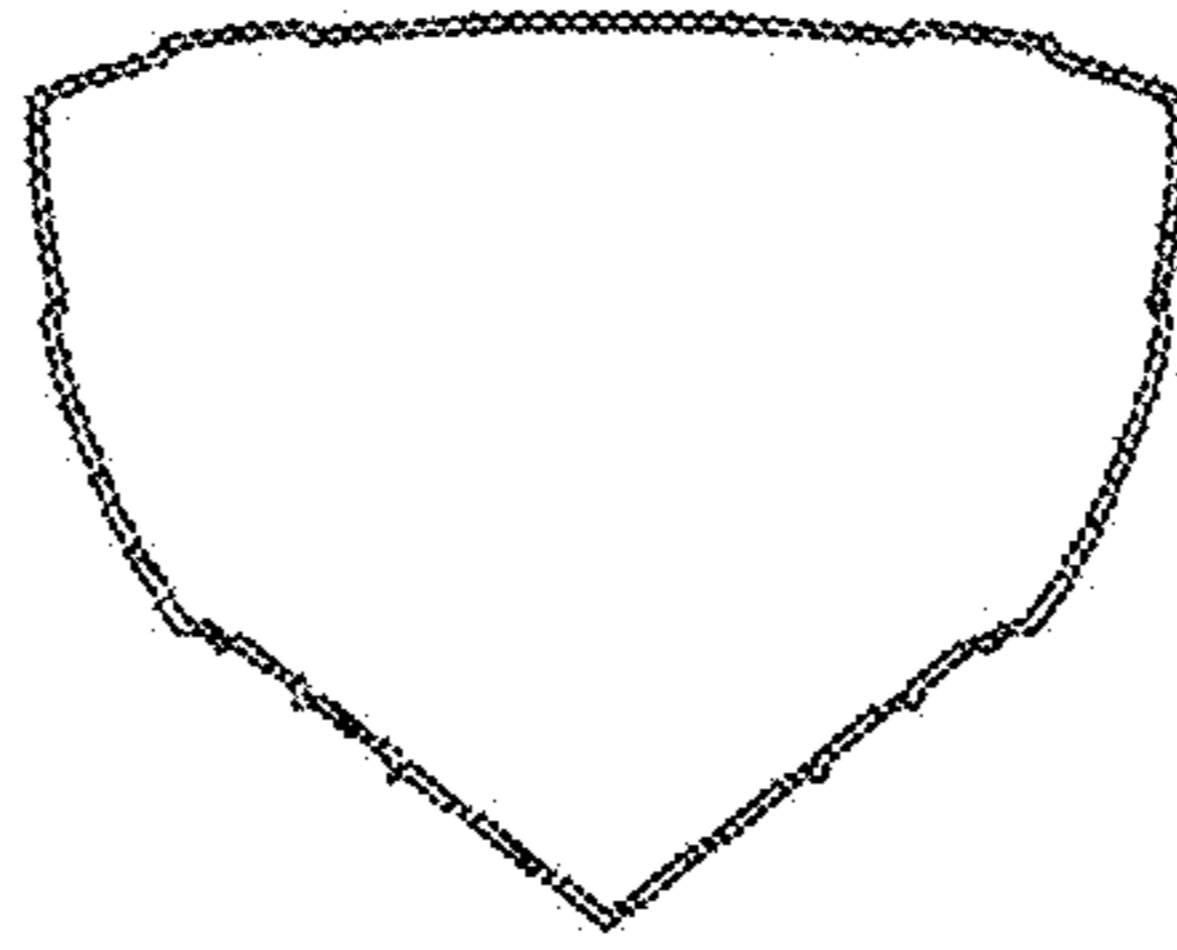


FIG. 10

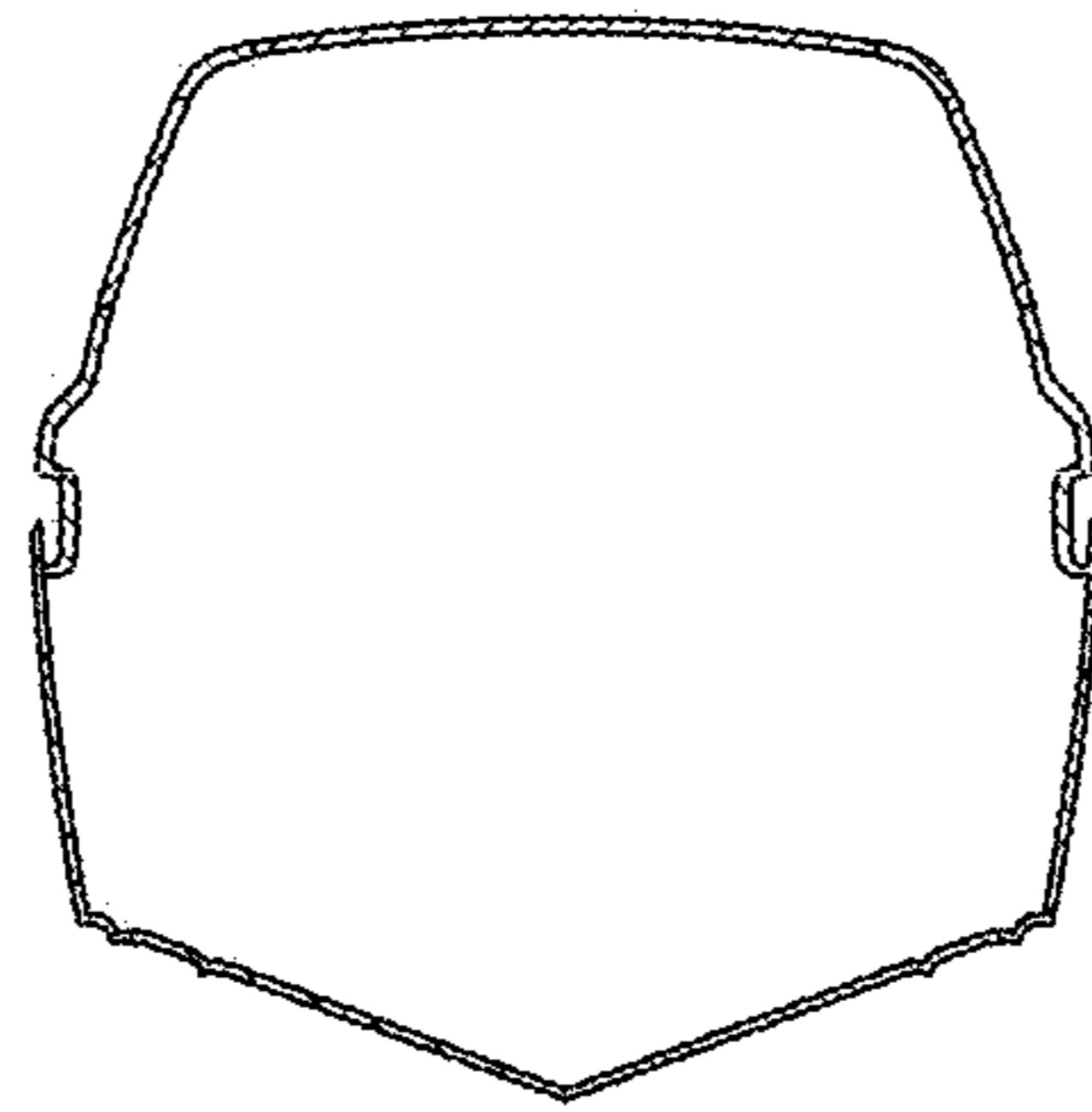


FIG. 11

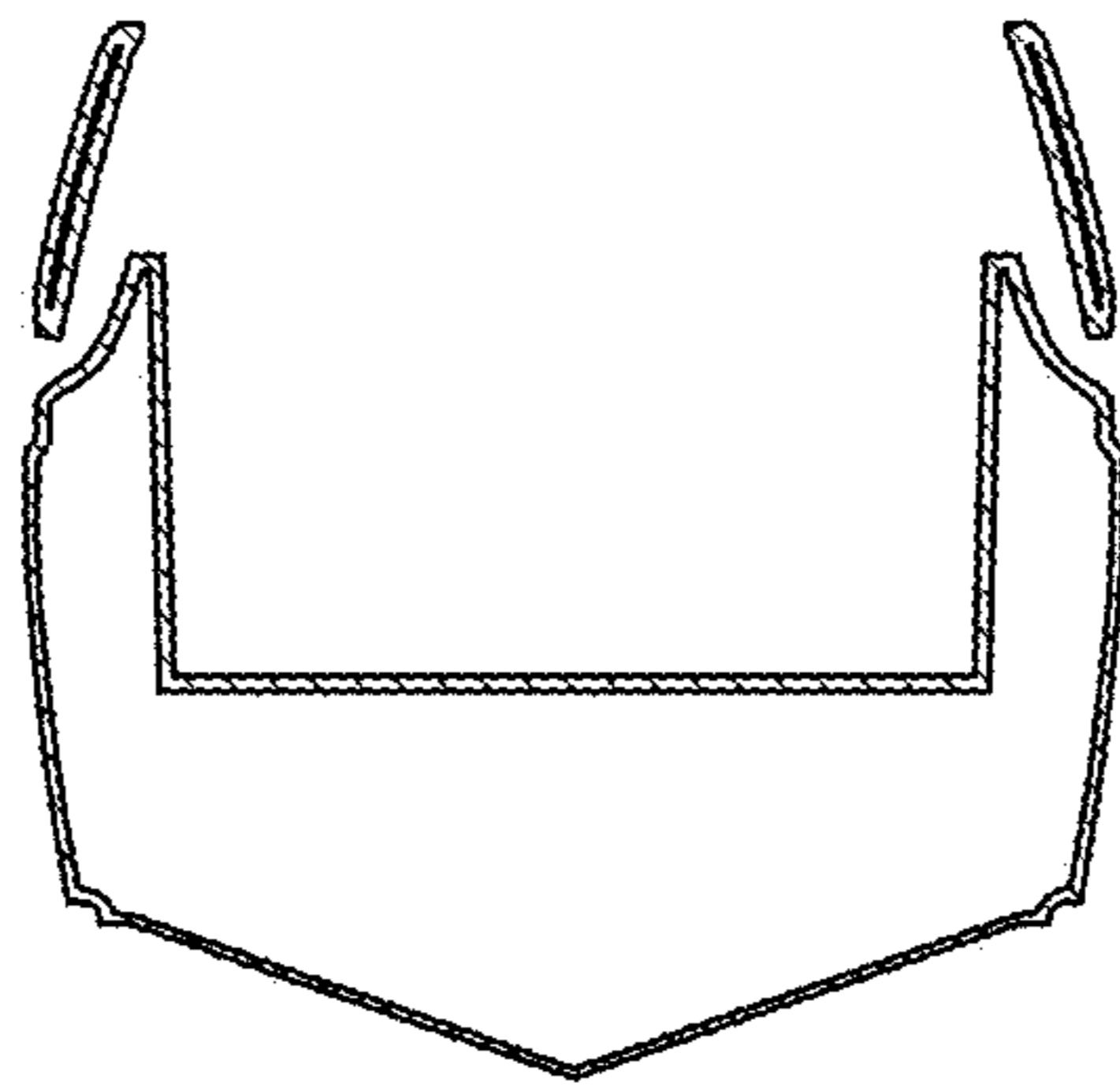


FIG. 12

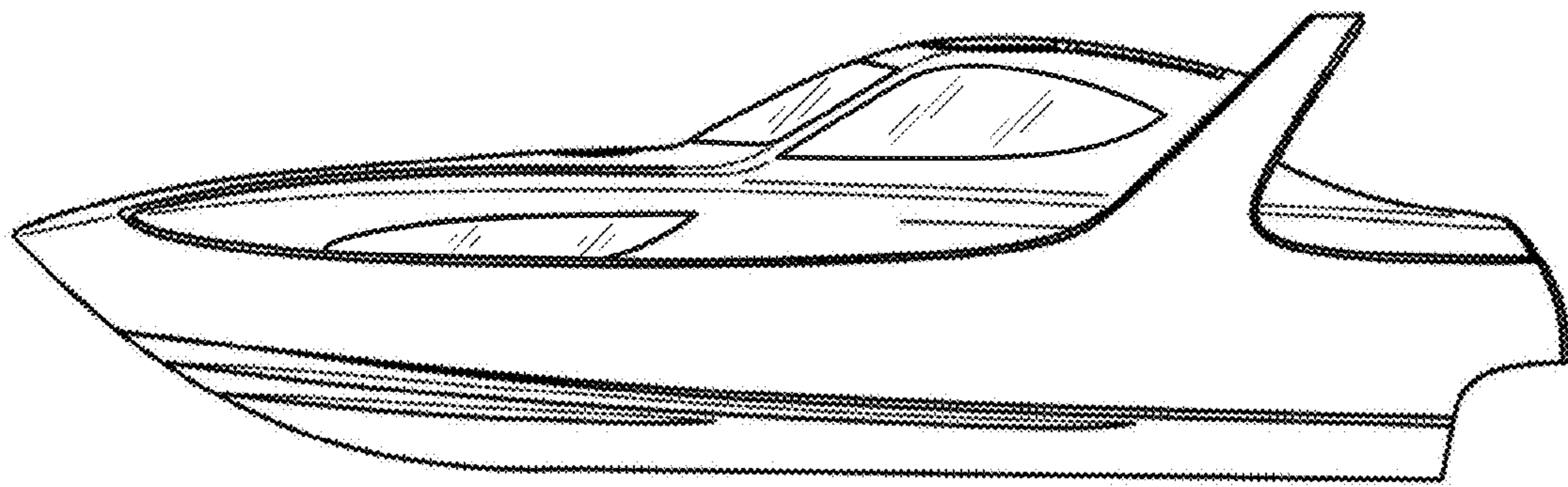


FIG. 13

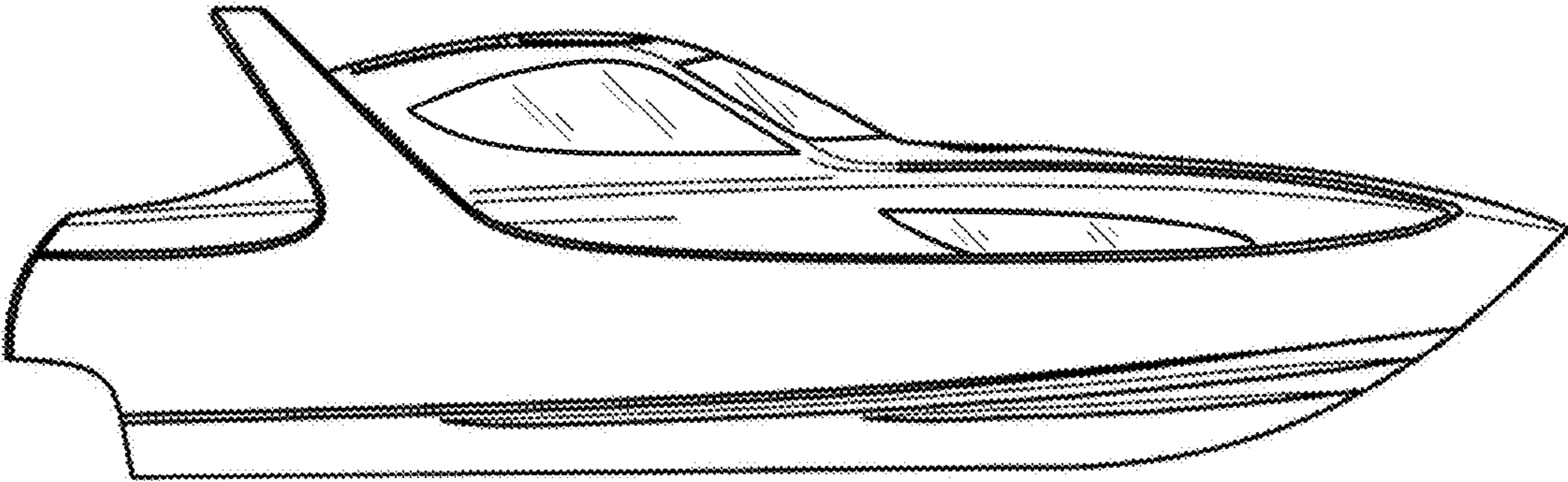


FIG. 14

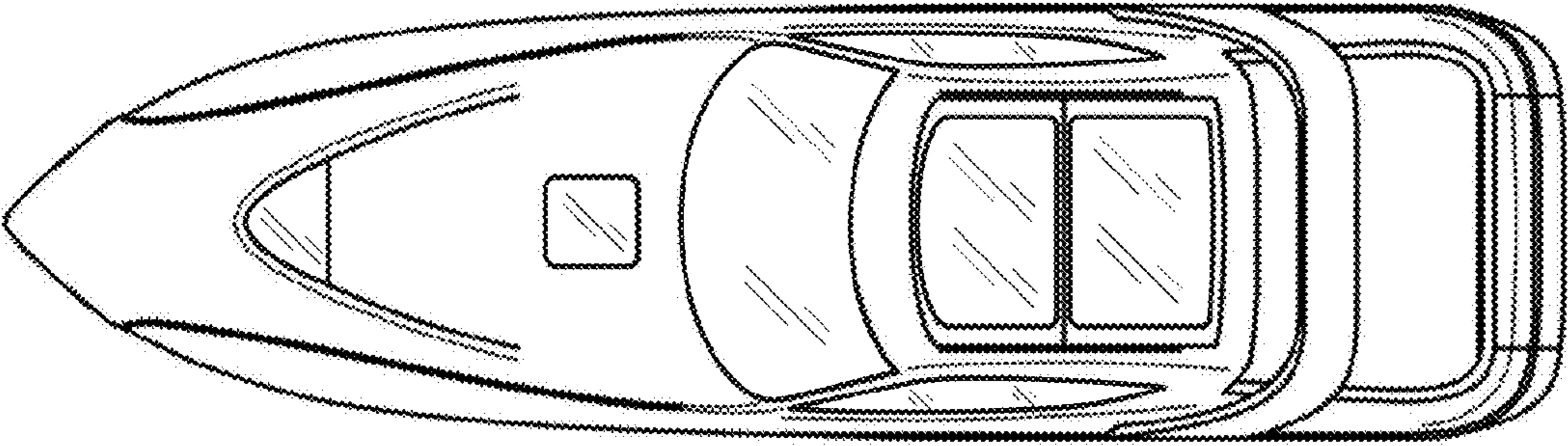


FIG. 15

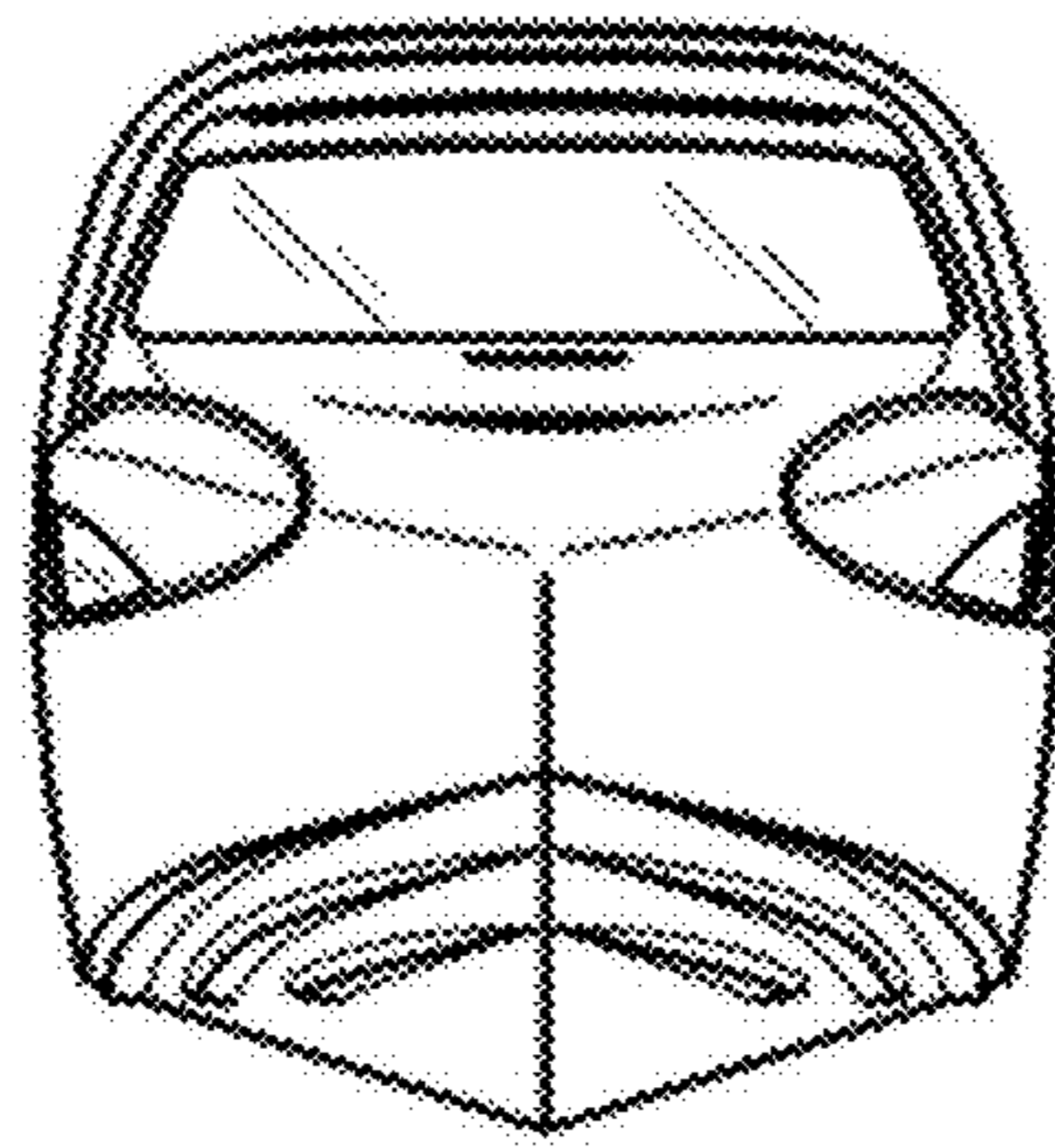


FIG. 16

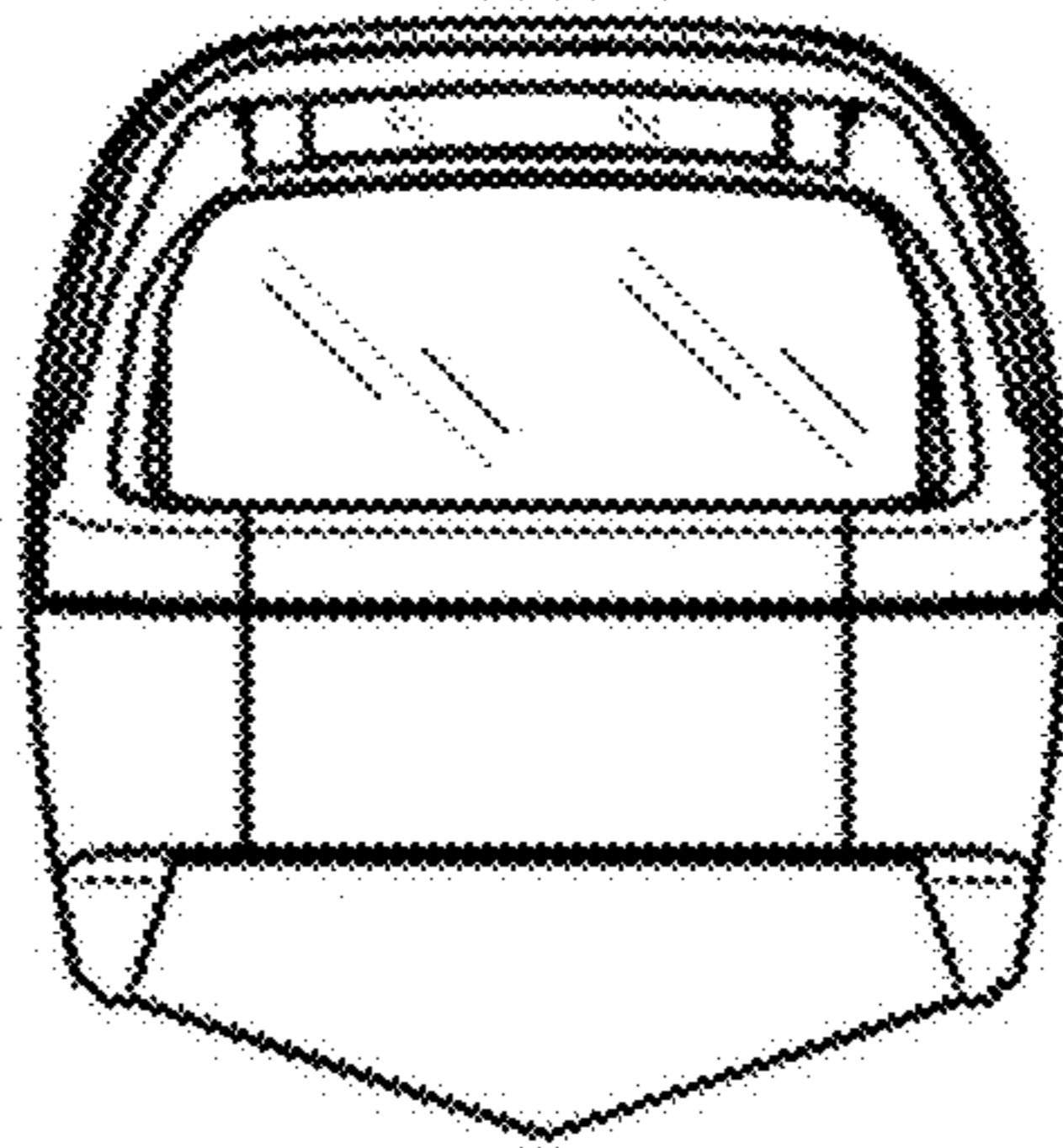


FIG. 17

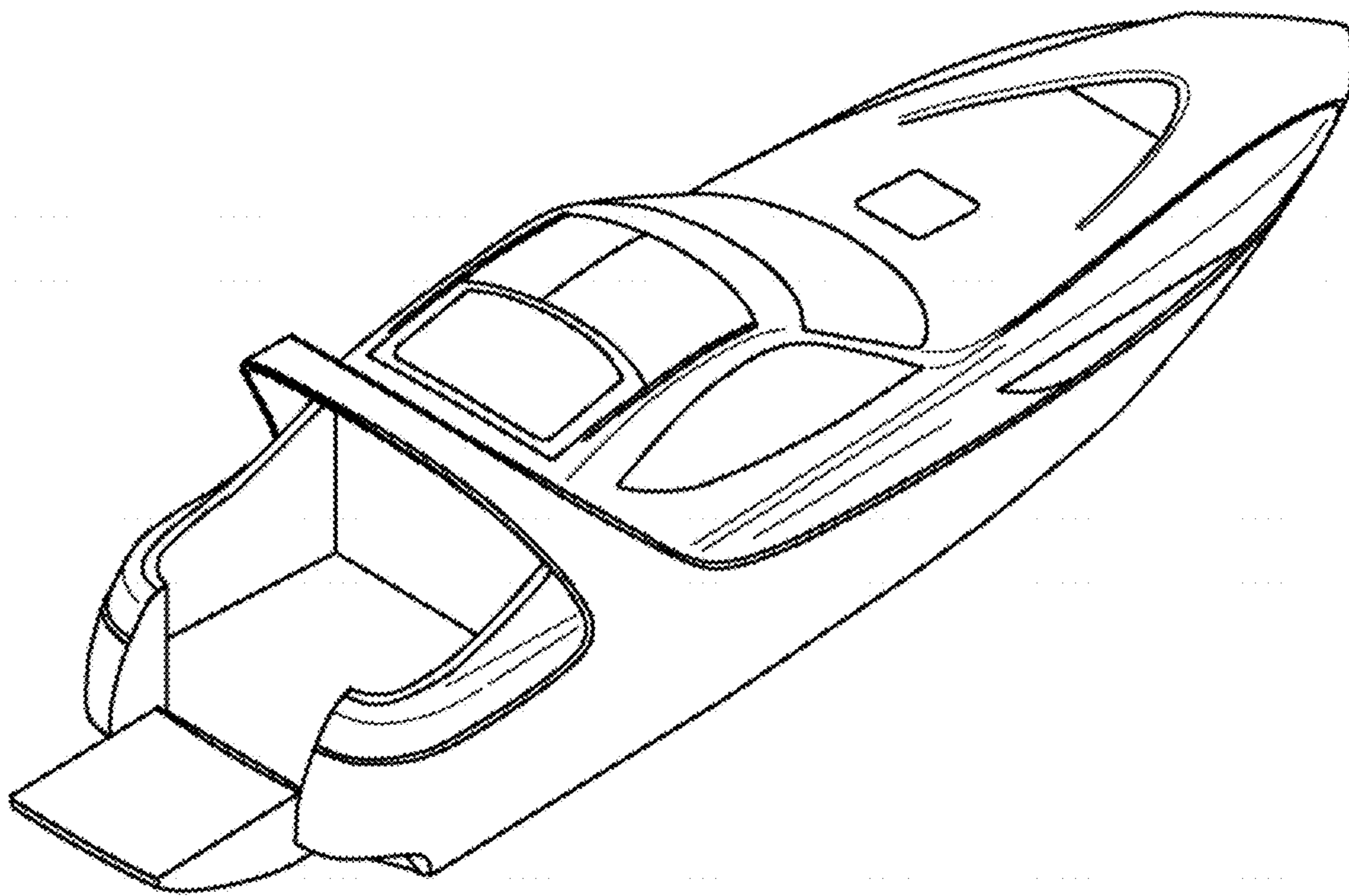


FIG. 18