



US00D738283S

(12) **United States Design Patent**
Metrot et al.

(10) **Patent No.:** **US D738,283 S**
(45) **Date of Patent:** **** Sep. 8, 2015**

(54) **BOAT**

CPC B63B 1/16; B63B 1/20
See application file for complete search history.

(71) Applicants: **Eric Metrot**, Applecross (AU); **Deryck Fletcher Gow Graham**, Cottesloe (AU); **Giovanni Ciampa**, Gladesville (AU); **Lee David Blattmann**, Castle Cove (AU)

(56) **References Cited**

U.S. PATENT DOCUMENTS

3,363,598	A *	1/1968	Mortrude	114/290
3,600,733	A *	8/1971	Lippisch	114/357
3,930,455	A *	1/1976	Bremer	114/61.32
D360,180	S *	7/1995	Rolland et al.	D12/314
D382,850	S *	8/1997	Schmidt	D12/310
D425,011	S *	5/2000	Nakashima et al.	D12/314
D454,829	S *	3/2002	Goad et al.	D12/313
D607,805	S *	1/2010	Chittum et al.	D12/313
D651,551	S *	1/2012	Moore et al.	D12/300
D709,023	S *	7/2014	Viviani et al.	D12/300
D714,711	S *	10/2014	Abella et al.	D12/300

(72) Inventors: **Eric Metrot**, Applecross (AU); **Deryck Fletcher Gow Graham**, Cottesloe (AU); **Giovanni Ciampa**, Gladesville (AU); **Lee David Blattmann**, Castle Cove (AU)

(73) Assignee: **Flat Out Dreaming Pty Ltd**, Subiaco (AU)

* cited by examiner

(**) Term: **14 Years**

Primary Examiner — Cynthia M Chin

(21) Appl. No.: **29/475,739**

(74) *Attorney, Agent, or Firm* — Cascio & Zervas

(22) Filed: **Dec. 5, 2013**

(57) **CLAIM**

The ornamental design for a boat, as shown and described.

(30) **Foreign Application Priority Data**

Jun. 7, 2013 (EM) 002251991

(51) **LOC (10) Cl.** **12-06**

(52) **U.S. Cl.**

USPC **D12/300**

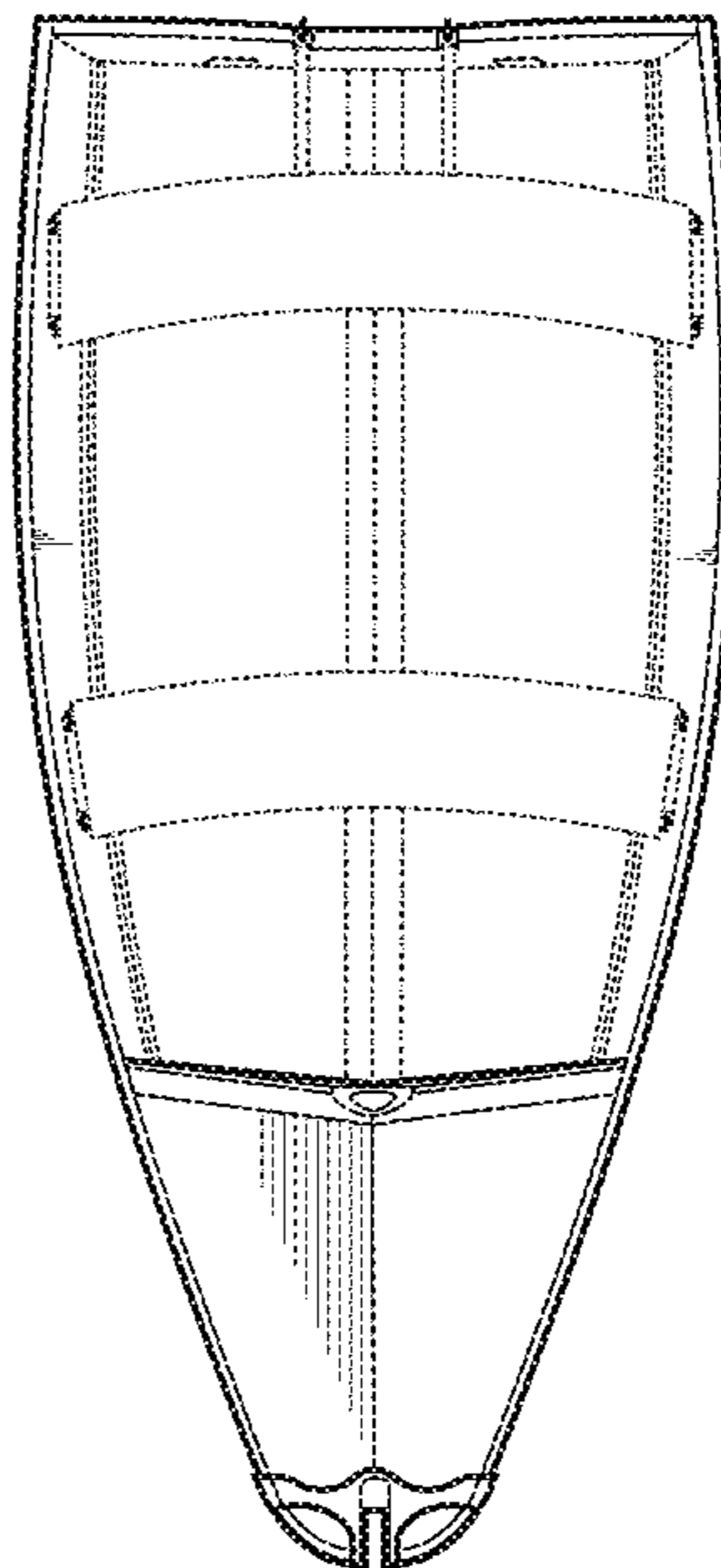
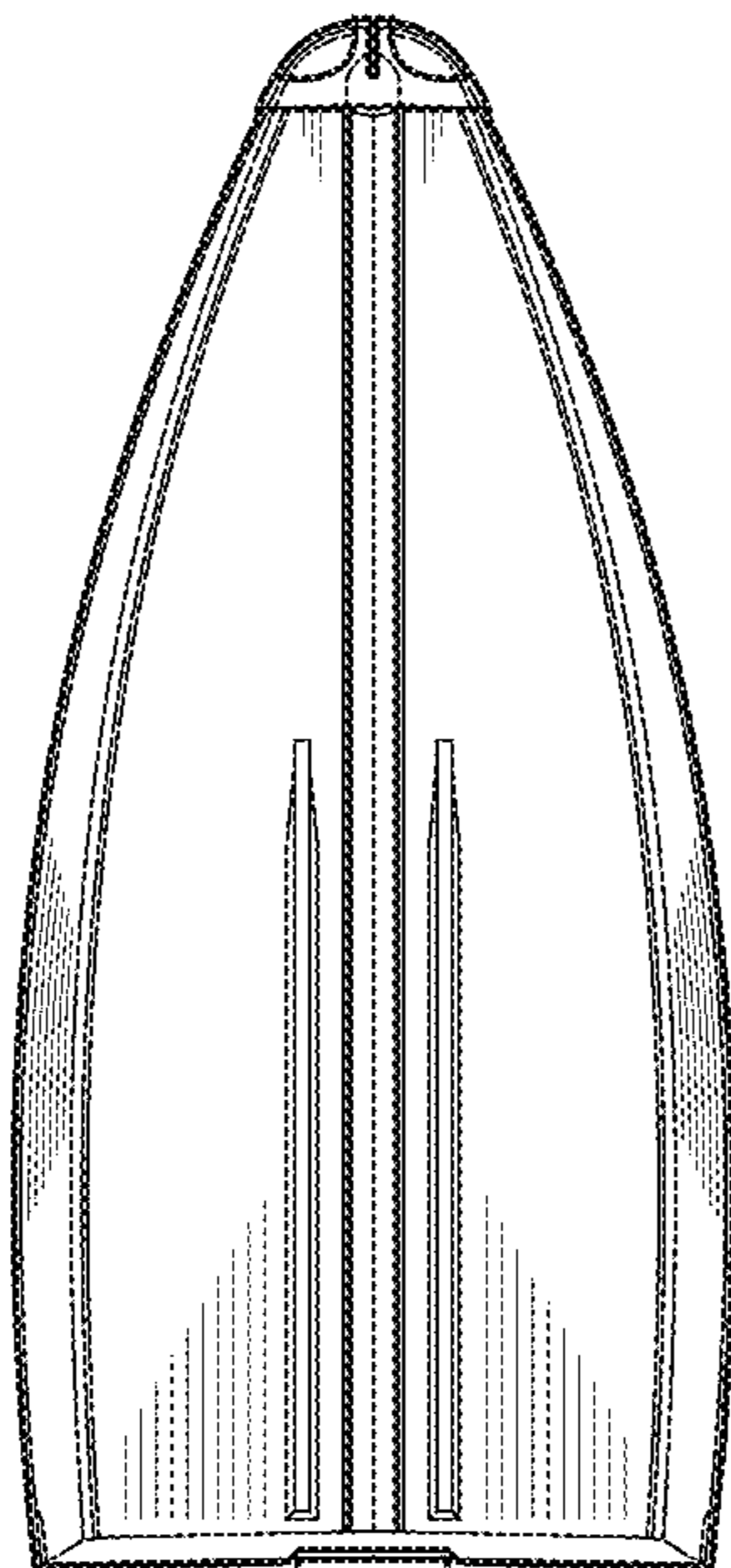
(58) **Field of Classification Search**

USPC D12/300, 302, 303, 304, 307, 310–314, D12/316, 317; 114/39.11–39.15, 114/39.21–39.32, 61.1, 61.2, 61.32, 61.33, 114/62, 144 R, 249, 271, 273, 274, 283, 114/288–292, 343, 355–358, 363; 440/27, 440/35; D21/542–547

DESCRIPTION

FIG. 1 is a front elevational view of the boat showing our design;
FIG. 2 is a rear elevational view thereof;
FIG. 3 is a bottom plan view thereof;
FIG. 4 is a top plan view thereof;
FIG. 5 is a right side elevational view thereof; and,
FIG. 6 is a left side elevational view thereof.
The broken lines in FIG. 4 show portions that form no part of the claimed design.

1 Claim, 6 Drawing Sheets



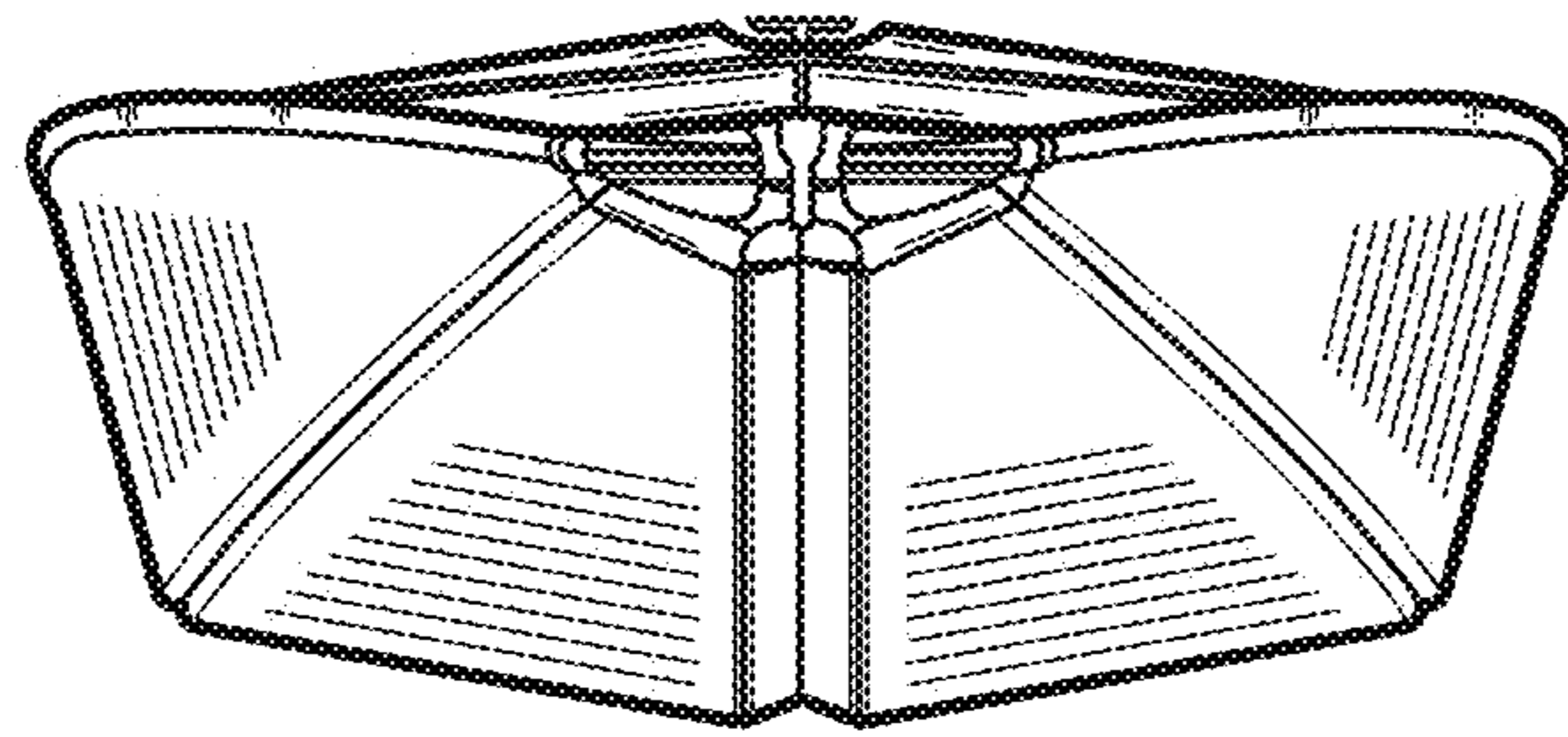


Figure 1

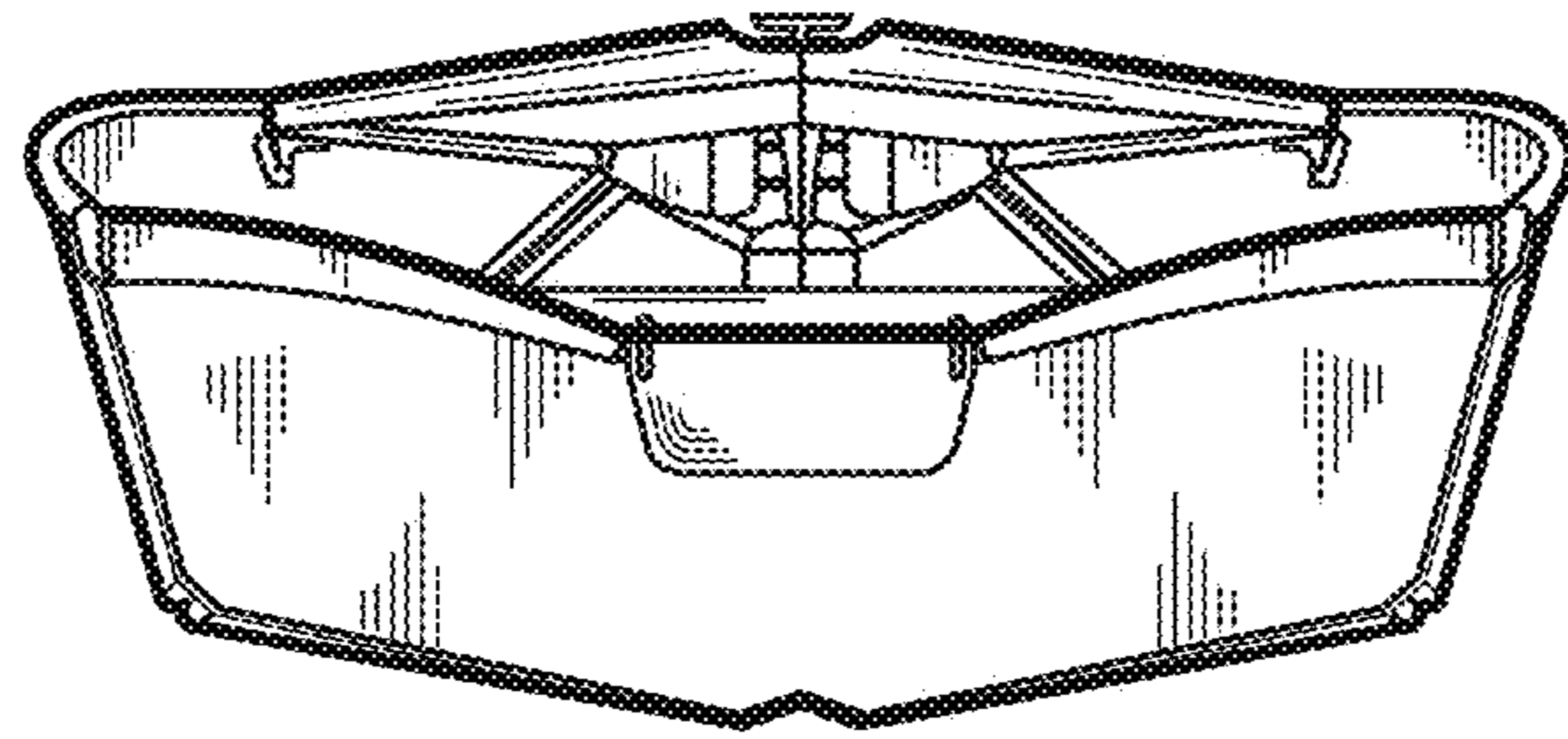


Figure 2

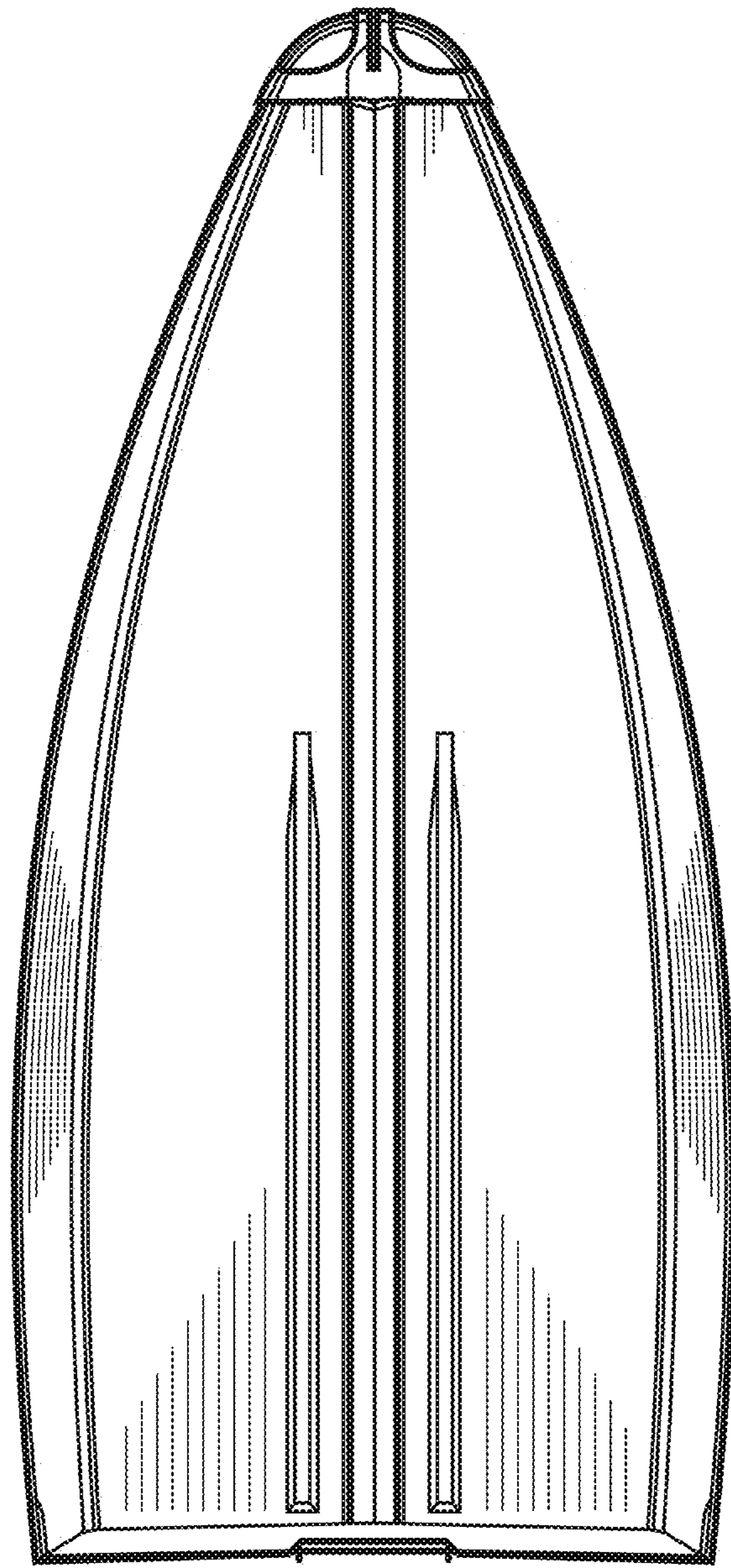


Figure 3

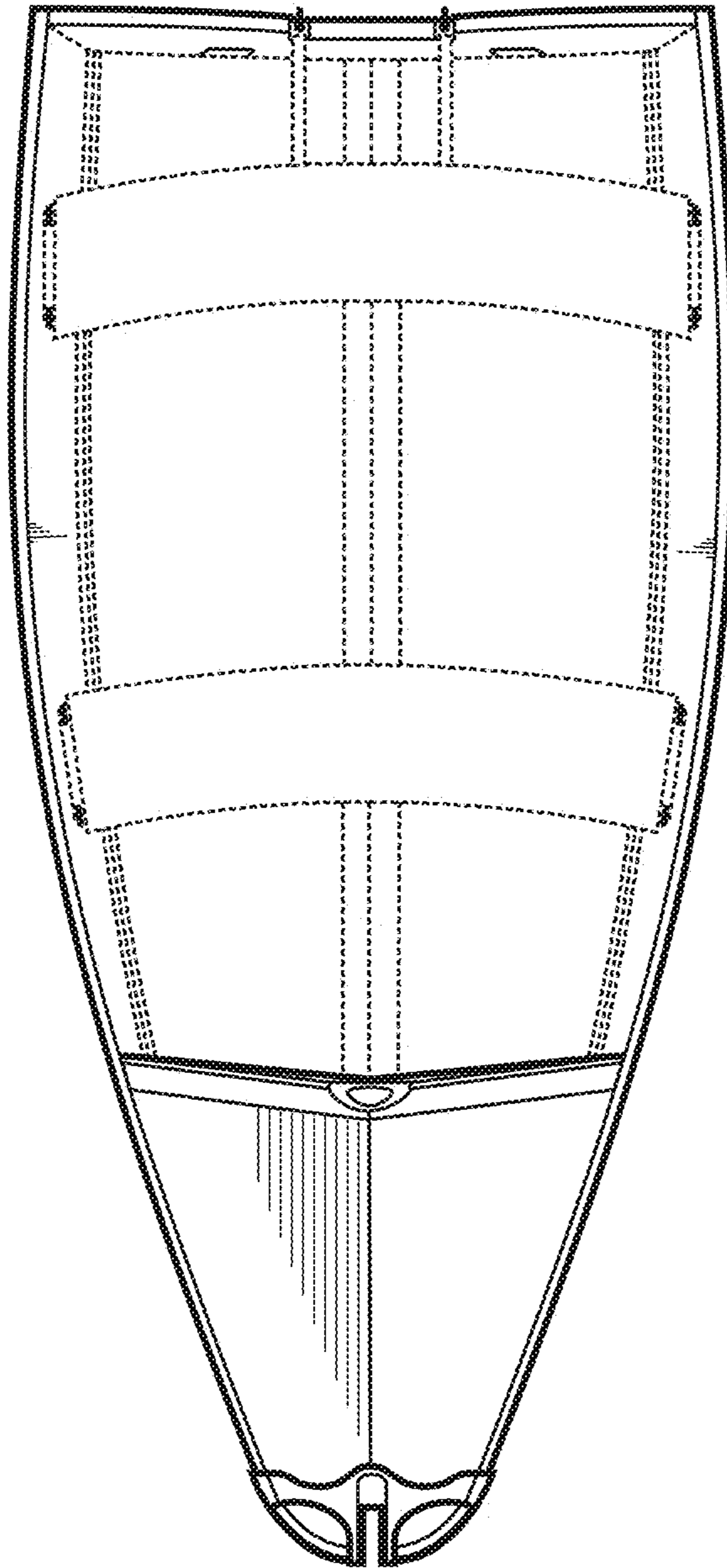


Figure 4

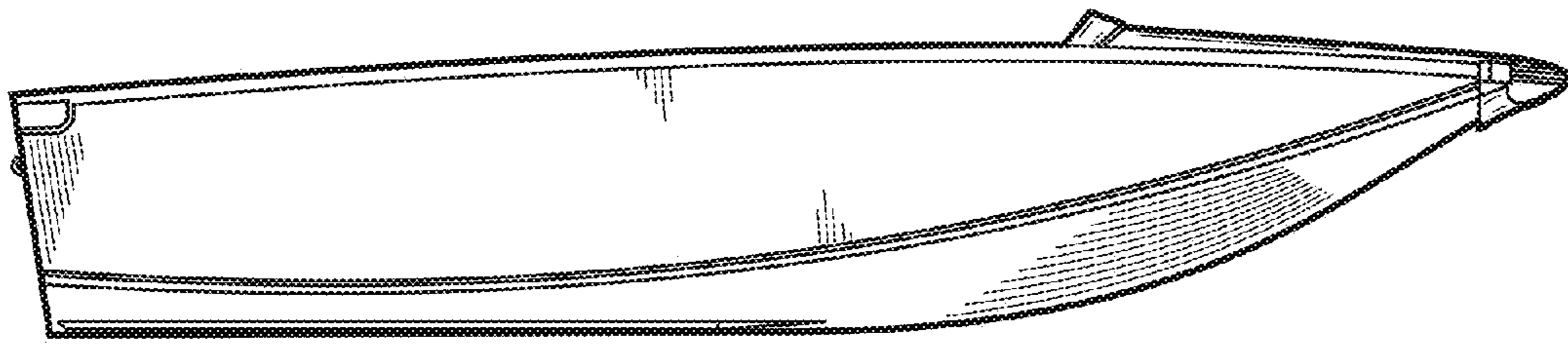


Figure 5



Figure 6