



US00D738278S

(12) **United States Design Patent**
Wolff et al.

(10) **Patent No.:** **US D738,278 S**
(45) **Date of Patent:** **** Sep. 8, 2015**

(54) **VEHICLE WHEEL**

(71) Applicant: **Ford Motor Company**, Dearborn, MI (US)

(72) Inventors: **Max Wolff**, Birmingham, MI (US);
Solomon H Song, Farmington Hills, MI (US); **John Caswell**, Grosse Pointe, MI (US)

(73) Assignee: **Ford Motor Company**, Dearborn, MI (US)

(**) Term: **14 Years**

(21) Appl. No.: **29/517,091**

(22) Filed: **Feb. 10, 2015**

(51) **LOC (10) Cl.** **12-16**

(52) **U.S. Cl.**
USPC **D12/209**

(58) **Field of Classification Search**
USPC D12/204–213
CPC B60B 7/00; B60B 7/02; B60B 7/04;
B60B 7/01; B60B 7/06; B60B 3/02; B60B 3/04;
B60B 3/06; B60B 3/10; B60B 1/00;
B60B 1/08; B60B 1/10; B60B 1/12
See application file for complete search history.

(56) **References Cited**

U.S. PATENT DOCUMENTS

D375,716 S * 11/1996 Dehner D12/209
D455,701 S * 4/2002 McMath D12/209

D588,517 S * 3/2009 Aroney D12/211
D594,800 S * 6/2009 Blasi D12/209
D655,657 S * 3/2012 Juergens et al. D12/209
D660,767 S * 5/2012 von Holzhausen et al. . D12/209
D666,958 S * 9/2012 Suzuki D12/211
D671,876 S * 12/2012 Roura D12/209
D686,132 S * 7/2013 Truebsbach D12/209
D697,467 S * 1/2014 Pollmann D12/209
D709,427 S * 7/2014 Clottu D12/209
D710,286 S * 8/2014 Yamaguchi D12/209
D713,315 S * 9/2014 Juergens et al. D12/209
D725,568 S * 3/2015 Hodges D12/209
D726,628 S * 4/2015 Kong D12/211
D729,138 S * 5/2015 Davidson et al. D12/209
D730,798 S * 6/2015 Diephuis et al. D12/209

OTHER PUBLICATIONS

Cameron Aubernon. NAIAS 2015: 2016 Lincoln MKX Officially Unveiled [online], [retrieved on Feb. 9, 2015] Retrieved from the Internet <URL: <http://www.thetruthaboutcars.com/2015/01/naias-2016-2016-lincoln-mks-officially-unveiled/>.

* cited by examiner

Primary Examiner — Stacia Cadmus

(74) *Attorney, Agent, or Firm* — Damian Porcari

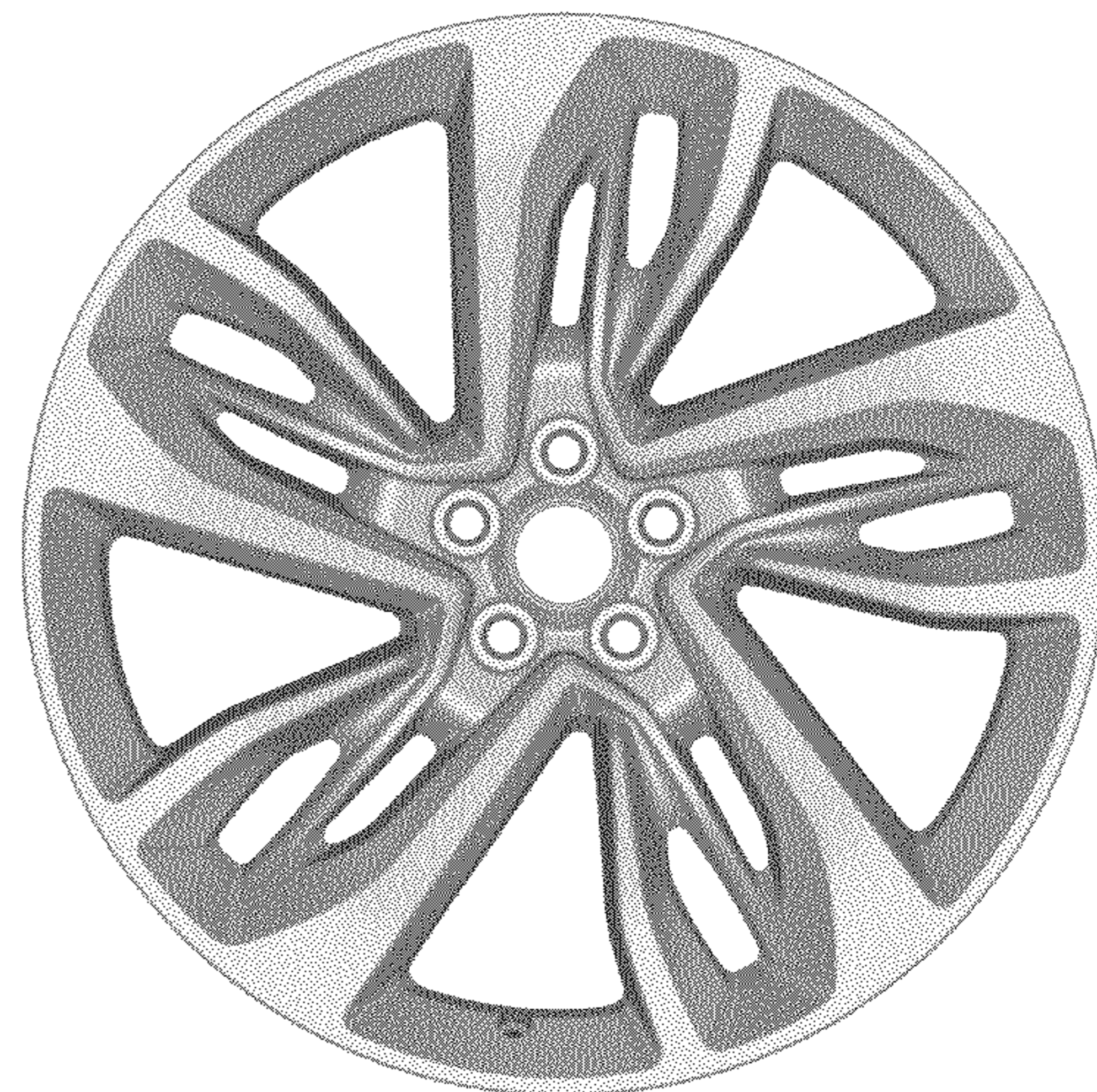
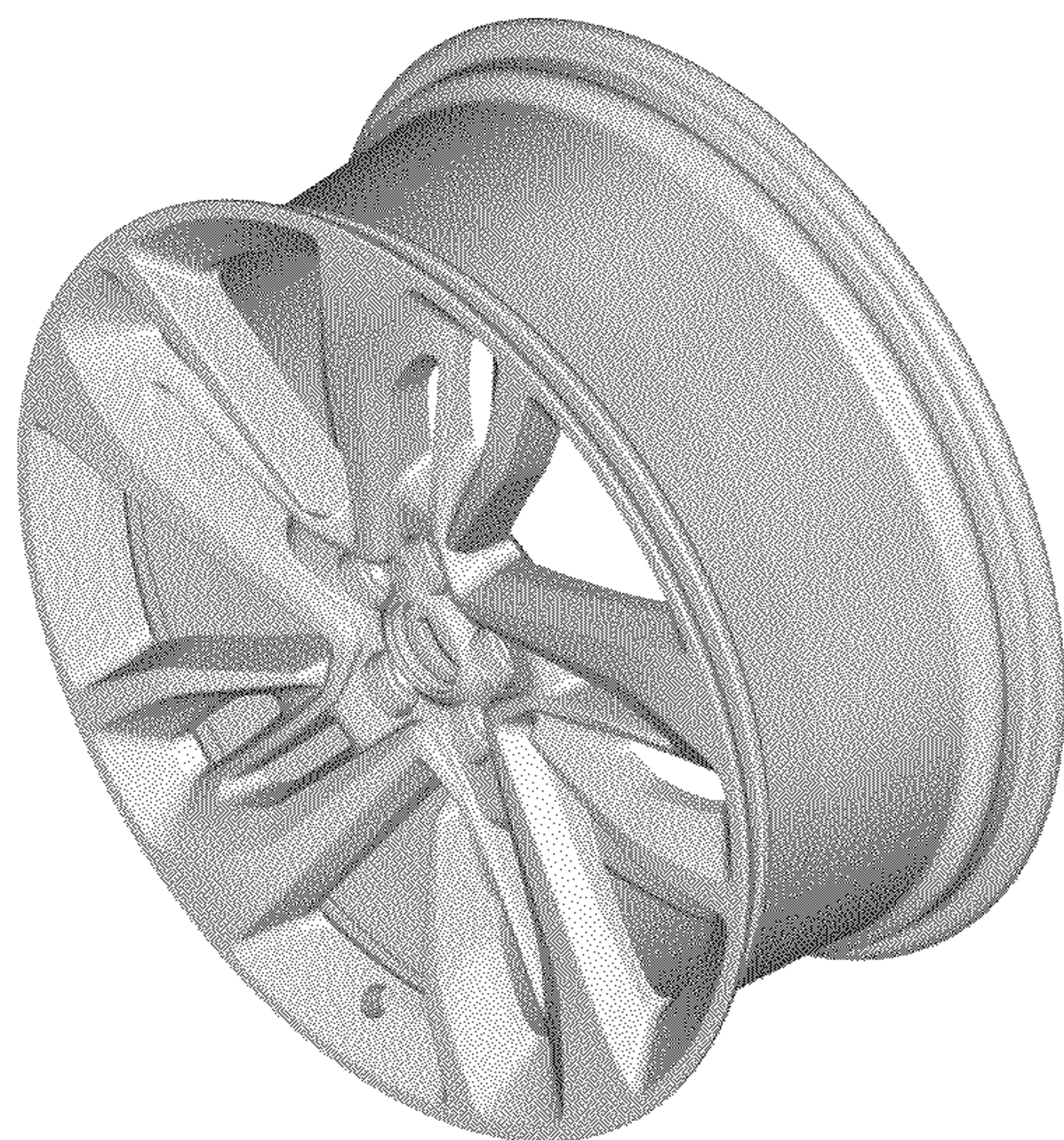
(57) **CLAIM**

The ornamental design for a vehicle wheel, as shown and described.

DESCRIPTION

FIG. 1 is a perspective view of a vehicle wheel; and, FIG. 2 is a front view thereof.

1 Claim, 2 Drawing Sheets



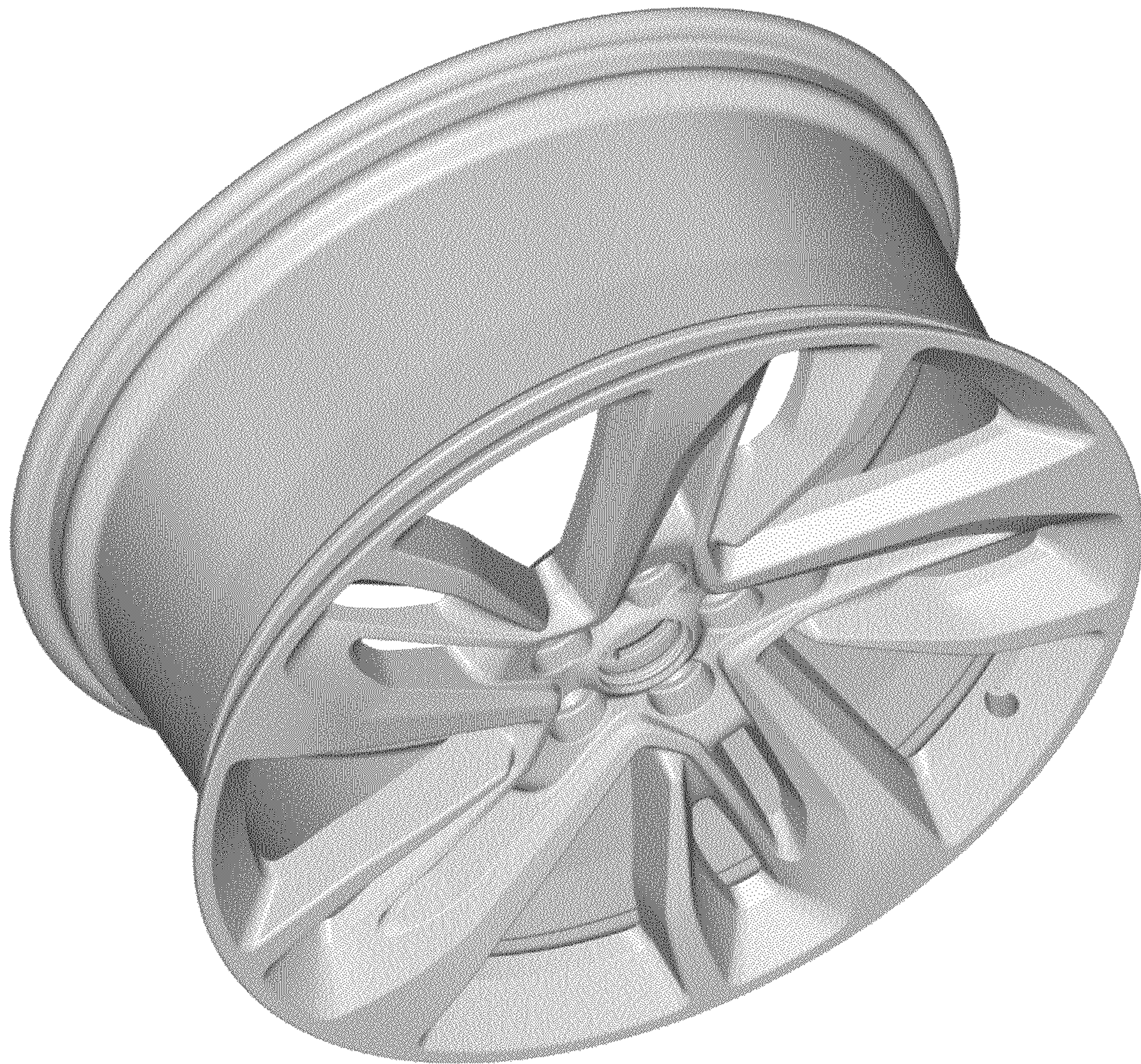


Figure 1



Figure 2