



US00D738272S

(12) **United States Design Patent**
Kamiura et al.

(10) **Patent No.:** **US D738,272 S**
(45) **Date of Patent:** **** Sep. 8, 2015**

- (54) **BUMPER FOR AN AUTOMOBILE**
- (71) Applicants: **Shin Kamiura**, Toyota (JP); **Nobuyuki Tomatsu**, Nagoya (JP)
- (72) Inventors: **Shin Kamiura**, Toyota (JP); **Nobuyuki Tomatsu**, Nagoya (JP)
- (73) Assignee: **Toyota Jidosha Kabushiki Kaisha** (JP)
- (**) Term: **14 Years**
- (21) Appl. No.: **29/521,650**
- (22) Filed: **Mar. 25, 2015**

7,891,452	B2 *	2/2011	Iwamoto et al.	180/89.2
D640,617	S *	6/2011	Furst	D12/169
D653,593	S *	2/2012	Nishihama	D12/169
D671,049	S *	11/2012	Davidson et al.	D12/169
D678,826	S *	3/2013	Akamine et al.	D12/169
D680,473	S *	4/2013	Kido et al.	D12/163
D684,905	S *	6/2013	Tase et al.	D12/169
D695,168	S *	12/2013	Kawasaki	D12/169
D696,168	S *	12/2013	Ito	D12/169
D705,139	S *	5/2014	Jevremovic et al.	D12/169
D708,995	S *	7/2014	Chen et al.	D12/169
D712,802	S *	9/2014	Scheinhuette	D12/169
D713,304	S *	9/2014	Tsuchida et al.	D12/169

(Continued)

OTHER PUBLICATIONS

Lexus, Lexus GS 450h (2013) <http://www.netcarshow.com/lexus/2013-gs_450/> at <http://photo.netcarshow.com/Lexus-GS_450h_2013_photo_25.jpg>, available at least as early as May 31, 2013.

(Continued)

Related U.S. Application Data

- (62) Division of application No. 29/482,960, filed on Feb. 24, 2014.

Foreign Application Priority Data

- Sep. 2, 2013 (JP) 2013-020193
- Sep. 2, 2013 (JP) 2013-020194

- (51) **LOC (10) Cl.** **12-16**
- (52) **U.S. Cl.**
USPC **D12/169**

- (58) **Field of Classification Search**
USPC D12/169, 216, 90-92, 86, 171, 196,
D12/163; 293/102, 113, 115, 117, 120;
296/180.1, 180.2
CPC B60R 19/02; B60R 19/04; B62D 25/08
See application file for complete search history.

References Cited

U.S. PATENT DOCUMENTS

D462,038	S *	8/2002	Yokomaku	D12/169
6,520,553	B2 *	2/2003	Muramatsu	293/155
D585,002	S *	1/2009	Tamura	D12/169
D610,503	S *	2/2010	Bucher et al.	D12/169

Primary Examiner — Melody N Brown

(74) *Attorney, Agent, or Firm* — Saidman DesignLaw, LLC

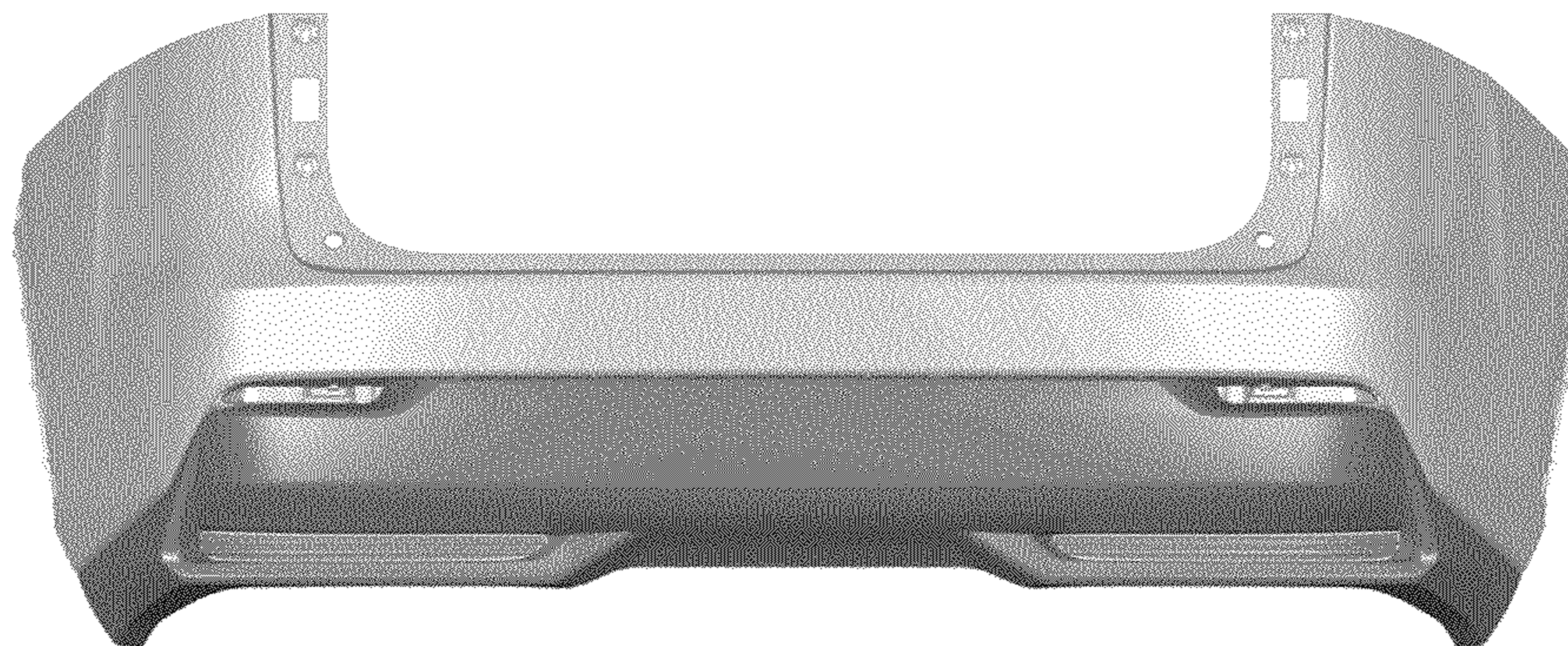
(57) **CLAIM**

The ornamental design for a bumper for an automobile, as shown and described.

DESCRIPTION

FIG. 1 is a perspective view of a bumper for an automobile showing our new design;
 FIG. 2 is a front view thereof;
 FIG. 3 is a rear view thereof;
 FIG. 4 is a top view thereof;
 FIG. 5 is a bottom view thereof; and,
 FIG. 6 is a right side view, the left side view being a mirror image thereof.
 The drawings include shadows and reflections which indicate contour, not surface ornamentation.

1 Claim, 3 Drawing Sheets



(56)

References Cited

U.S. PATENT DOCUMENTS

D713,766	S	*	9/2014	Katou et al.	D12/169
D715,708	S	*	10/2014	Mays et al.	D12/169
D721,306	S	*	1/2015	George et al.	D12/169
D721,625	S	*	1/2015	George et al.	D12/169
D725,009	S	*	3/2015	Hirai et al.	D12/169
D725,010	S	*	3/2015	Takei et al.	D12/169

OTHER PUBLICATIONS

Citroen, Citroen DS Wild Rubis Concept (2013) <http://www.netcarshow.com/citroen/2013-ds_wild_rubis_concept/> at <http://photo.netcarshow.com/Citroen-DS_Wild_Rubis_Concept_2013_photo_oe.jpg>, available at least as early as May 31, 2013.

Nissan, Nissan Resonance Concept (2013) <http://www.netcarshow.com/nissan/2013-resonance_concept/> at <http://photo.netcarshow.com/Nissan-Resonance_Concept_2013_photo_04.jpg>, available at least as early as May 31, 2013.

Lexus, Lexus GS 350 (2013) <http://www.netcarshow.com/lexus/2013-gs_350/> at <http://photo.netcarshow.com/Lexus-GS_350_2013_photo_2b.jpg>, available at least as early as May 31, 2013.

Mercedes-Benz, Mercedes-Benz CLA-Class (2014) <<http://www.netcarshow.com/mercedes-benz/2014-cla-class/>> at <http://photo.netcarshow.com/Mercedes-Benz-CLA-Class_2014_photo_3d.jpg>, available at least as early as May 31, 2013.

Audi, Audi RS5 (2012) <<http://www.netcarshow.com/audi/2012-rs5/>> at <http://photo.netcarshow.com/Audi-RS5_2012_photo_36.jpg>, available at least as early as May 31, 2013.

* cited by examiner

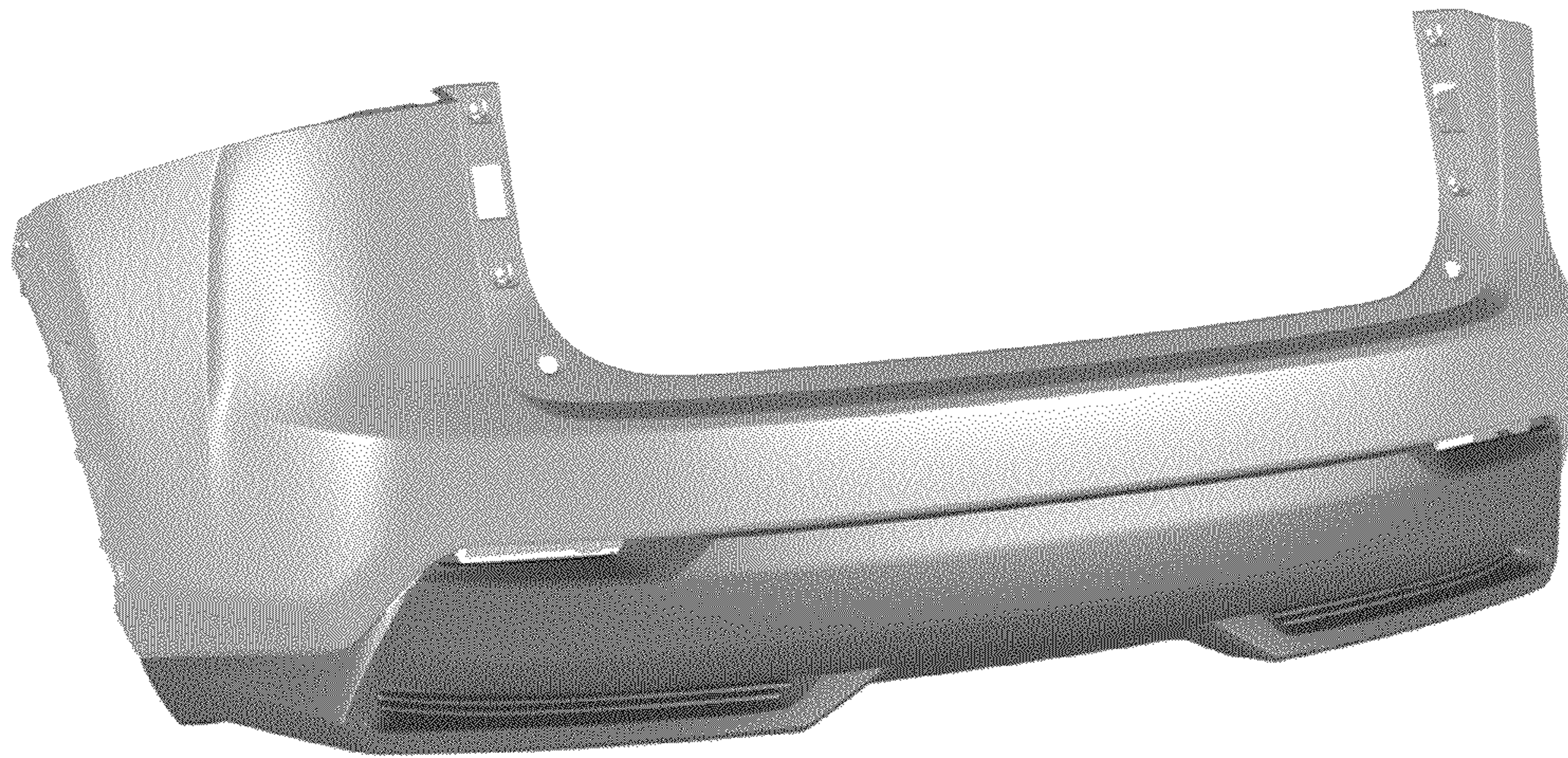


Fig. 1

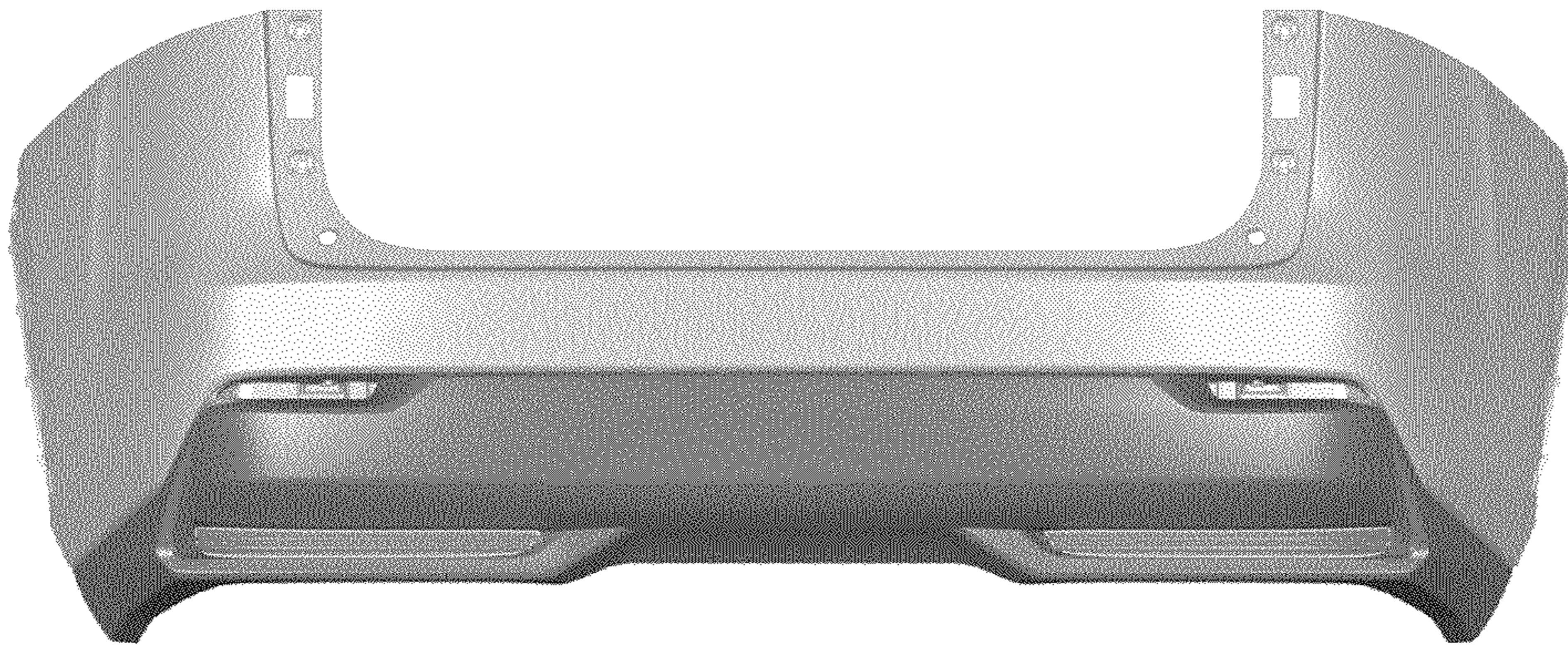


Fig. 2

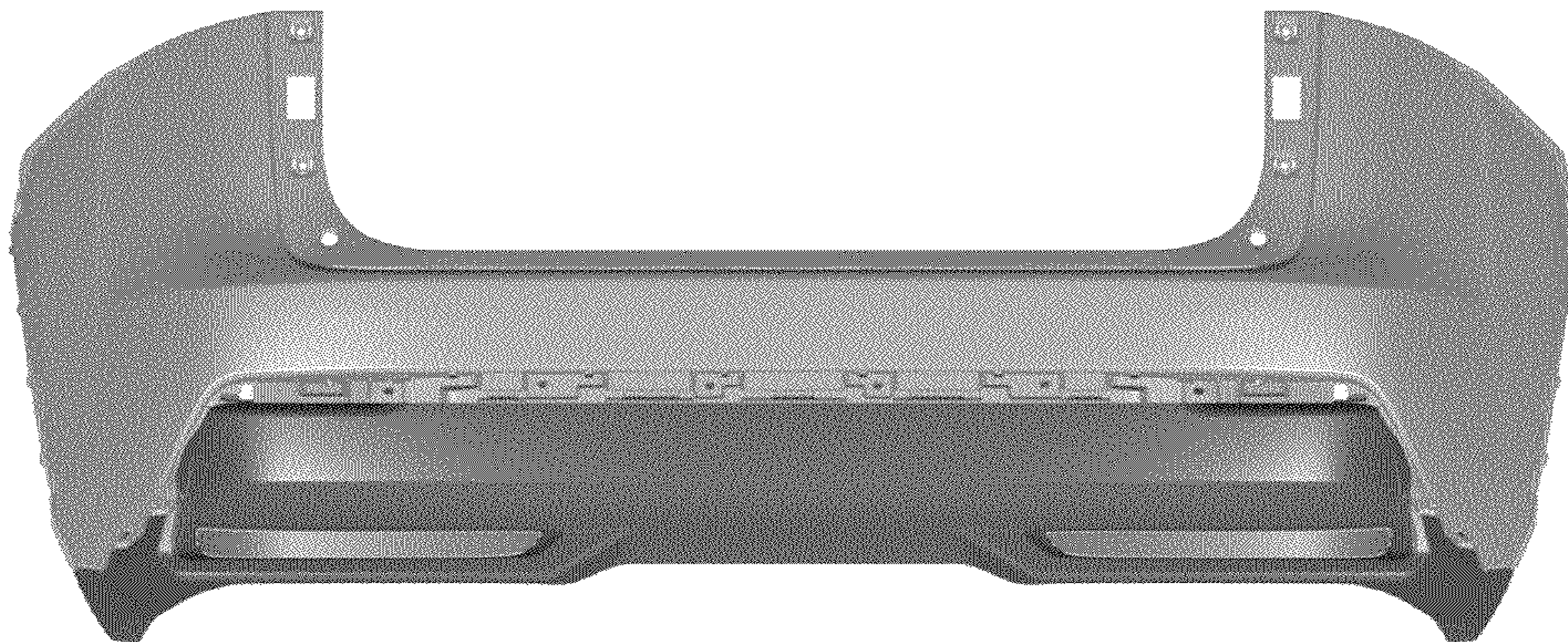


Fig. 3

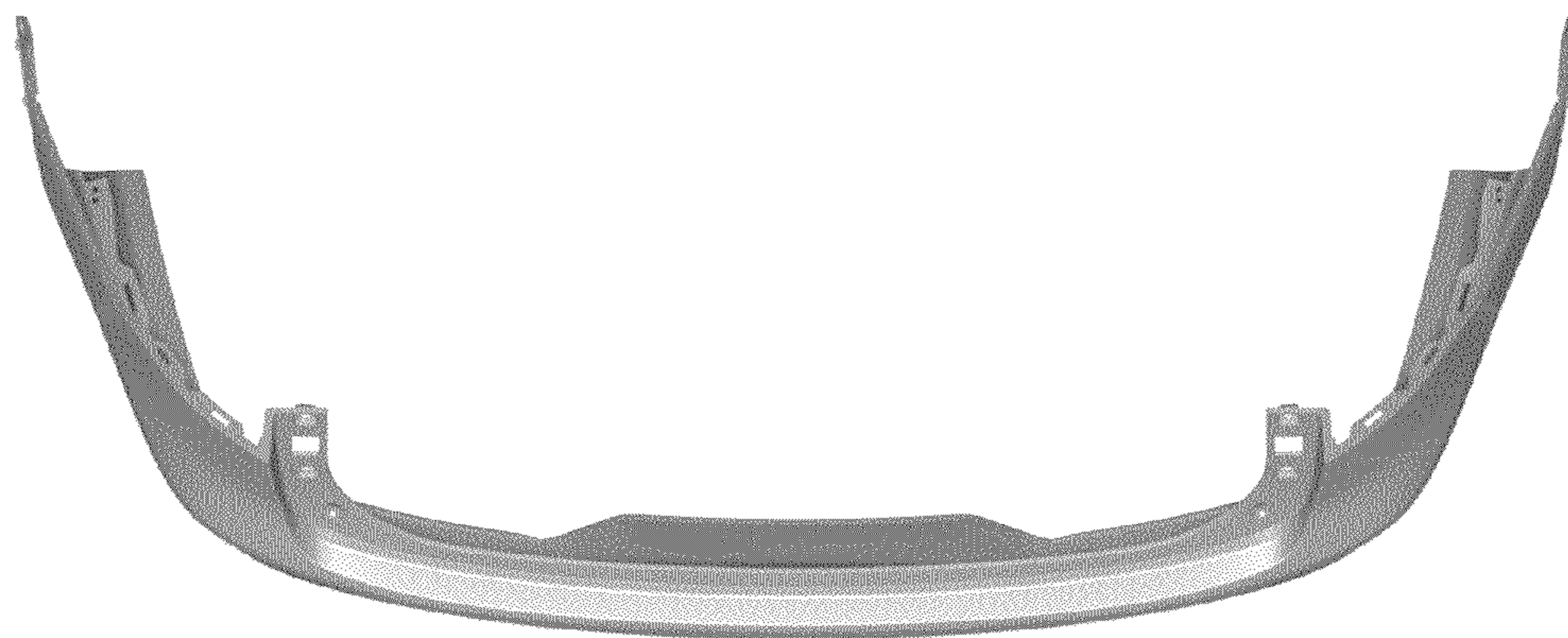


Fig. 4

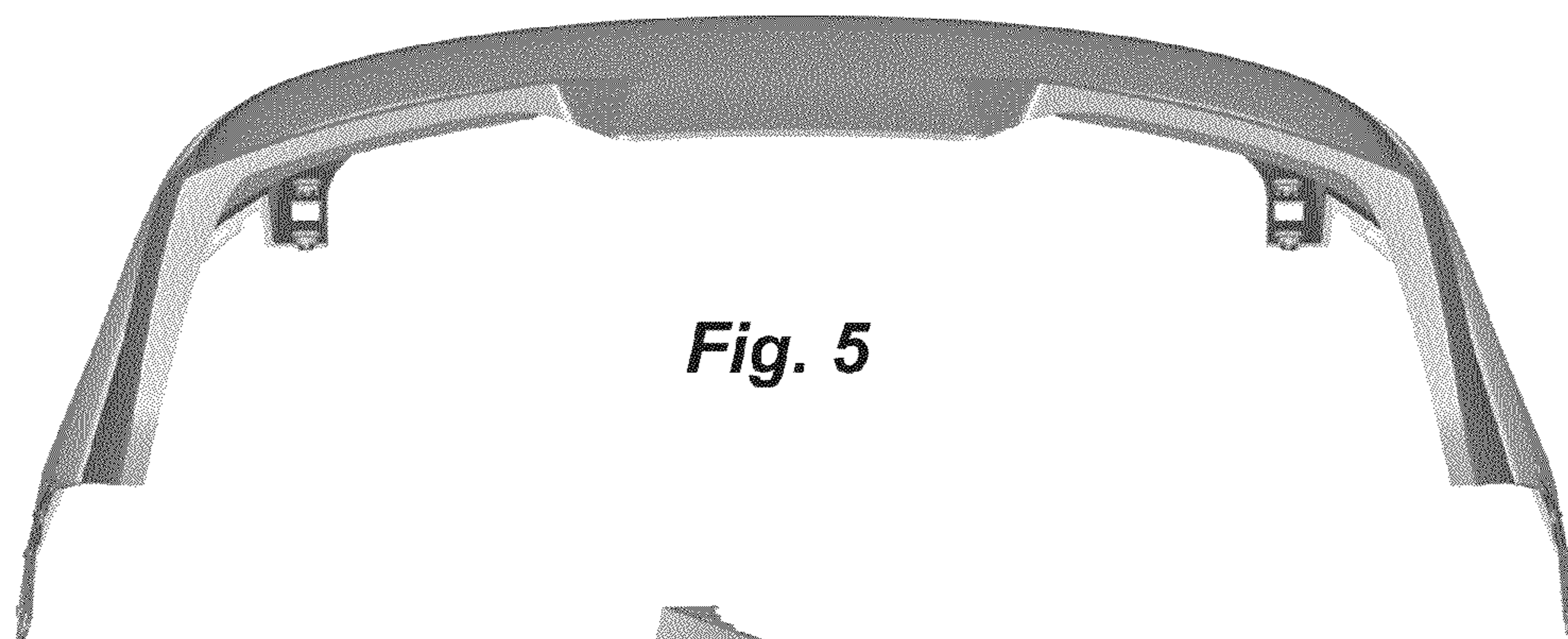


Fig. 5

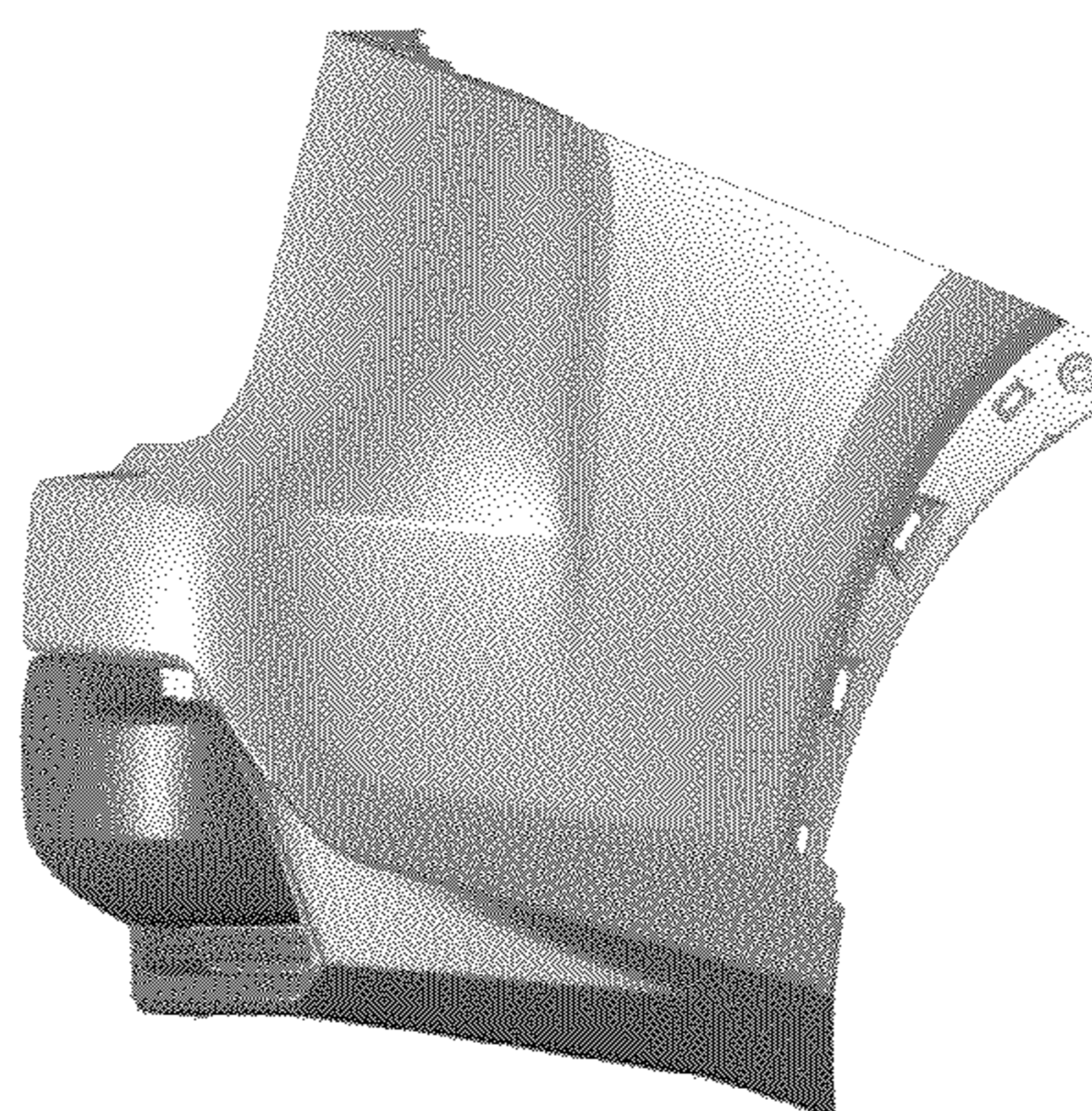


Fig. 6