

US00D738271S

(12) **United States Design Patent**
Glover et al.

(10) **Patent No.:** **US D738,271 S**
(45) **Date of Patent:** **** Sep. 8, 2015**

- (54) **VEHICLE LOWER REAR END**
- (71) Applicants: **Jeremy Glover**, Clawson, MI (US);
Brian Nielander, Royal Oak, MI (US);
Mark T Allen, Oxford, MI (US)
- (72) Inventors: **Jeremy Glover**, Clawson, MI (US);
Brian Nielander, Royal Oak, MI (US);
Mark T Allen, Oxford, MI (US)
- (73) Assignee: **FCA US LLC**, Auburn Hills, MI (US)

D640,613 S *	6/2011	Bauer et al.	D12/169
D664,485 S *	7/2012	Xu et al.	D12/169
D668,594 S *	10/2012	Davidson et al.	D12/169
D670,623 S *	11/2012	Koehl et al.	D12/169
D671,049 S *	11/2012	Davidson et al.	D12/169
D679,226 S *	4/2013	Schmeckpeper	D12/169
D682,169 S *	5/2013	Choi	D12/169
D684,904 S *	6/2013	Tase et al.	D12/169
D686,119 S *	7/2013	Futschik et al.	D12/169
D690,630 S *	10/2013	Kazama	D12/169
D705,140 S *	5/2014	Kawasaki	D12/169
D718,680 S *	12/2014	Galante et al.	D12/169

(**) Term: **14 Years**

(21) Appl. No.: **29/507,352**

(22) Filed: **Oct. 27, 2014**

Related U.S. Application Data

(63) Continuation-in-part of application No. 29/482,347,
filed on Feb. 18, 2014, now Pat. No. Des. 728,425.

(51) **LOC (10) Cl.** **12-16**

(52) **U.S. Cl.**
USPC **D12/169**

(58) **Field of Classification Search**
USPC D12/169, 216, 90-92, 86, 171, 196,
D12/163; 293/102, 113, 115, 117, 120;
296/180.1, 180.2
CPC B60R 19/02; B60R 19/04; B62D 25/08
See application file for complete search history.

(56) **References Cited**

U.S. PATENT DOCUMENTS

D604,678 S *	11/2009	Walter et al.	D12/169
D639,215 S *	6/2011	Faghihzadeh	D12/169

* cited by examiner

Primary Examiner — Melody N Brown

(74) *Attorney, Agent, or Firm* — Ralph E Smith

(57) **CLAIM**

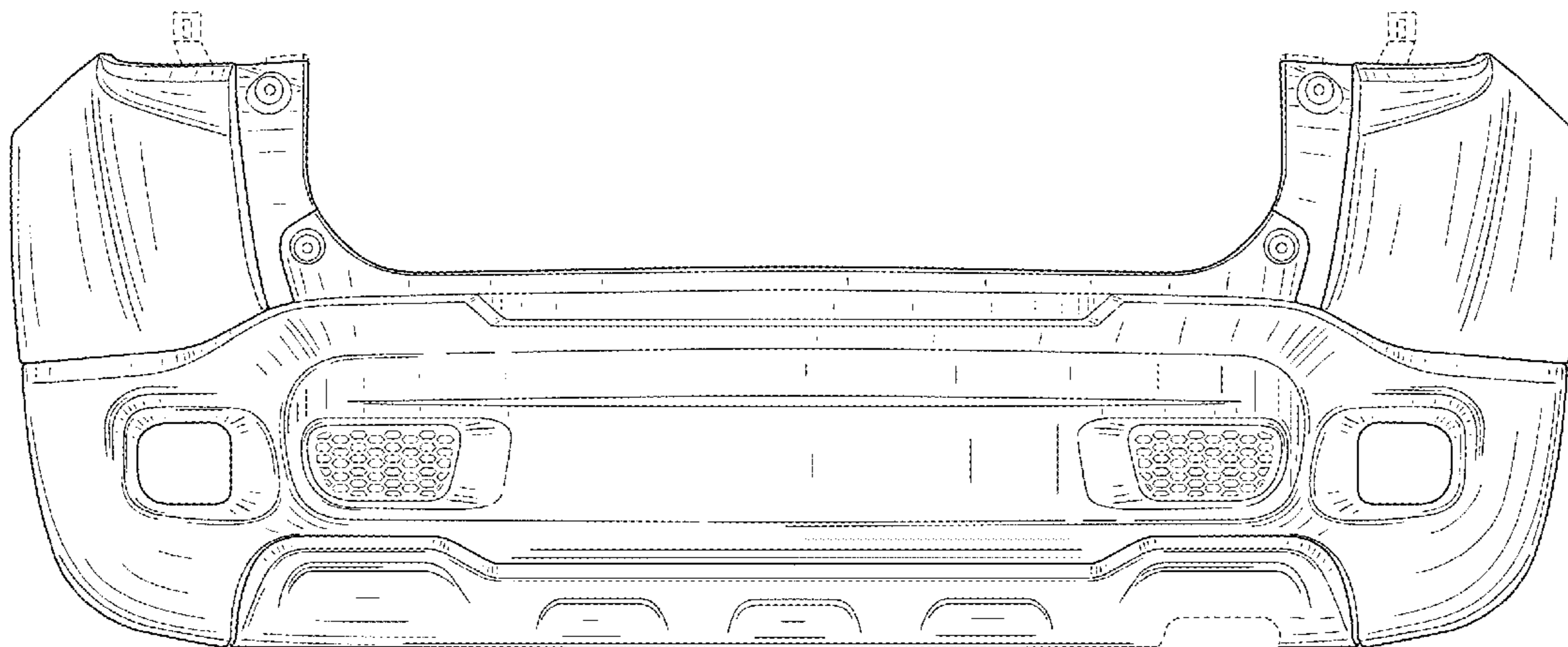
The ornamental design for a vehicle lower rear end, as shown and described.

DESCRIPTION

FIG. 1 is a front perspective view of a vehicle lower rear end showing our new design;
FIG. 2 is a front elevational view thereof;
FIG. 3 is a rear view thereof;
FIG. 4 is a right side view thereof;
FIG. 5 is a left side view thereof;
FIG. 6 is a top view thereof; and,
FIG. 7 is a bottom view.

It will be understood that the broken lines shown in the drawings illustrate portions of the vehicle lower rear end that form no part of claimed design.

1 Claim, 6 Drawing Sheets



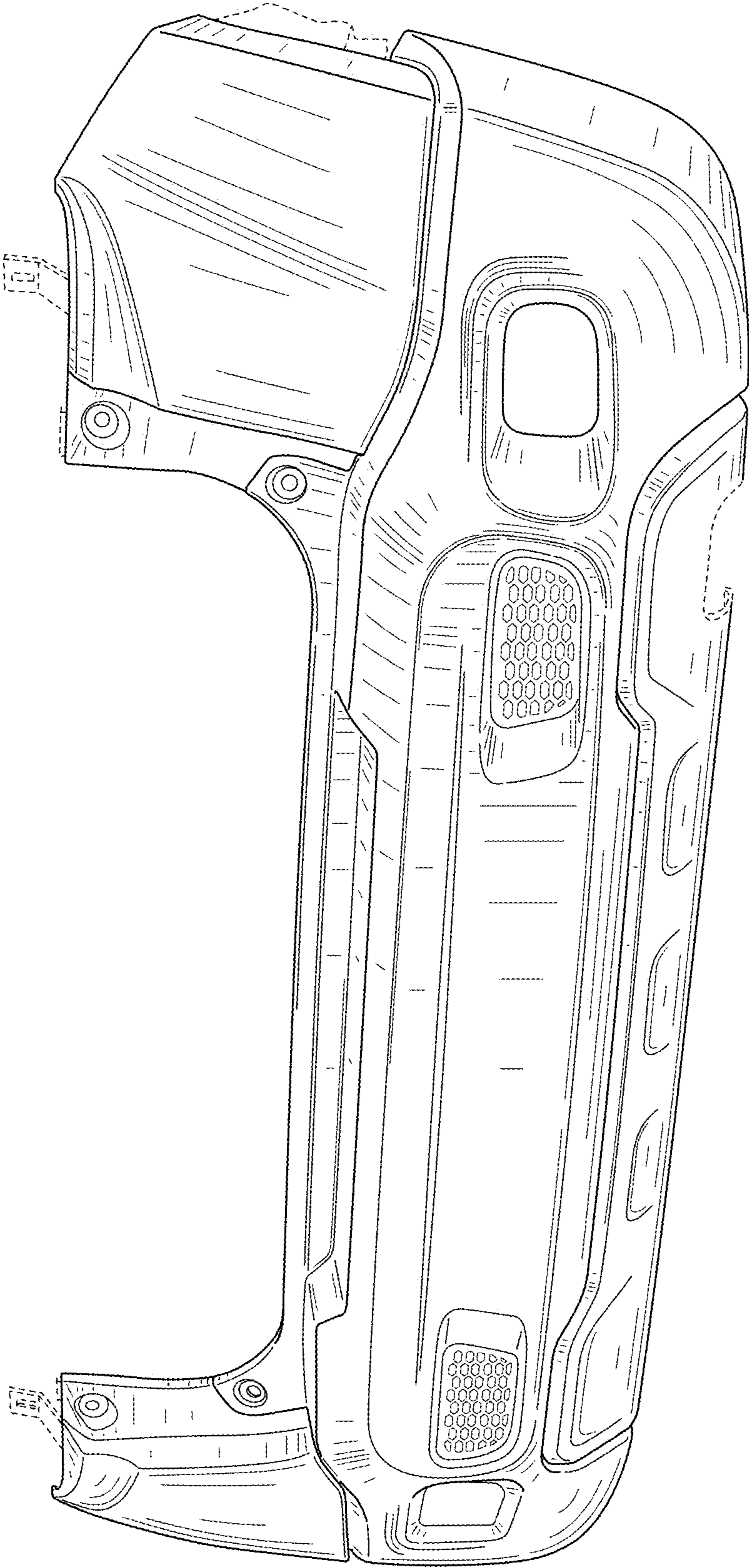


FIG. 1

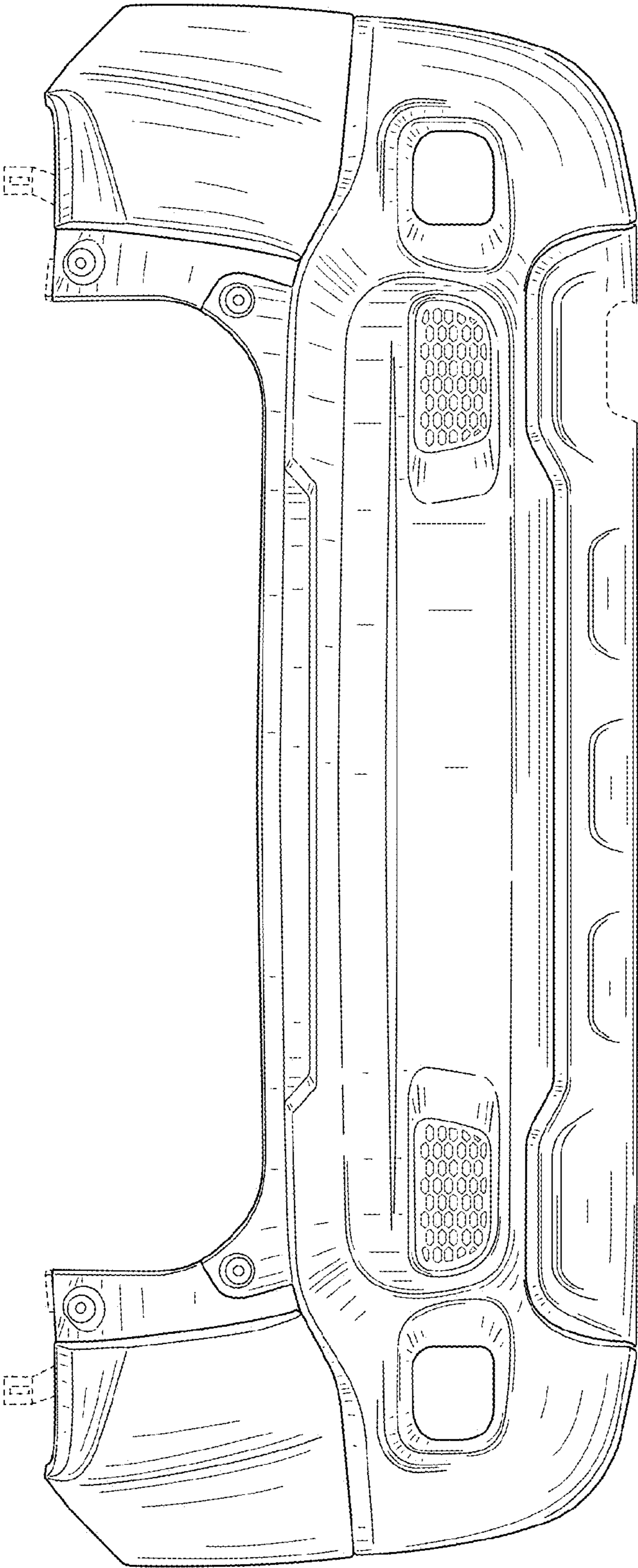


FIG. 2

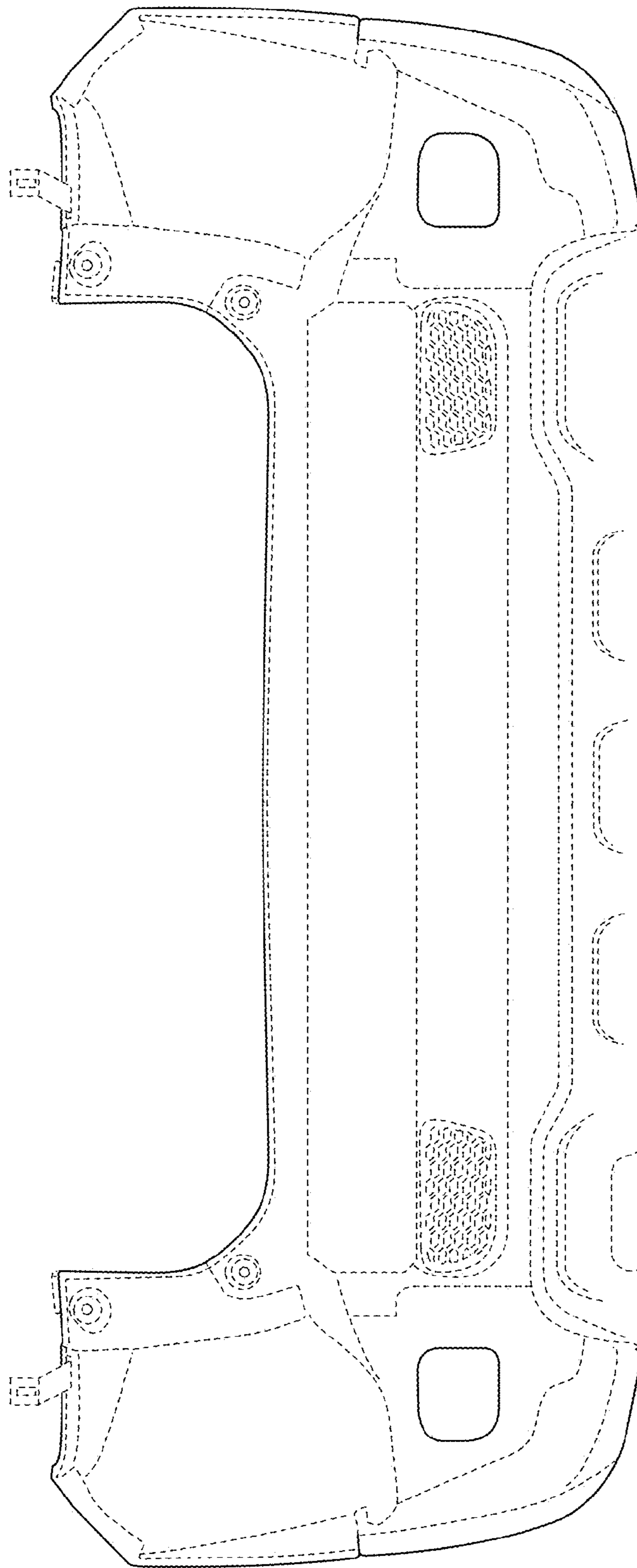


FIG. 3

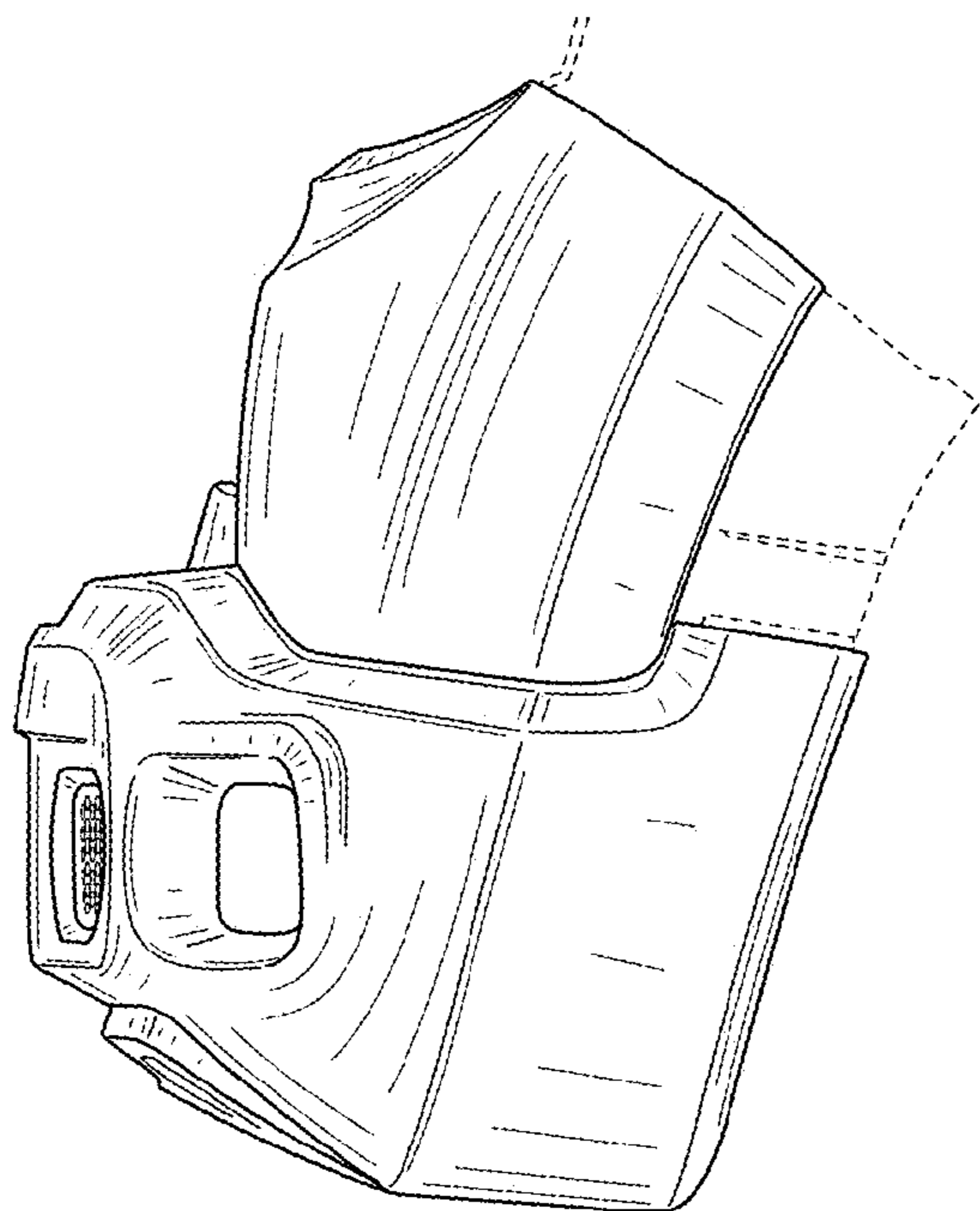


FIG. 4

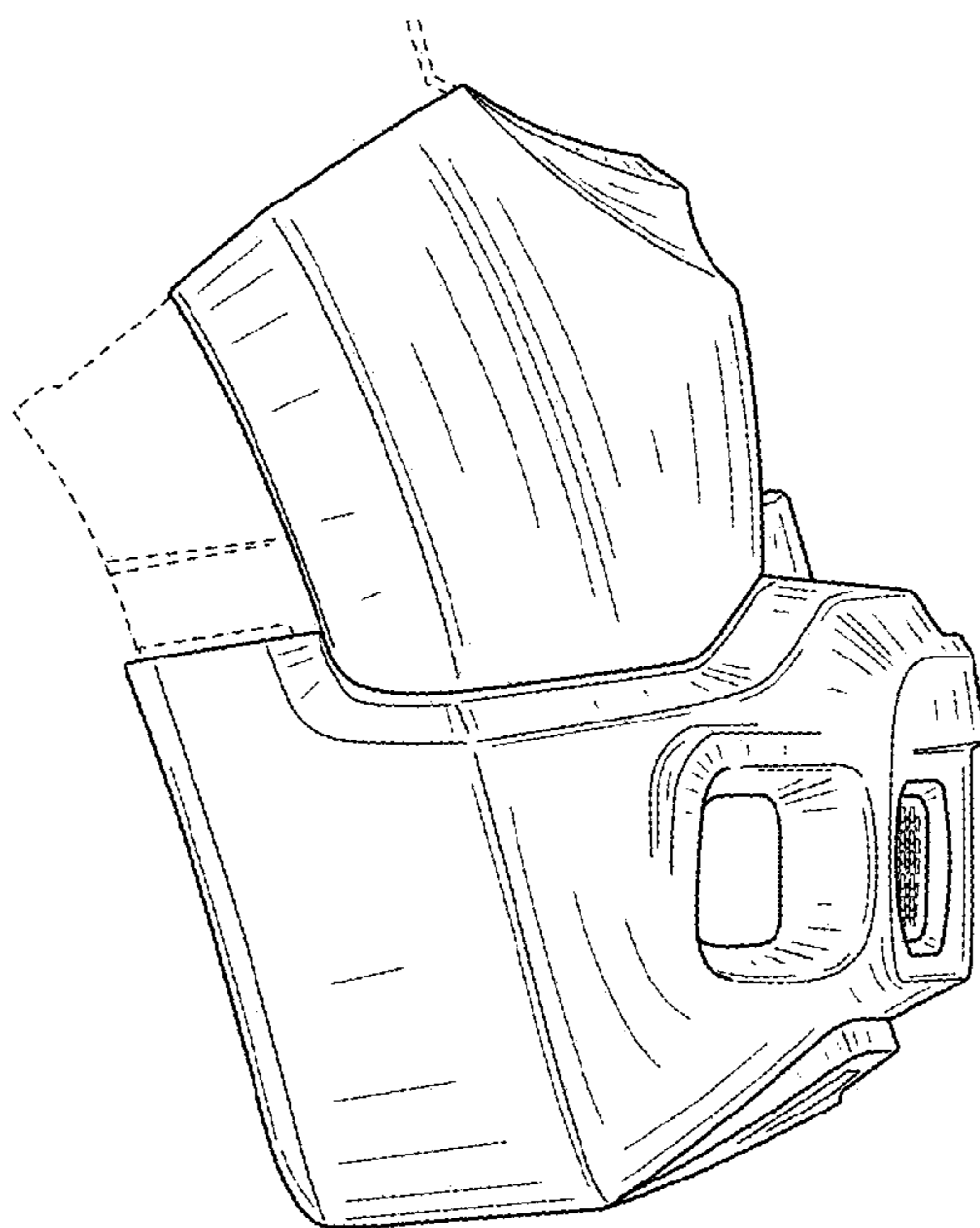


FIG. 5

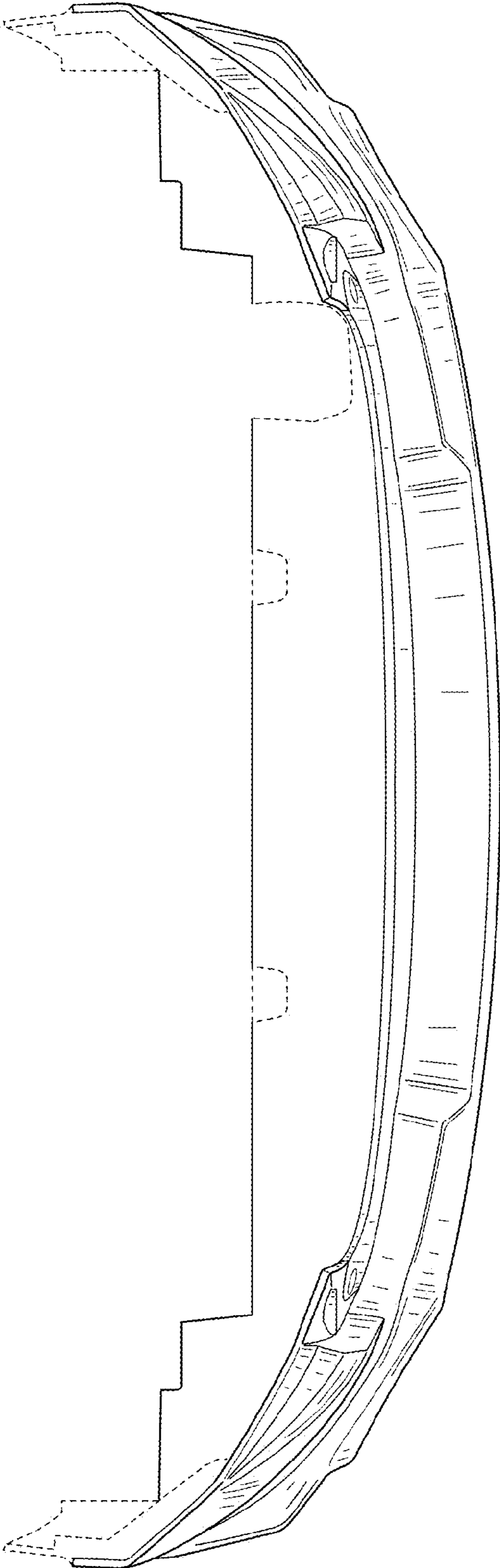


FIG. 6

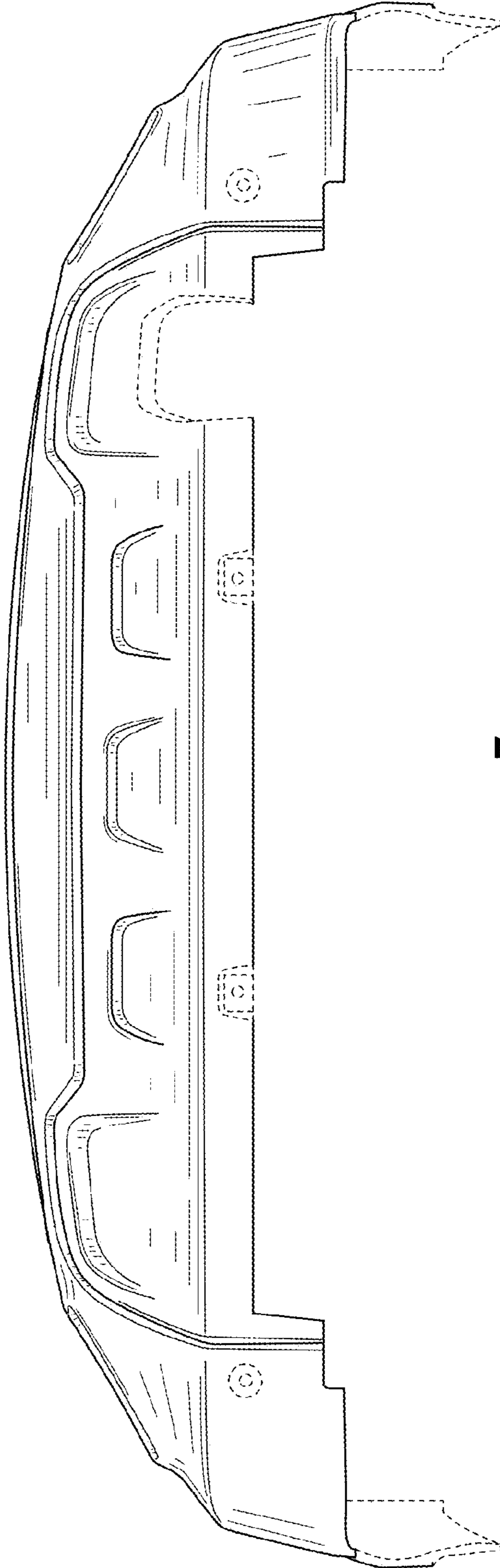


FIG. 7