



US00D738269S

(12) **United States Design Patent**  
**Blanski et al.**

(10) **Patent No.:** **US D738,269 S**  
(45) **Date of Patent:** **\*\* Sep. 8, 2015**

(54) **VEHICLE REAR LOWER BUMPER COVER INSERT**

(71) Applicant: **Ford Motor Company**, Dearborn, MI (US)

(72) Inventors: **Dillon R. Blanski**, Ferndale, MI (US);  
**Murat Gueler**, Cologne (DE);  
**Christopher Hamilton**, Cold Norton (GB)

(73) Assignee: **Ford Motor Company**, Dearborn, MI (US)

(\*\*) Term: **14 Years**

(21) Appl. No.: **29/491,435**

(22) Filed: **May 21, 2014**

(51) **LOC (10) Cl.** ..... **12-16**

(52) **U.S. Cl.**  
USPC ..... **D12/169**

(58) **Field of Classification Search**  
USPC ..... D12/169, 216, 90-92, 86, 171, 196,  
D12/163; 293/102, 113, 115, 117, 120;  
296/180.1, 180.2  
CPC ..... B60R 19/02; B60R 19/04; B62D 25/08  
See application file for complete search history.

(56) **References Cited**

U.S. PATENT DOCUMENTS

D630,976 S *	1/2011	Clottu .....	D12/169
D639,215 S *	6/2011	Faghihzadeh .....	D12/169
D640,613 S *	6/2011	Bauer et al. ....	D12/169
D644,575 S *	9/2011	Messale .....	D12/169
D663,660 S *	7/2012	Platto et al. ....	D12/169
D675,136 S *	1/2013	Hamilton et al. ....	D12/169
D678,146 S *	3/2013	Behmer et al. ....	D12/169
D683,671 S *	6/2013	Platto et al. ....	D12/169
D692,808 S *	11/2013	Morioka .....	D12/169
D696,168 S *	12/2013	Ito .....	D12/169
D712,805 S *	9/2014	Murkett .....	D12/169

\* cited by examiner

*Primary Examiner* — Melody N Brown

(74) *Attorney, Agent, or Firm* — Damian Porcari

(57) **CLAIM**

The ornamental design for a vehicle rear lower bumper cover insert, as shown and described.

**DESCRIPTION**

FIG. 1 is a perspective view of a vehicle rear lower bumper cover insert;  
FIG. 2 is another perspective view thereof;  
FIG. 3 is a front elevational view thereof;  
FIG. 4 is a left side elevational view thereof;  
FIG. 5 is a right side elevational view thereof;  
FIG. 6 is a top plan view thereof; and,  
FIG. 7 is a bottom plan view thereof.

**1 Claim, 7 Drawing Sheets**

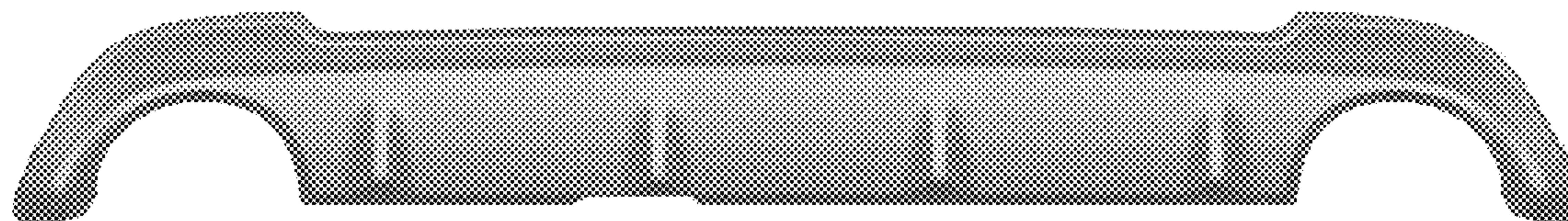


Figure 1



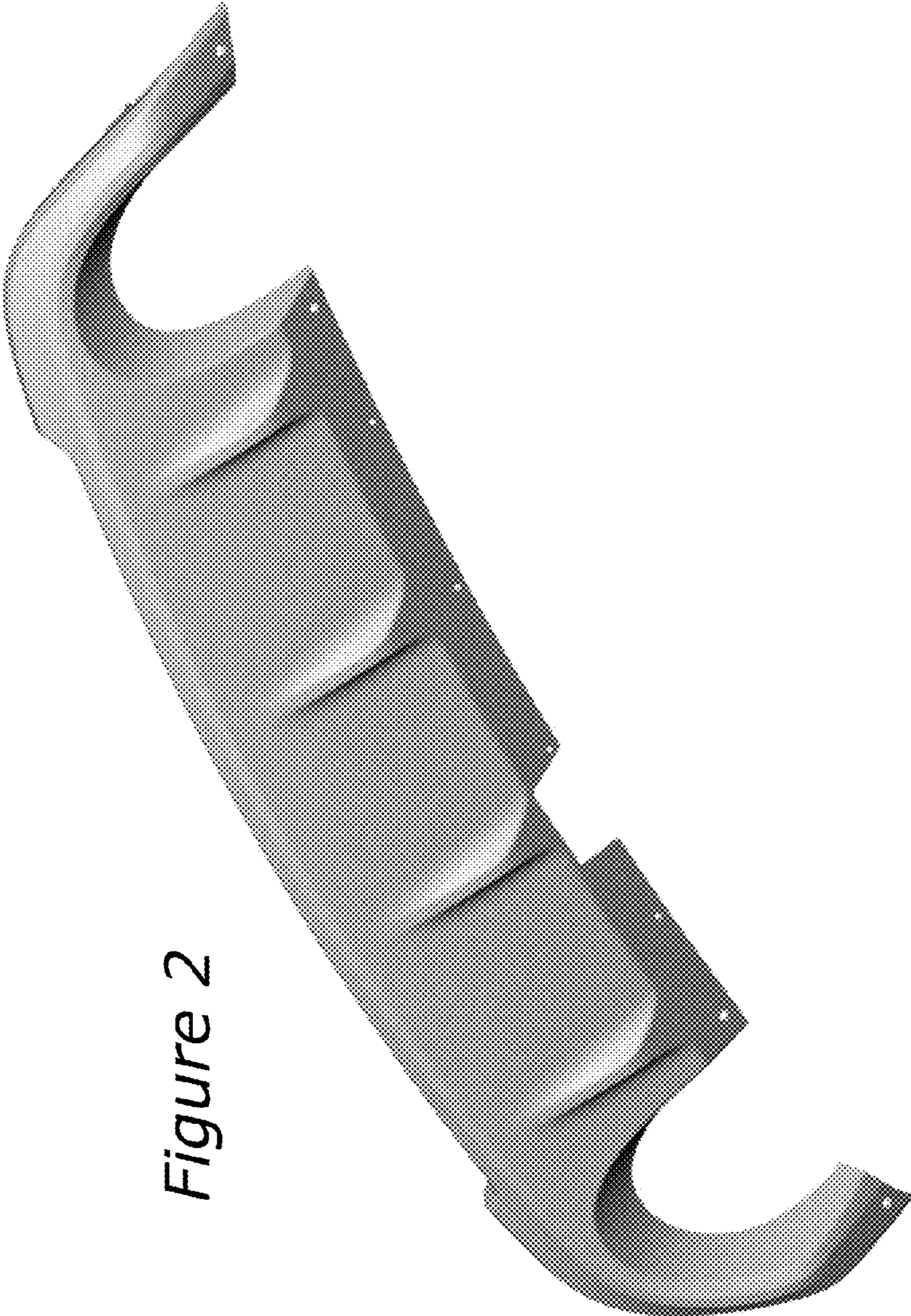


Figure 2

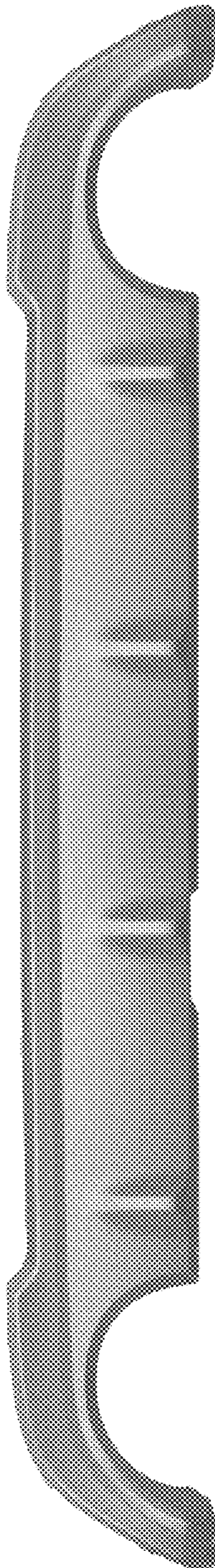
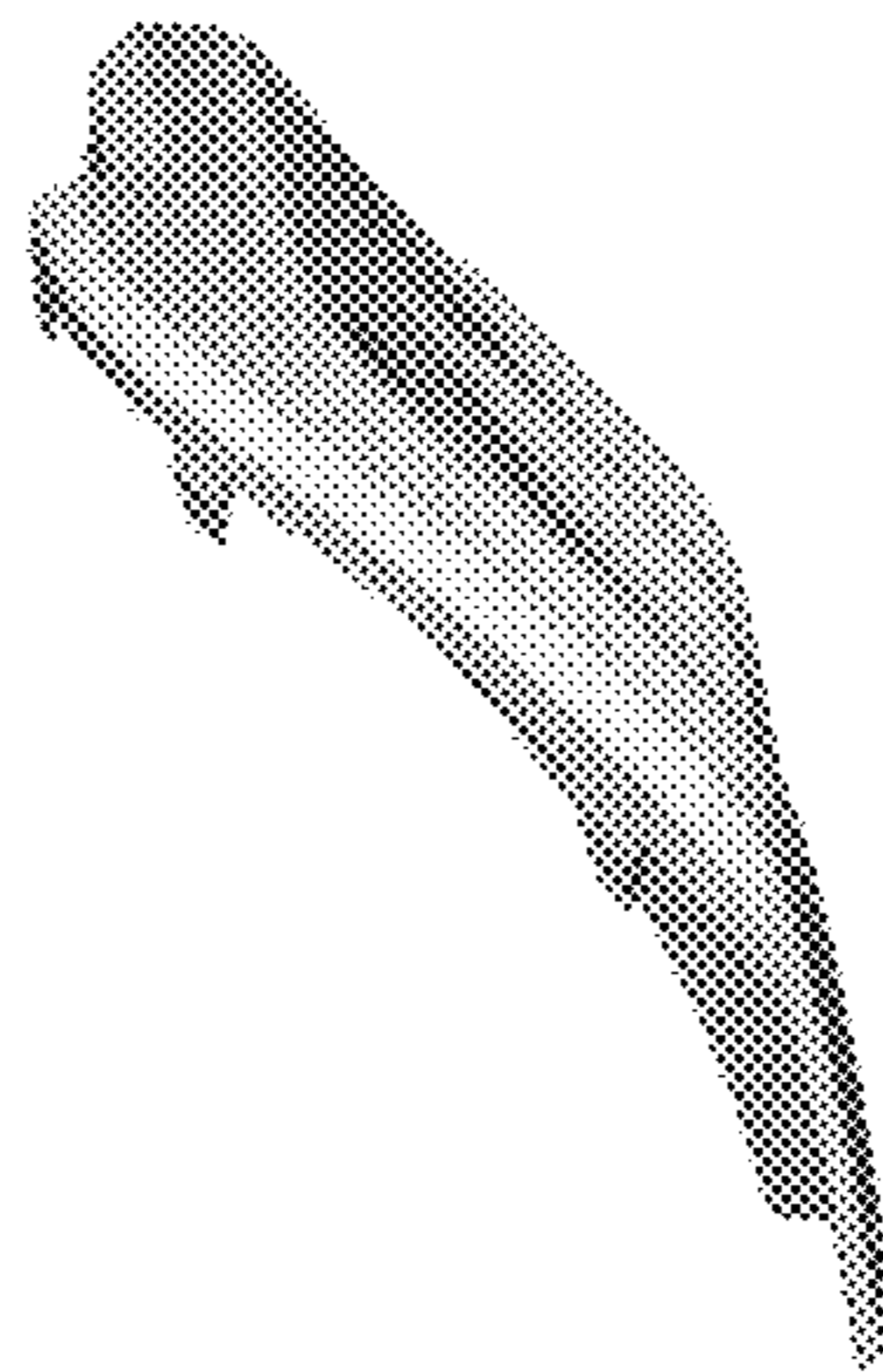


Figure 3



*Figure 4*

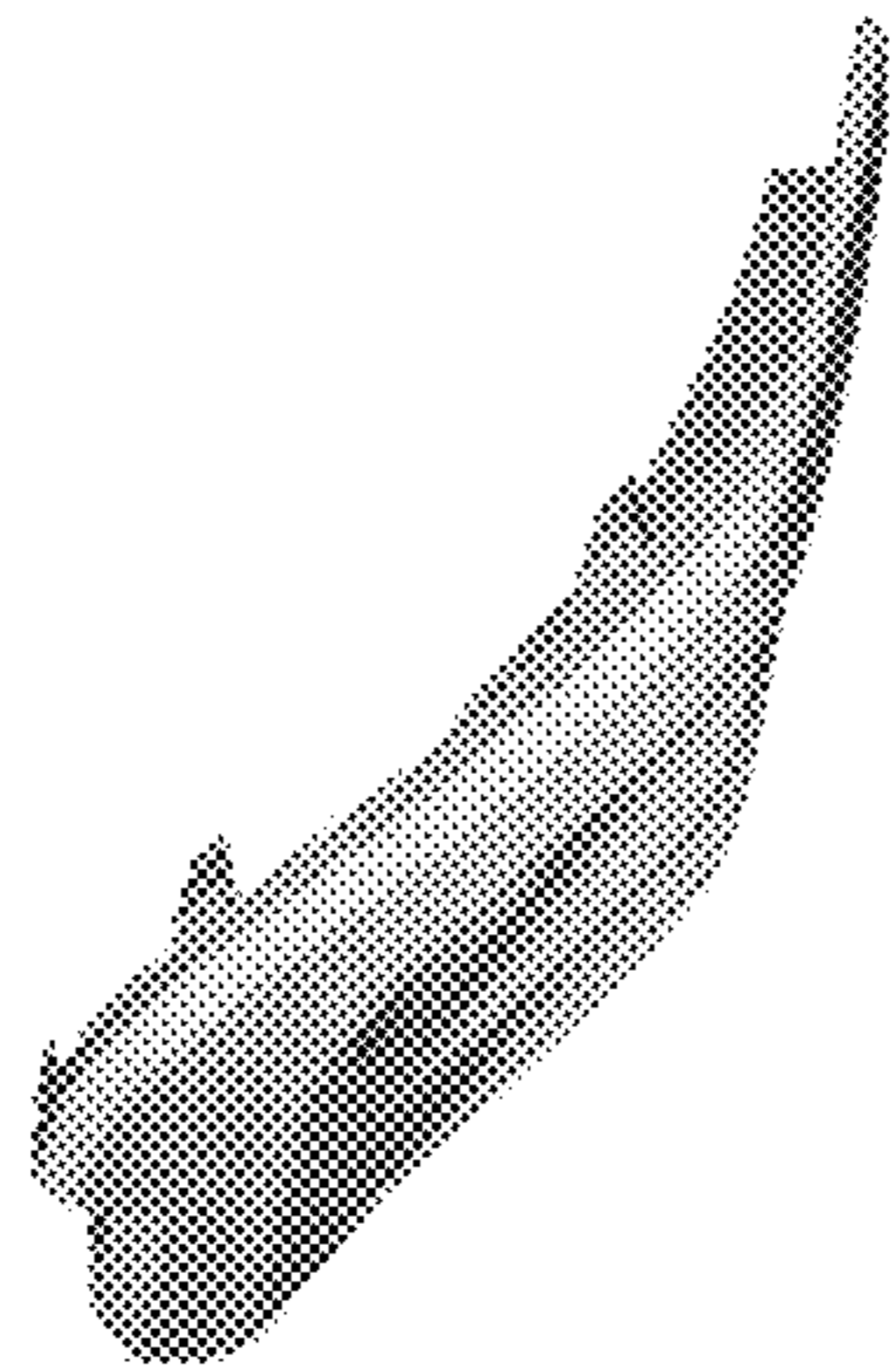


Figure 5

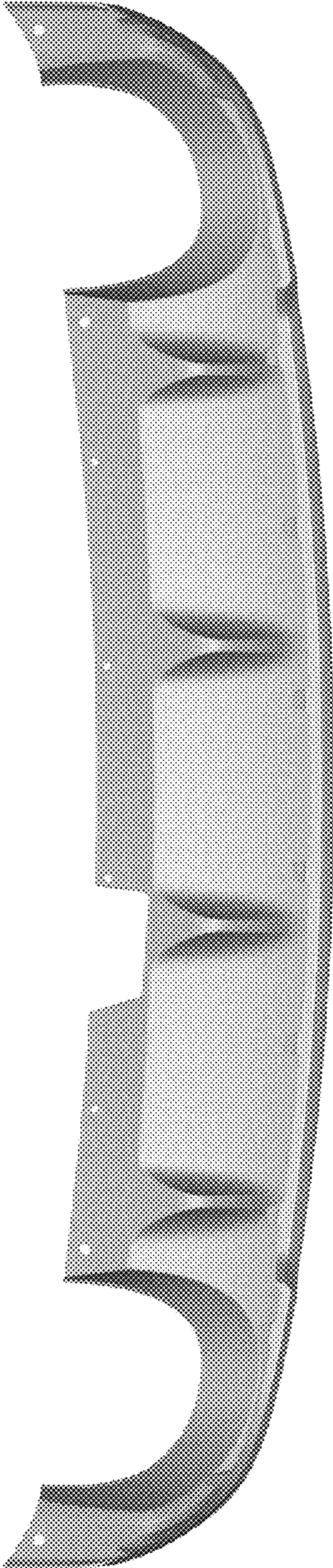


Figure 6

Figure 7

