



US00D738266S

(12) **United States Design Patent**
Low

(10) **Patent No.:** **US D738,266 S**
(45) **Date of Patent:** **** Sep. 8, 2015**

(54) **BABY WALKER HELMET**

(71) Applicant: **Low Sport, LLC**, Rye Brook, NY (US)

(72) Inventor: **Gary Marshall Low**, Rye Brook, NY (US)

(73) Assignee: **LOWSPORT, LLC**, Rye Brook, NY (US)

(**) Term: **14 Years**

(21) Appl. No.: **29/481,016**

(22) Filed: **Jan. 31, 2014**

(51) **LOC (10) Cl.** **12-12**

(52) **U.S. Cl.**
USPC **D12/130**

(58) **Field of Classification Search**
USPC D21/419, 424, 426, 433, 533, 548, 562;
D12/128, 129, 130, 133; 280/7.1,
280/87.041, 87.05, 87.051; 297/5; 285/66,
285/67, 68, 69
CPC ... A47D 13/043; A47D 13/107; A47D 13/04;
A47D 13/005; A47D 3/00

See application file for complete search history.

(56) **References Cited**

U.S. PATENT DOCUMENTS

D400,129 S *	10/1998	Udelhoven	D12/130
D475,659 S *	6/2003	Diaz	D12/129
6,877,763 B2 *	4/2005	Ulrich	280/649
D556,097 S *	11/2007	Quinn	D12/129
D571,691 S *	6/2008	Quinn	D12/129

* cited by examiner

Primary Examiner — Susan Bennett Hattan

Assistant Examiner — Charles Hanson

(74) *Attorney, Agent, or Firm* — Epstein Drangel LLP;
Robert L. Epstein

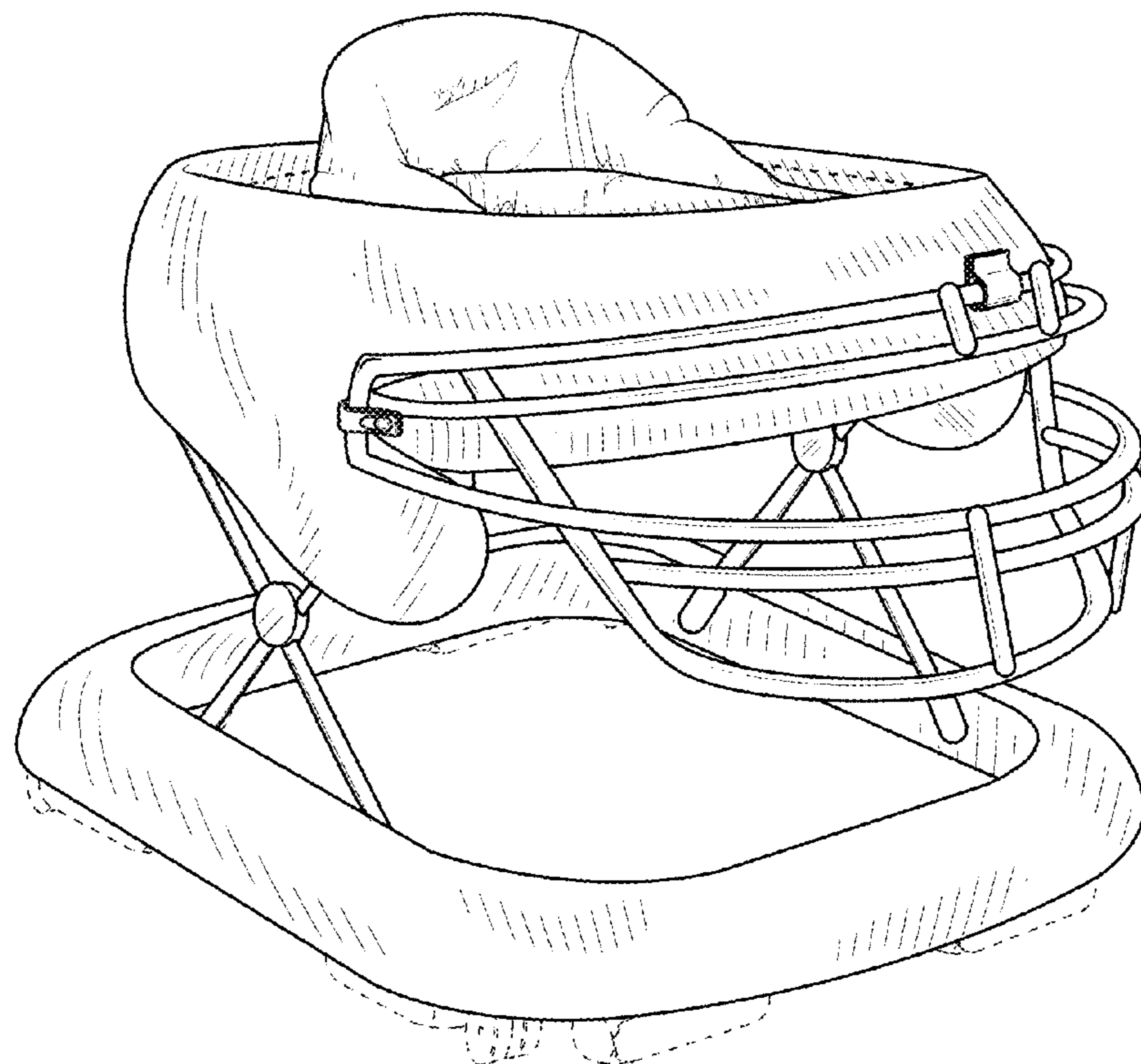
(57) **CLAIM**

The ornamental design for a baby walker helmet, substantially as shown and described.

DESCRIPTION

FIG. 1 is a perspective view showing the front, top and one side of my design;
FIG. 2 is a plan view showing the front of my design;
FIG. 3 is a plan view showing the back of my design;
FIG. 4 is a plan view showing the right side of my design, the left side being a mirror image thereof;
FIG. 5 is a plan view showing the top of my design; and,
FIG. 6 is a plan view showing the bottom of my design.
The broken lines shown are included for the purpose of illustrating environment and form no part of the claimed design.

1 Claim, 4 Drawing Sheets



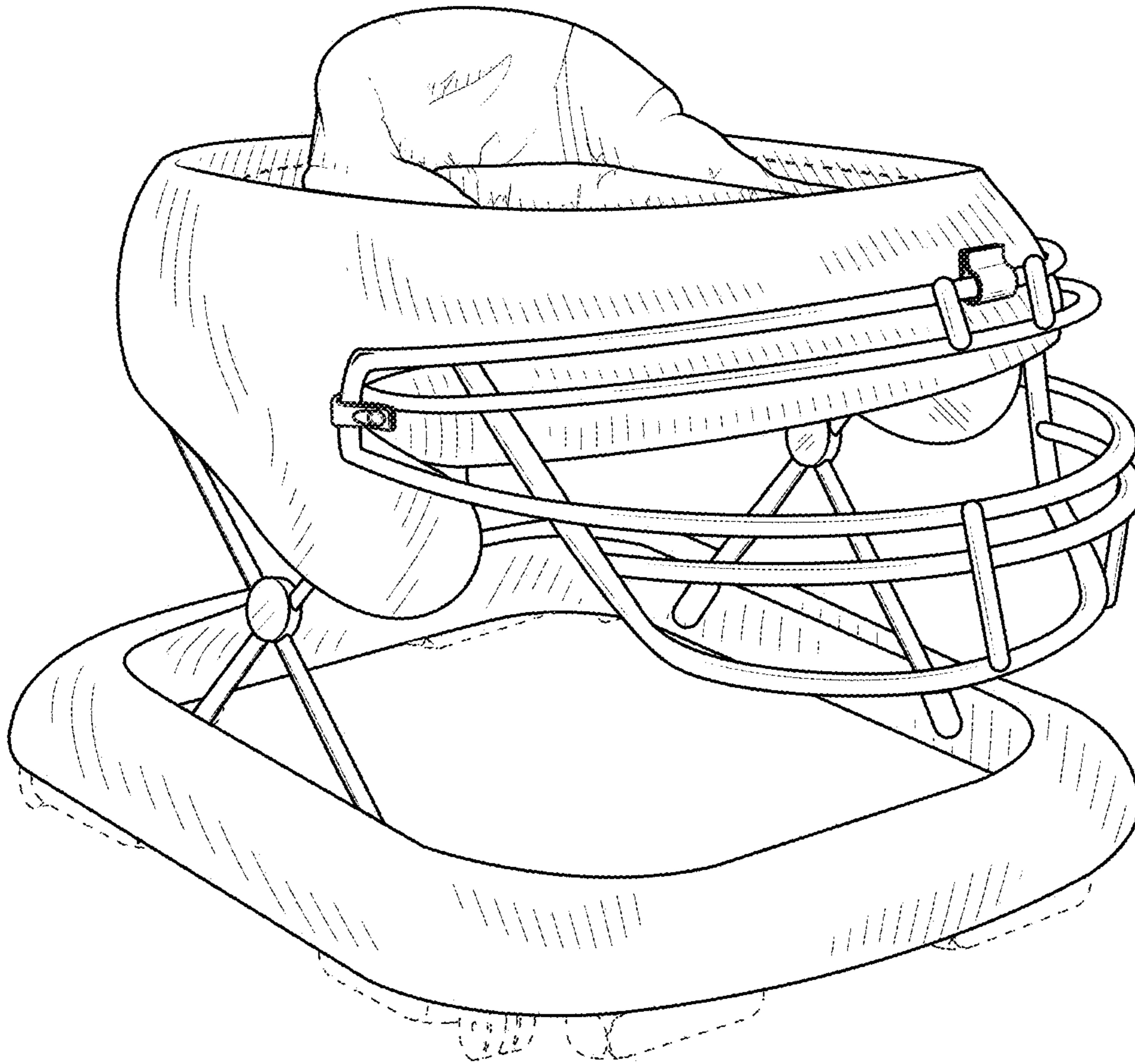


FIG. 1

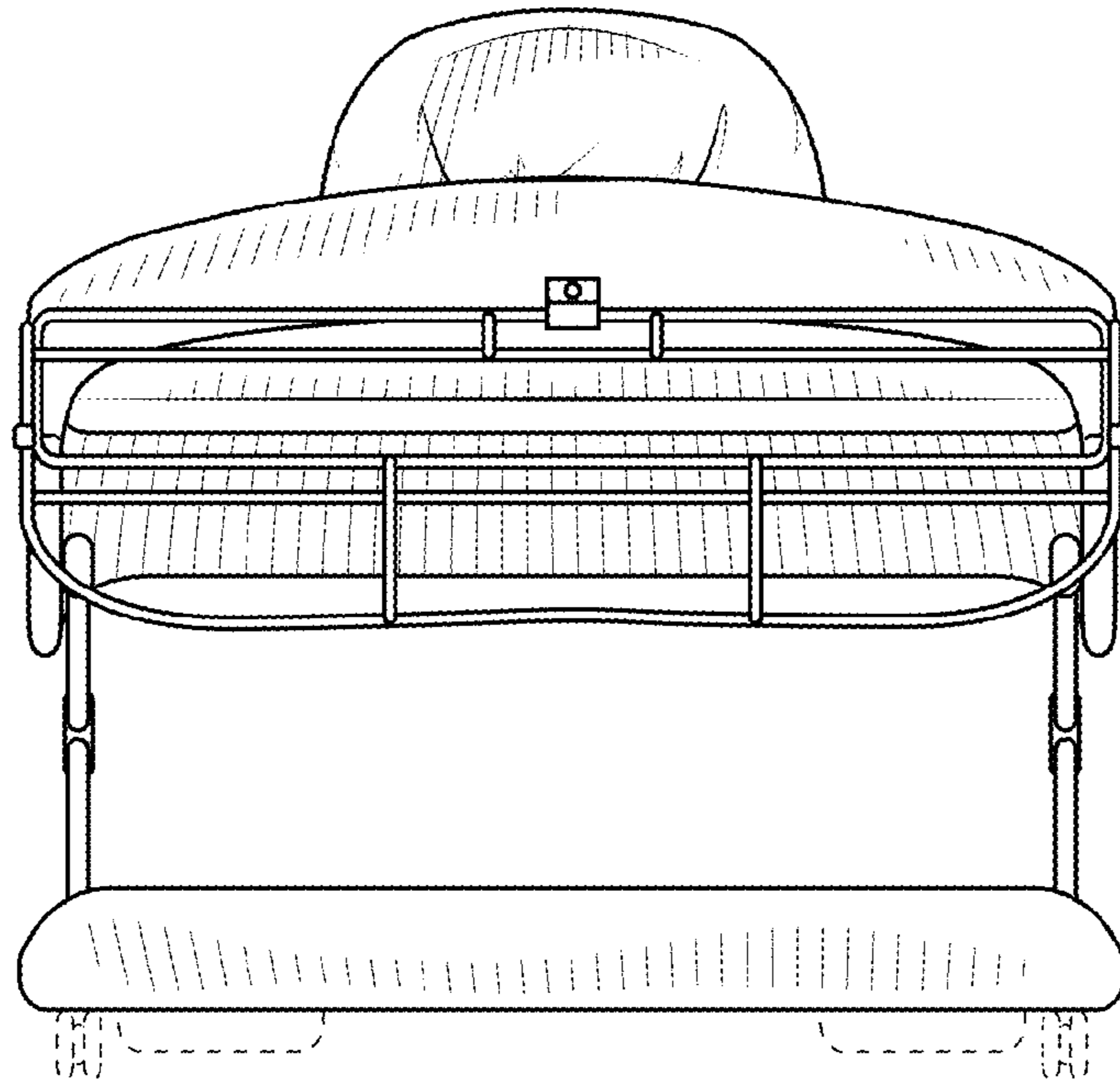


FIG. 2

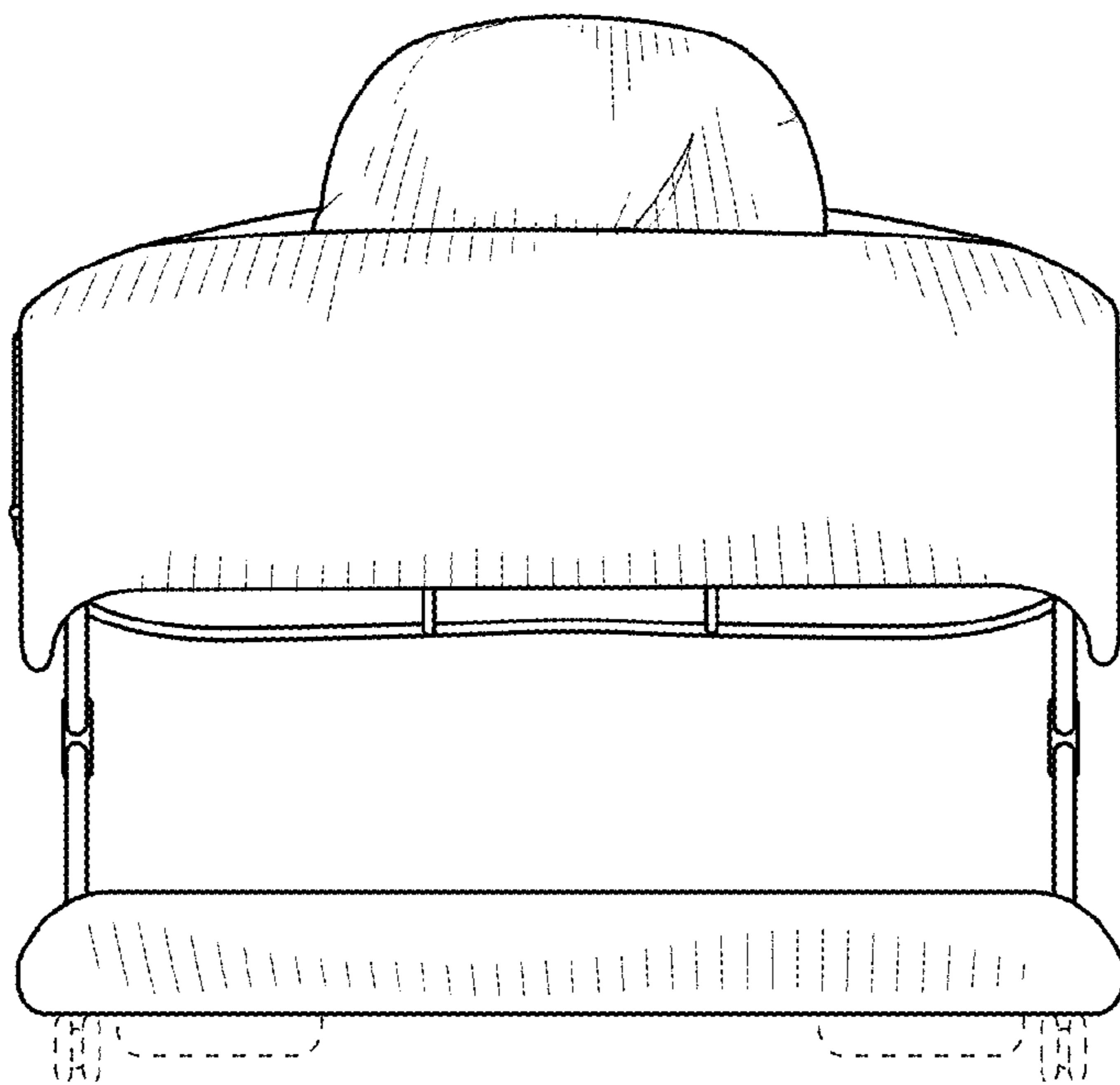


FIG. 3

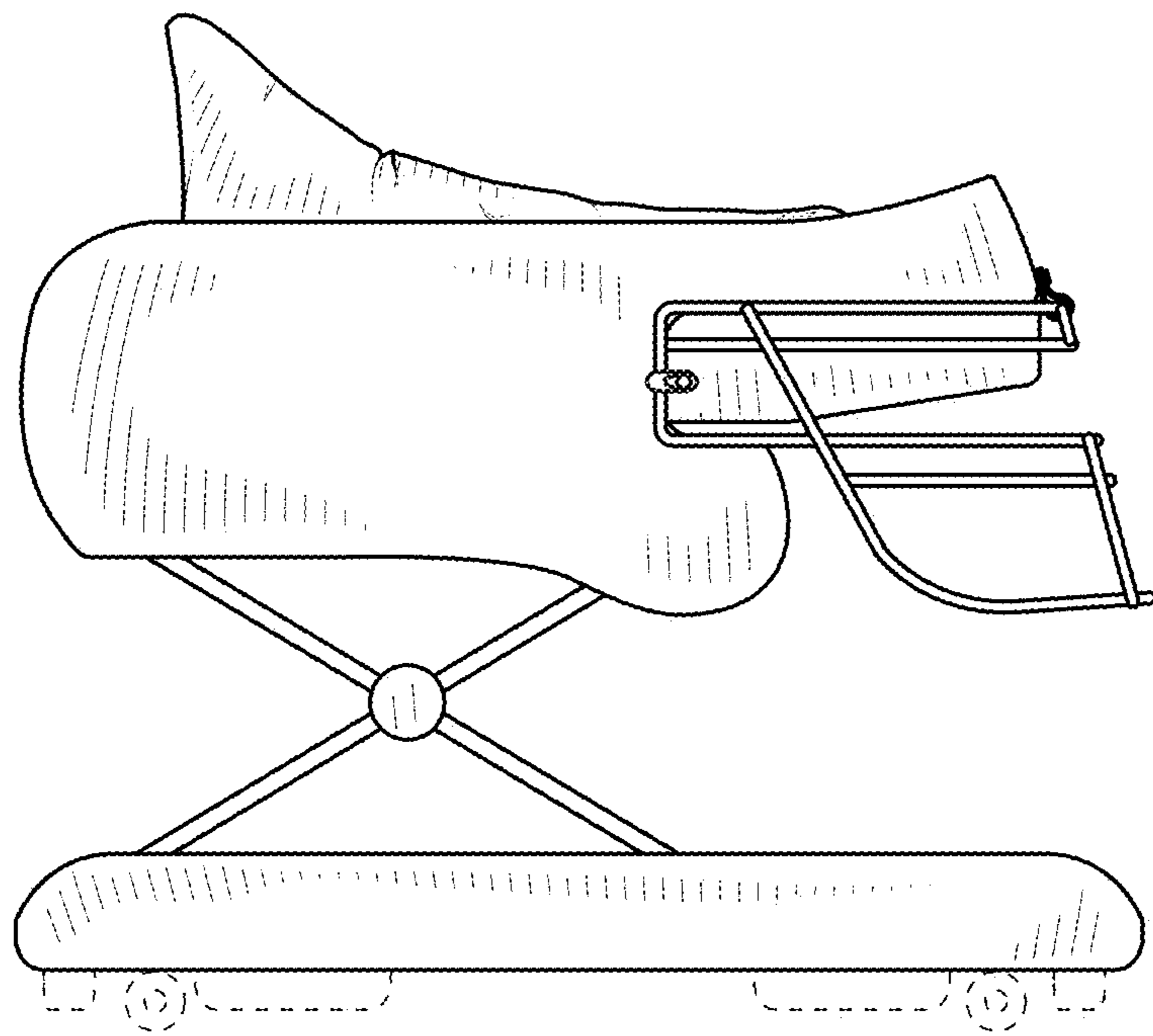


FIG. 4

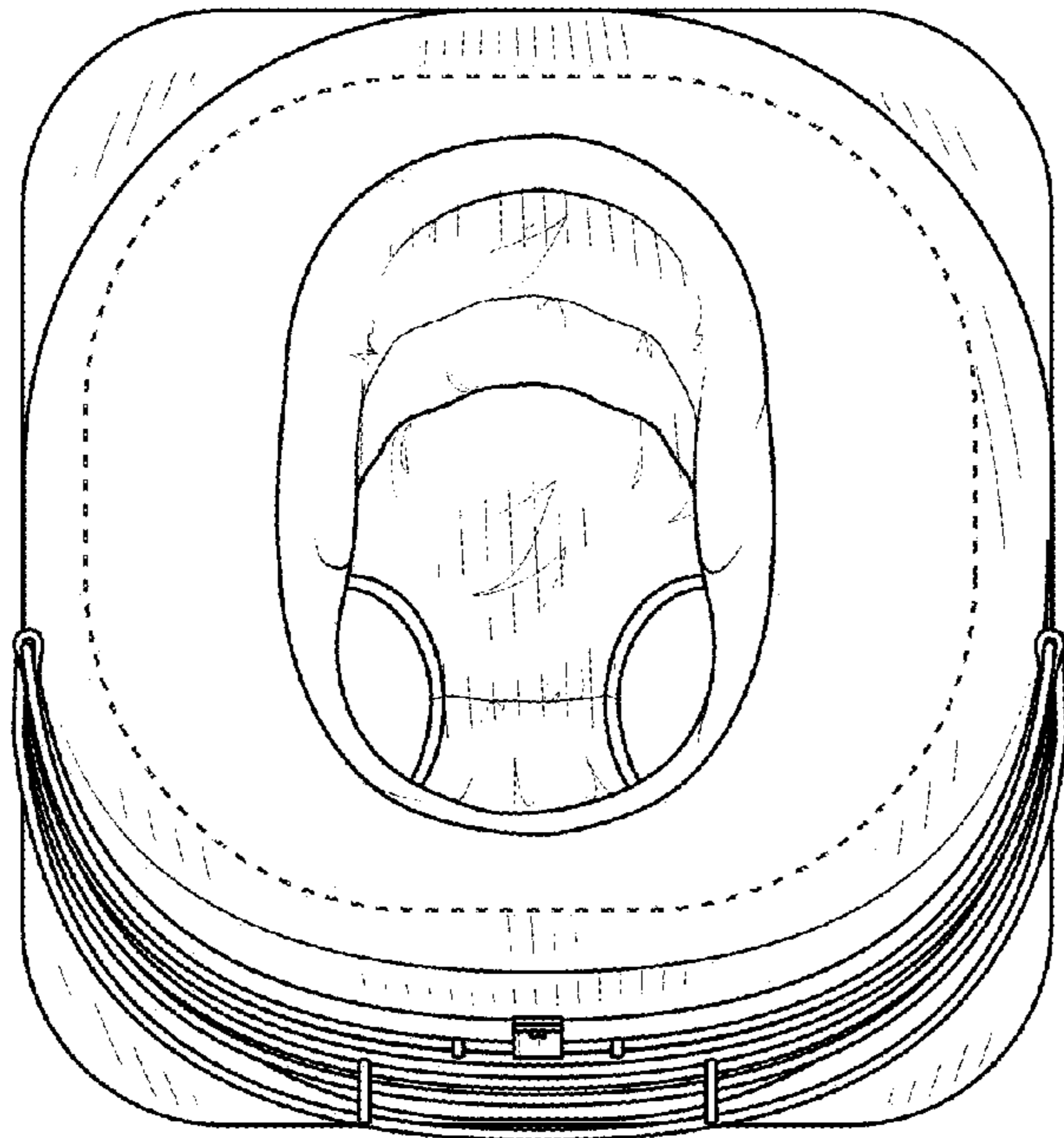


FIG. 5

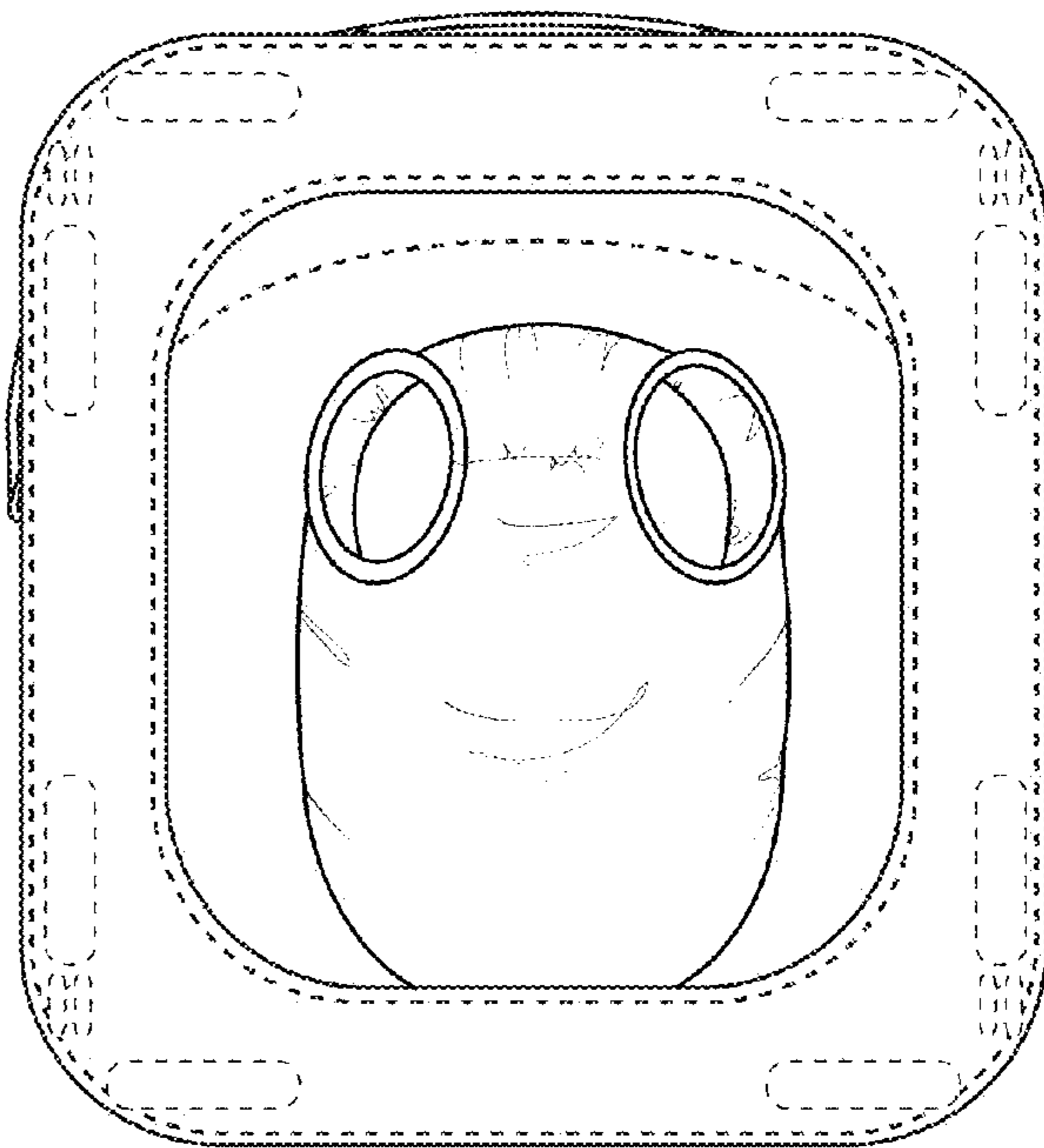


FIG. 6