



US00D738264S

(12) **United States Design Patent**
Williams

(10) **Patent No.:** **US D738,264 S**
(45) **Date of Patent:** **** Sep. 8, 2015**

(54) **V BICYCLE STAND**

(71) Applicant: **Marty Williams**, Colorado Springs, CO
(US)

(72) Inventor: **Marty Williams**, Colorado Springs, CO
(US)

(**) Term: **14 Years**

(21) Appl. No.: **29/471,955**

(22) Filed: **Nov. 6, 2013**

(51) **LOC (10) Cl.** **12-11**

(52) **U.S. Cl.**
USPC **D12/115**

(58) **Field of Classification Search**
USPC D12/408, 407, 406, 414.1, 420, 115;
224/403, 520, 532, 324, 501, 518, 533,
224/492, 493, 495, 500, 924, 497, 502, 510,
224/321, 329, 503, 523, 537, 513, 519, 314,
224/318, 325, 326, 509, 315, 319, 309, 514,
224/499, 516, 571, 572, 504, 323, 322;
24/68 CD, 301; 211/20, 17, 4, 22, 5, 21,
211/198, 200; 248/164; 362/549; D8/356;
D6/716.3; 16/324, 329; 340/432, 5.9,
340/543, 568.1; 194/205, 247, 902;
235/381, 382; 70/233, 57, 235

See application file for complete search history.

(56) **References Cited**

U.S. PATENT DOCUMENTS

1,440,471 A * 1/1923 Kohler 248/434
5,320,227 A * 6/1994 Minoura 211/22
5,385,246 A * 1/1995 Grossnickle 211/22

5,588,574 A * 12/1996 Schmidt 224/520
5,913,432 A * 6/1999 Ahrens 211/85.7
5,950,892 A * 9/1999 Tsai 224/520
D434,362 S * 11/2000 McCoy et al. D12/406
D436,074 S * 1/2001 McCoy et al. D12/407
D477,718 S * 7/2003 Vail D6/335
7,932,451 B2 * 4/2011 Workman et al. 84/327
8,367,919 B2 * 2/2013 Belitz et al. 84/453
2004/0256430 A1 * 12/2004 Wang 224/520
2005/0205629 A1 * 9/2005 Wang 224/519
2007/0012634 A1 * 1/2007 Huang 211/17
2008/0135697 A1 * 6/2008 Workman et al. 248/177.1

* cited by examiner

Primary Examiner — Robert M Spear

Assistant Examiner — Ryan Harvey

(74) *Attorney, Agent, or Firm* — Tracy M Heims; Apex Juris, Pllc

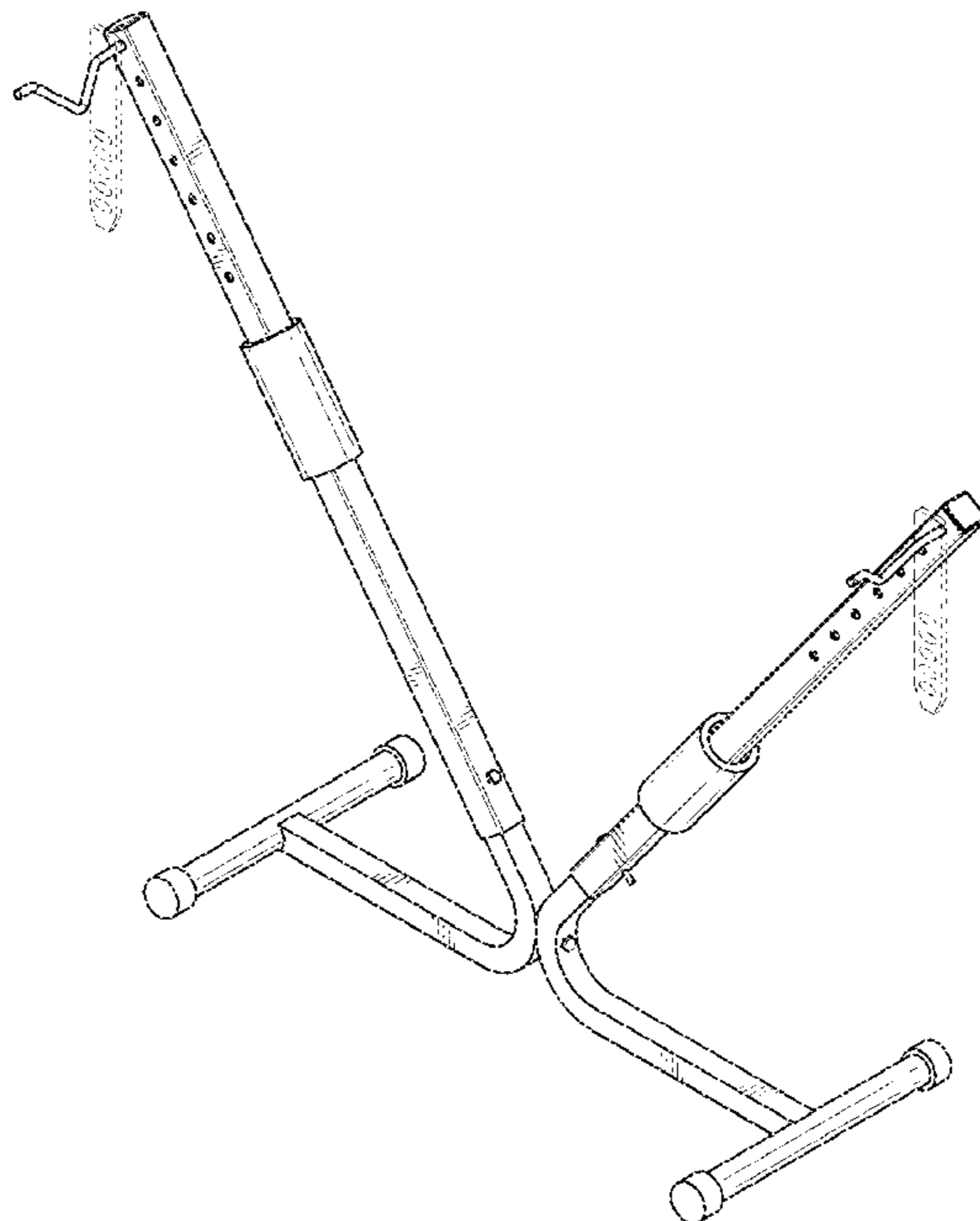
(57) **CLAIM**

The ornamental design for a V bicycle stand, as shown and described.

DESCRIPTION

FIG. 1 is a perspective view of a V bicycle stand.
FIG. 2 is a front elevation view of FIG. 1 shown in use.
FIG. 3 is a front elevation view of FIG. 1.
FIG. 4 is a rear elevation view of FIG. 1.
FIG. 5 is a right side elevation view of FIG. 1.
FIG. 6 is a top plan view of FIG. 1; and,
FIG. 7 is a bottom plan view of FIG. 1.
The broken lines illustrate portions of the article that form no part of the claimed design.

1 Claim, 6 Drawing Sheets



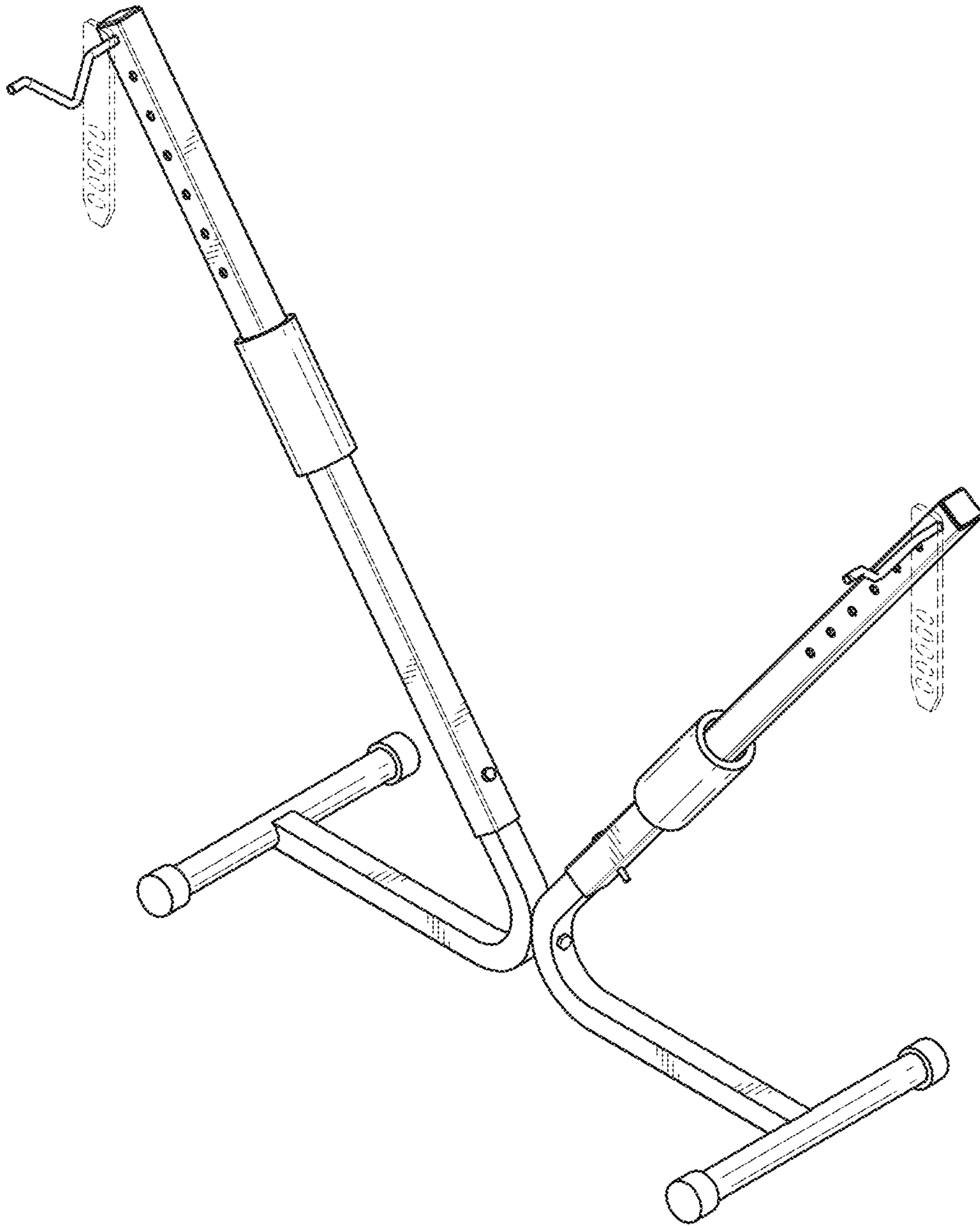


FIG. 1

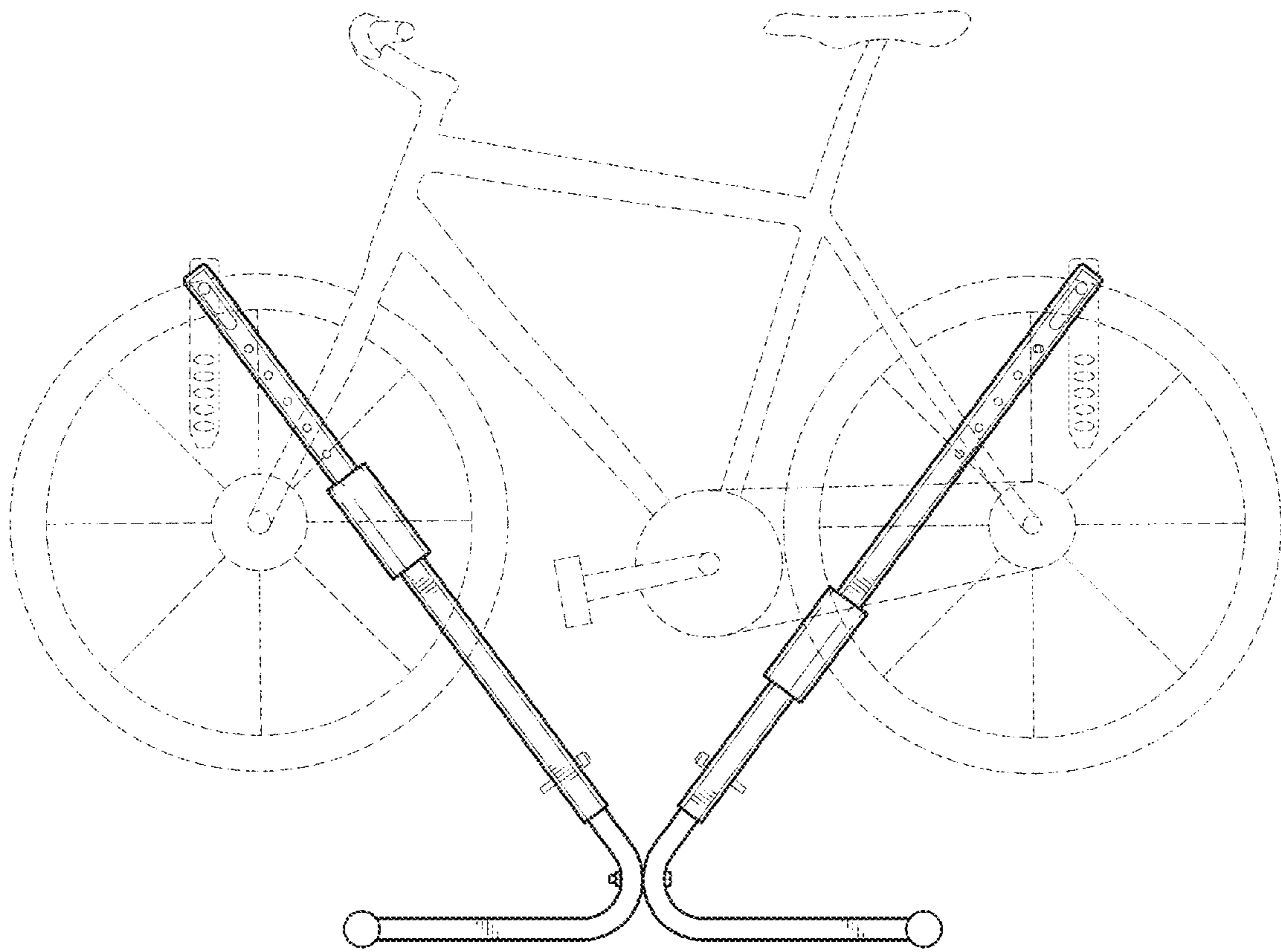


FIG. 2

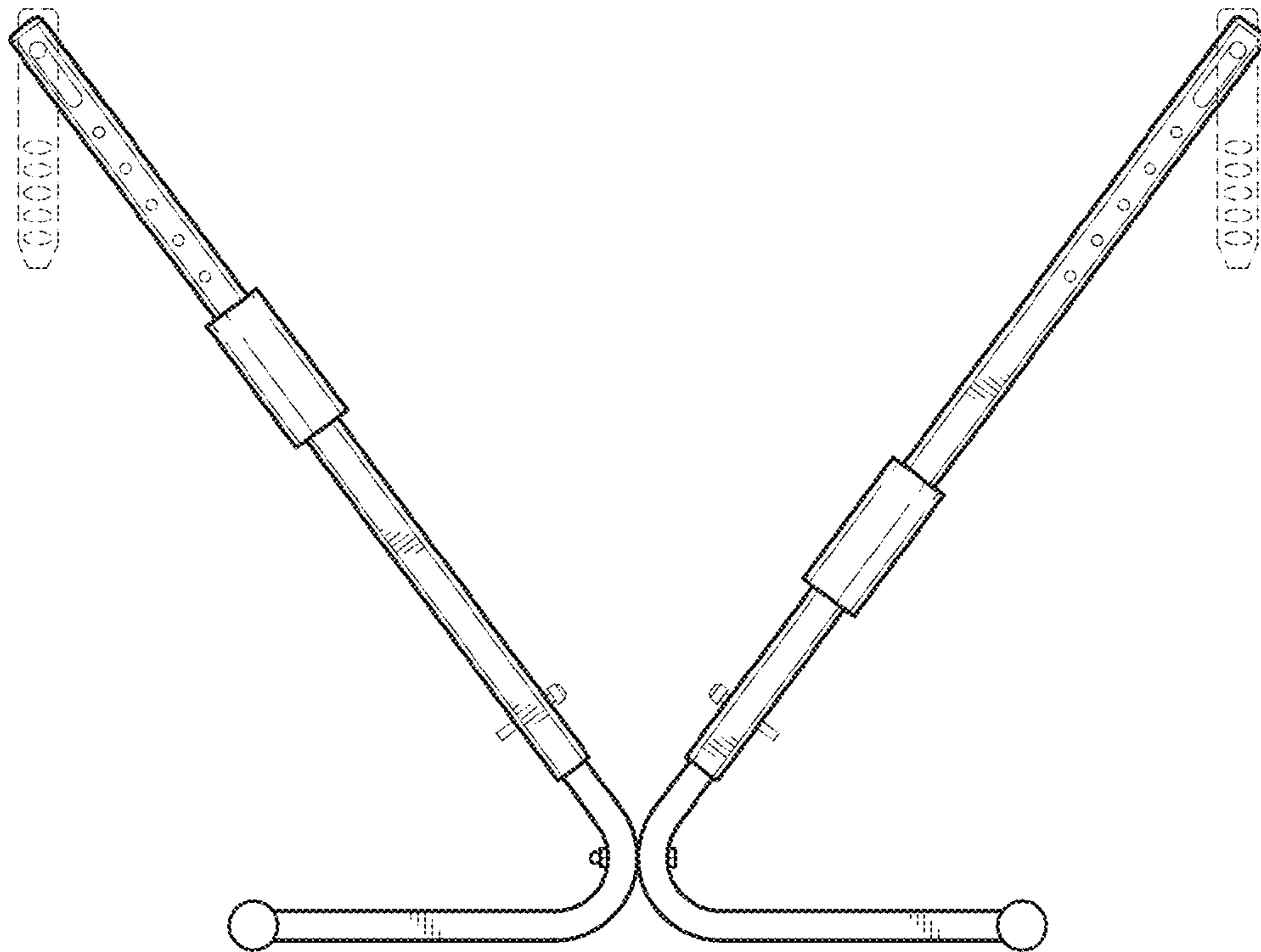


FIG. 3

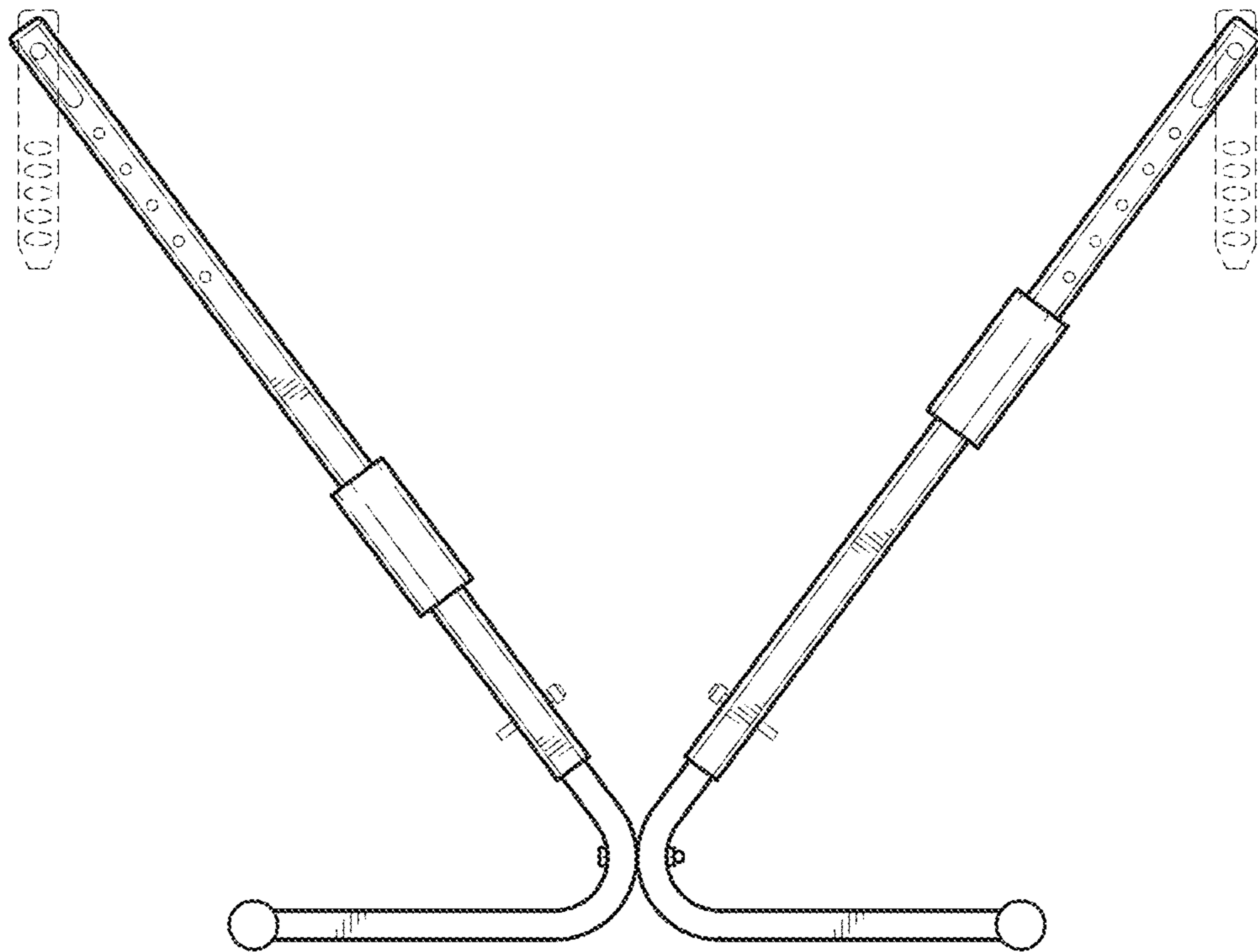


FIG. 4

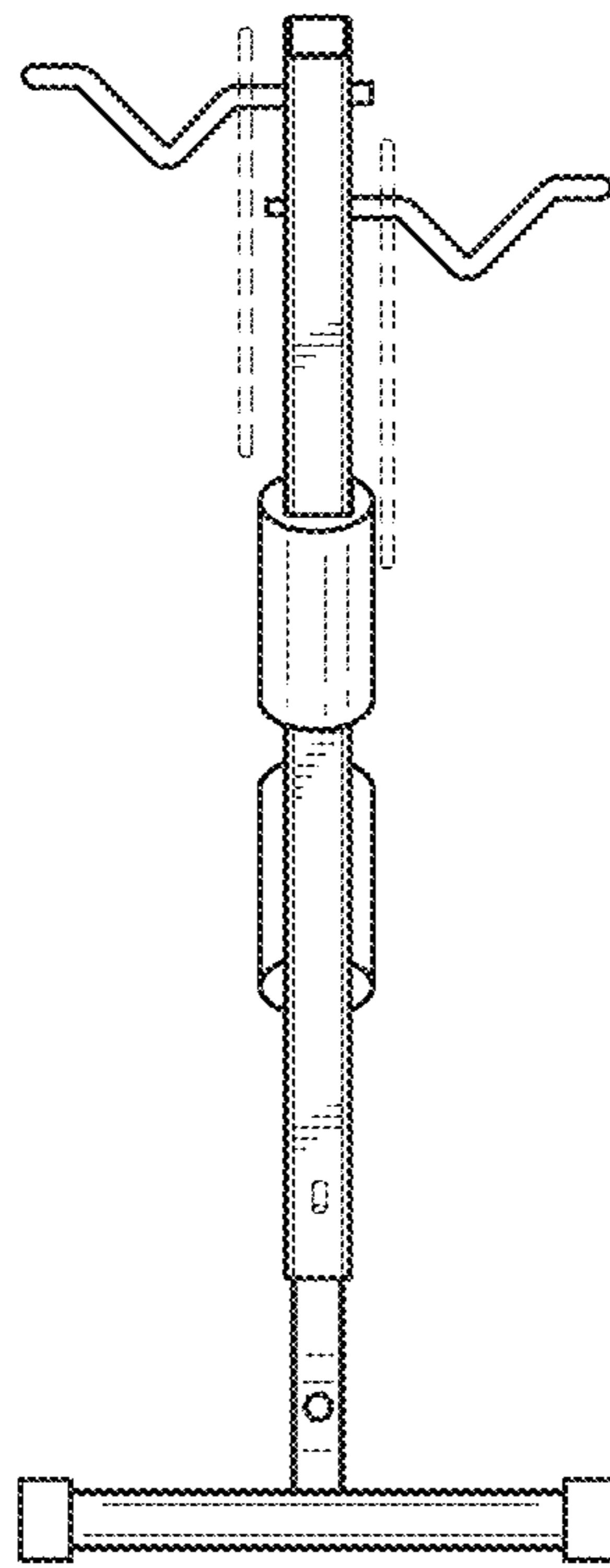


FIG. 5

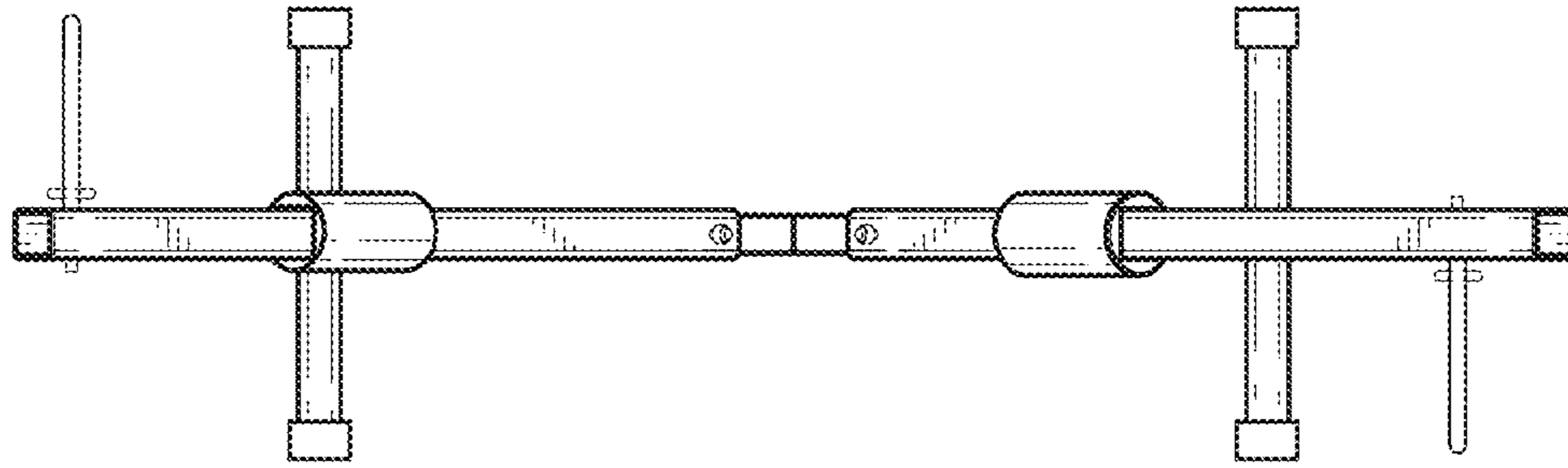


FIG. 6

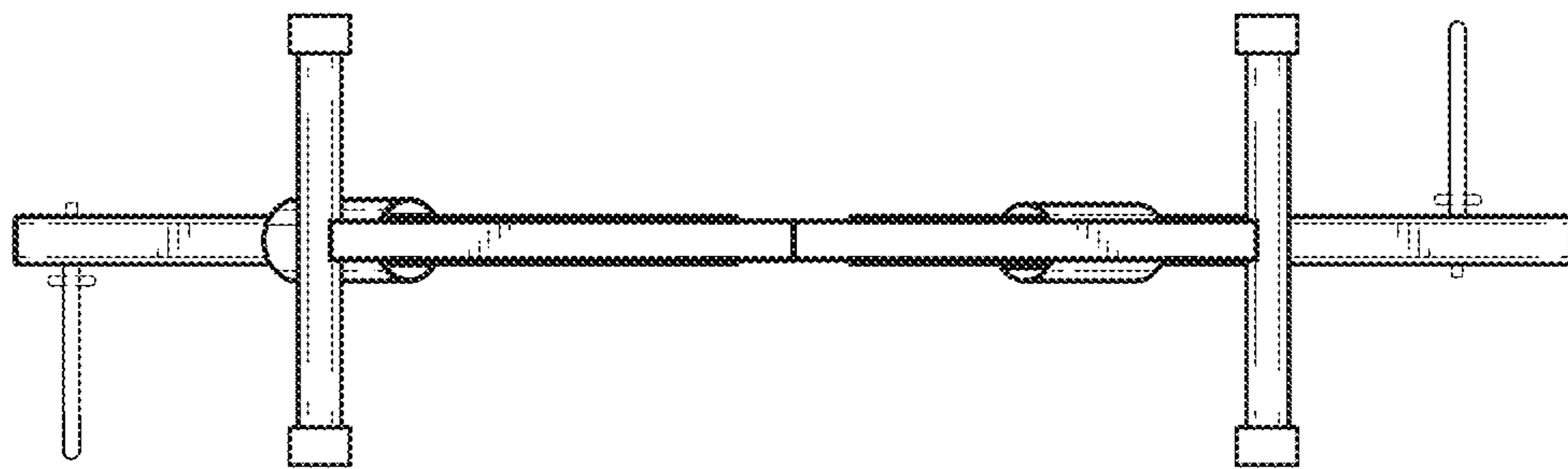


FIG. 7