



US00D738261S

(12) **United States Design Patent**  
**Silva**

(10) **Patent No.:** **US D738,261 S**  
(45) **Date of Patent:** **\*\* Sep. 8, 2015**

- (54) **BICYCLE FRAME**
- (71) Applicant: **Taichung Trading, LLC**, El Segundo, CA (US)
- (72) Inventor: **Gary Silva**, El Segundo, CA (US)
- (73) Assignee: **Taichung Trading, LLC**, El Segundo, CA (US)
- (\*\*) Term: **14 Years**
- (21) Appl. No.: **29/464,610**
- (22) Filed: **Aug. 19, 2013**

D239,614 S \* 4/1976 Seifert ..... D12/111  
 D343,598 S \* 1/1994 Southwell et al. .... D12/111  
 D392,602 S \* 3/1998 Silva ..... D12/111

(Continued)

**FOREIGN PATENT DOCUMENTS**

DE 202014102153 U1 \* 10/2004 ..... B62K 15/00  
 EP 1378429 A1 \* 1/2004 ..... B62K 15/00

(Continued)

**OTHER PUBLICATIONS**

“2010 Jamis Bicycles.” Product Catalog., Sep. 9, 2009 [online],  
 [retrieved on Sep. 5, 2014]. Retrieved from the Internet <URL: [http://www.jamisbikes.com/catalog\\_archive/10\\_JAMIS\\_CATALOG.pdf](http://www.jamisbikes.com/catalog_archive/10_JAMIS_CATALOG.pdf)>.\*

(Continued)

**Related U.S. Application Data**

- (63) Continuation of application No. 29/416,607, filed on Mar. 23, 2012, now Pat. No. Des. 688,599.
- (51) **LOC (10) Cl.** ..... **12-11**
- (52) **U.S. Cl.**  
USPC ..... **D12/111**
- (58) **Field of Classification Search**  
USPC ..... D12/111, 117; 280/274–280, 281.1, 280/283–288, 288.1–288.4  
CPC ..... B62K 3/00; B62K 3/005; B62K 9/00; B62K 19/00; B62K 19/02; B62K 19/04; B62K 19/06; B62K 19/16  
See application file for complete search history.

*Primary Examiner* — Philip S Hyder

*Assistant Examiner* — Darlington Ly

(74) *Attorney, Agent, or Firm* — Knobbe, Martens, Olson & Bear, LLP

(57) **CLAIM**

The ornamental designs for a bicycle frame, as shown and described.

**DESCRIPTION**

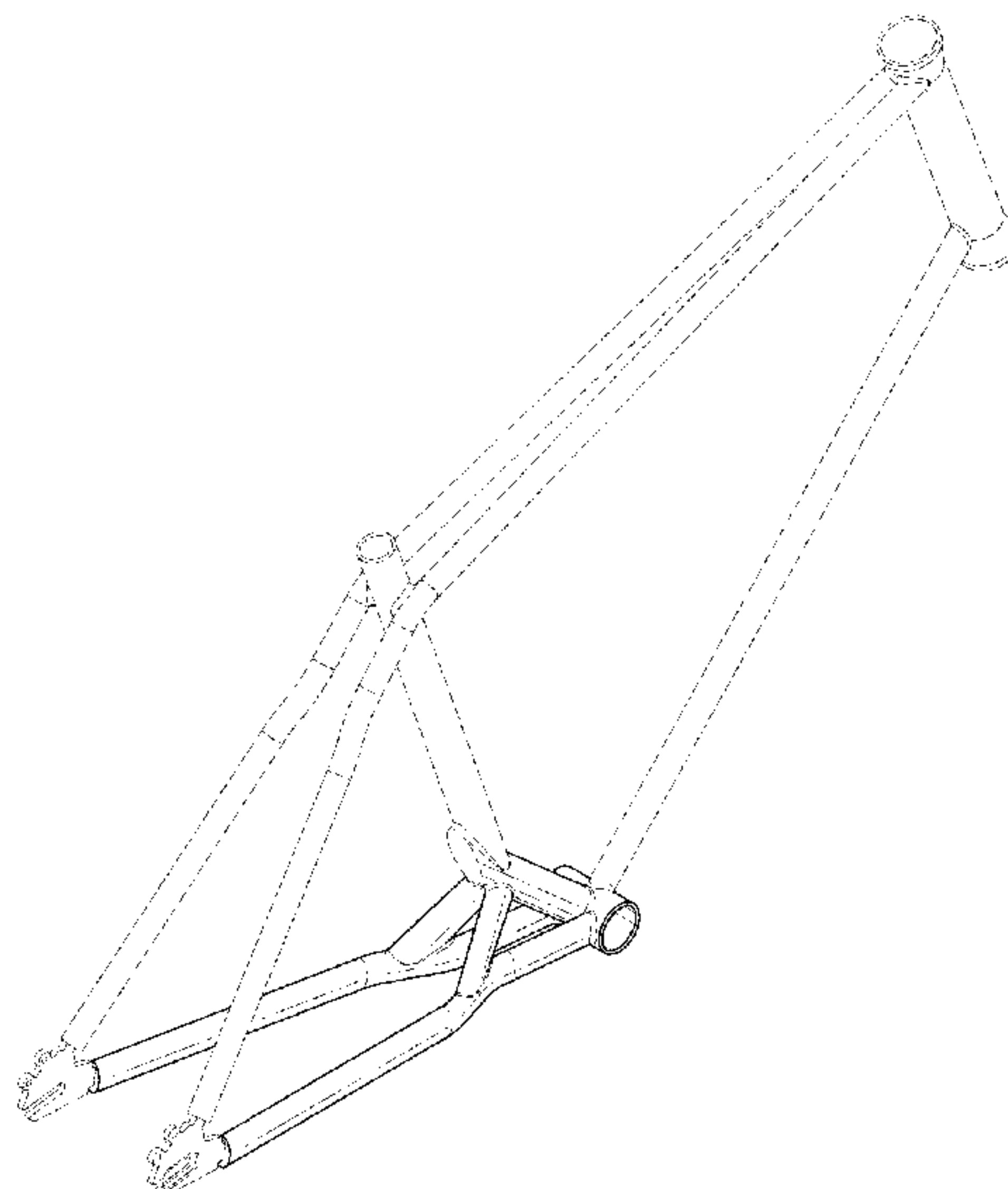
FIG. 1 is a front and right-side perspective showing a bicycle frame that embodies the design;  
 FIG. 2 is a rear and right-side perspective view thereof;  
 FIG. 3 is a right-side elevation view thereof, wherein the left-side elevation view is a mirror image thereof;  
 FIG. 4 is a front elevation view thereof;  
 FIG. 5 is a rear elevation view thereof;  
 FIG. 6 is a top plan view thereof; and,  
 FIG. 7 is a bottom plan view thereof.  
 Where utilized, the broken lines show portions of the bicycle frame that form no part of the claimed design.

(56) **References Cited**

**U.S. PATENT DOCUMENTS**

D25,078 S 1/1896 Fowler  
 D26,285 S 11/1896 Graham  
 D35,391 S 12/1901 Johnson  
 2,491,379 A 12/1949 Kraeft et al.  
 2,550,941 A 5/1951 Schuricht  
 2,855,218 A \* 10/1958 Douglas et al. .... 280/281.1  
 2,855,219 A 10/1958 Douglas et al.  
 D185,575 S 6/1959 Schreckengost

**1 Claim, 5 Drawing Sheets**



(56)

References Cited

U.S. PATENT DOCUMENTS

6,375,210 B1 \* 4/2002 Lam ..... 280/281.1  
 D486,424 S \* 2/2004 Sagan ..... D12/111  
 6,793,230 B1 9/2004 Cheng  
 D517,452 S \* 3/2006 Hickman ..... D12/111  
 D523,380 S \* 6/2006 Auger et al. .... D12/111  
 D533,812 S \* 12/2006 Hoisington ..... D12/111  
 7,374,191 B1 \* 5/2008 Tseng ..... 280/284  
 7,390,005 B2 \* 6/2008 Lin ..... 280/274  
 7,413,208 B2 \* 8/2008 Weng ..... 280/284  
 7,740,262 B2 6/2010 Baenziger  
 D635,894 S \* 4/2011 Argote Vivar ..... D12/111  
 8,136,828 B2 3/2012 Baenziger  
 D686,950 S \* 7/2013 Lin ..... D12/111  
 D688,599 S \* 8/2013 Silva ..... D12/111  
 8,720,929 B2 \* 5/2014 D’Aluisio ..... 280/281.1  
 2007/0235976 A1 \* 10/2007 Lin ..... 280/281.1  
 2008/0238031 A1 \* 10/2008 Tseng ..... 280/284  
 2014/0054873 A1 \* 2/2014 Cocalis ..... 280/281.1

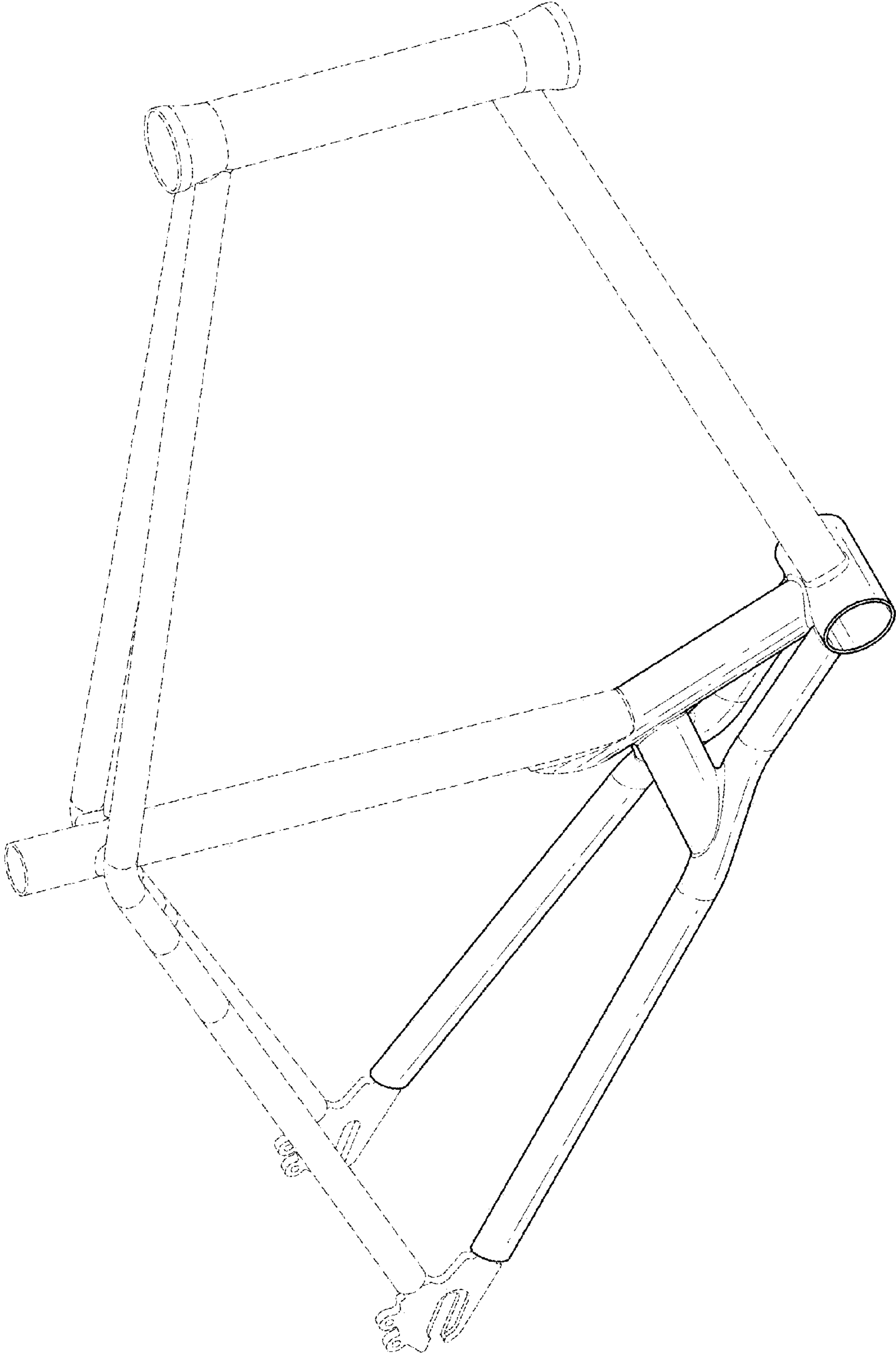
FOREIGN PATENT DOCUMENTS

GB 2502468 A \* 8/2013 ..... B62K 15/00  
 JP 2009262921 A \* 11/2009 ..... B62K 15/00

OTHER PUBLICATIONS

“Cannondale Urban Line 2007.” Product Catalog., Aug. 23, 2006  
 [online], [retrieved on Sep. 5, 2014]. Retrieved from the Internet  
 <URL: [http://vintagecannondale.com/year/2007/2007urban\\_catalog\\_E.pdf](http://vintagecannondale.com/year/2007/2007urban_catalog_E.pdf)>.\*  
 “2010 Tek Mountain Bikes.” Product Catalog., Aug. 18, 2009  
 [online], [retrieved on Sep. 5, 2014]. Retrieved from the Internet  
 <URL: <http://www.trekbikes.com/pdf/2010/catalog/mountain.pdf>>.\*

\* cited by examiner



*FIG. 1*

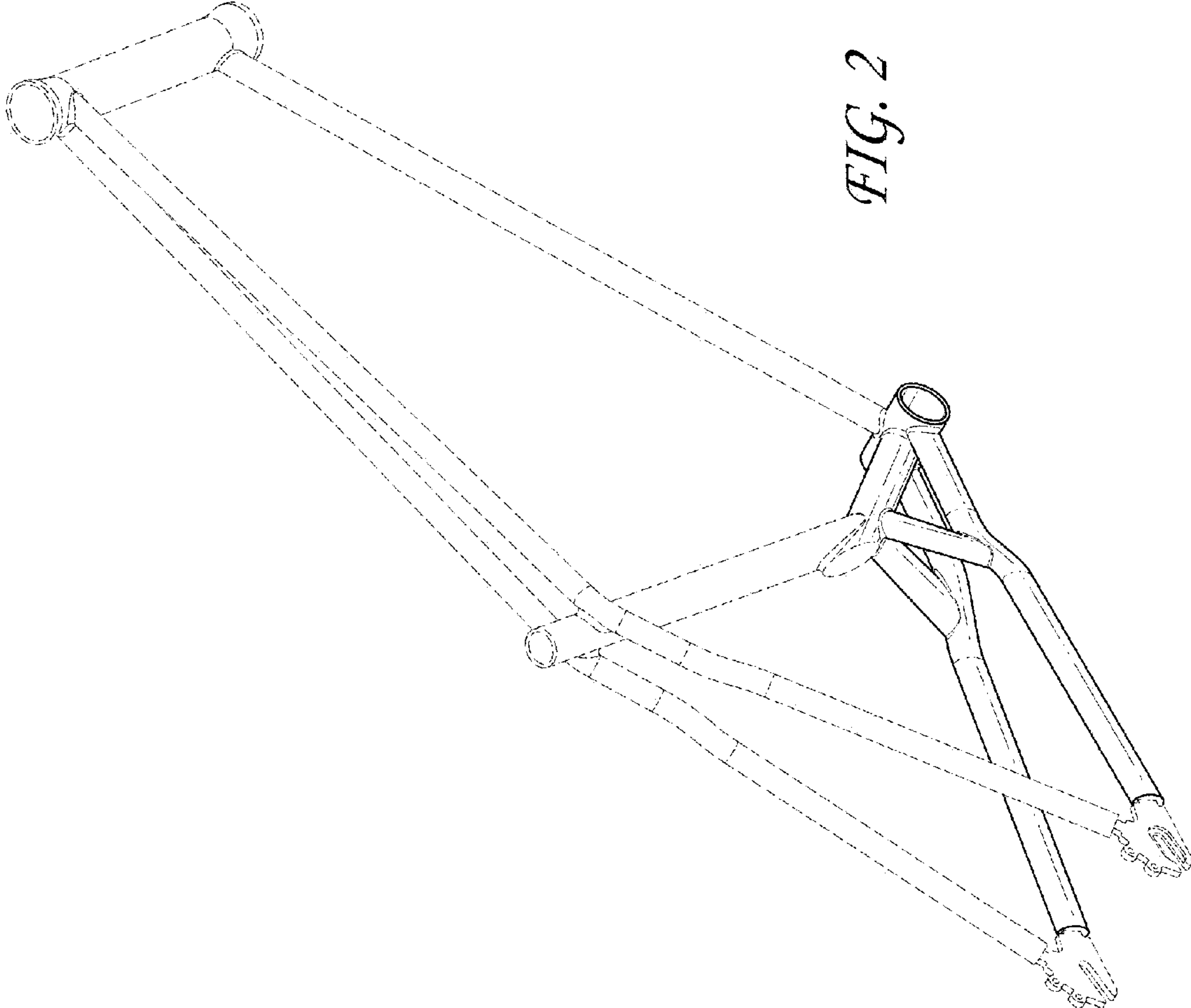


FIG. 2

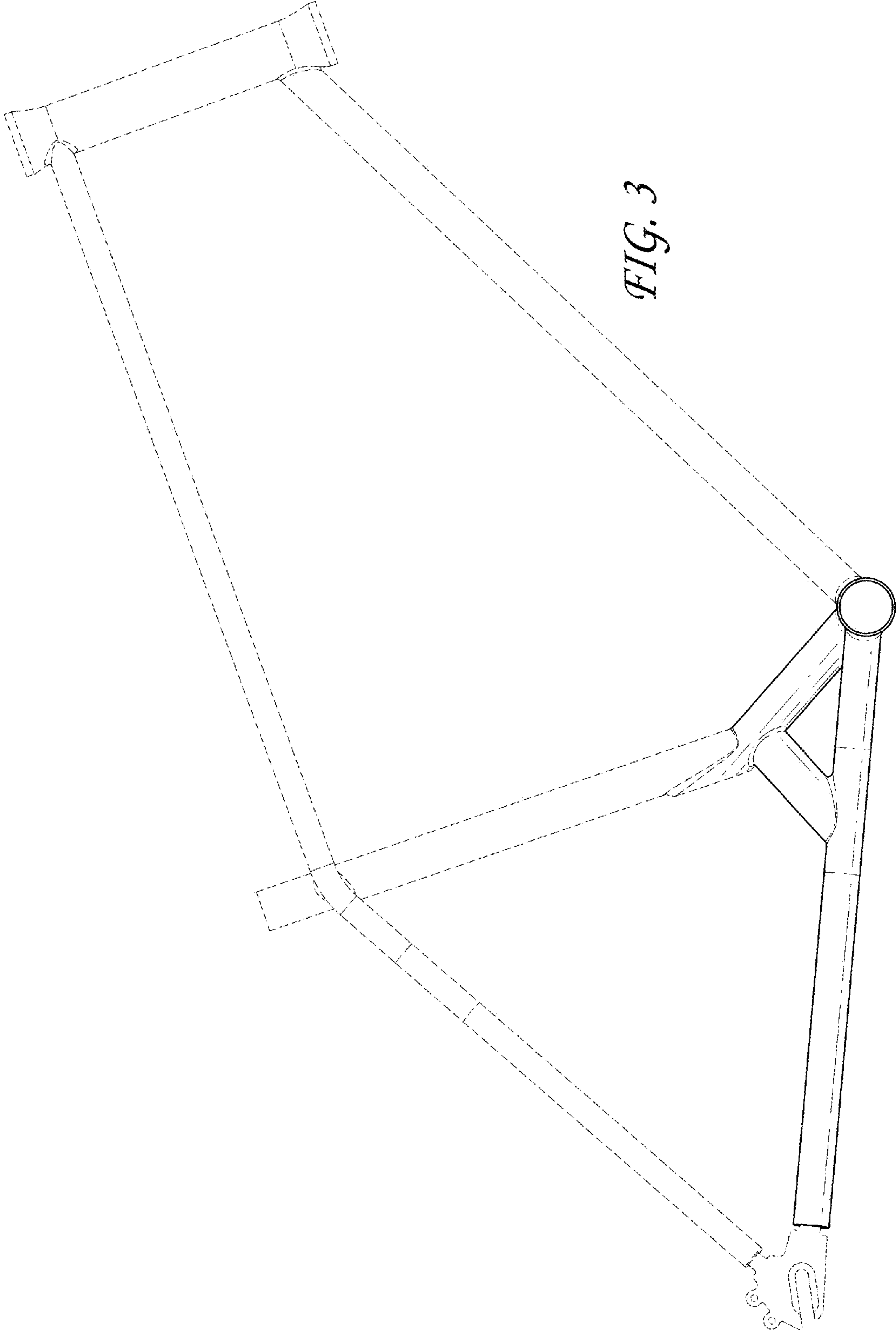


FIG. 3

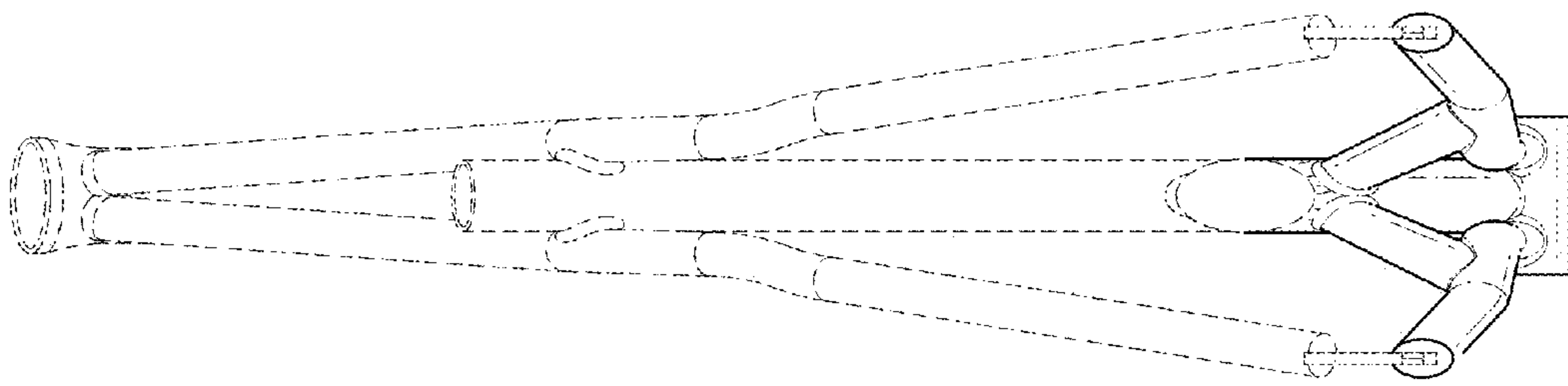


FIG. 5

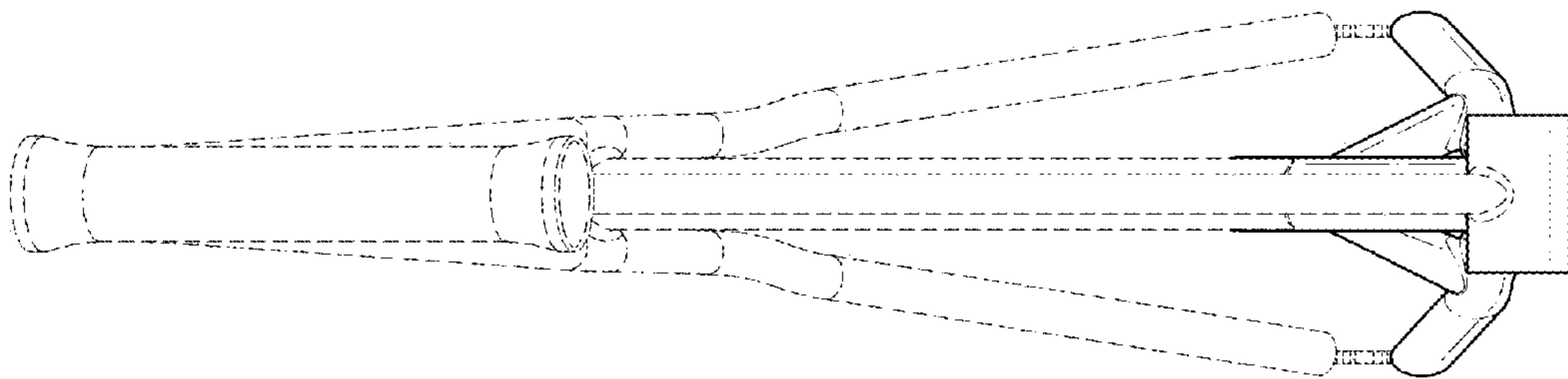
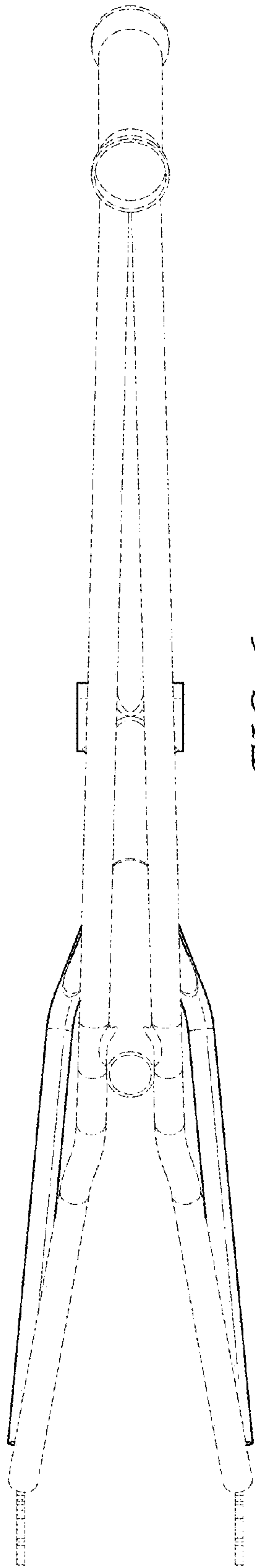
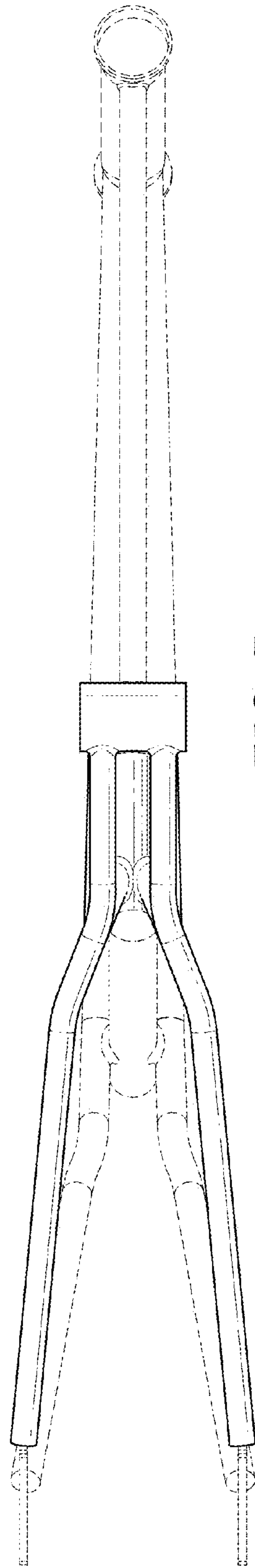


FIG. 4





*FIG. 6*



*FIG. 7*