



US00D738260S

(12) **United States Design Patent**
Akita et al.

(10) **Patent No.:** **US D738,260 S**
(45) **Date of Patent:** **** Sep. 8, 2015**

(54) **MOTORCYCLE**

(71) Applicant: **Kawasaki Jukogyo Kabushiki Kaisha,**
Hyogo (JP)

(72) Inventors: **Kohei Akita,** Akashi (JP); **Norikazu**
Matsumura, Akashi (JP)

(73) Assignee: **Kawasaki Jukogyo Kabushiki Kaisha,**
Hyogo (JP)

(**) Term: **14 Years**

(21) Appl. No.: **29/463,521**

(22) Filed: **Dec. 19, 2013**

(30) **Foreign Application Priority Data**

Jun. 27, 2013 (JP) 2013-014522

(51) **LOC (10) Cl.** **12-11**

(52) **U.S. Cl.**
USPC **D12/110**

(58) **Field of Classification Search**
USPC D12/110, 107, 182, 194, 126, 114, 117,
D12/218; D21/538, 432; D26/28;
296/193.09, 78.1, 198

CPC B62K 11/04; B62K 2202/00; B62K
2204/00; F02B 61/02; B62J 17/04
See application file for complete search history.

(56) **References Cited**

U.S. PATENT DOCUMENTS

D385,226 S * 10/1997 Mogi et al. D12/110
D387,017 S * 12/1997 Wakita et al. D12/110
D510,892 S * 10/2005 Hashimoto et al. D12/110
D513,481 S * 1/2006 Lin D12/110
D523,783 S * 6/2006 Sugimoto D12/110
D524,191 S * 7/2006 Sugimoto D12/110

D526,249 S * 8/2006 Tanaka et al. D12/110
D571,026 S * 6/2008 Ichihara D26/28
D580,076 S * 11/2008 Ichihara D26/28
D581,840 S * 12/2008 Ichihara et al. D12/110
D583,714 S * 12/2008 Ichihara et al. D12/110
D590,302 S * 4/2009 Tanaka et al. D12/110
D594,784 S * 6/2009 Ichihara et al. D12/110
D598,330 S * 8/2009 Miyanishi et al. D12/110
D601,927 S * 10/2009 Watanabe et al. D12/110
D603,300 S * 11/2009 Fukuyama et al. D12/110
D609,609 S * 2/2010 Hayashi et al. D12/110
D609,610 S * 2/2010 Inose D12/110
D621,301 S * 8/2010 Hayashi et al. D12/110
D632,226 S * 2/2011 Miyata D12/110
D640,173 S * 6/2011 Oyanagi et al. D12/110
D662,857 S * 7/2012 Petersson et al. D12/110
D662,858 S * 7/2012 Yamazaki et al. D12/110
D662,859 S * 7/2012 Matsuoka et al. D12/110
D665,706 S * 8/2012 Oyanagi et al. D12/110
D685,682 S * 7/2013 Matsumura et al. D12/110

* cited by examiner

Primary Examiner — Robert M Spear

Assistant Examiner — Ryan Harvey

(57) **CLAIM**

The ornamental design for a motorcycle, as shown and described.

DESCRIPTION

FIG. 1 is a front elevational view of a motorcycle showing our new design;

FIG. 2 is a rear elevational view thereof;

FIG. 3 is a left side elevational view thereof;

FIG. 4 is a right side elevational view thereof;

FIG. 5 is a top plan view thereof;

FIG. 6 is a bottom plan view thereof;

FIG. 7 is a front left perspective view thereof; and,

FIG. 8 is a rear right perspective view thereof.

1 Claim, 8 Drawing Sheets

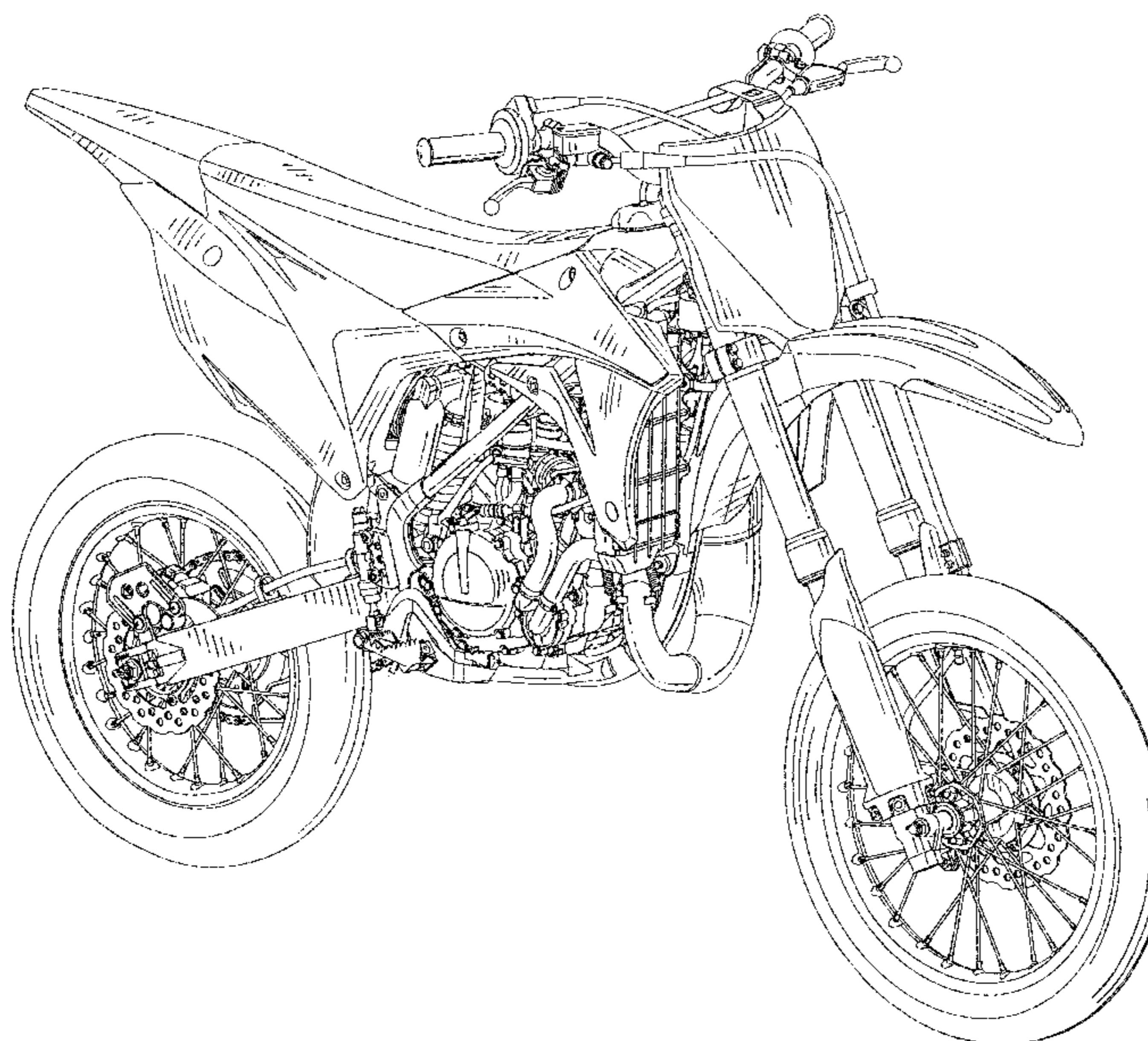


FIG. 1

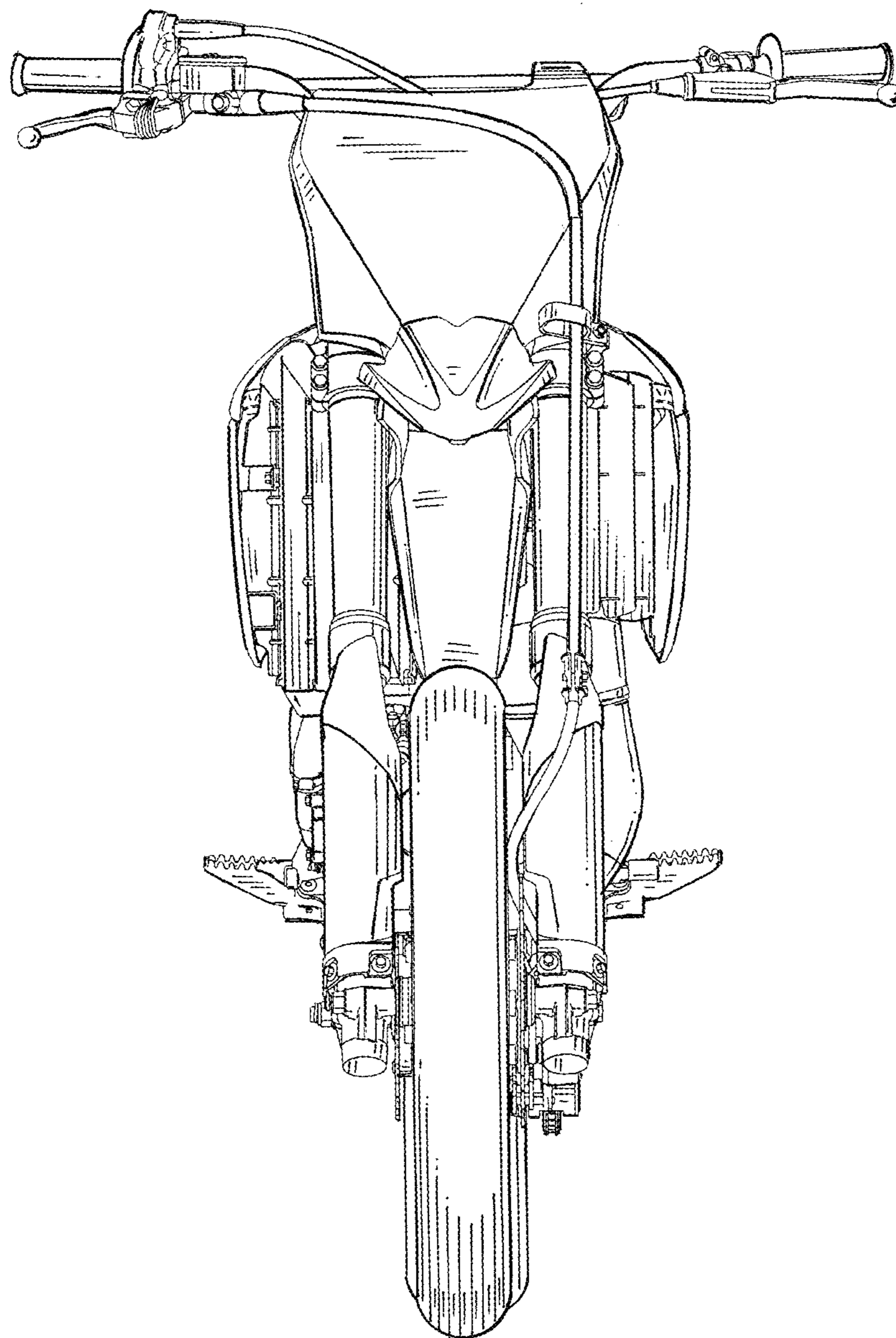
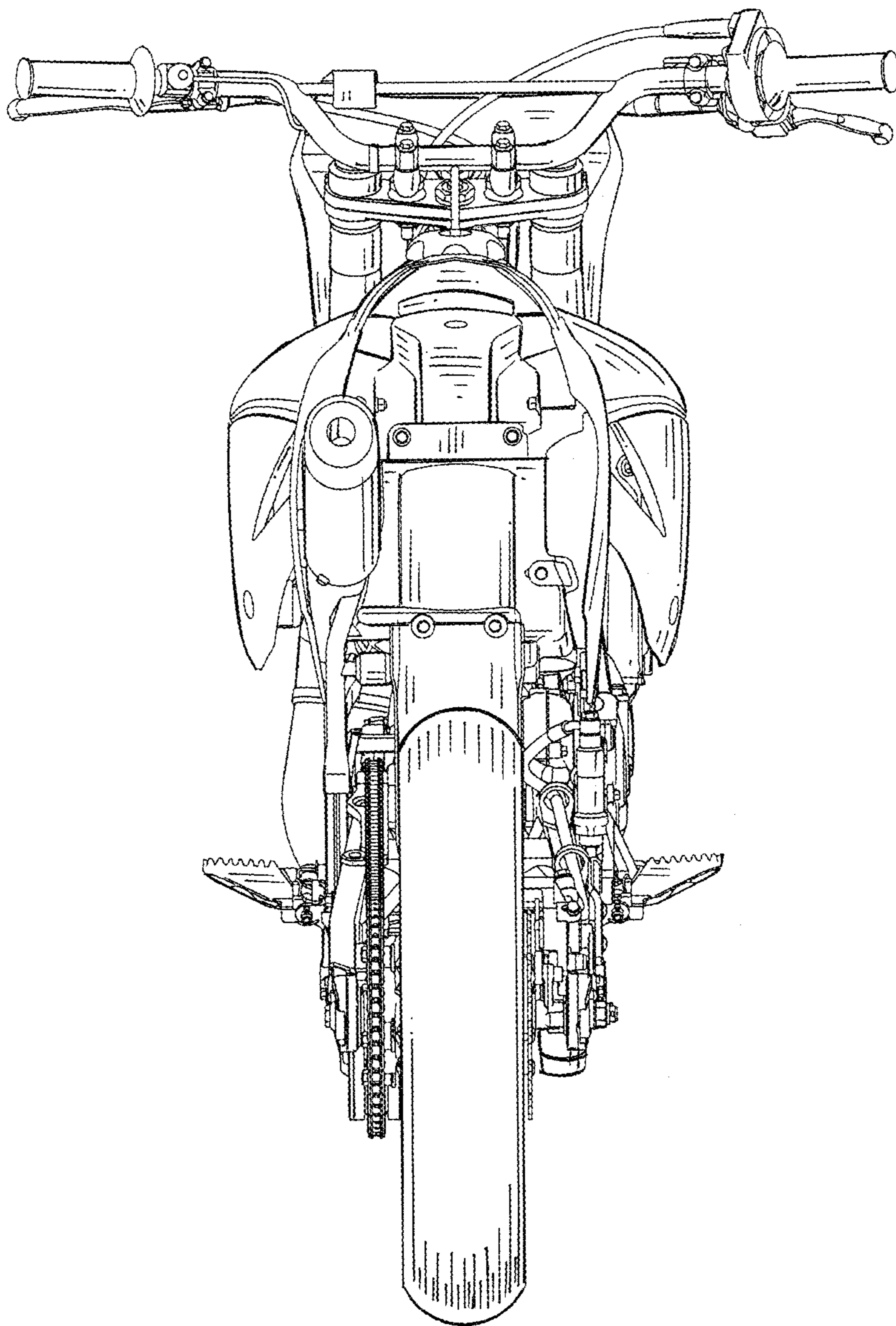


FIG. 2



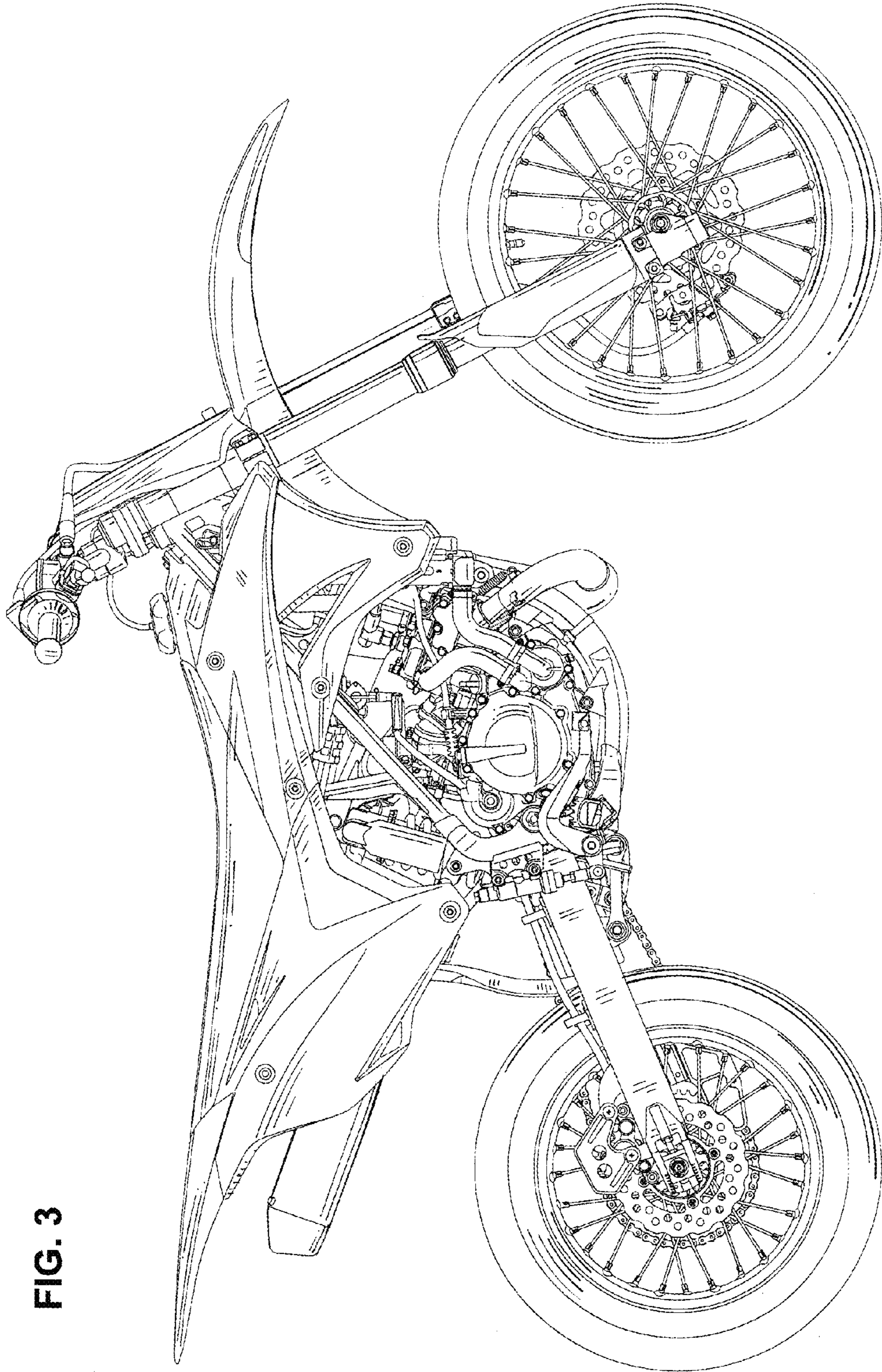


FIG. 3

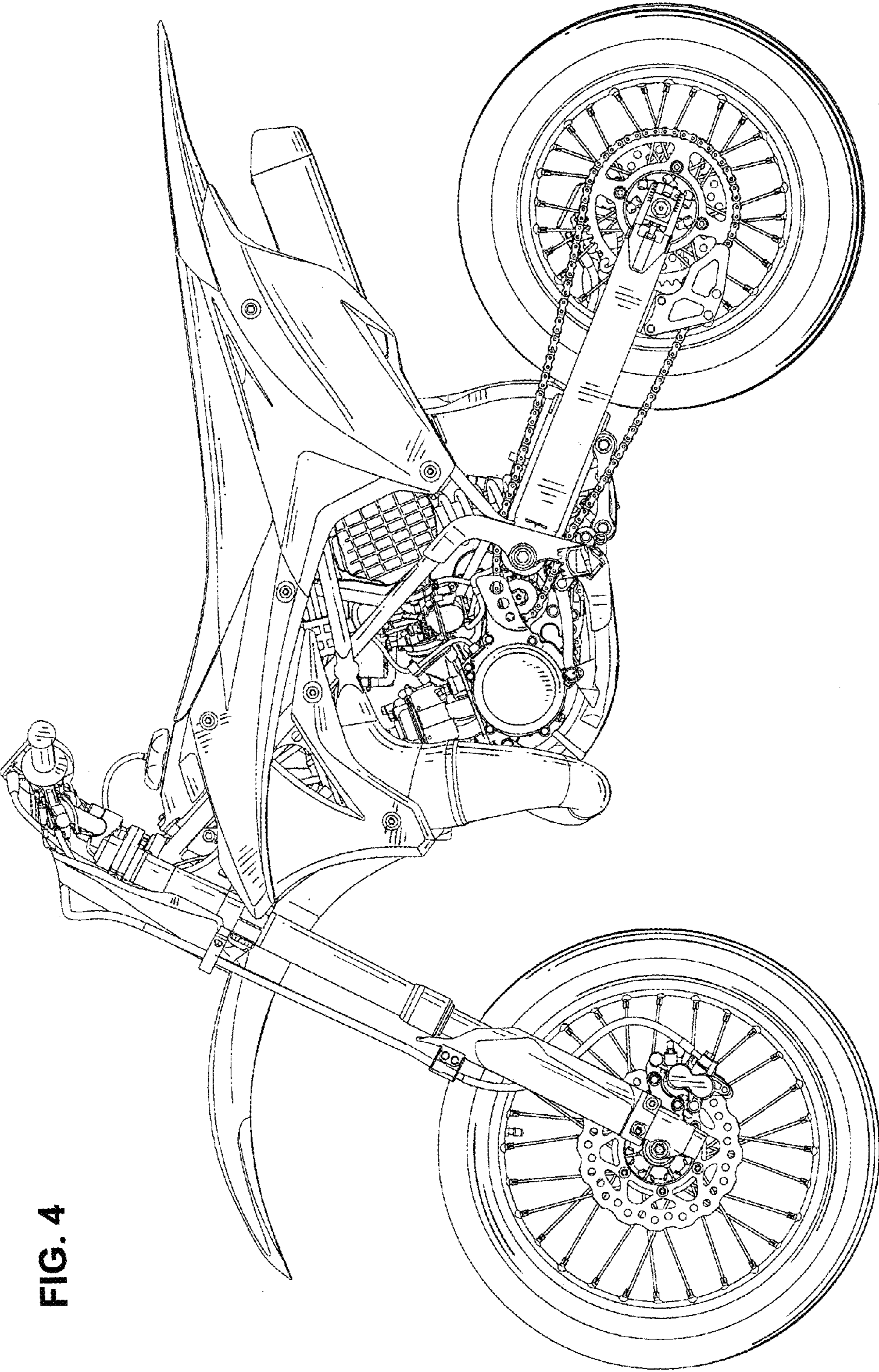


FIG. 4

FIG. 5

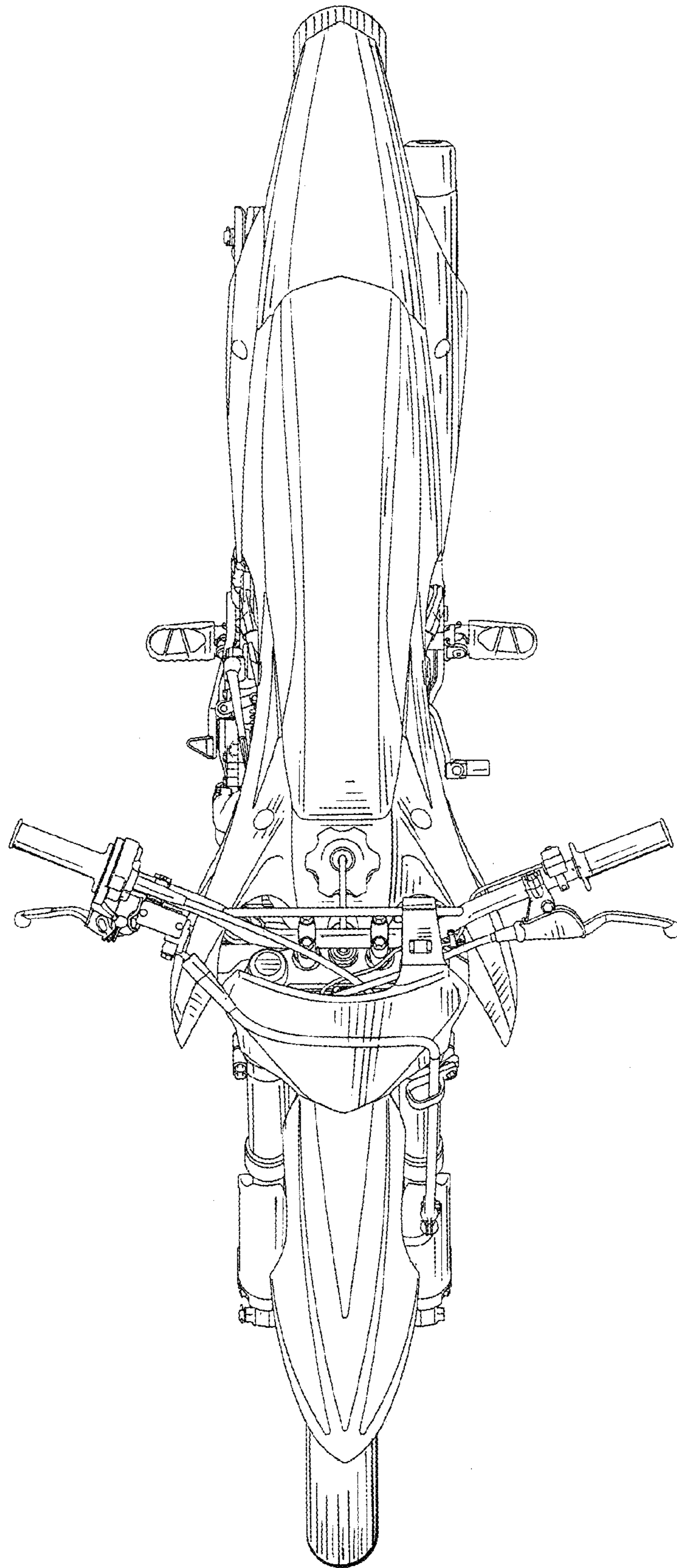
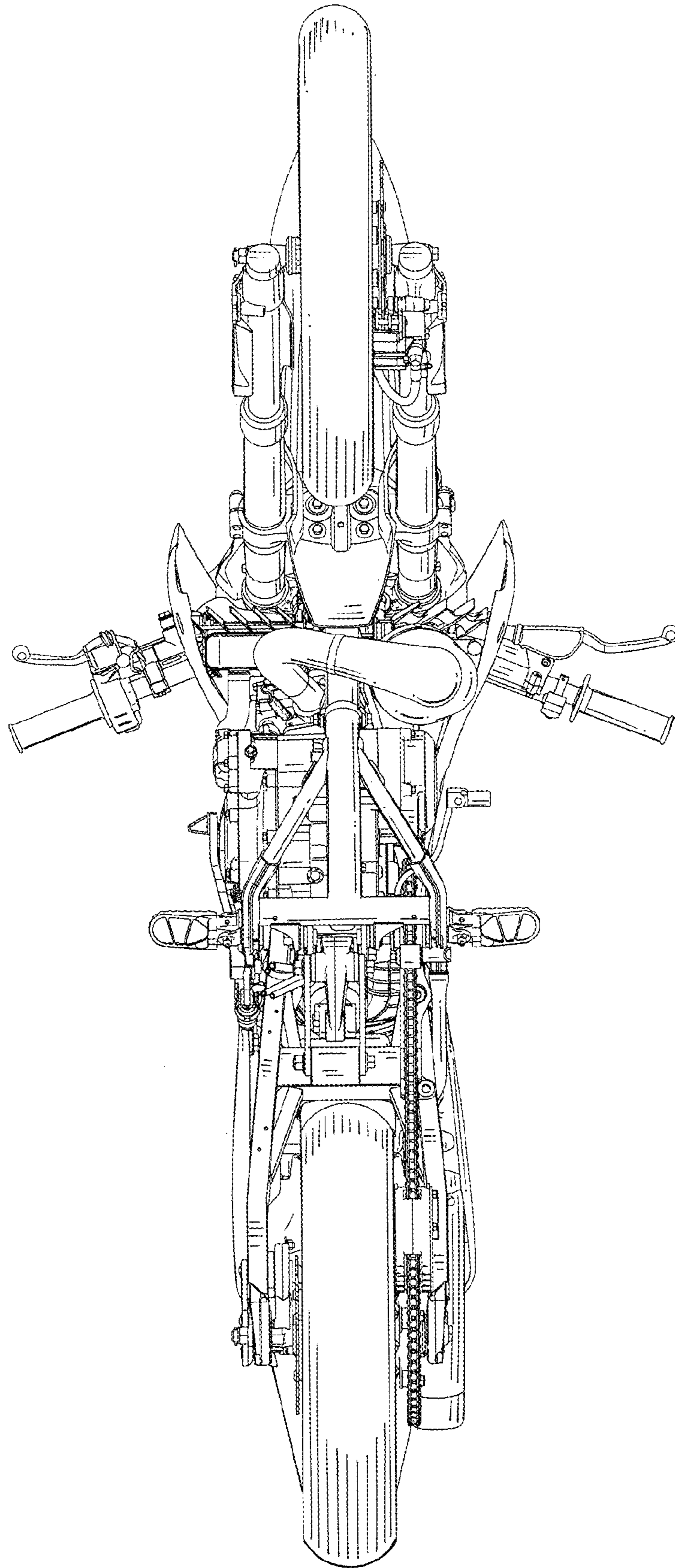


FIG. 6



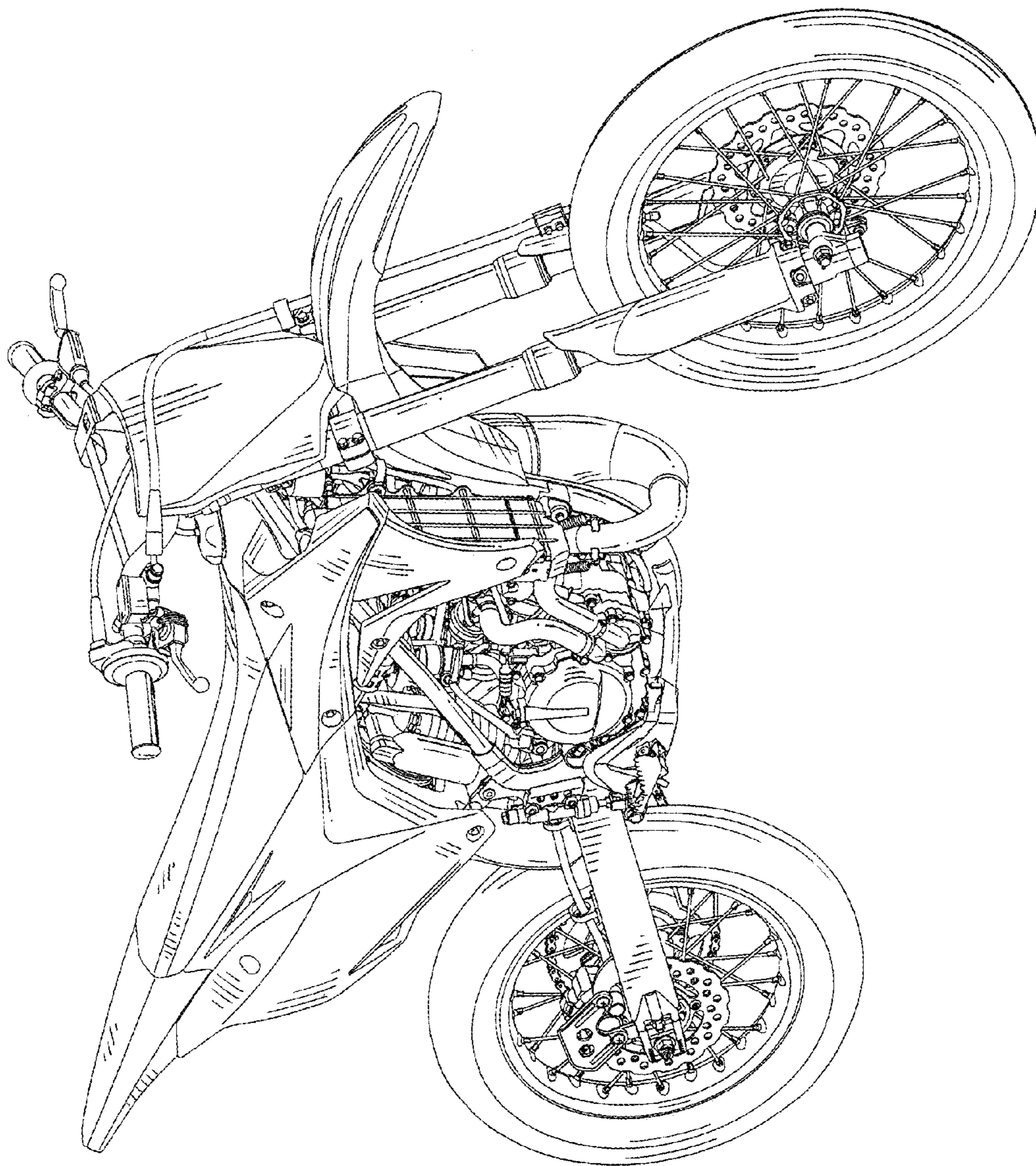


FIG. 7

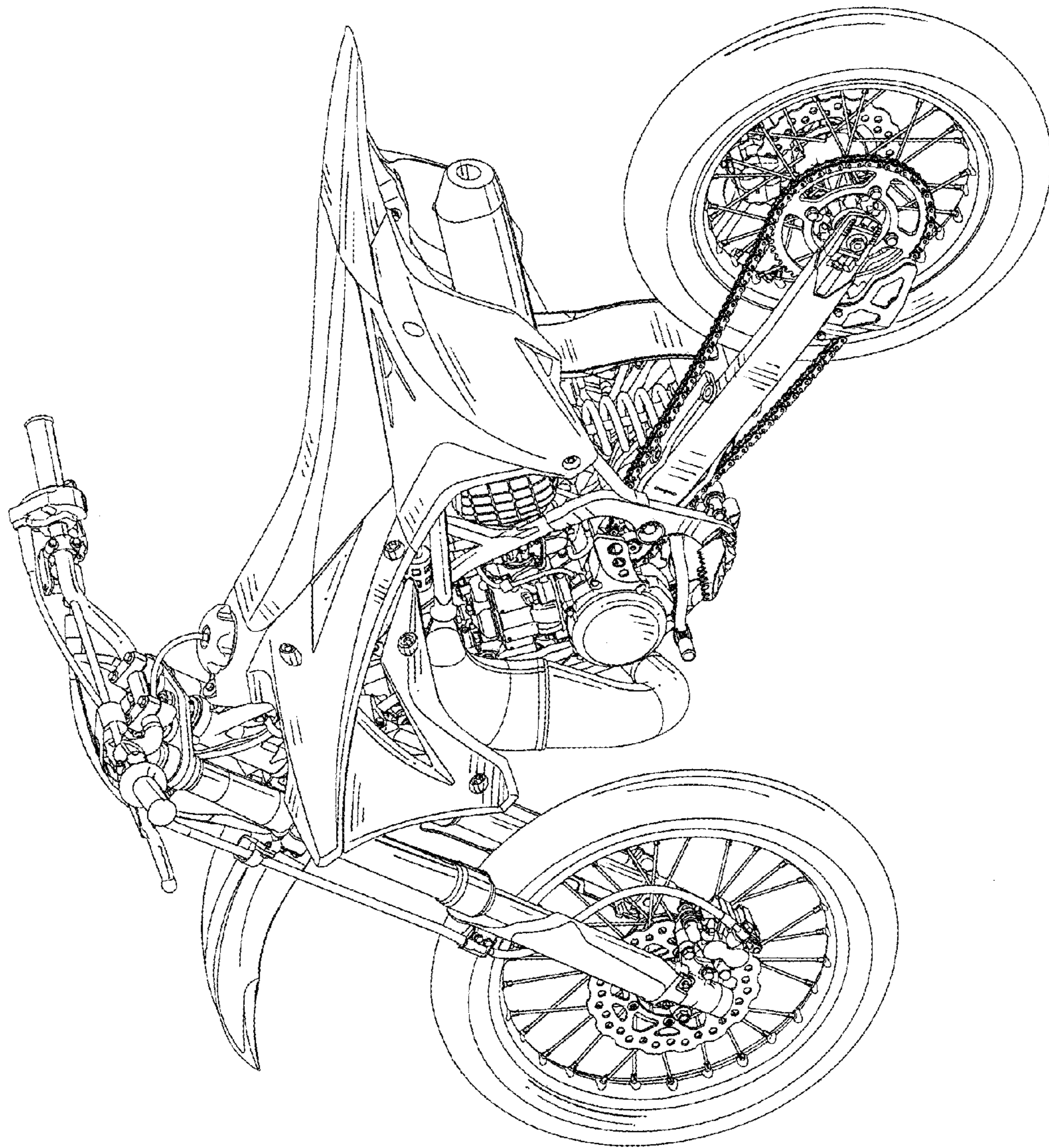


FIG. 8