



US00D738257S

(12) **United States Design Patent**
Criss, Jr. et al.

(10) **Patent No.:** **US D738,257 S**
(45) **Date of Patent:** **** Sep. 8, 2015**

- (54) **UTILITY VEHICLE BODY FRONT COWL**
- (71) Applicant: **Textron, Inc.**, Providence, RI (US)
- (72) Inventors: **John Frederick Criss, Jr.**, North Augusta, SC (US); **Richard Franklin Krall**, Augusta, GA (US)
- (73) Assignee: **Textron, Inc.**, Providence, RI (US)
- (**) Term: **14 Years**
- (21) Appl. No.: **29/491,362**
- (22) Filed: **May 20, 2014**
- (51) **LOC (10) Cl.** **12-13**
- (52) **U.S. Cl.**
USPC **D12/14; D12/87**
- (58) **Field of Classification Search**
USPC D12/3, 4, 5, 14, 85, 86, 87, 107, 110;
280/183-185, DIG. 5, 1, 16, 82, 88, 90,
280/14; 180/233, 908
CPC A01B 59/02; A61G 3/08; B62B 5/04;
B62B 13/10; B62B 19/04; B62B 2202/404;
B62C 9/00; B62D 7/22; B62K 5/01; B60K
23/0808
See application file for complete search history.

- (56) **References Cited**
U.S. PATENT DOCUMENTS
D472,857 S * 4/2003 Weber et al. D12/173
D562,189 S * 2/2008 Miwa et al. D12/107

D586,694 S *	2/2009	Huang et al.	D12/14
D601,060 S *	9/2009	Kinoshita	D12/107
D626,900 S *	11/2010	Guay et al.	D12/173
D629,724 S *	12/2010	Guay et al.	D12/164
D665,309 S *	8/2012	Lepine et al.	D12/107
D694,668 S *	12/2013	Li et al.	D12/14
D701,143 S *	3/2014	Shan	D12/87
D722,284 S *	2/2015	Hsieh	D12/107
D722,536 S *	2/2015	Hobo	D12/107
2012/0031694 A1 *	2/2012	Deckard et al.	180/68.3
2013/0319785 A1 *	12/2013	Spindler et al.	180/292

* cited by examiner

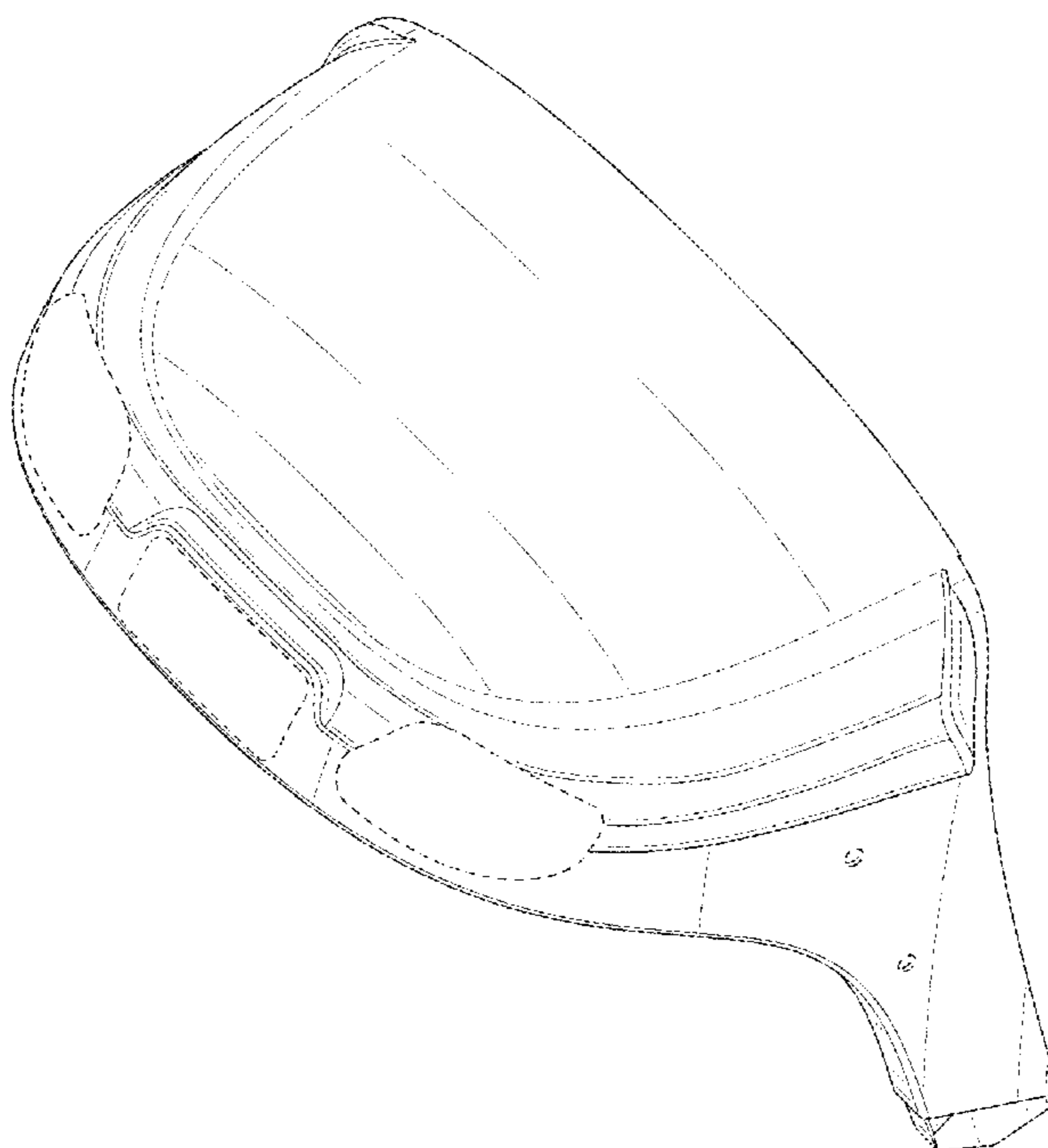
Primary Examiner — Philip S Hyder
Assistant Examiner — Darlington Ly
(74) *Attorney, Agent, or Firm* — Polster Lieder

(57) **CLAIM**
The ornamental design for a utility vehicle body front cowl, as shown and described.

DESCRIPTION

FIG. 1 is an isometric view of a front cowl of a utility vehicle body, such as a golf car and a small maintenance, shuttle or cargo vehicle body;
FIG. 2 is a front view thereof;
FIG. 3 is a rear view thereof;
FIG. 4 is a left side view thereof;
FIG. 5 is a right side view thereof;
FIG. 6 is a top view thereof; and,
FIG. 7 is a bottom view thereof.
The broken lines in the drawings illustrate portions of the utility body front cowl that form no part of the claimed design.

1 Claim, 7 Drawing Sheets



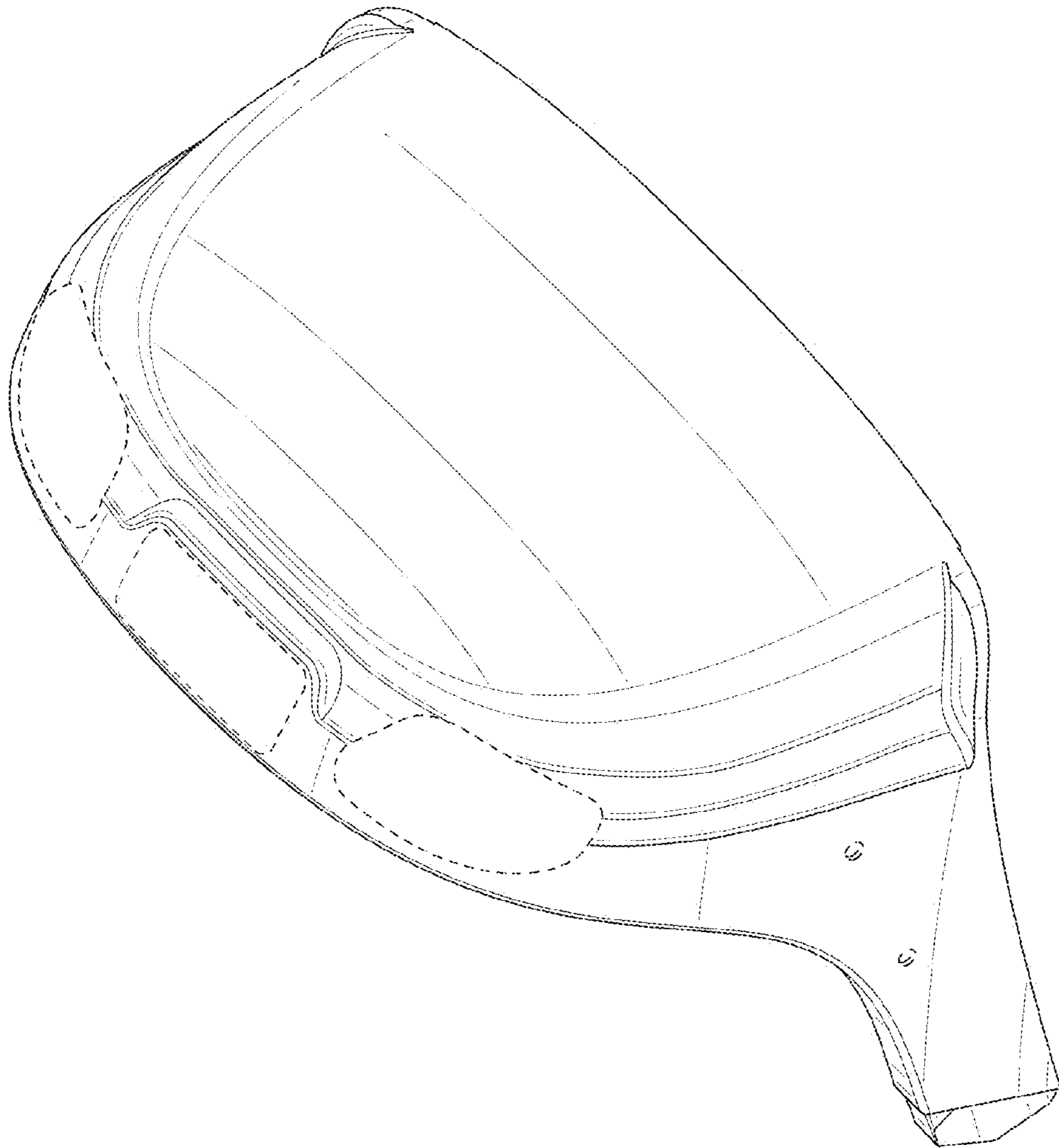


FIG. 1

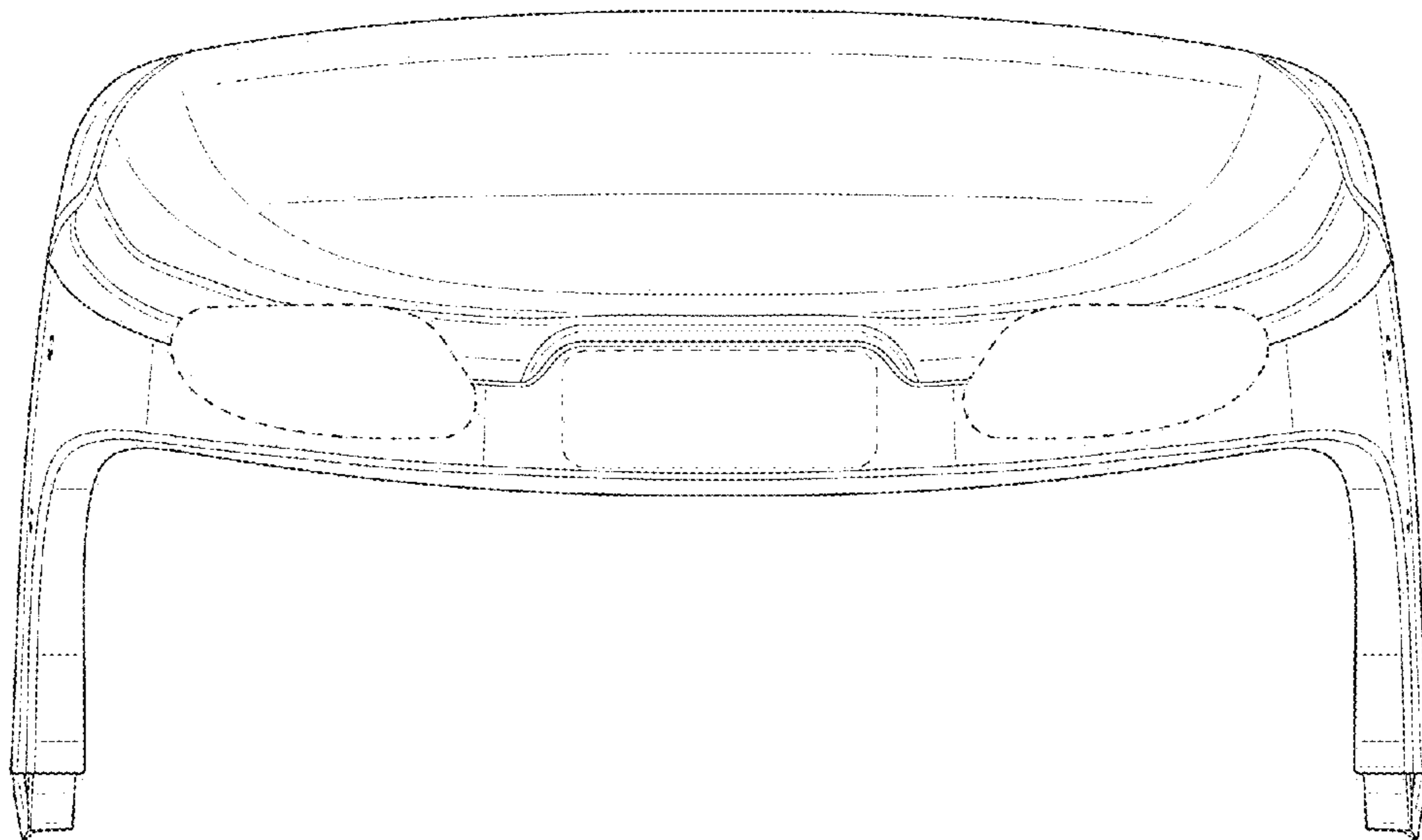


FIG. 2

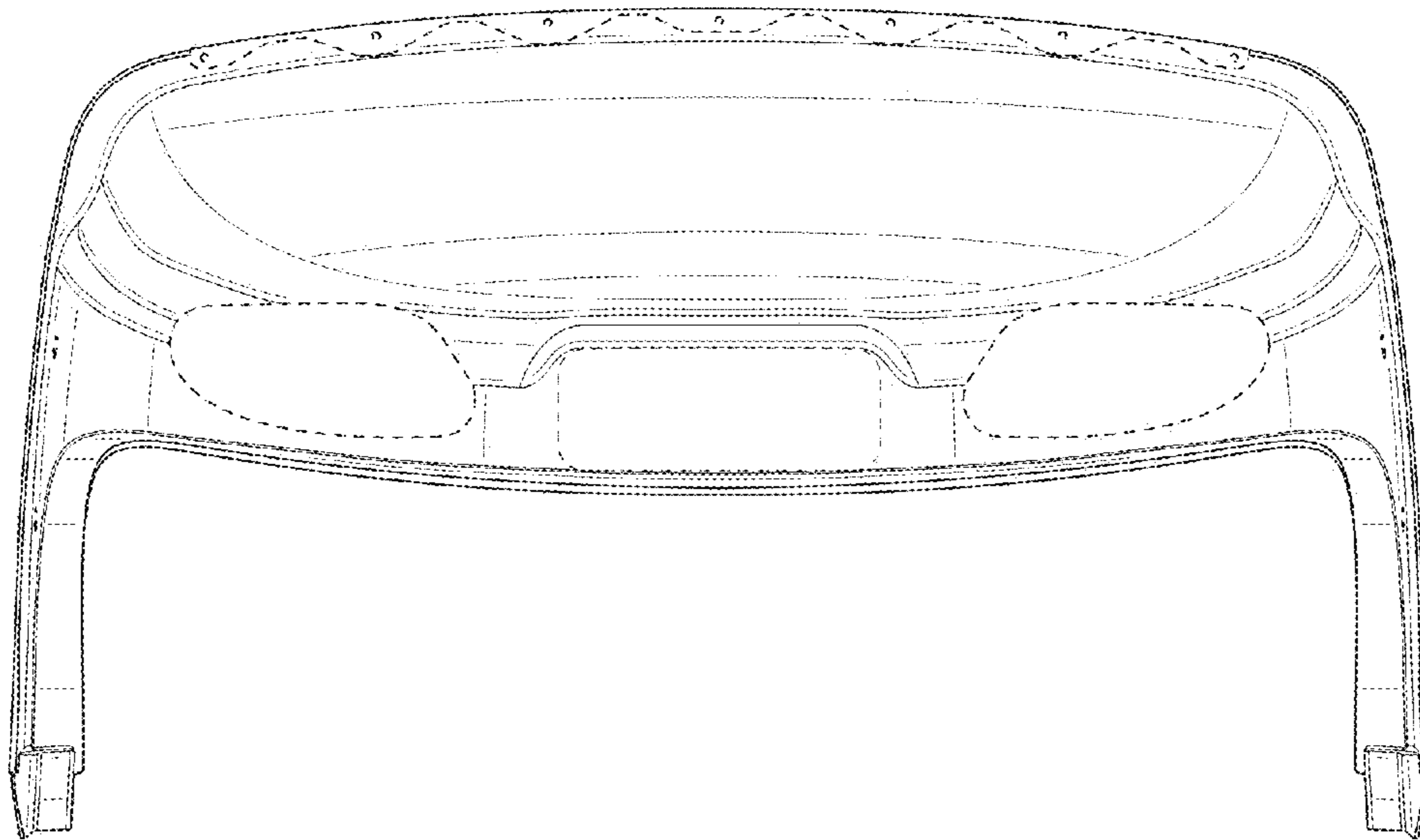


FIG. 3

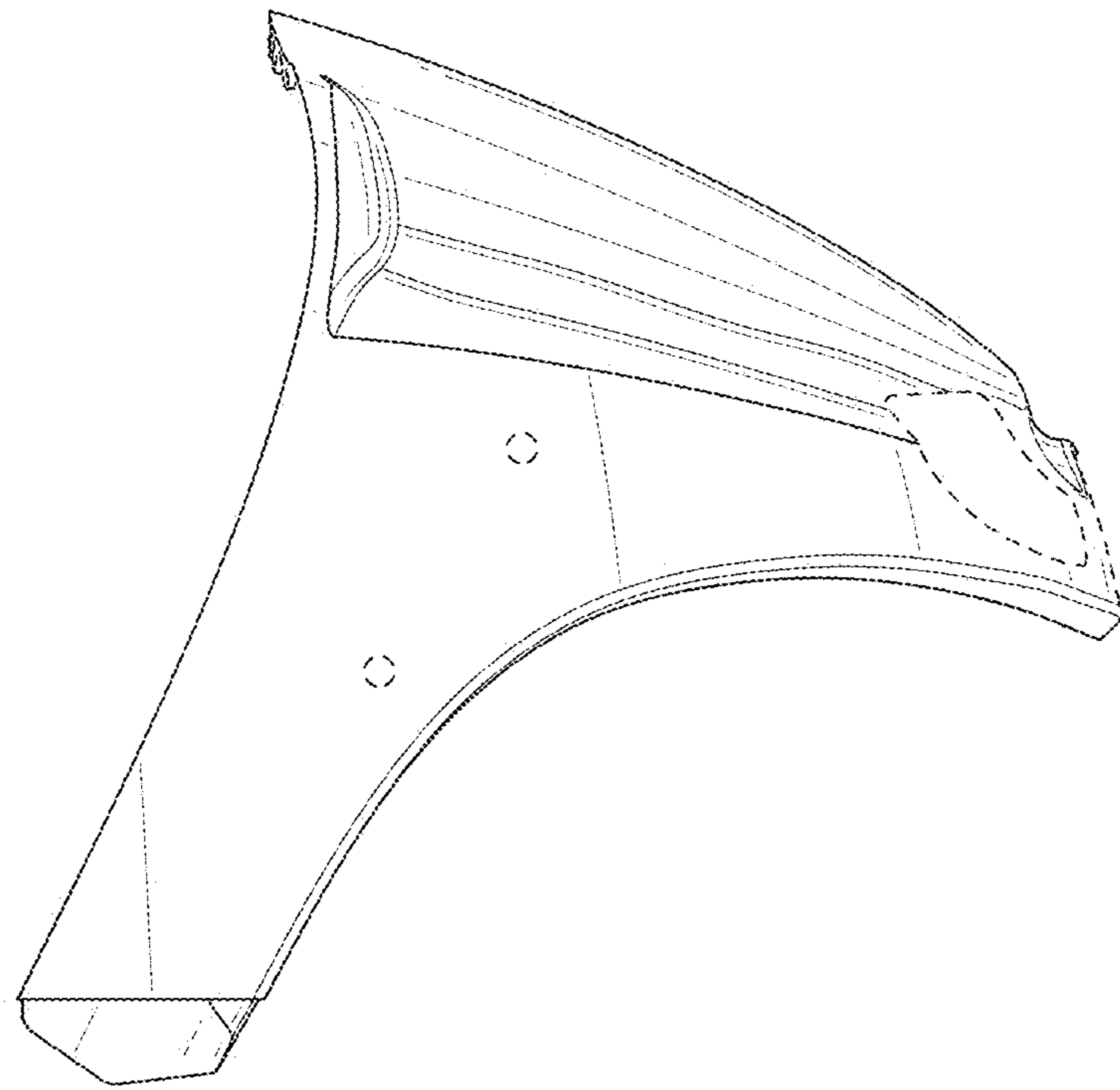


FIG. 4

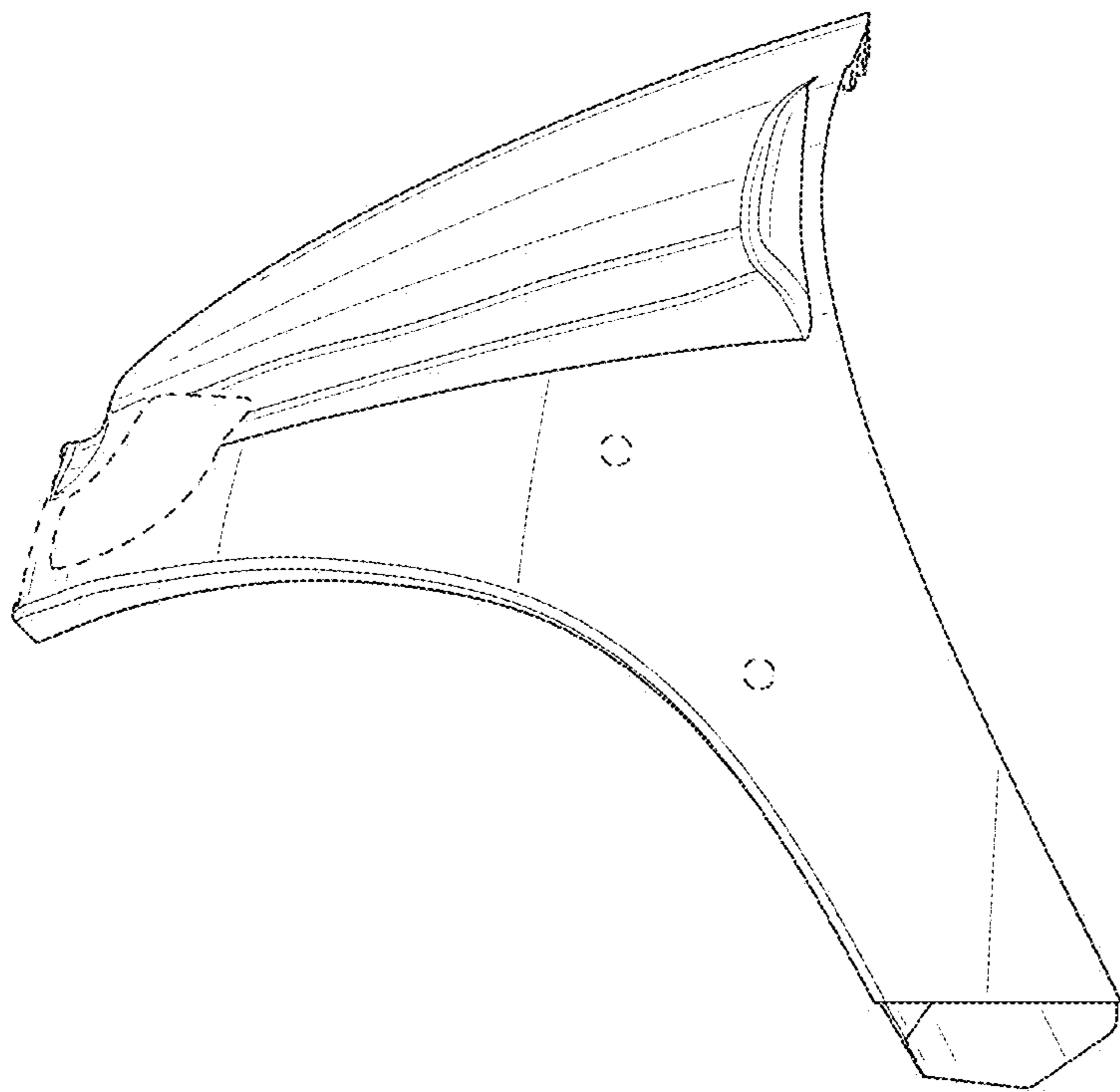


FIG. 5

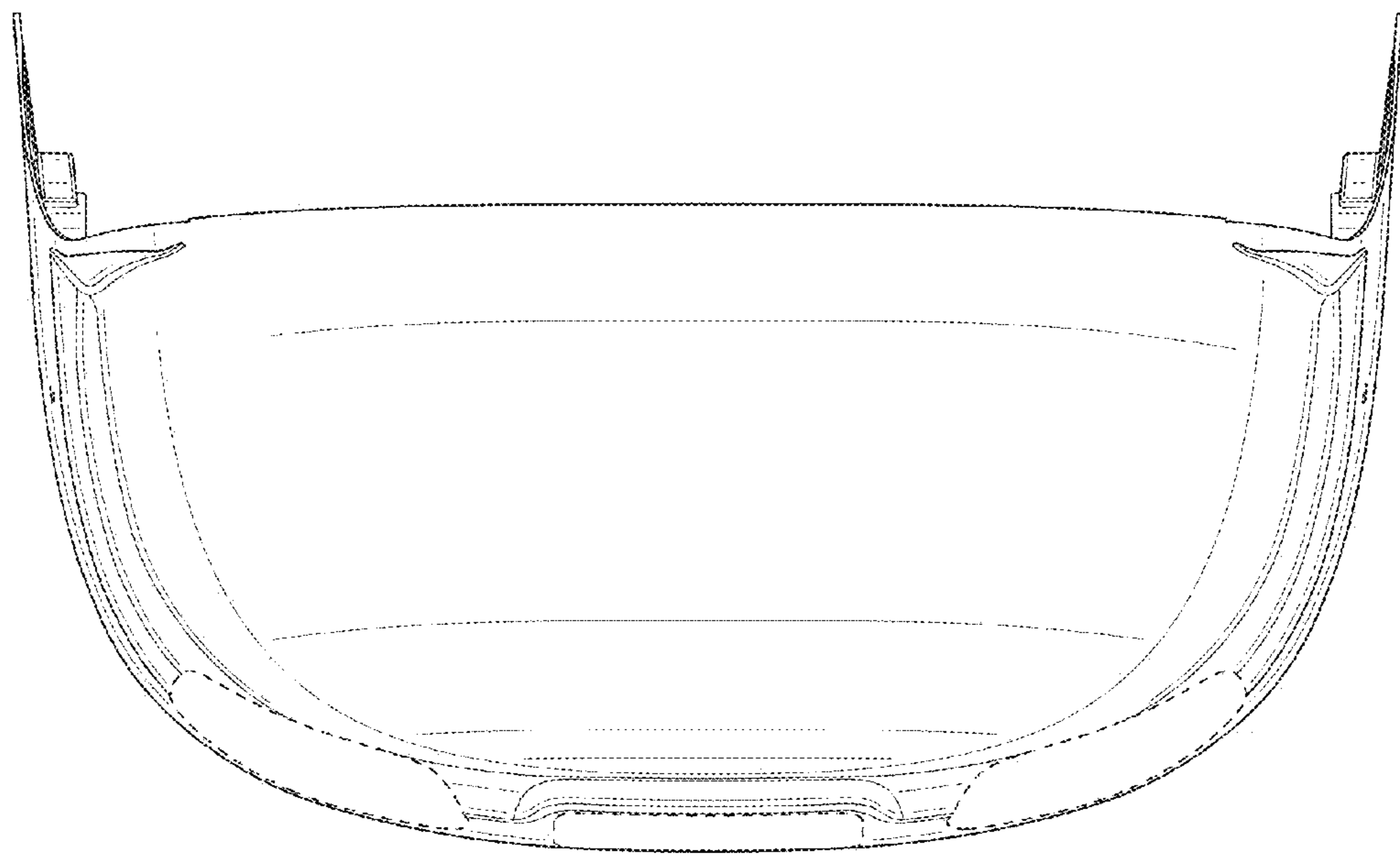


FIG. 6

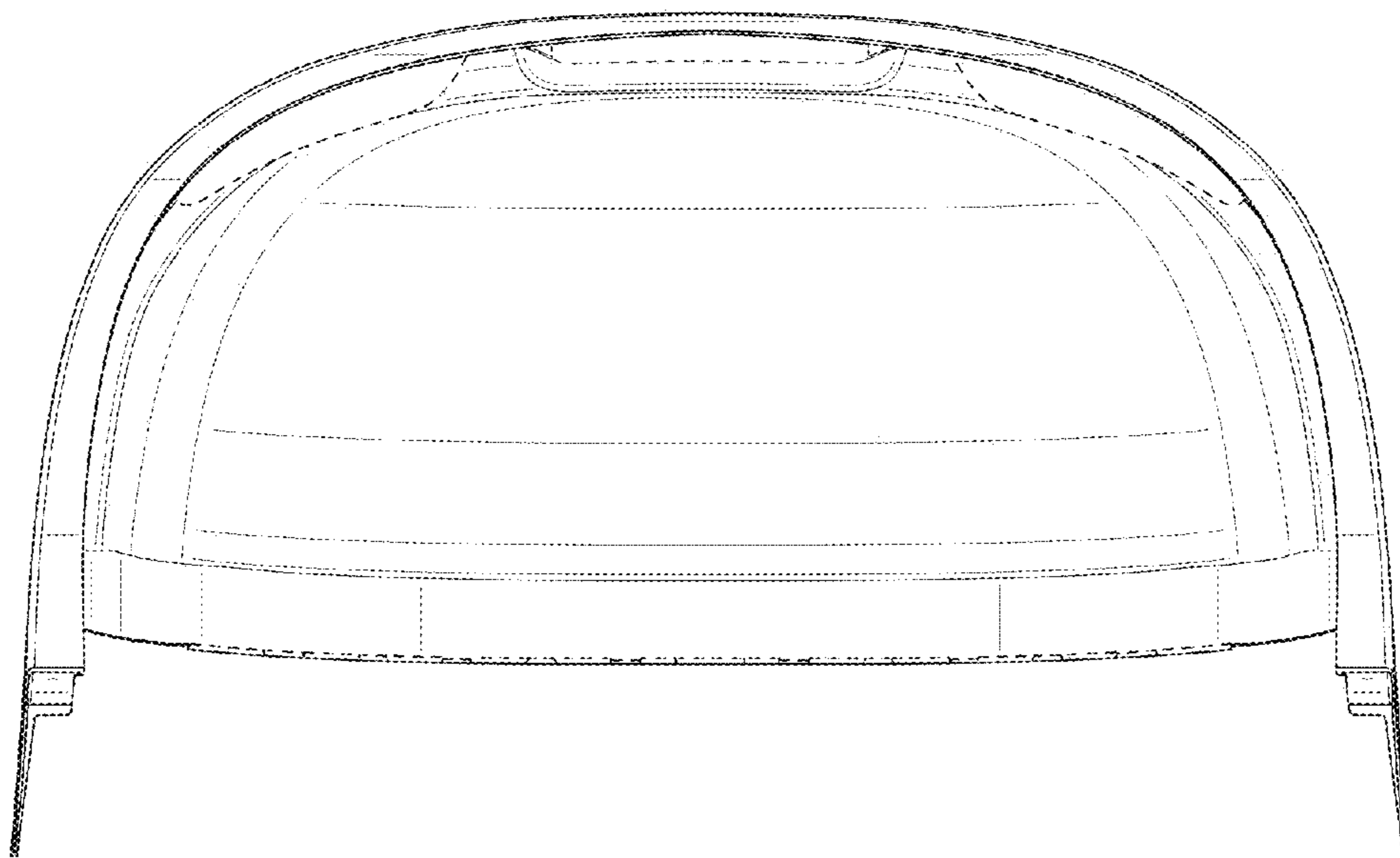


FIG. 7