



US00D738253S

(12) **United States Design Patent**
Parikh

(10) **Patent No.:** **US D738,253 S**
(45) **Date of Patent:** **** Sep. 8, 2015**

(54) **PRINCESS GEM**

(71) Applicant: **Shrenuj USA, LLC**, Seattle, WA (US)

(72) Inventor: **Nihar Parikh**, Seattle, WA (US)

(73) Assignee: **Shrenuj USA, LLC**, Seattle, WA (US)

(**) Term: **14 Years**

(21) Appl. No.: **29/462,591**

(22) Filed: **Aug. 6, 2013**

(51) **LOC (10) Cl.** **11-01**

(52) **U.S. Cl.**
USPC **D11/90**

(58) **Field of Classification Search**
USPC D11/1-2, 26-29, 89-92; 63/26-28, 32
CPC A44C 17/00; A44C 17/01
See application file for complete search history.

(56) **References Cited**

U.S. PATENT DOCUMENTS

D440,902 S *	4/2001	Wolf	D11/90
D469,035 S *	1/2003	Yuan	D11/90
D489,283 S *	5/2004	Wueste	D11/90
D514,977 S *	2/2006	Mehta	D11/90
D524,688 S *	7/2006	Sung et al.	D11/90
D537,379 S *	2/2007	Namdar	D11/90
D545,238 S *	6/2007	Krochmal et al.	D11/90

D633,818 S *	3/2011	So	D11/90
D643,770 S *	8/2011	Botha	D11/90
D688,971 S *	9/2013	Rydlewicz	D11/90

* cited by examiner

Primary Examiner — Ralf Seifert

(74) *Attorney, Agent, or Firm* — Christensen O'Connor Johnson Kindness PLLC

(57) **CLAIM**

The ornamental design for a princess gem, as shown and described.

DESCRIPTION

FIG. 1 is a front perspective view of an archetypical princess gem showing my new design in accordance with a first embodiment;

FIG. 2 is a bottom perspective view thereof;

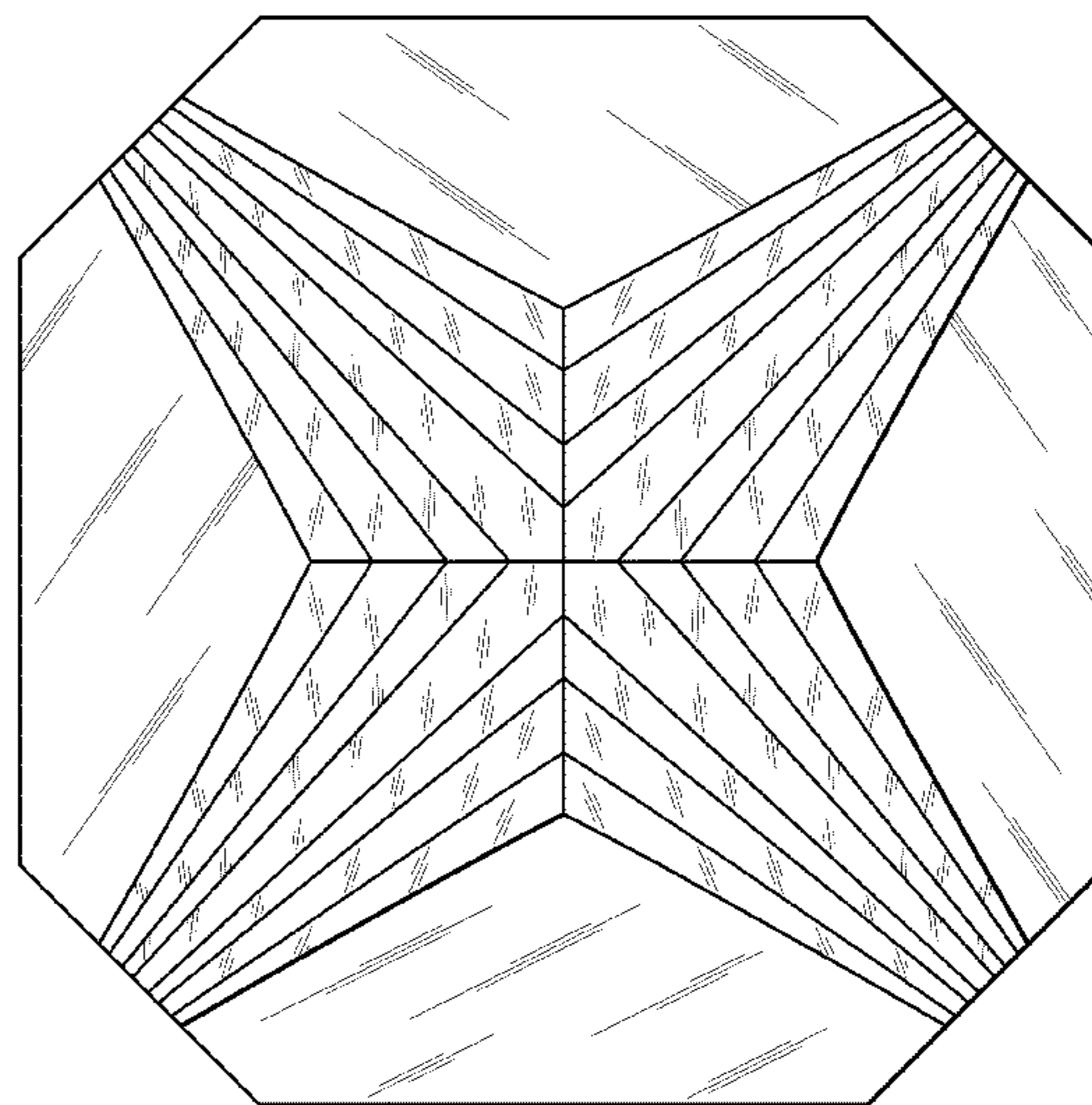
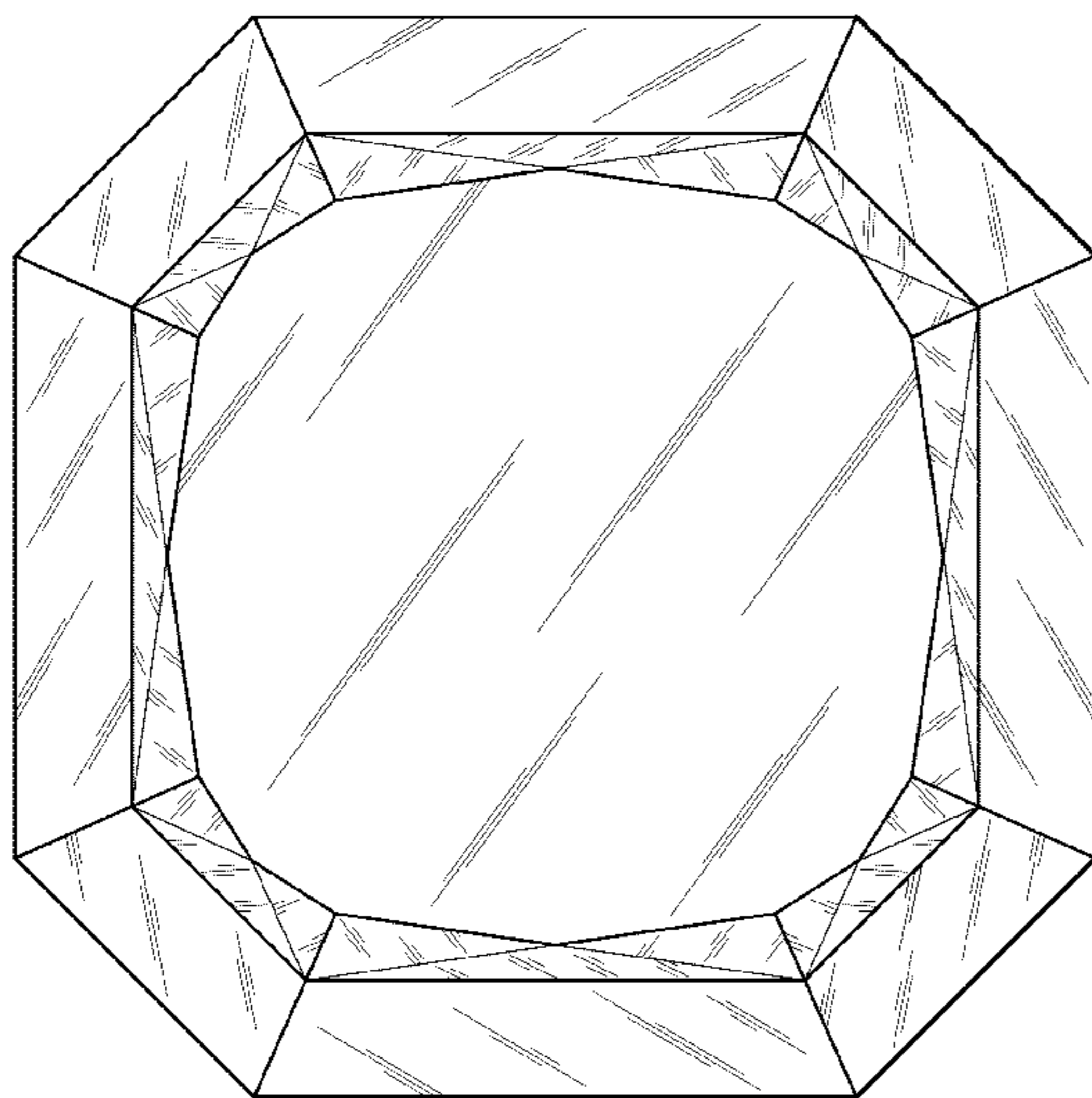
FIG. 3 is a top plan view thereof;

FIG. 4 is a side elevational view thereof; and,

FIG. 5 is a bottom plain view thereof.

The broken lines form no part of the claimed design. However, they provide written description of prospective embodiments that are claimed when some of the broken lines are amended to solid lines. The solid lines form part of the claimed design. However, they provide written description of prospective embodiments that are claimed when some of the solid lines are amended to broken lines.

1 Claim, 5 Drawing Sheets



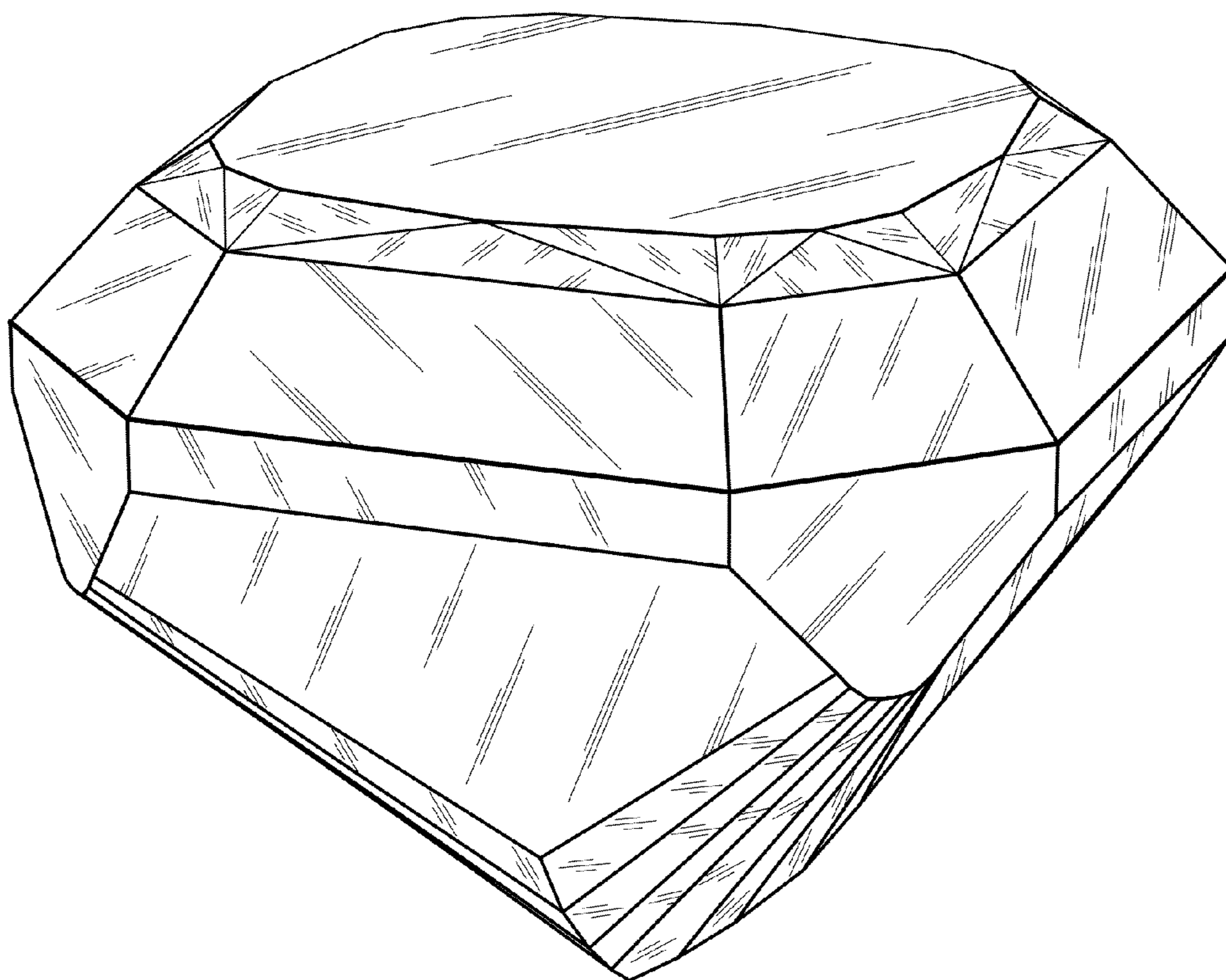


Fig. 1.

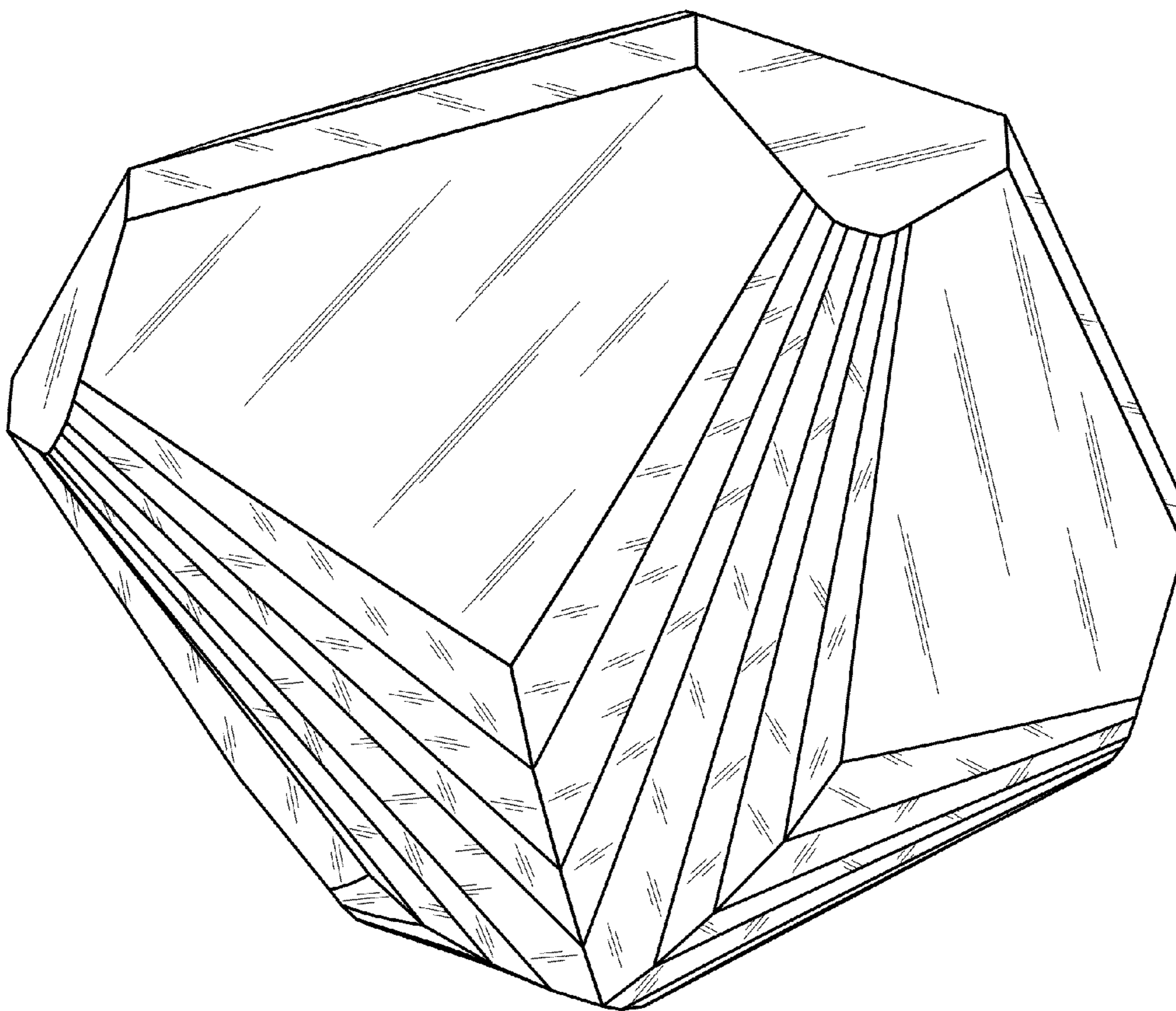


Fig. 2.

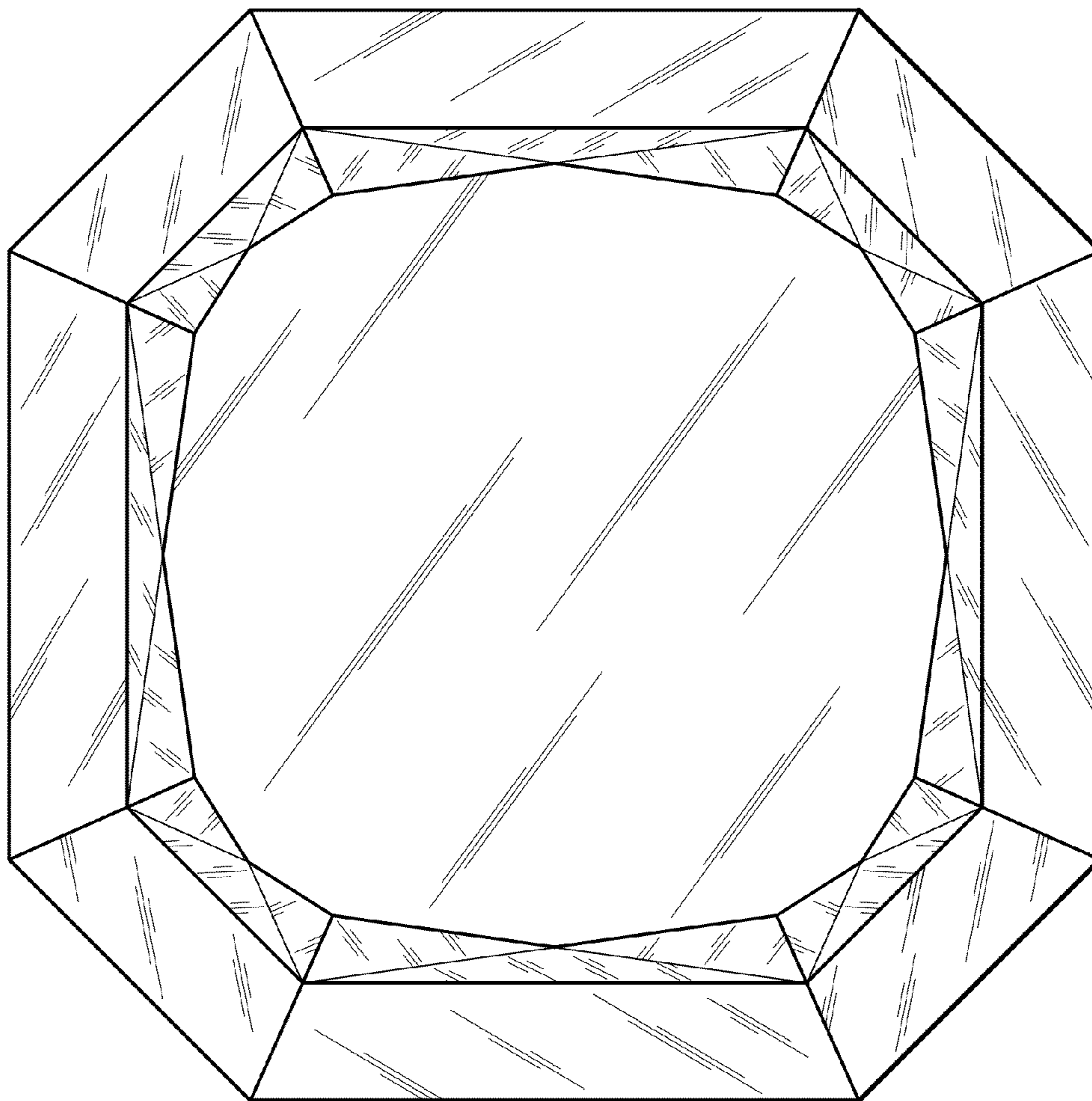


Fig. 3.

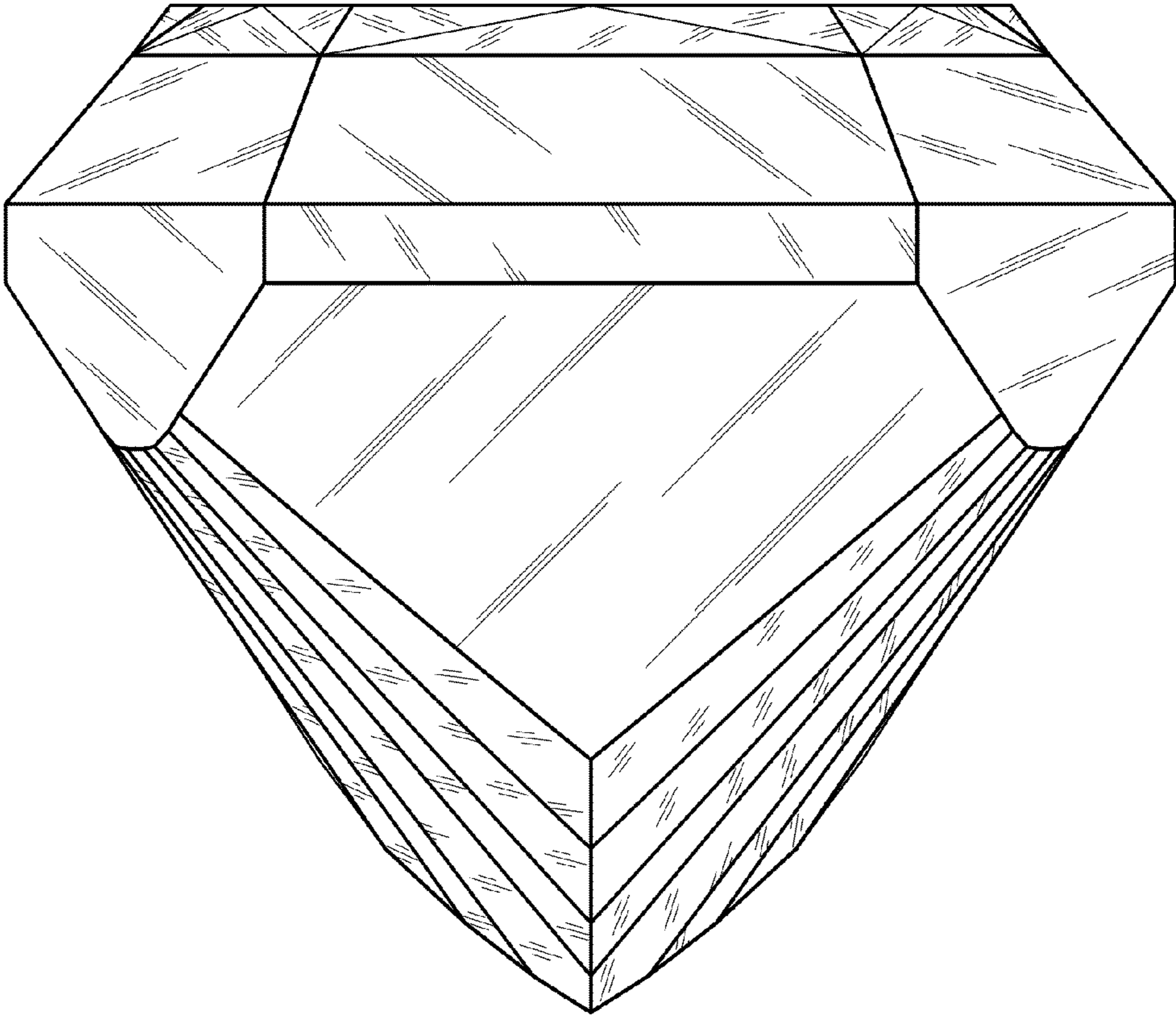


Fig. 4.

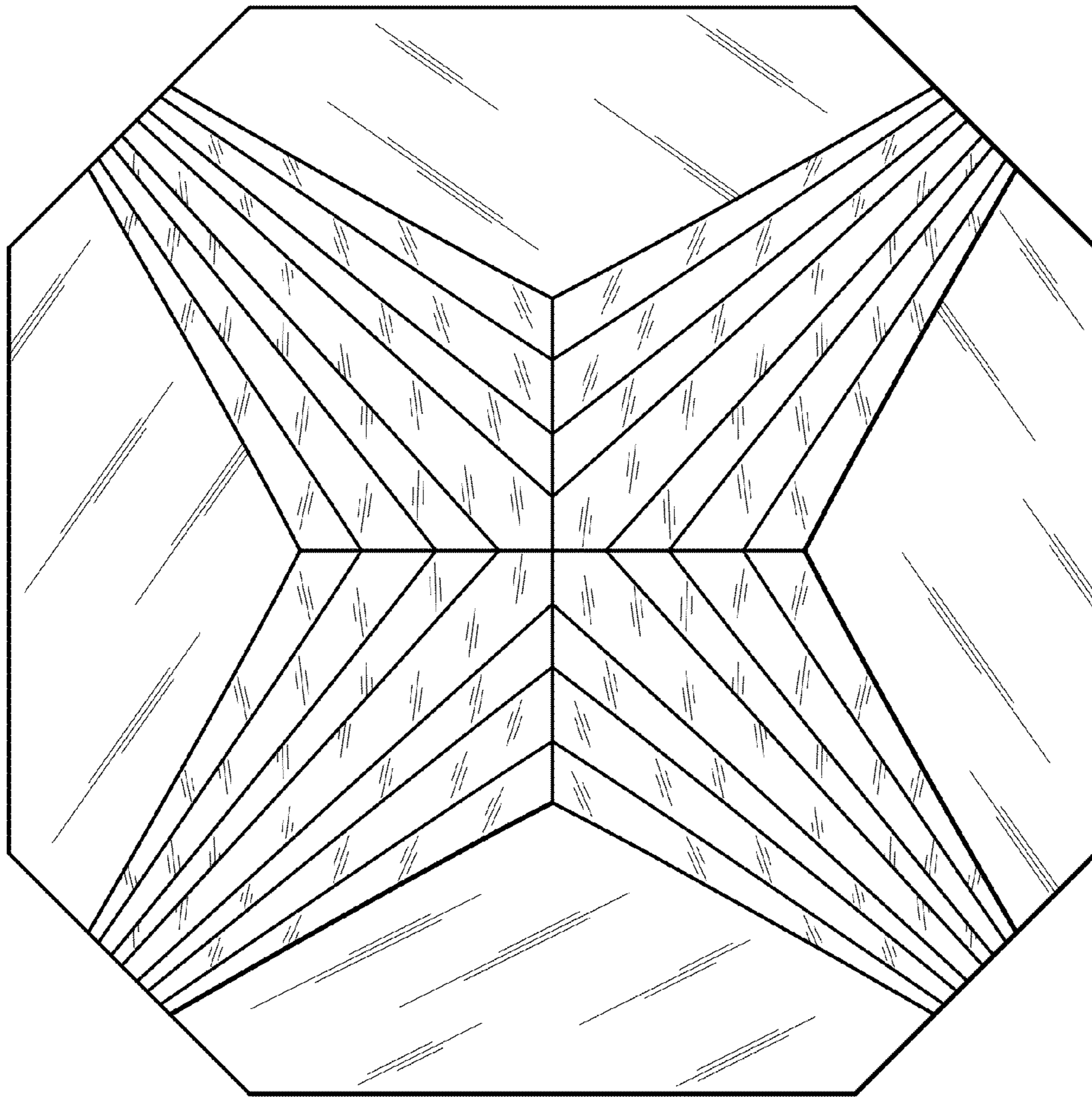


Fig. 5.