



US00D738252S

(12) **United States Design Patent**  
**Sawaya**

(10) **Patent No.:** **US D738,252 S**

(45) **Date of Patent:** **\*\* Sep. 8, 2015**

(54) **RECOVERY STONE**

(71) Applicant: **Alan Sawaya**, Calverton, NY (US)

(72) Inventor: **Alan Sawaya**, Calverton, NY (US)

(\*\*) Term: **14 Years**

(21) Appl. No.: **29/494,290**

(22) Filed: **Jun. 19, 2014**

(51) **LOC (10) Cl.** ..... **11-01**

(52) **U.S. Cl.**  
USPC ..... **D11/89**

(58) **Field of Classification Search**  
USPC ..... D11/1-2, 26-29, 89-92; 63/26-28, 32  
CPC ..... A44C 17/00  
See application file for complete search history.

(56) **References Cited**

**U.S. PATENT DOCUMENTS**

2,172,660	A	*	9/1939	Koubek	.....	359/534
D235,783	S	*	7/1975	Martin	.....	D11/117
D238,355	S	*	1/1976	Pierson	.....	D25/32
D267,569	S	*	1/1983	Polite	.....	D21/373

D272,761	S	*	2/1984	Koziol	.....	D13/100
D272,847	S	*	2/1984	Koziol	.....	D13/100
D370,642	S	*	6/1996	Stafford	.....	D11/90
D516,585	S	*	3/2006	Granig et al.	.....	D11/90
D522,910	S	*	6/2006	Welzig	.....	D11/90

\* cited by examiner

*Primary Examiner* — Ralf Seifert

(74) *Attorney, Agent, or Firm* — Tutunjian & Bitetto, P.C.

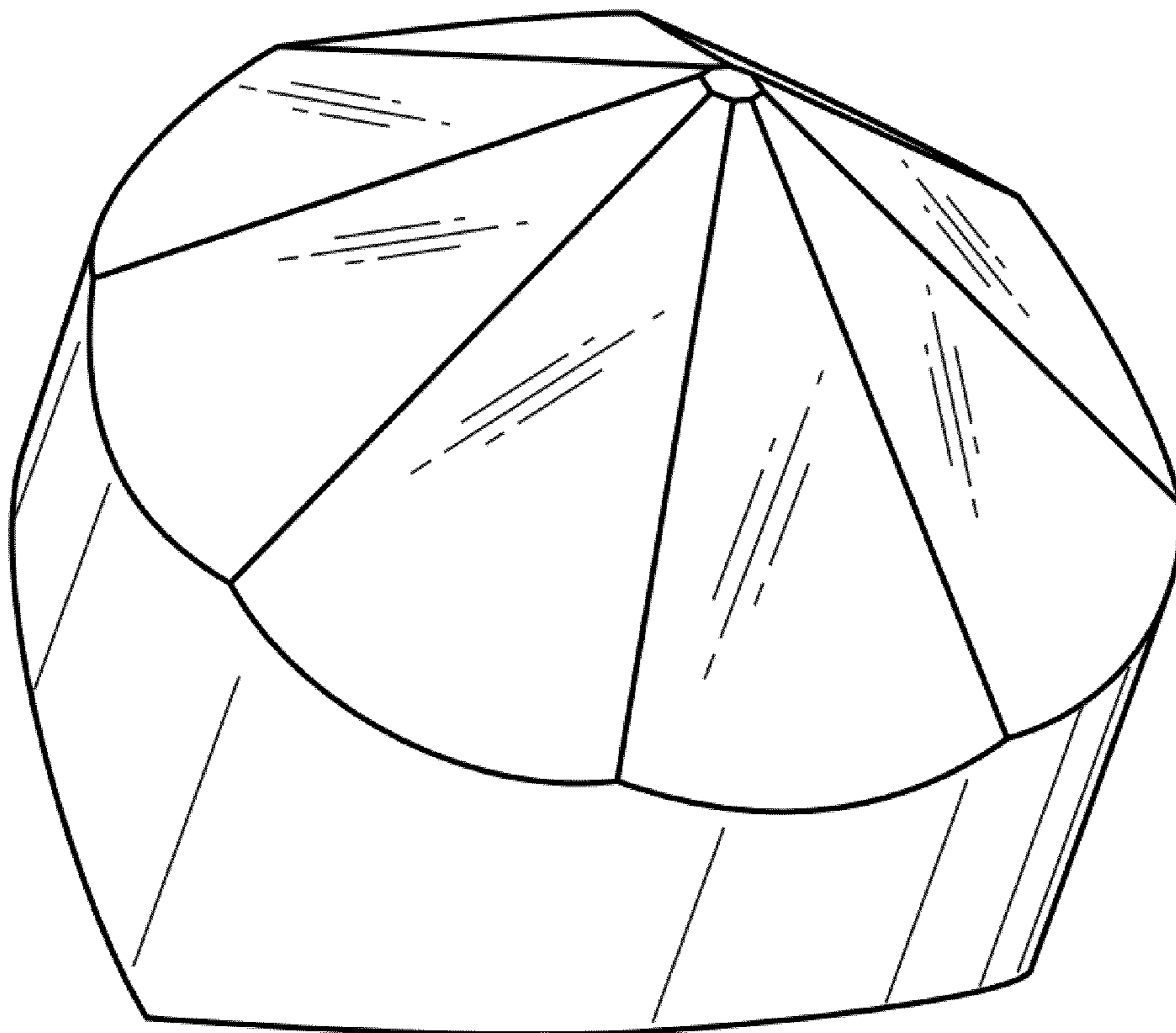
(57) **CLAIM**

The ornamental design for a recovery stone, as shown and described.

**DESCRIPTION**

FIG. 1 is a top perspective view of the recovery stone showing my new design;  
FIG. 2 is a bottom perspective view thereof;  
FIG. 3 is a side view thereof;  
FIG. 4 is another side view thereof;  
FIG. 5 is yet another side view thereof;  
FIG. 6 is a top view thereof; and,  
FIG. 7 is a bottom view thereof.

**1 Claim, 3 Drawing Sheets**



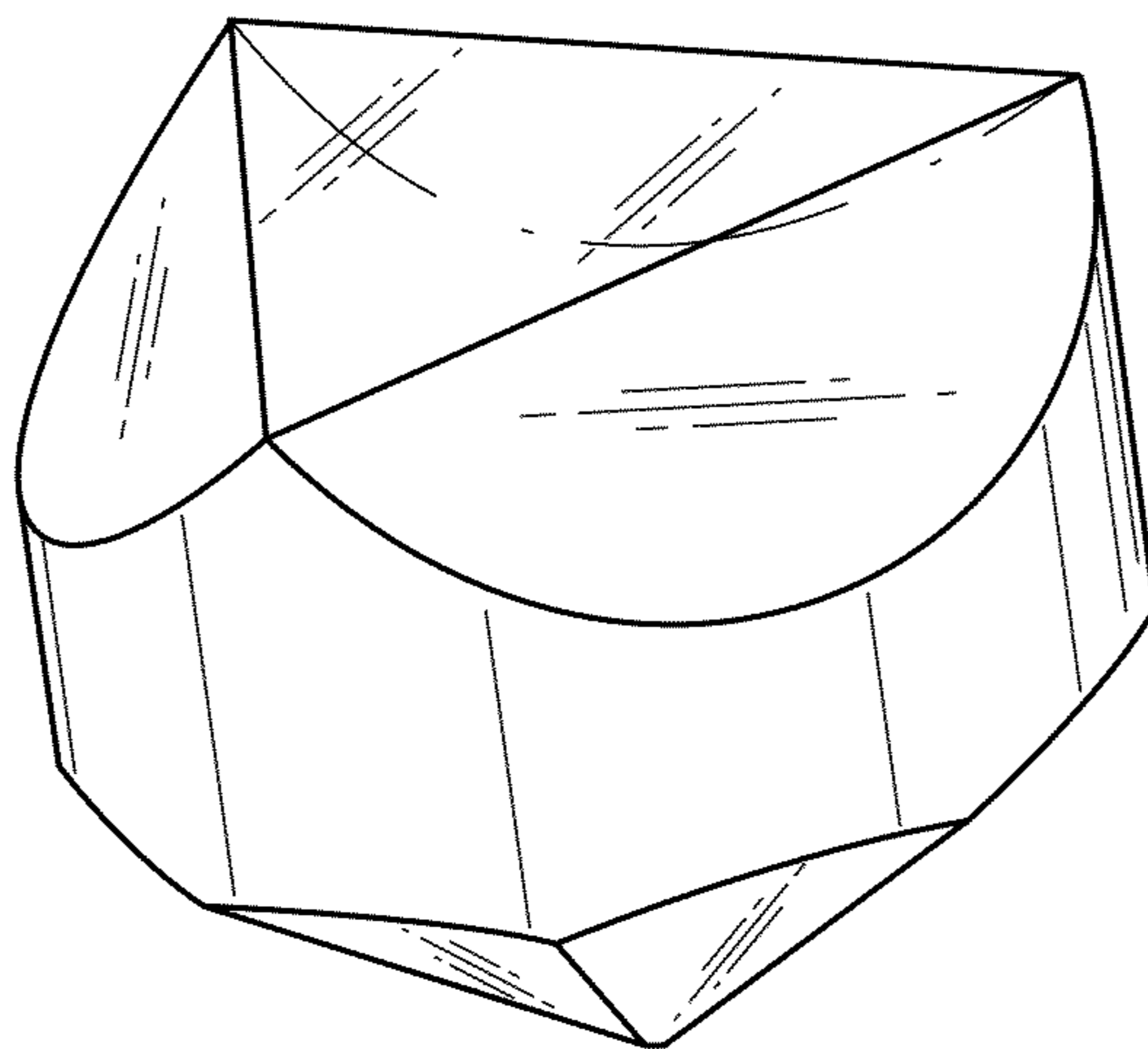


FIG. 1

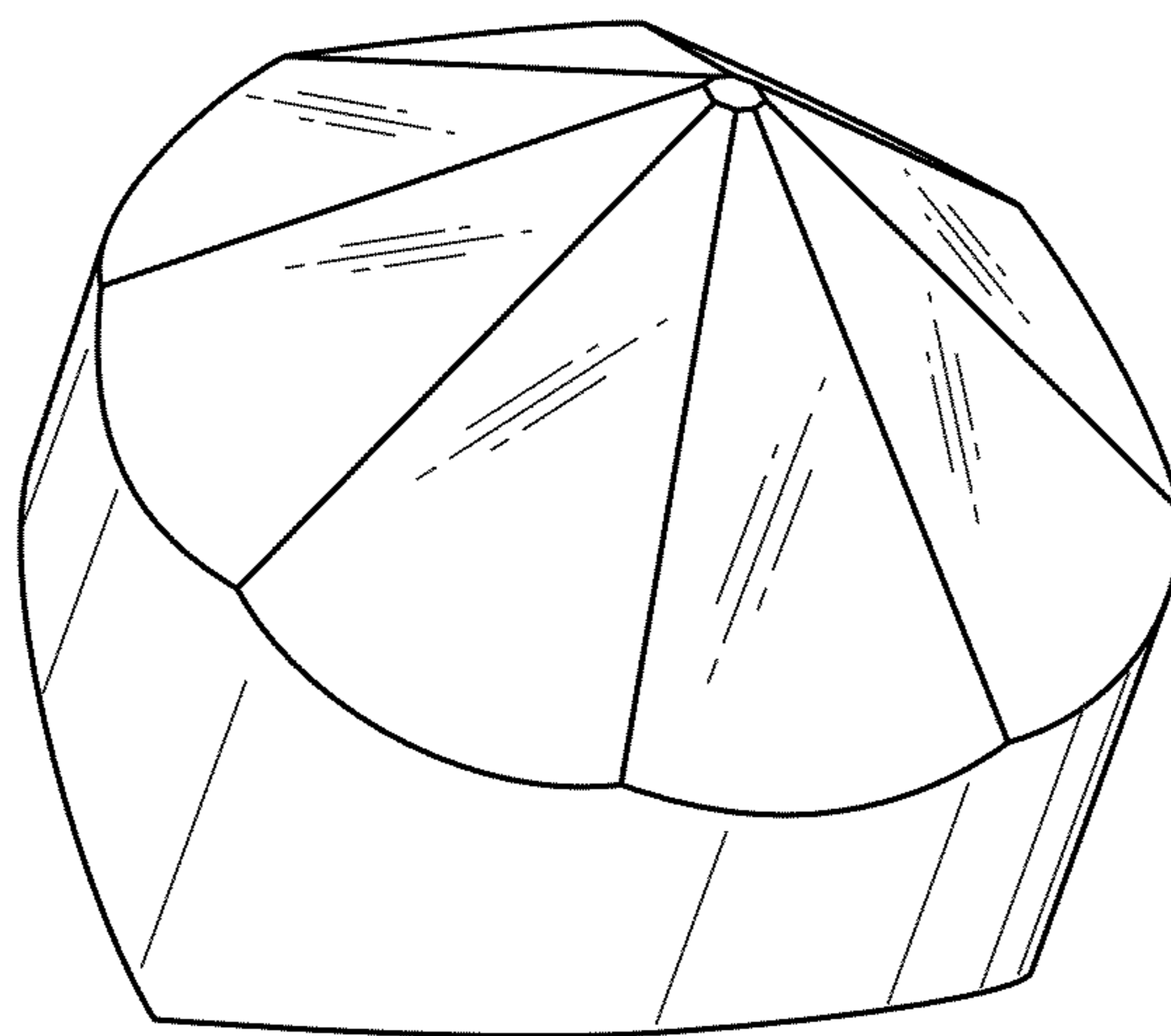


FIG. 2

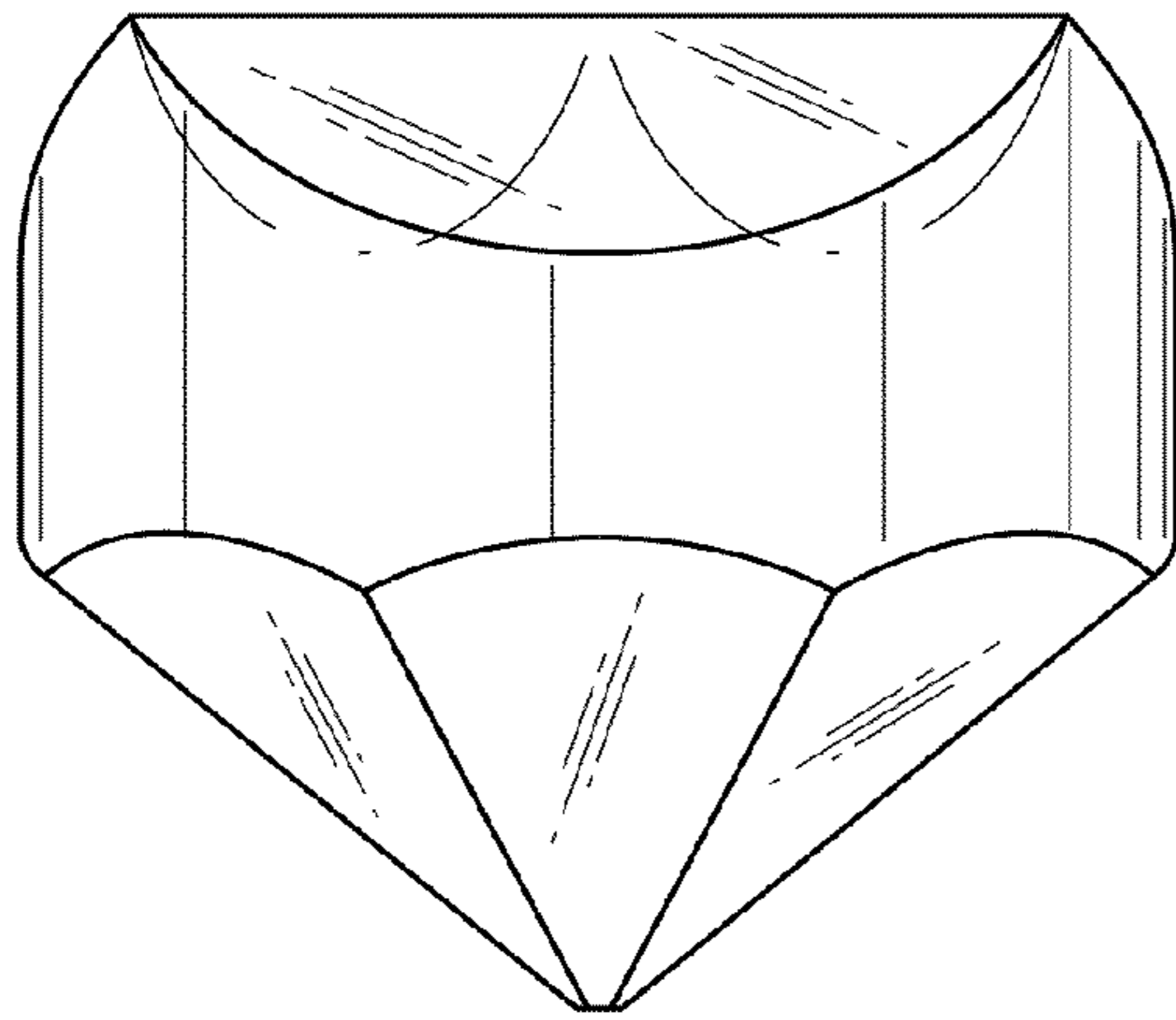


FIG. 3

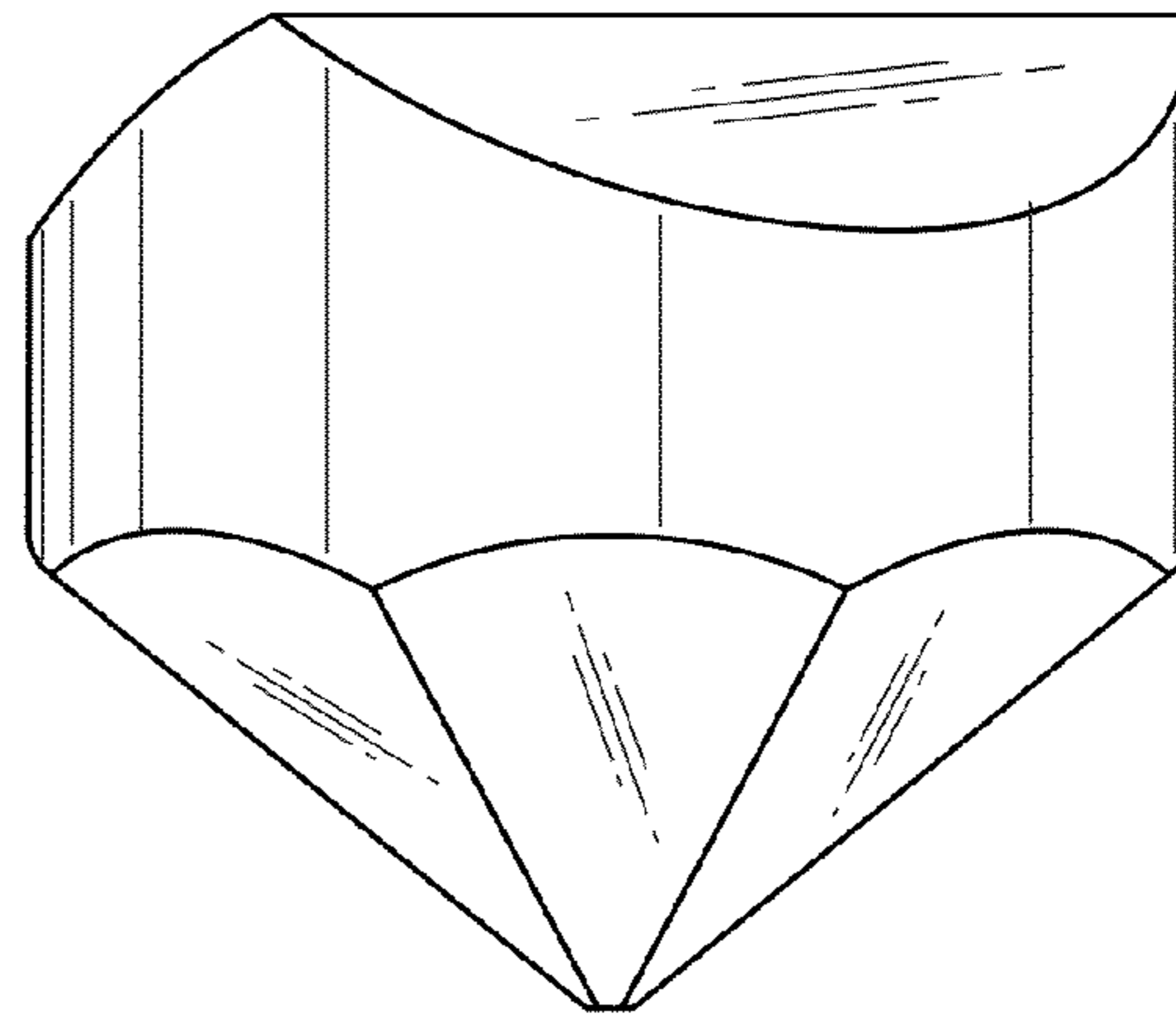


FIG. 4

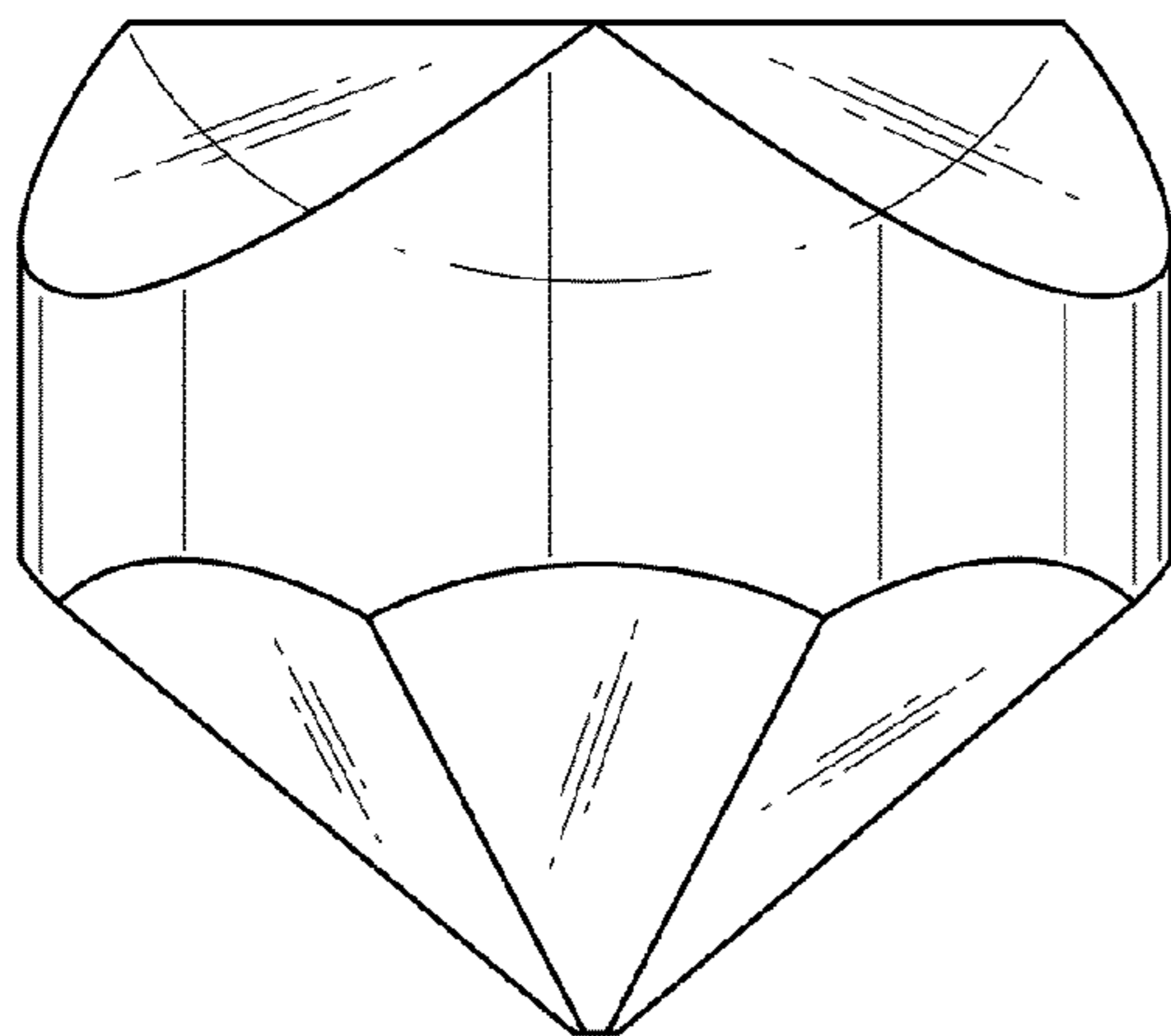


FIG. 5

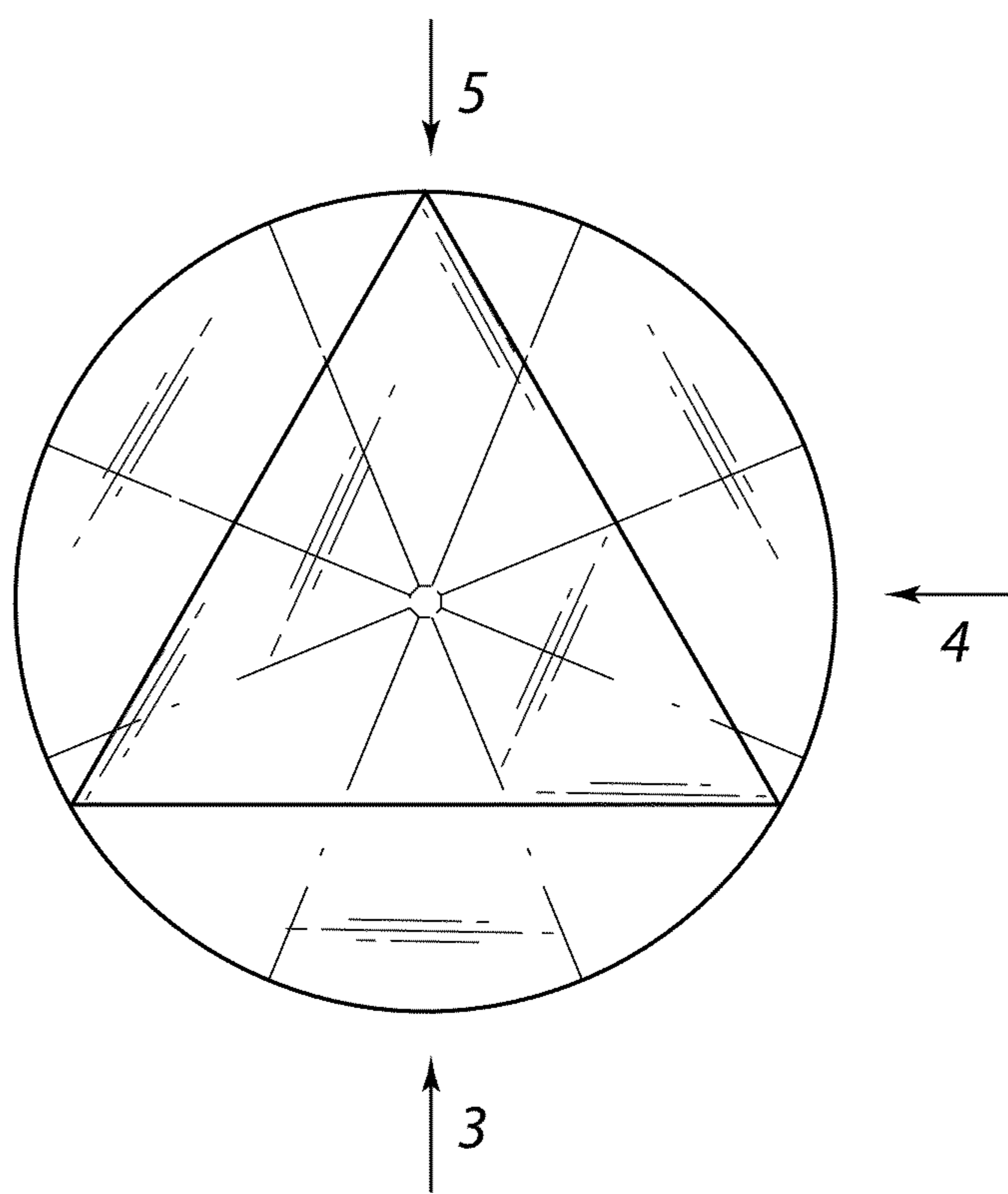


FIG. 6

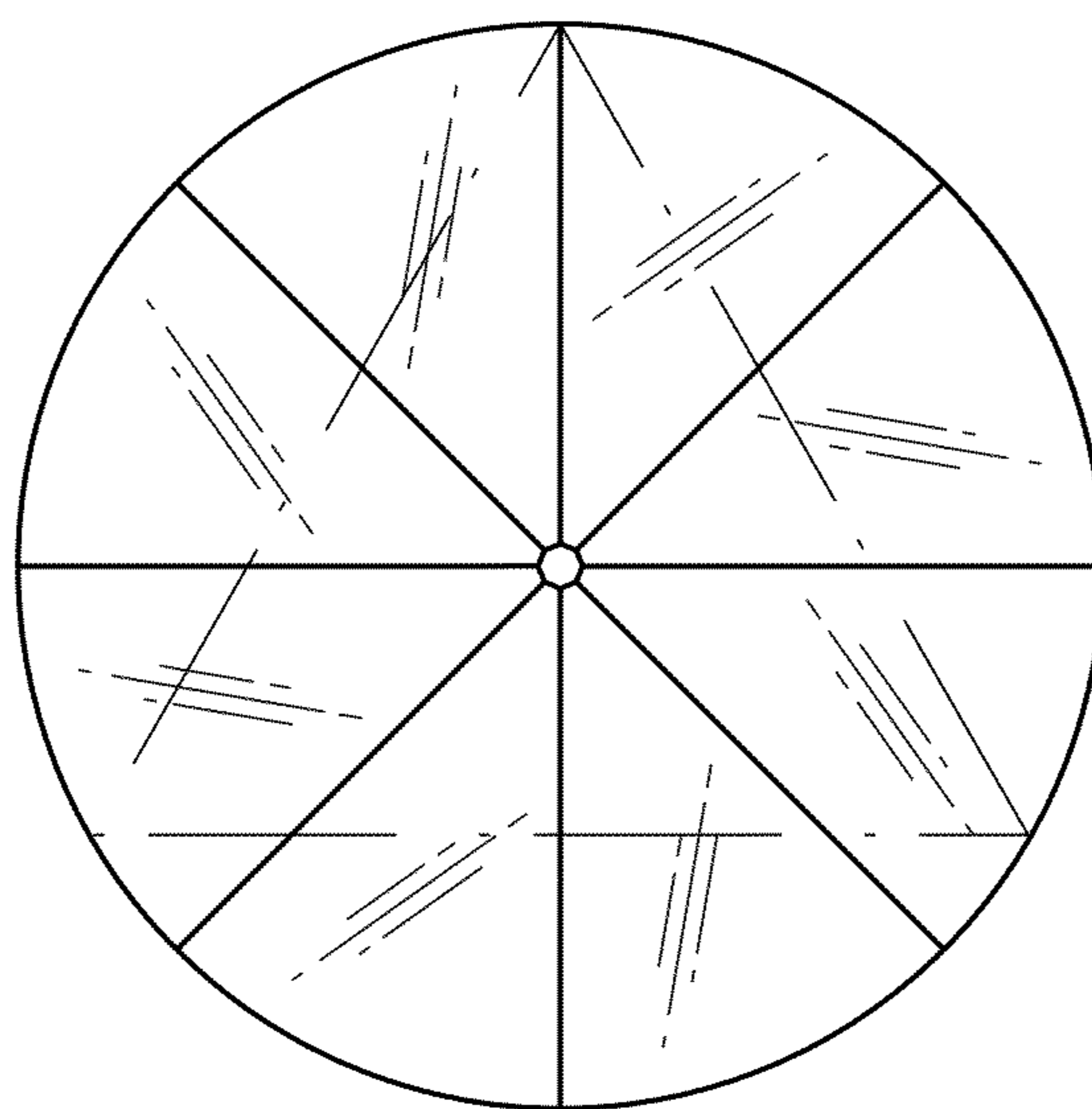


FIG. 7