



US00D738251S

(12) **United States Design Patent**  
**Oh**

(10) **Patent No.:** **US D738,251 S**

(45) **Date of Patent:** **\*\* Sep. 8, 2015**

(54) **LIGHT CLASP**

(71) Applicant: **Knottology, LLC**, Kalamazoo, MI (US)

(72) Inventor: **Hyeon Jin Oh**, Kalamazoo, MI (US)

(73) Assignee: **KNOTTOLOGY, LLC**, Kalamazoo, MI (US)

(\*\*) Term: **14 Years**

(21) Appl. No.: **29/473,263**

(22) Filed: **Nov. 20, 2013**

**Related U.S. Application Data**

(63) Continuation-in-part of application No. PCT/US2013/040366, filed on May 9, 2013.

(51) **LOC (10) Cl.** ..... **11-01**

(52) **U.S. Cl.**  
USPC ..... **D11/87**

(58) **Field of Classification Search**  
USPC ..... D11/1-2, 7, 40-44, 46-49, 53, 56, 57,  
D11/59-61, 63, 65, 79-83, 86-87, 89-90,  
D11/91-92, 99, 101, 106, 114-116,  
D11/200-201; 63/18-20  
CPC ..... A44C 5/02  
See application file for complete search history.

(56) **References Cited**

**U.S. PATENT DOCUMENTS**

3,947,932	A *	4/1976	Flynn	24/616
D264,828	S *	6/1982	Gray	D11/87
4,543,692	A *	10/1985	Ode et al.	24/616
4,881,305	A *	11/1989	Rivera	24/616
5,231,740	A *	8/1993	Mohebkhosravi	24/616
D360,848	S *	8/1995	Koven	D11/87
D373,325	S *	9/1996	Koven	D11/87
D378,069	S *	2/1997	Koven	D11/87
5,890,497	A *	4/1999	Tsai	132/273
5,991,985	A *	11/1999	Galbreath	24/625
6,112,373	A *	9/2000	Steinhauer et al.	24/68 J
D482,635	S *	11/2003	Tejima	D11/87

\* cited by examiner

Primary Examiner — Zenia Bennett

(74) *Attorney, Agent, or Firm* — Conley Rose, P.C.

(57) **CLAIM**

I claim the ornamental designs for a light clasp, as shown and described.

**DESCRIPTION**

FIG. 1 is a perspective view of a light clasp in an open position;

FIG. 2 is a perspective view of the light clasp in a closed position;

FIG. 3 is a top plan view of the light clasp in the open position of FIG. 1;

FIG. 4 is a top plan view of the light clasp in the closed position of FIG. 2;

FIG. 5 is a bottom plan view of the light clasp in the open position of FIG. 1;

FIG. 6 is a bottom plan view of the light clasp in the closed position of FIG. 2;

FIG. 7 is a right side elevation view of the light clasp in the open position of FIG. 1;

FIG. 8 is a right side elevation view of the light clasp in the closed position of FIG. 2;

FIG. 9 is a left side elevation view of the light clasp in the open position of FIG. 1;

FIG. 10 is a left side elevation view of the light clasp in the closed position of FIG. 2;

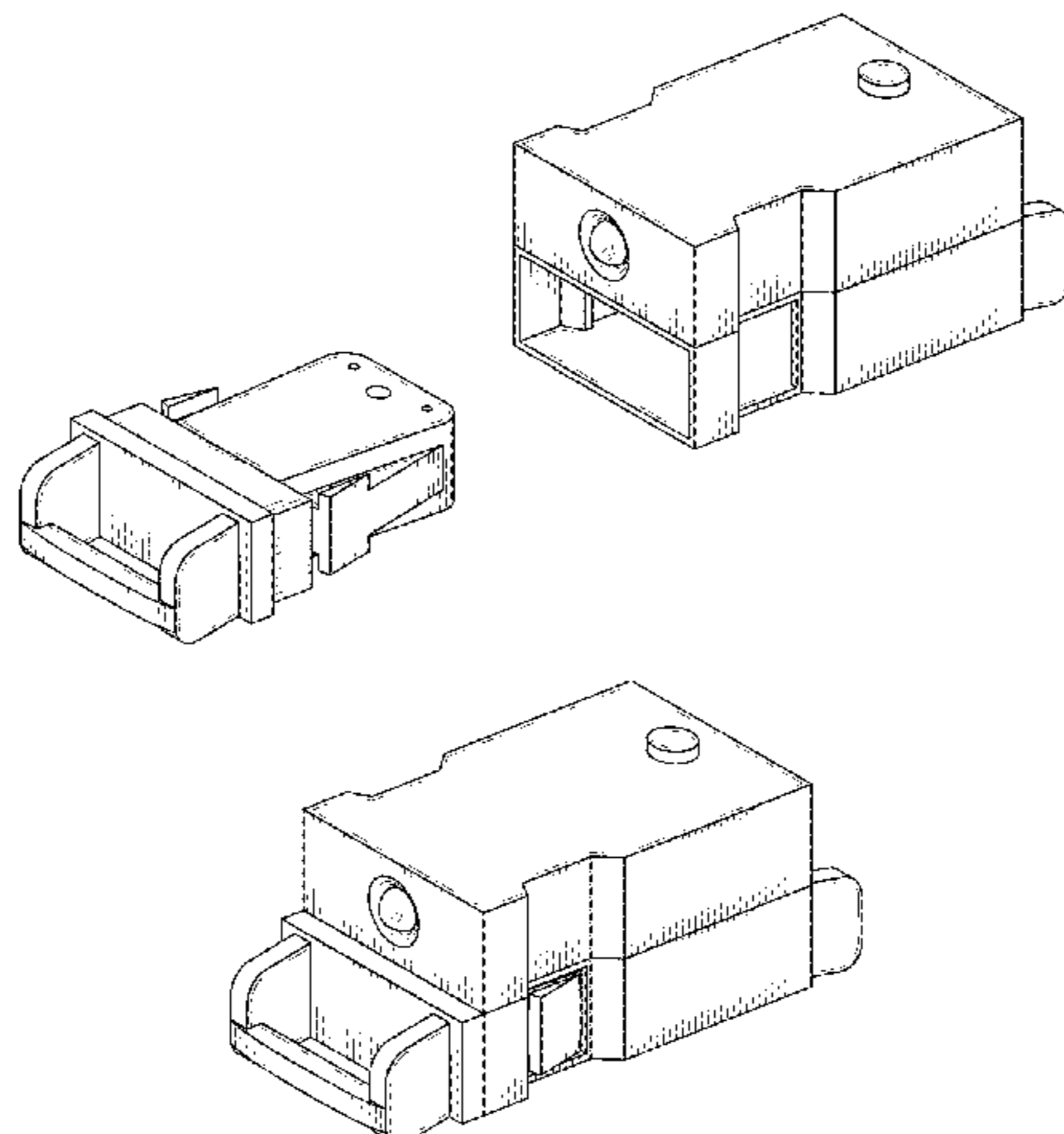
FIG. 11 is a front elevation view of the light clasp in the open position of FIG. 1;

FIG. 12 is a front elevation view of the light clasp in the closed position of FIG. 2;

FIG. 13 is a back elevation view of the light clasp in the open position of FIG. 1; and,

FIG. 14 is a back elevation view of the light clasp in the closed position of FIG. 2.

**1 Claim, 4 Drawing Sheets**



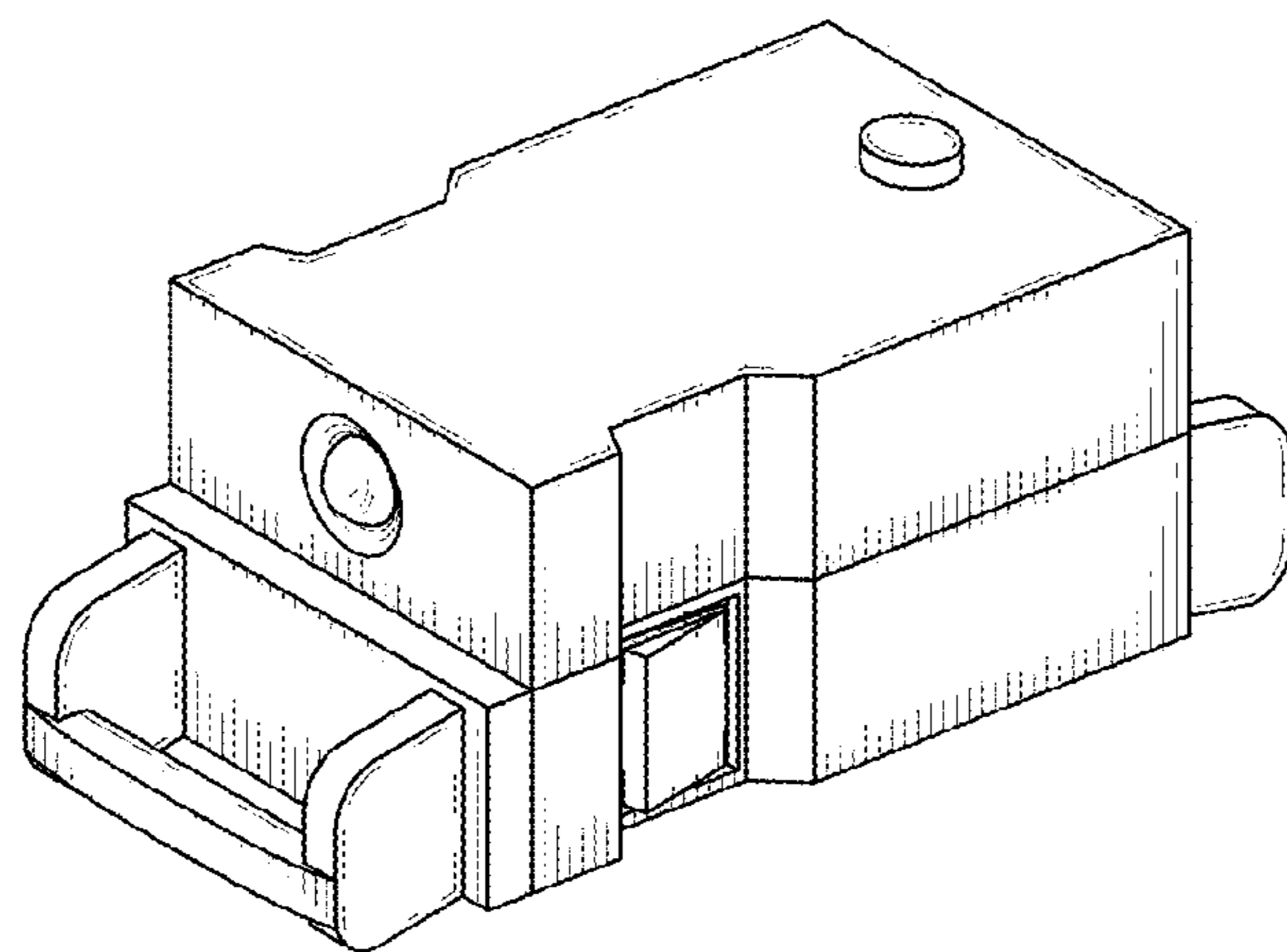
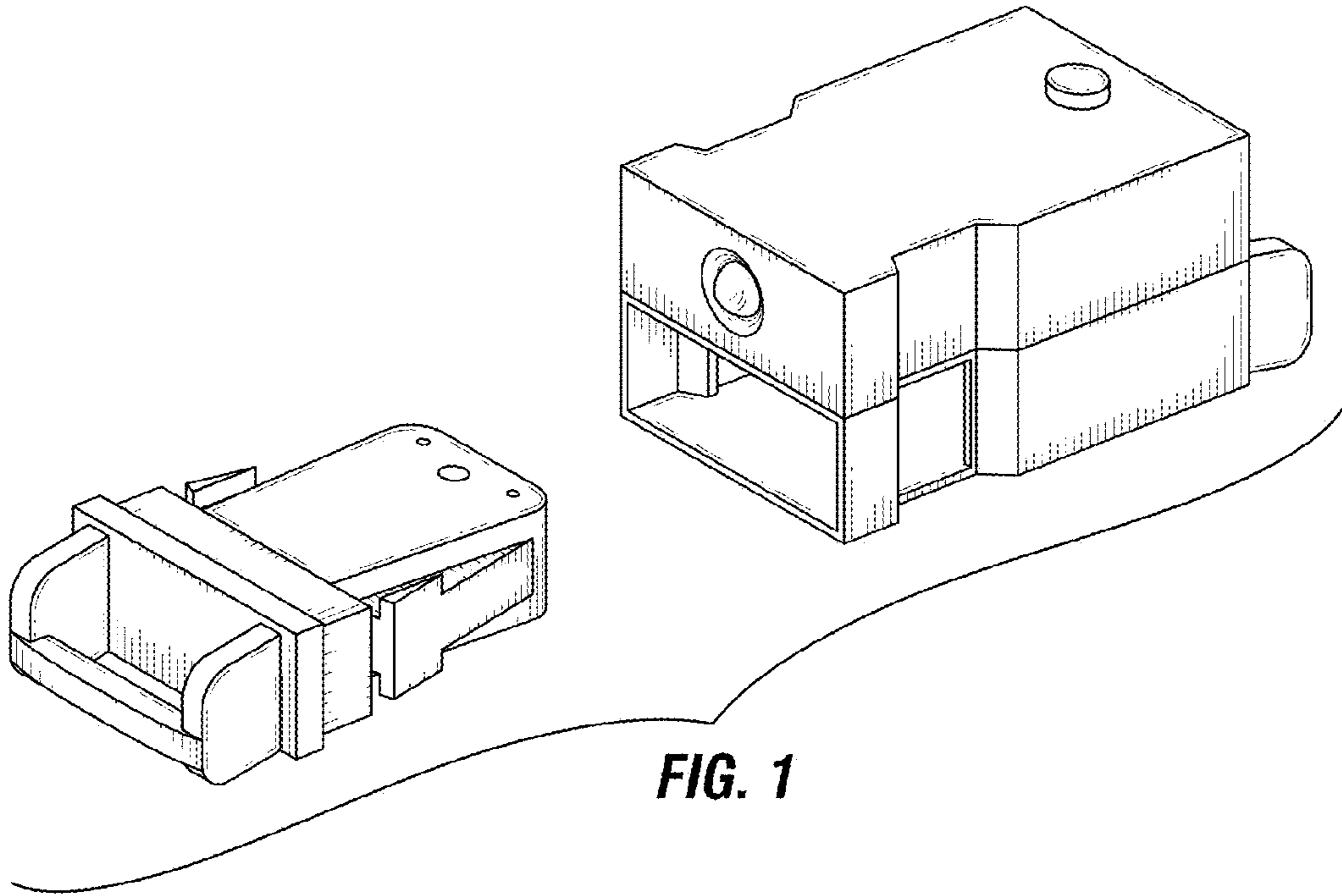
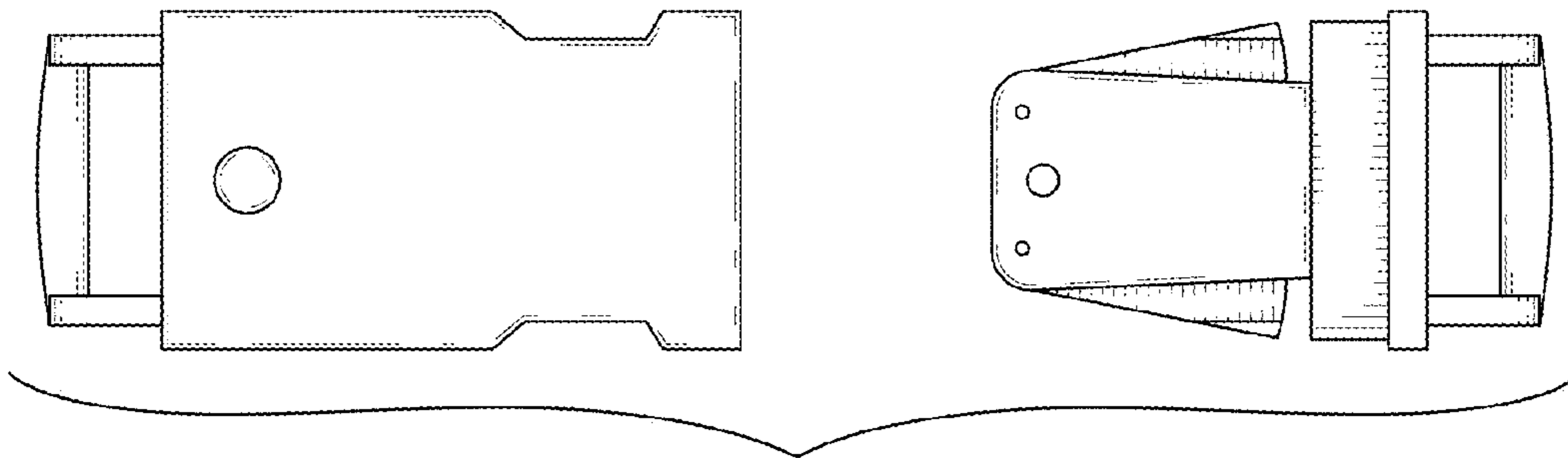
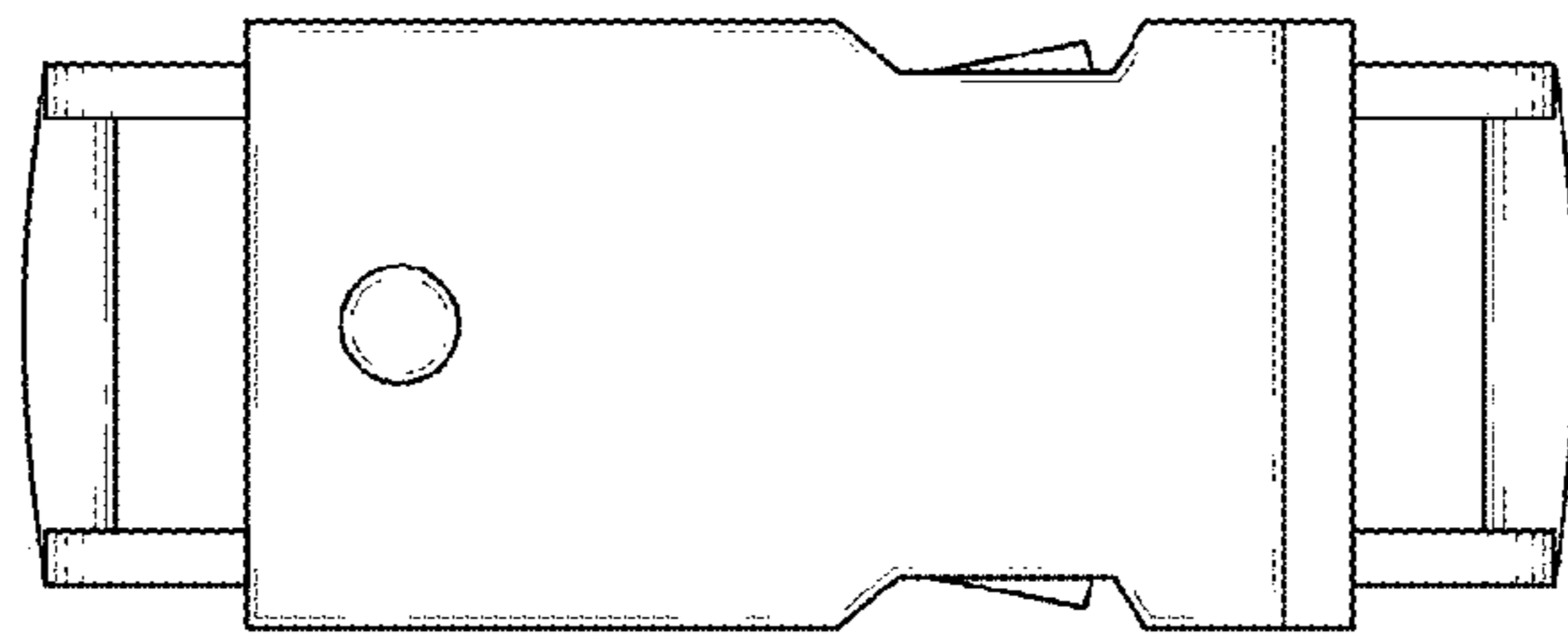


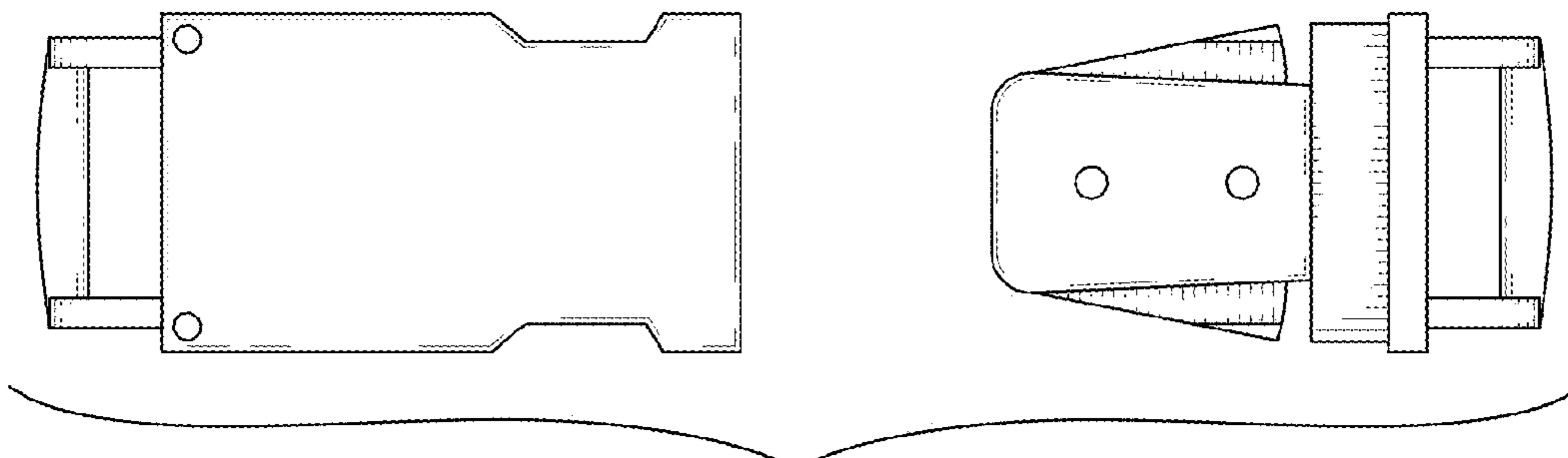
FIG. 2



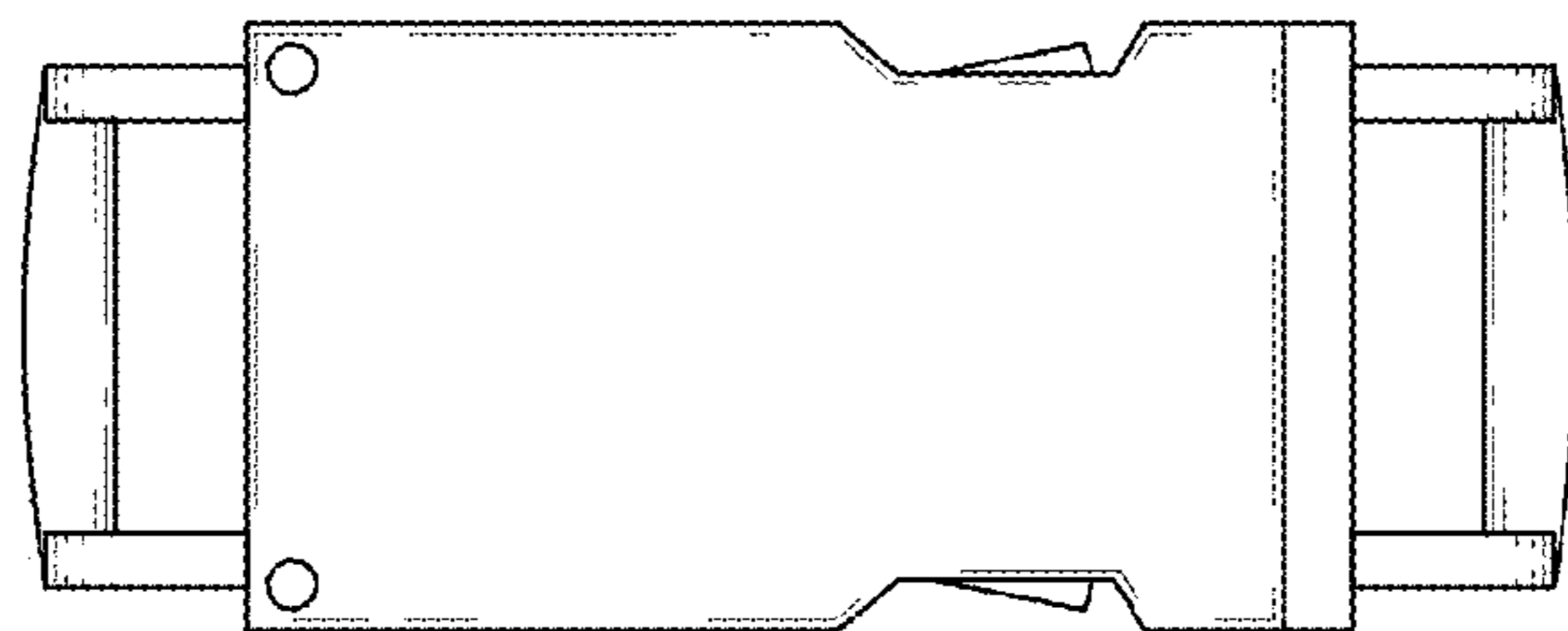
**FIG. 3**



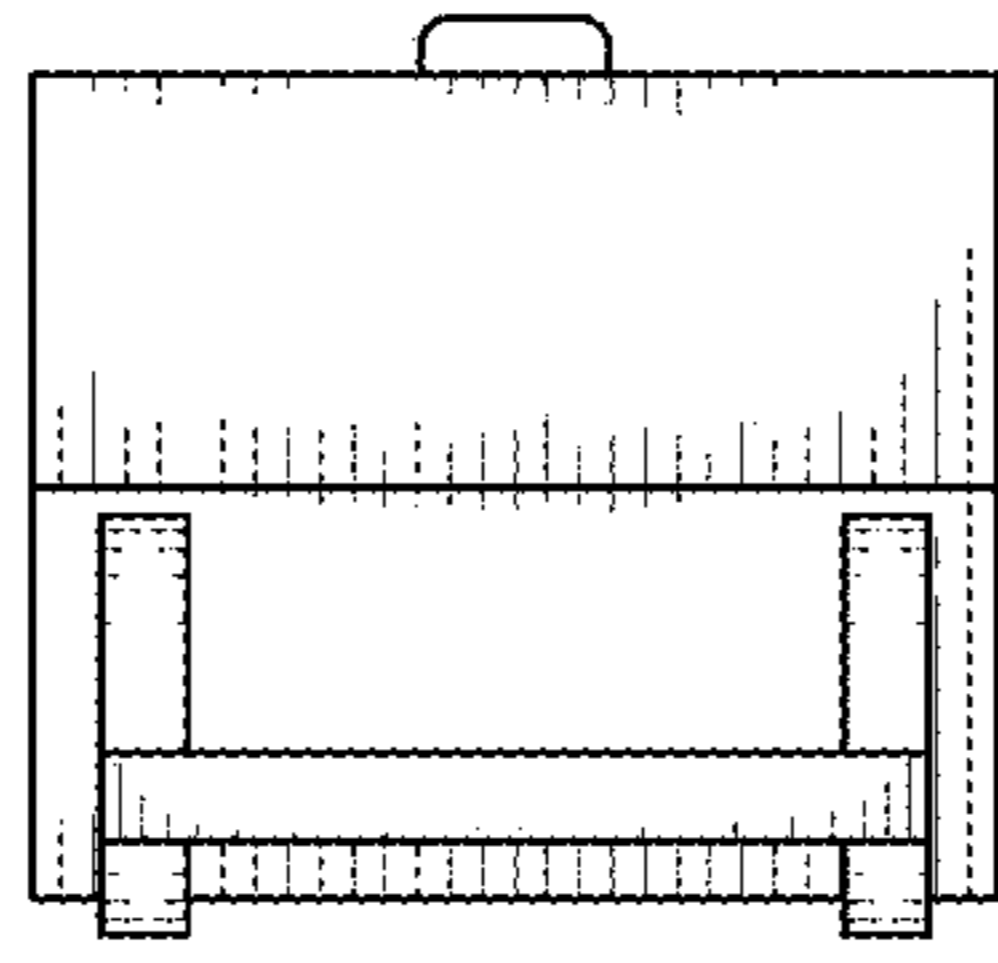
**FIG. 4**



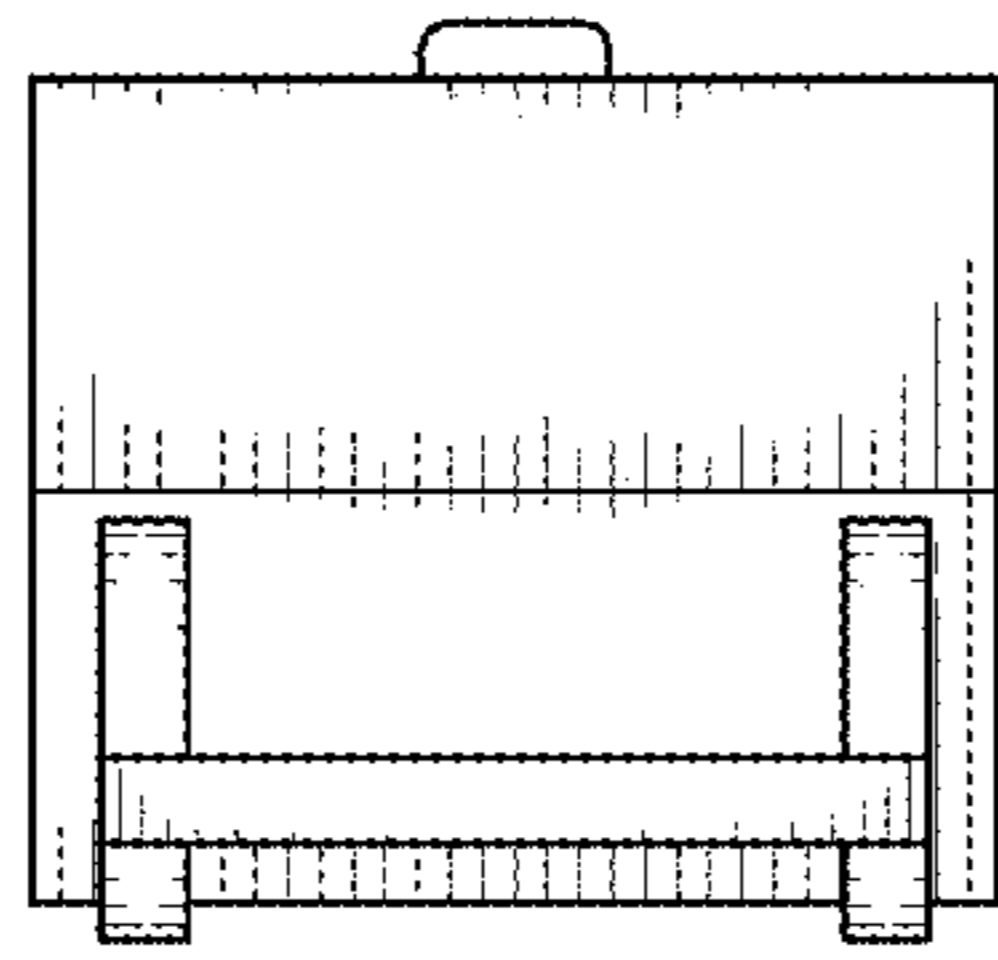
**FIG. 5**



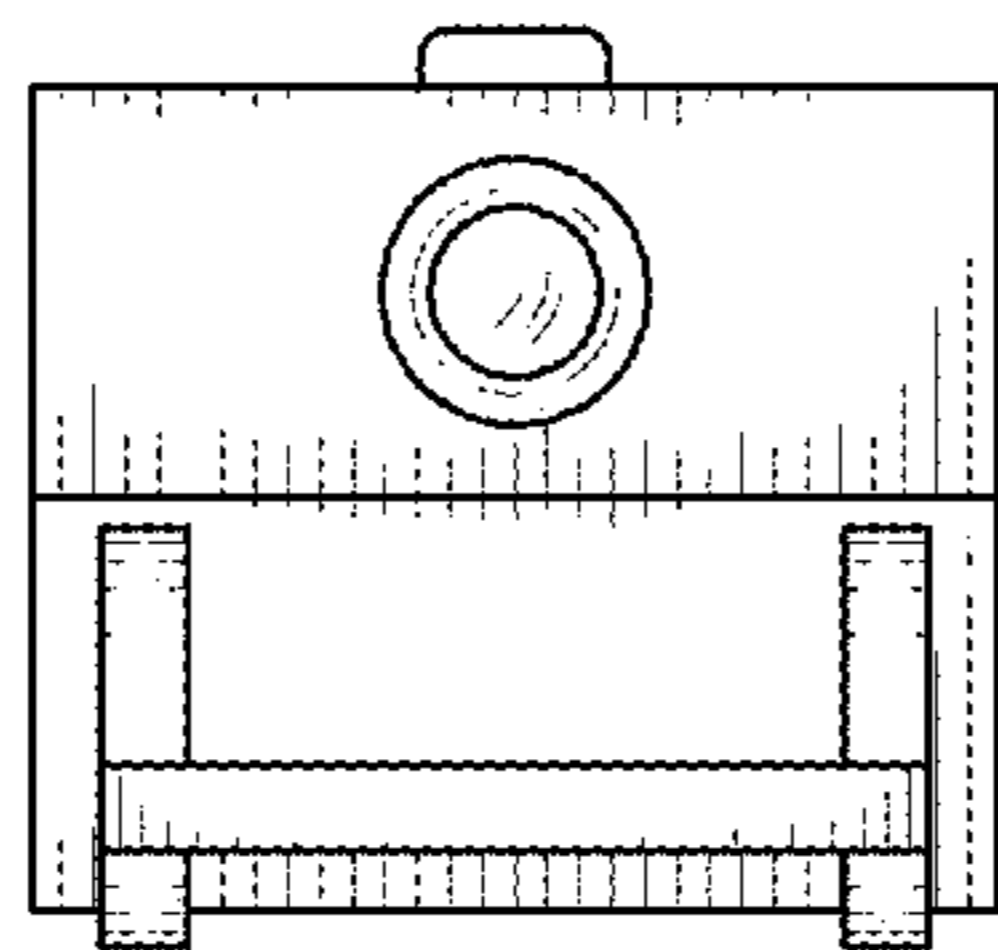
**FIG. 6**



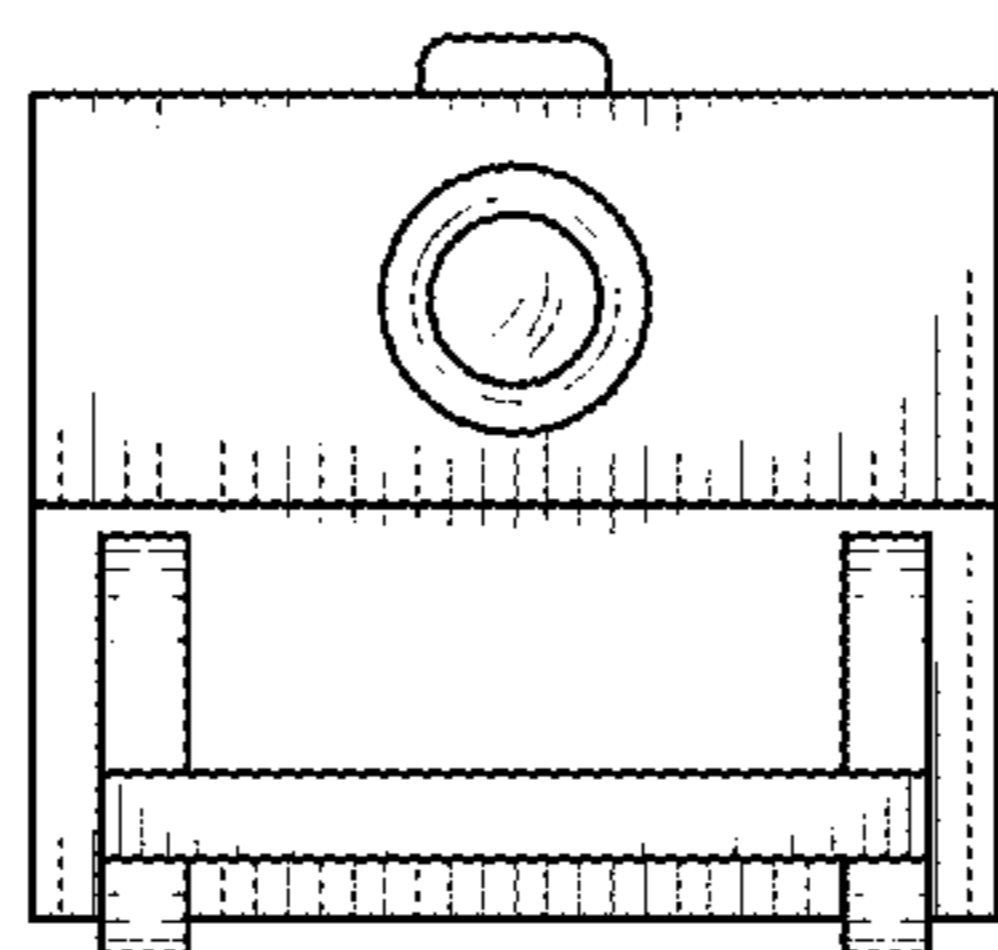
**FIG. 7**



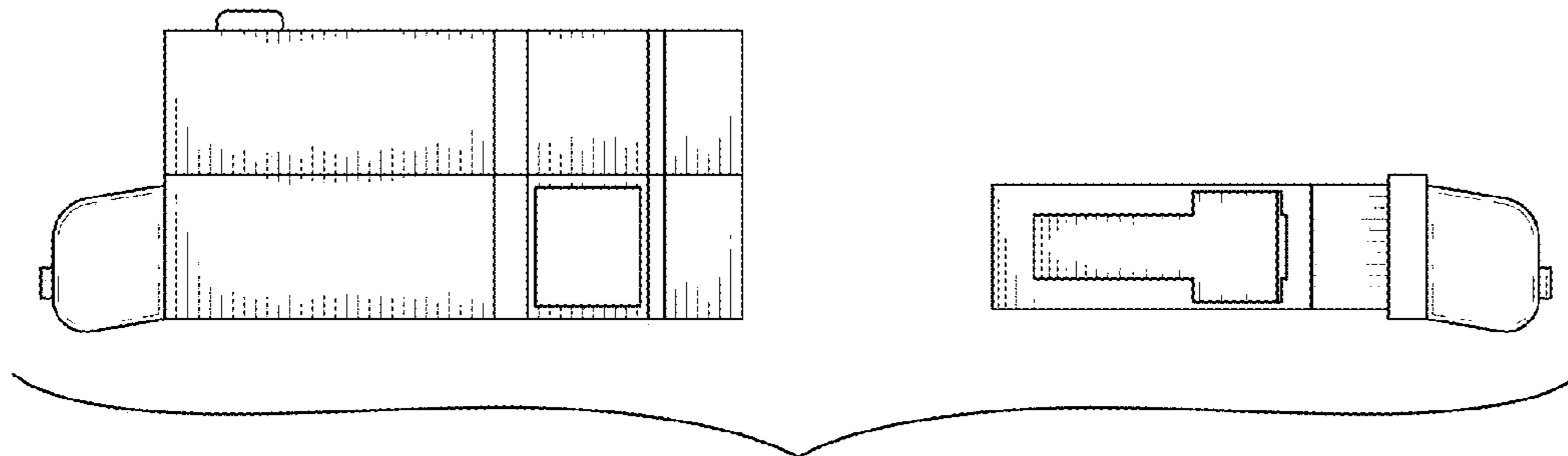
**FIG. 8**



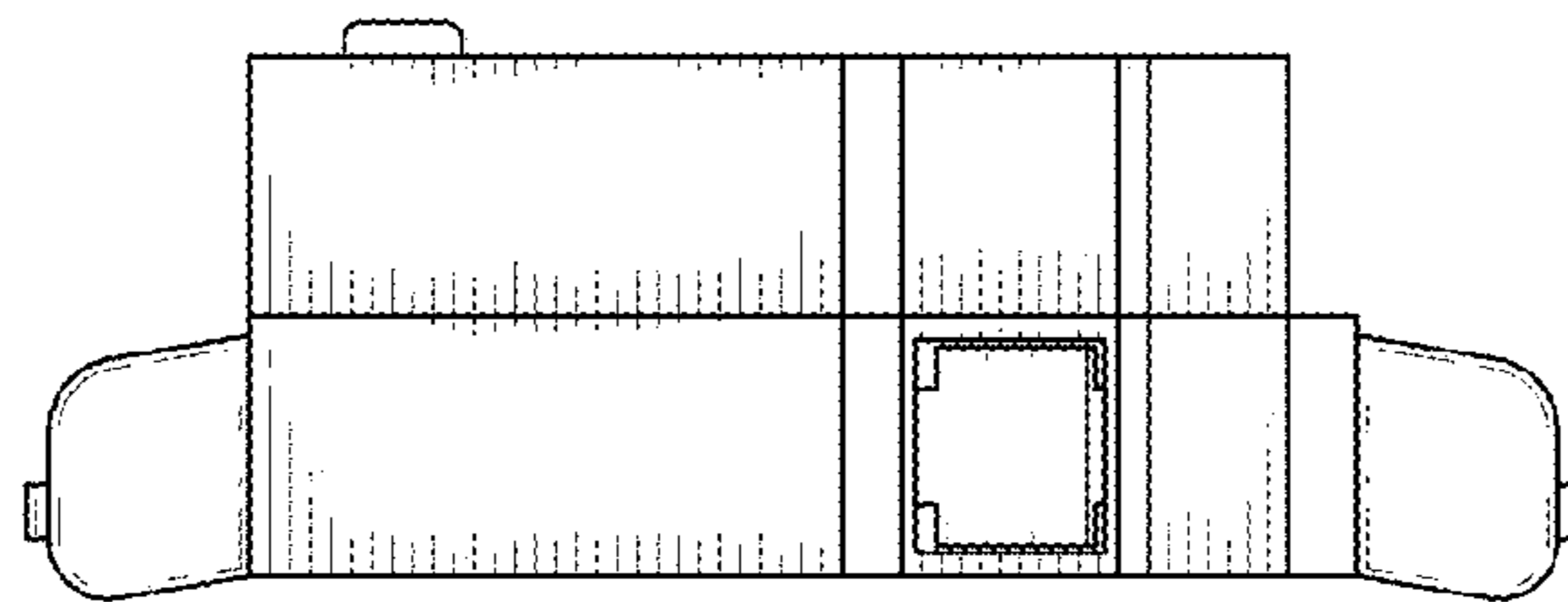
**FIG. 9**



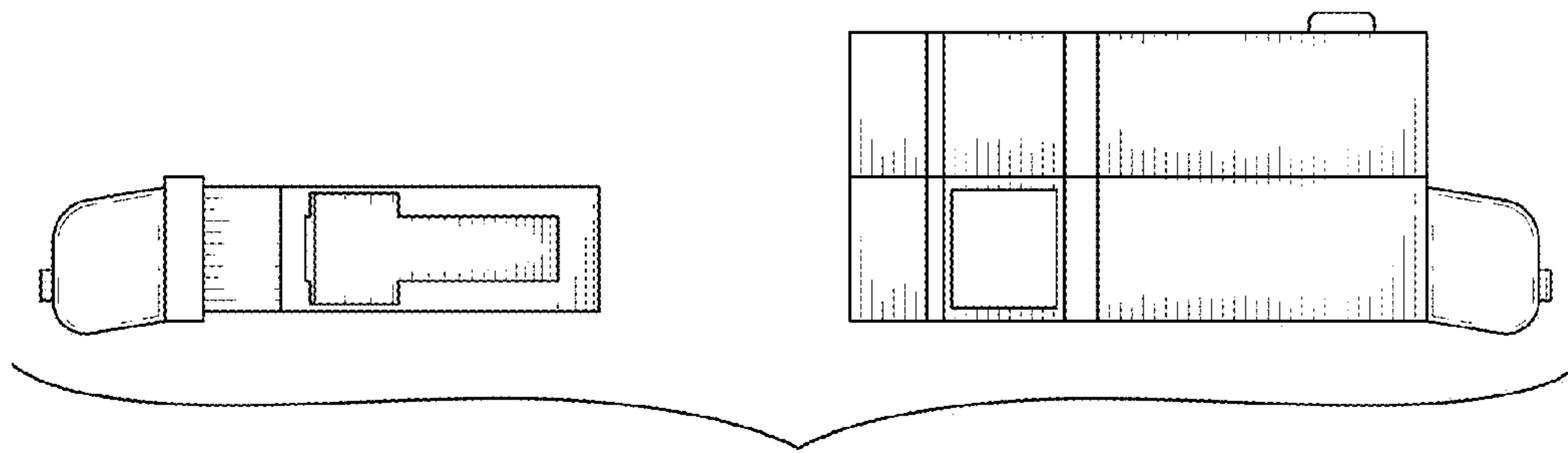
**FIG. 10**



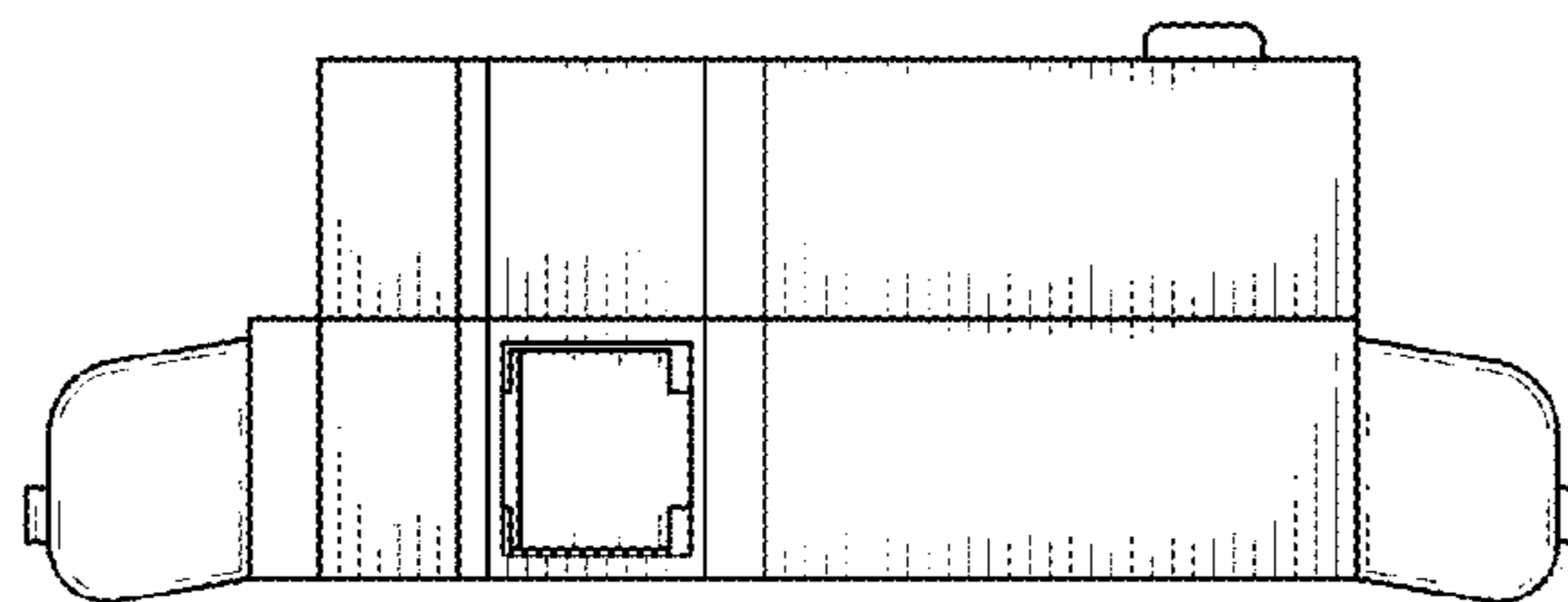
**FIG. 11**



**FIG. 12**



**FIG. 13**



**FIG. 14**