

US00D738248S

(12) **United States Design Patent**
Nagel

(10) **Patent No.:** **US D738,248 S**

(45) **Date of Patent:** **** Sep. 8, 2015**

(54) **ADHESIVE PAD FOR RETAIL SENSOR**

(71) Applicant: **Thomas O. Nagel**, Rockford, IL (US)

(72) Inventor: **Thomas O. Nagel**, Rockford, IL (US)

(73) Assignee: **Southern Imperial, Inc.**, Rockford, IL (US)

(**) Term: **14 Years**

(21) Appl. No.: **29/448,449**

(22) Filed: **Mar. 12, 2013**

(51) **LOC (10) Cl.** **10-05**

(52) **U.S. Cl.**
USPC **D10/121**

(58) **Field of Classification Search**
USPC D10/104.1, 106.6, 121, 194.2, 106.9
See application file for complete search history.

(56) **References Cited**

U.S. PATENT DOCUMENTS

D567,694 S *	4/2008	Myers	D10/121
D702,141 S *	4/2014	Jung et al.	D10/65
D715,167 S *	10/2014	Busse	D10/70
D724,970 S *	3/2015	Hasegawa et al.	D10/70

* cited by examiner

Primary Examiner — George D Kirschbaum

(74) *Attorney, Agent, or Firm* — Reinhart Boerner Van Deuren P.C.

(57) **CLAIM**

I claim the ornamental design for the adhesive pad for retail sensor, as shown and described.

DESCRIPTION

FIG. 1 is a perspective view of the adhesive pad for retail sensor;

FIG. 2 is a top view thereof;

FIG. 3 is a front view thereof;

FIG. 4 is a side view thereof;

FIG. 5 is a bottom view thereof;

FIG. 6 is a side view thereof showing the side opposite that shown in FIG. 4;

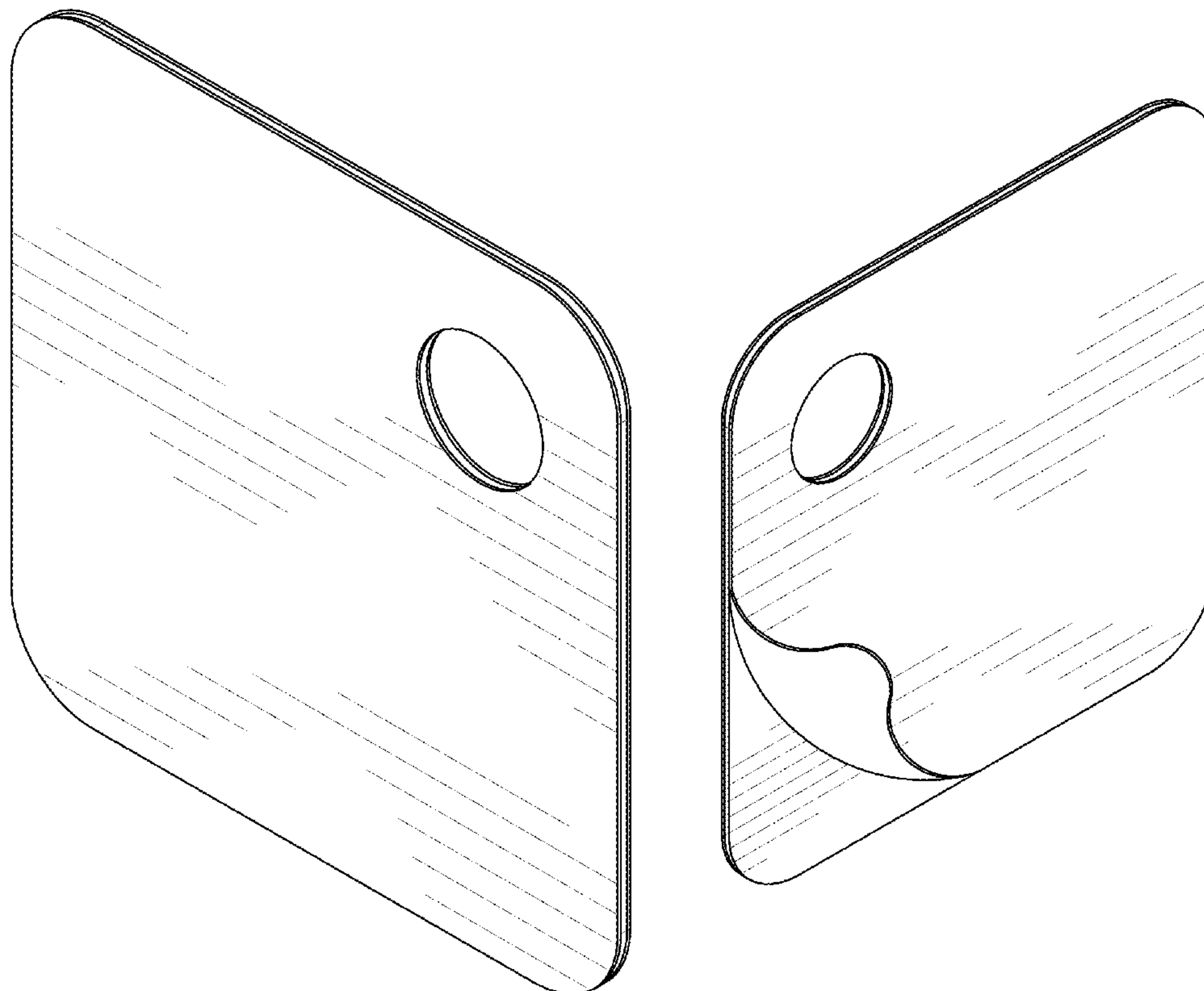
FIG. 7 is a back view thereof;

FIG. 8 is a perspective view showing the design in an alternate position;

FIG. 9 is a second perspective view showing the design in an alternate position; and,

FIG. 10 is an enlarged side view taken along the bottom corner of the design as seen in FIG. 4.

1 Claim, 4 Drawing Sheets



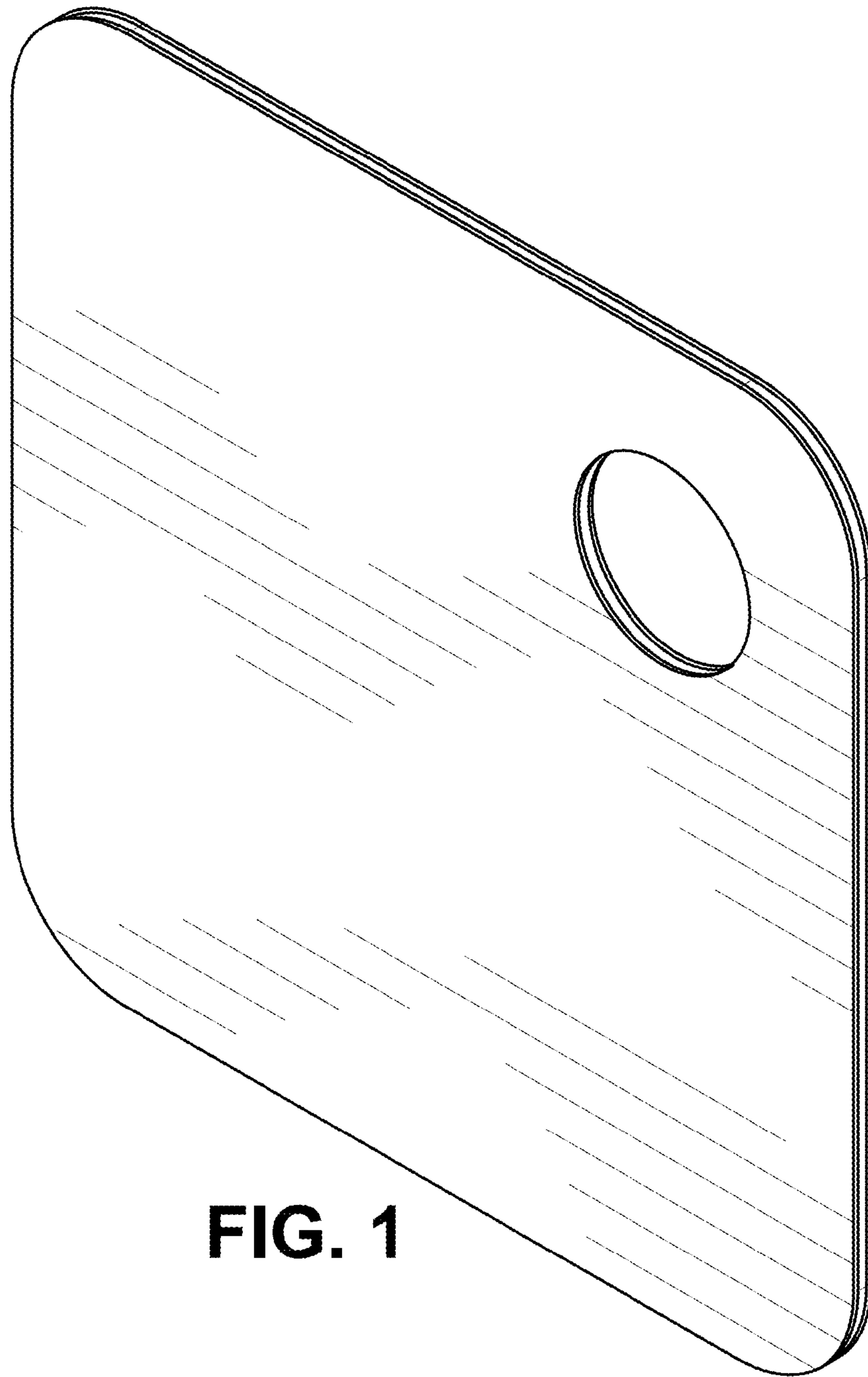


FIG. 1

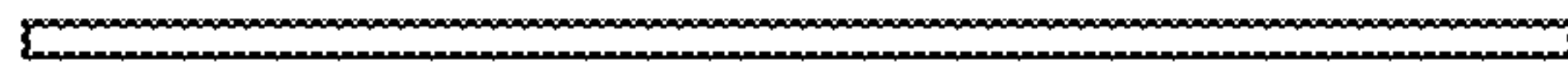


FIG. 2

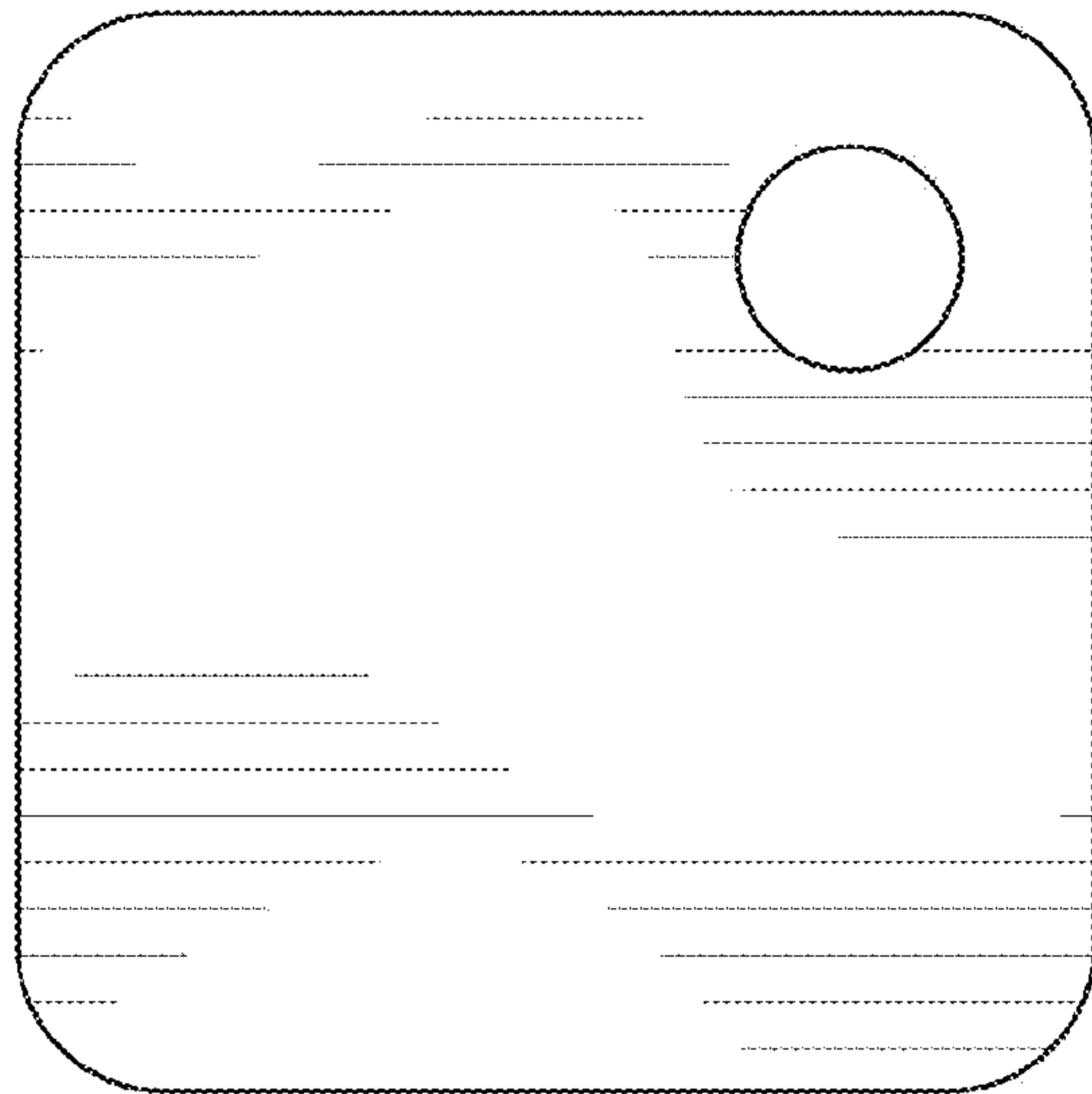


FIG. 3



FIG. 5

FIG. 4



FIG. 6

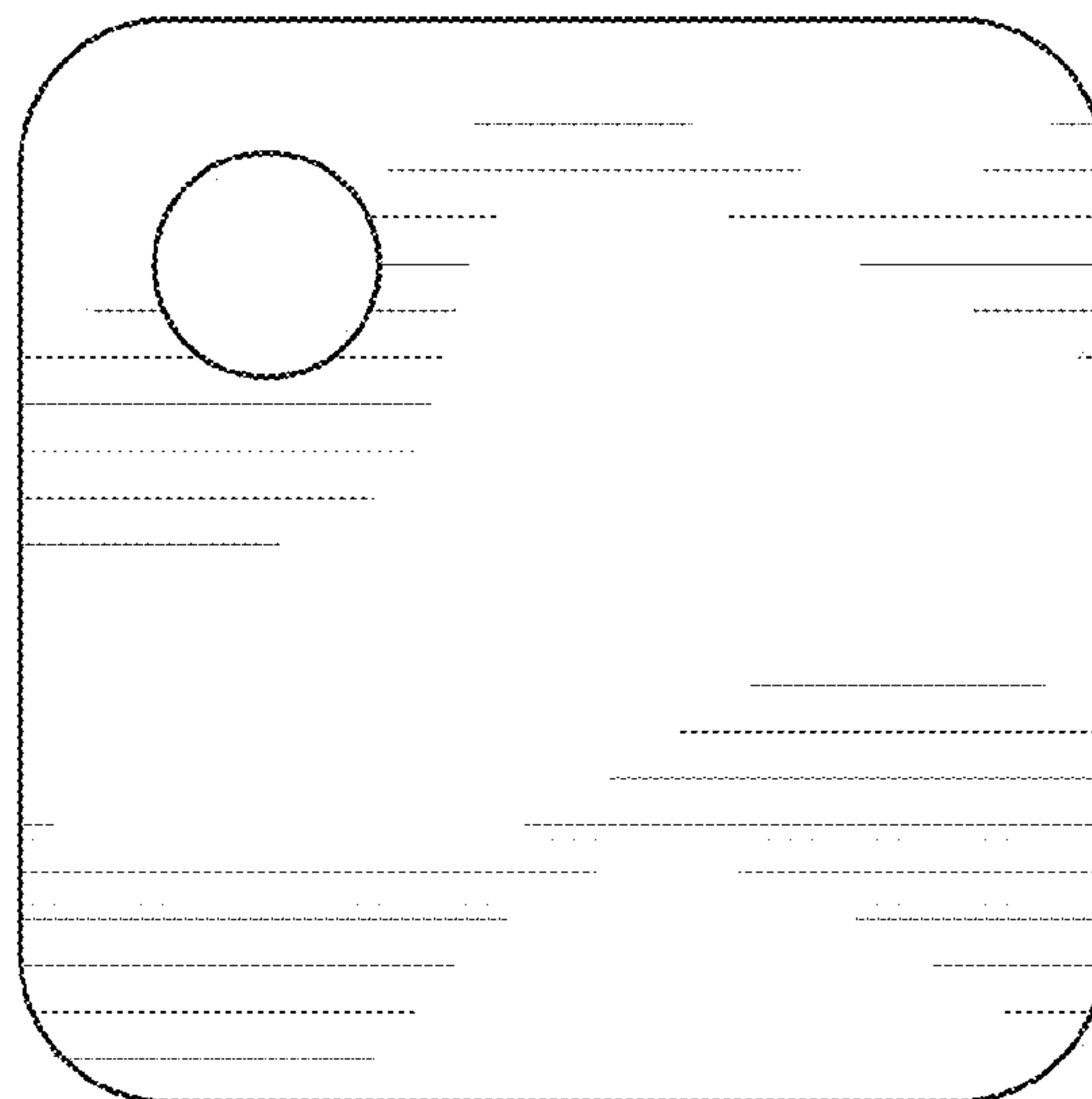


FIG. 7

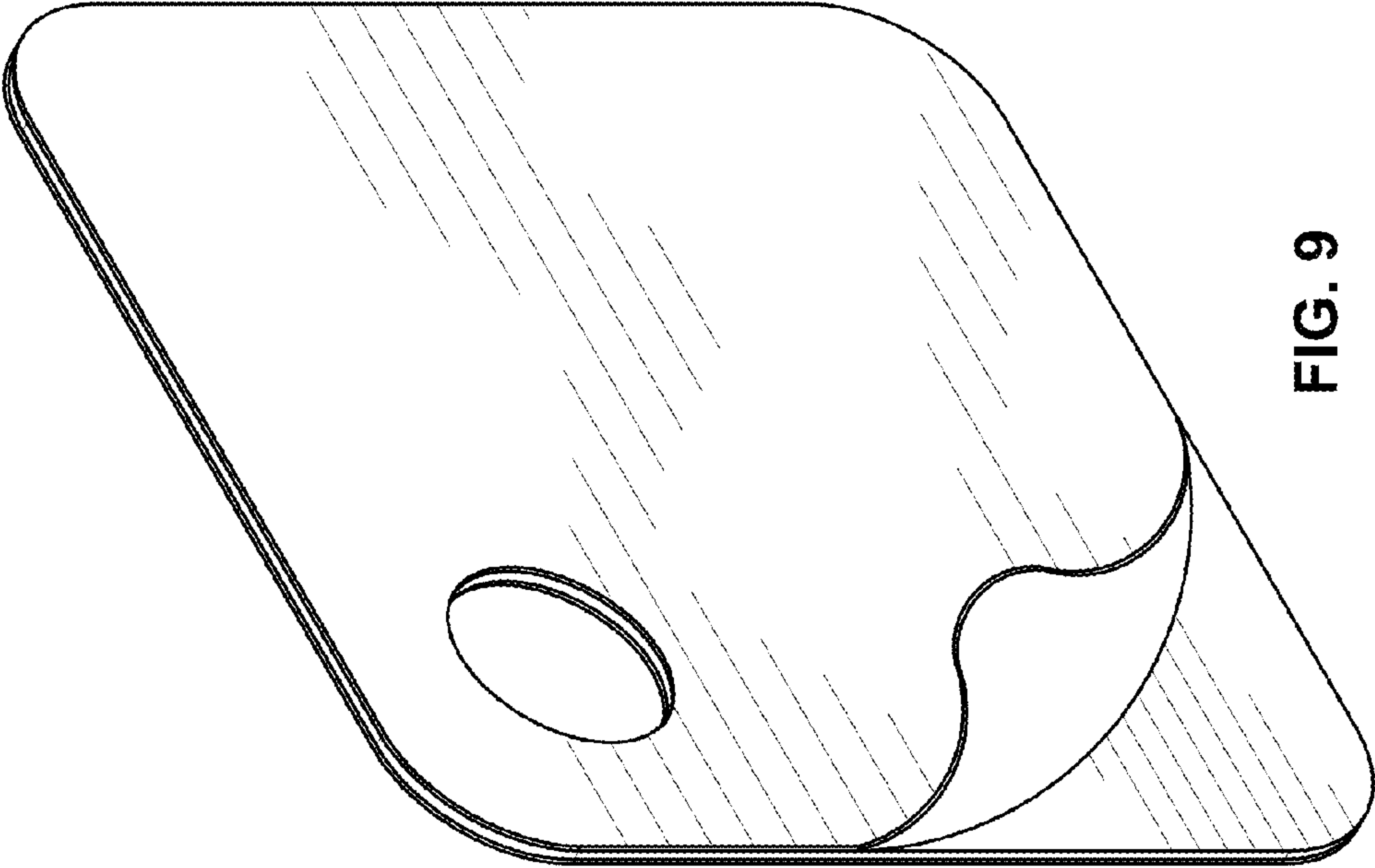


FIG. 9

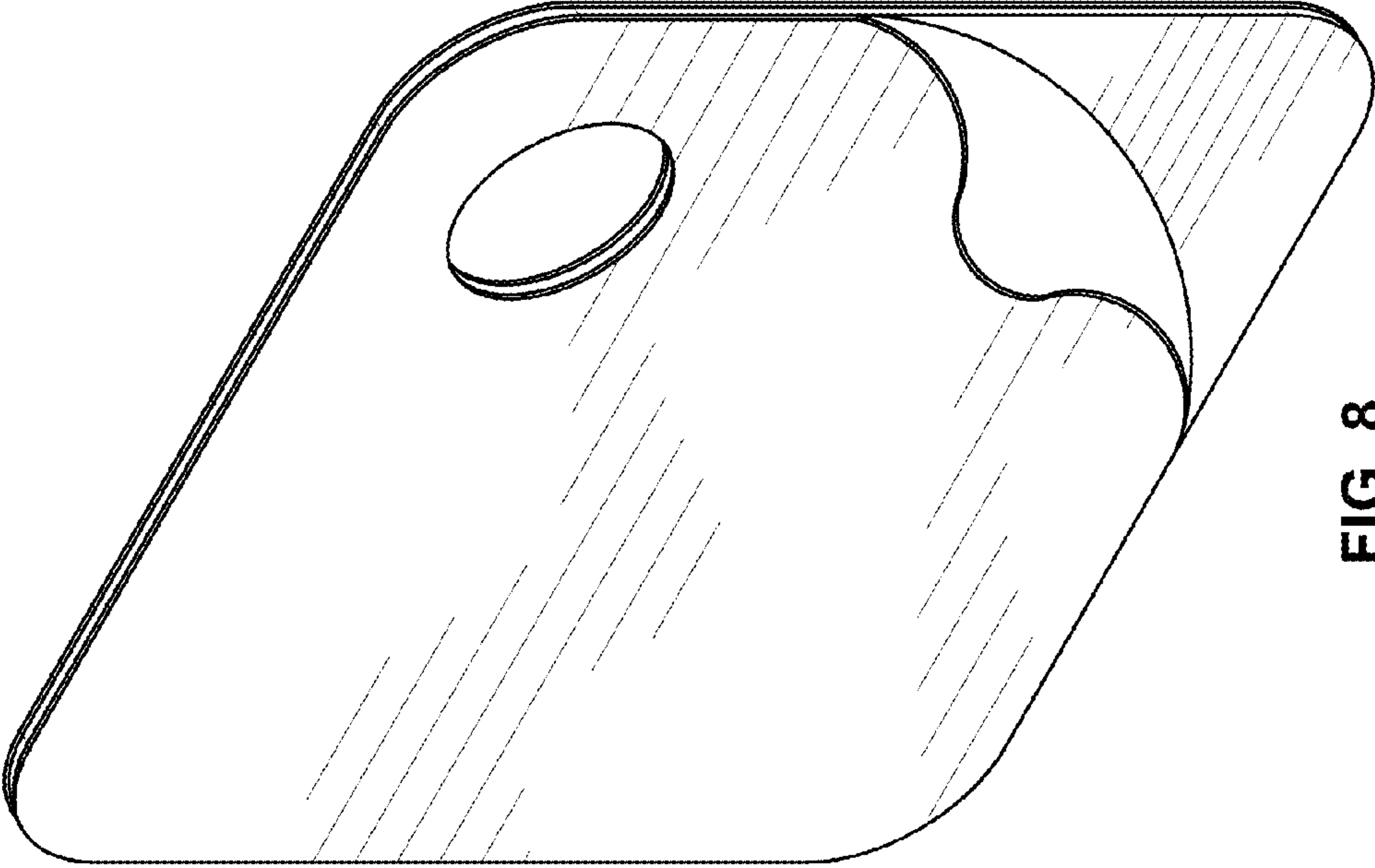


FIG. 8

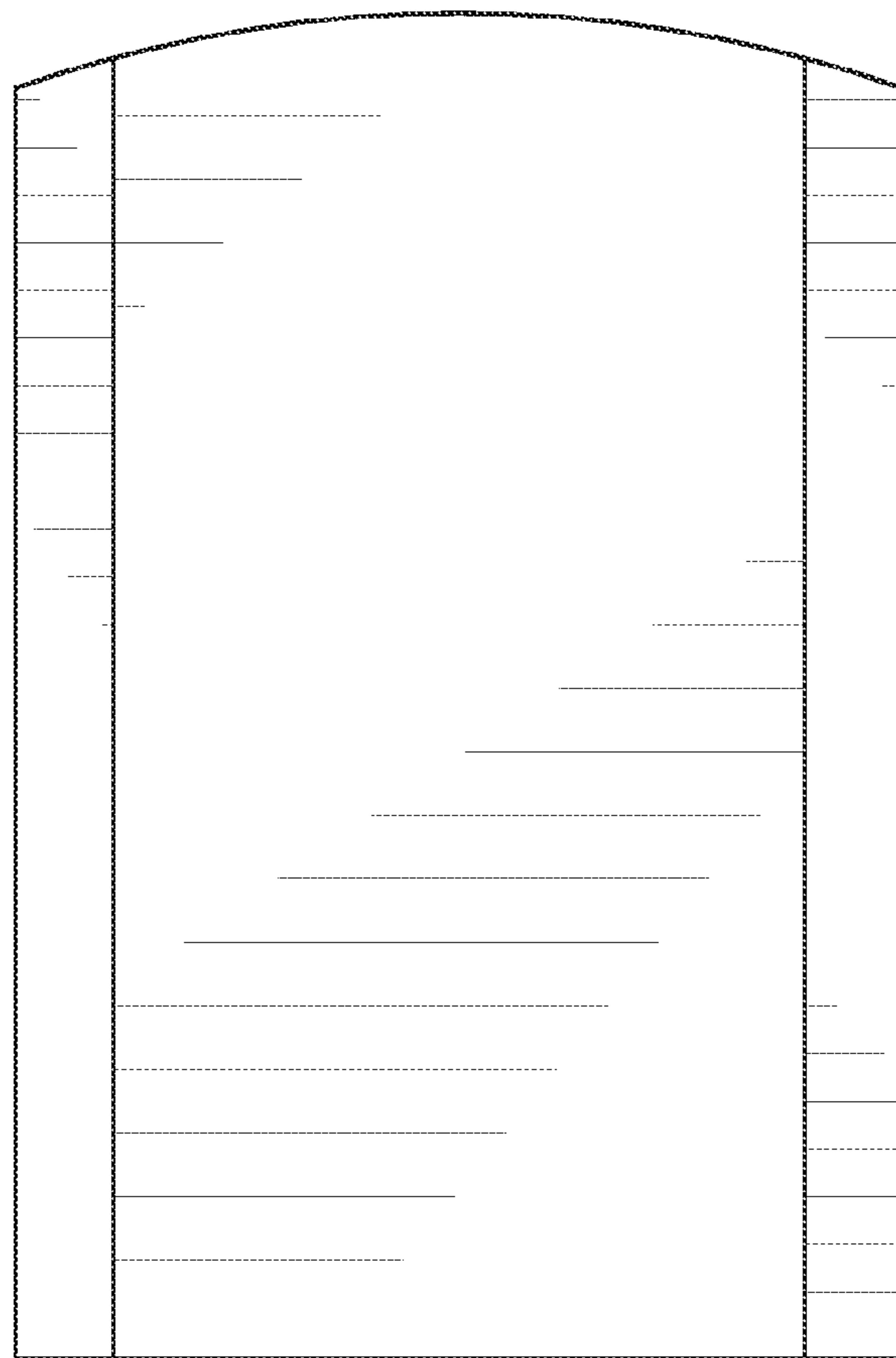


FIG. 10