



US00D738246S

(12) **United States Design Patent**
McDonald et al.

(10) **Patent No.:** **US D738,246 S**
(45) **Date of Patent:** **** Sep. 8, 2015**

(54) **IRIS IMAGING DEVICE**
(71) Applicant: **EYELOCK, INC.**, New York, NY (US)
(72) Inventors: **David McDonald**, Merrimack, NH (US);
Daniel Sanchez, Brooklyn, NY (US)
(73) Assignee: **Eyelock, Inc.**, Caguas, PR (US)
(**) Term: **14 Years**

6,619,813 B1 * 9/2003 Schnell 362/116
D544,988 S * 6/2007 Benensohn D26/89
D551,795 S * 9/2007 Compton et al. D26/89
7,319,246 B2 * 1/2008 Soules et al. 257/100
D565,232 S * 3/2008 Butler D26/85
D575,747 S * 8/2008 Abramovich et al. D13/168
D576,338 S * 9/2008 Levine D26/85
D588,484 S * 3/2009 Bandringa et al. D10/106.6
D589,463 S * 3/2009 Sykes D13/169
7,562,995 B1 * 7/2009 Levine 362/197

(Continued)

(21) Appl. No.: **29/478,513**
(22) Filed: **Jan. 6, 2014**
(51) **LOC (10) Cl.** **10-05**
(52) **U.S. Cl.**
USPC **D10/104.1**
(58) **Field of Classification Search**
USPC D26/9, 10, 12, 13, 15, 16, 24, 51, 61,
D26/72, 76, 80, 81, 85, 86, 88, 90, 113, 118,
D26/119, 120, 122, 128, 129, 138, 143,
D26/144; D13/180; D10/93, 114, 104
CPC B60Q 1/04; B60Q 1/26; F21S 8/026;
F21S 8/04; F21V 29/004; F21V 21/02;
F21V 21/04; F21V 29/2212; F21Y 2101/02
See application file for complete search history.

OTHER PUBLICATIONS

Vista Imaging VistaFA2E from Wayback Machine, image post date Jan. 17, 2011, site visited May 1, 2015, (online), <<http://web.archive.org/web/20110117164506/http://www.neurotechnology.com/eye-iris-scanner-vistafa2e.html>>.*

(Continued)

Primary Examiner — Kevin Rudzinski
Assistant Examiner — Sean D Lough
(74) *Attorney, Agent, or Firm* — John D. Lanza; Paul M. H. Pua; Foley & Lardner LLP

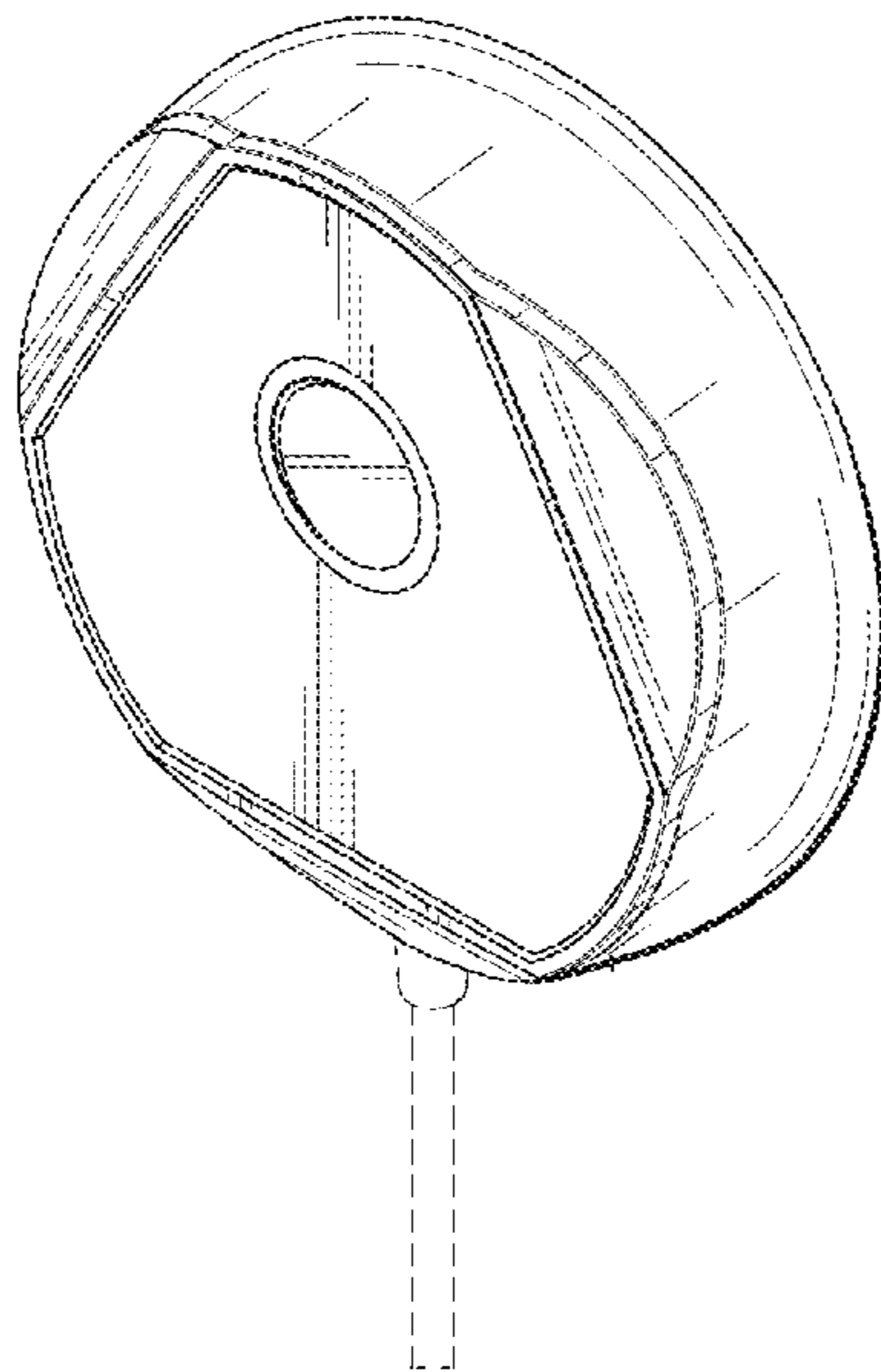
(57) **CLAIM**
The ornamental design for an IRIS imaging device, as shown and described.

(56) **References Cited**
U.S. PATENT DOCUMENTS
3,866,572 A * 2/1975 Gundlach 399/313
5,201,020 A * 4/1993 Kannabiran 385/113
D344,033 S * 2/1994 Davidge D10/106.9
D346,459 S * 4/1994 King D26/84
D354,924 S * 1/1995 Garner et al. D10/106.91
D374,658 S * 10/1996 Bever et al. D13/177
D378,200 S * 2/1997 Doppelt et al. D10/108
D424,728 S * 5/2000 Green et al. D26/63
6,222,191 B1 * 4/2001 Myron et al. 250/353
D460,950 S * 7/2002 Miller et al. D13/168

DESCRIPTION

FIG. 1 is a bottom plan view of the IRIS imaging device; FIG. 2 is a left side elevation view thereof; FIG. 3 is a top plan view thereof; FIG. 4 is a bottom, front left side perspective view thereof; FIG. 5 is a front elevation view thereof; and, FIG. 6 is a rear elevation view thereof. The broken lines in all FIGS. illustrate portions of the IRIS imaging device that form no part of the claimed design.

1 Claim, 2 Drawing Sheets



(56)

References Cited

U.S. PATENT DOCUMENTS

D610,479 S * 2/2010 Shi D10/106.91
 D617,667 S * 6/2010 Penix et al. D10/106.9
 D643,833 S * 8/2011 Lee et al. D14/223
 D657,275 S * 4/2012 Cowles et al. D10/70
 D664,456 S * 7/2012 Trine et al. D10/70
 D671,851 S * 12/2012 Treharne et al. D10/81
 8,356,920 B2 * 1/2013 Levine 362/421
 D678,217 S * 3/2013 Helm D13/162
 D680,015 S * 4/2013 Hauser et al. D10/106.9
 8,558,686 B2 * 10/2013 Glassman et al. 340/500
 D695,258 S * 12/2013 Hauser et al. D14/155
 D703,566 S * 4/2014 Chen et al. D10/106.5

D706,152 S * 6/2014 Ni et al. D10/106.6
 D715,171 S * 10/2014 Brigham et al. D10/106.5
 D725,612 S * 3/2015 Schlegel et al. D13/174
 2006/0132323 A1 * 6/2006 Grady 340/815.45
 2007/0229297 A1 * 10/2007 Leonard et al. 340/693.5
 2015/0091723 A1 * 4/2015 Fiedler et al. 340/521

OTHER PUBLICATIONS

Myris, image post date Jan. 18, 2014, site visited May 1, 2015, (online), <https://translate.google.com/translate?sl=pl&tl=en&js=y&prev=_t&hl=en&ie=UTF-8&u=http%3A%2F%2Ftechnowinki.onet.pl%2Fgadzety%2Fmyris-jedno-urzadzenie-zastapi-nam-wszystkie-hasla%2Fnb5qw&edit-text=>>.*

* cited by examiner

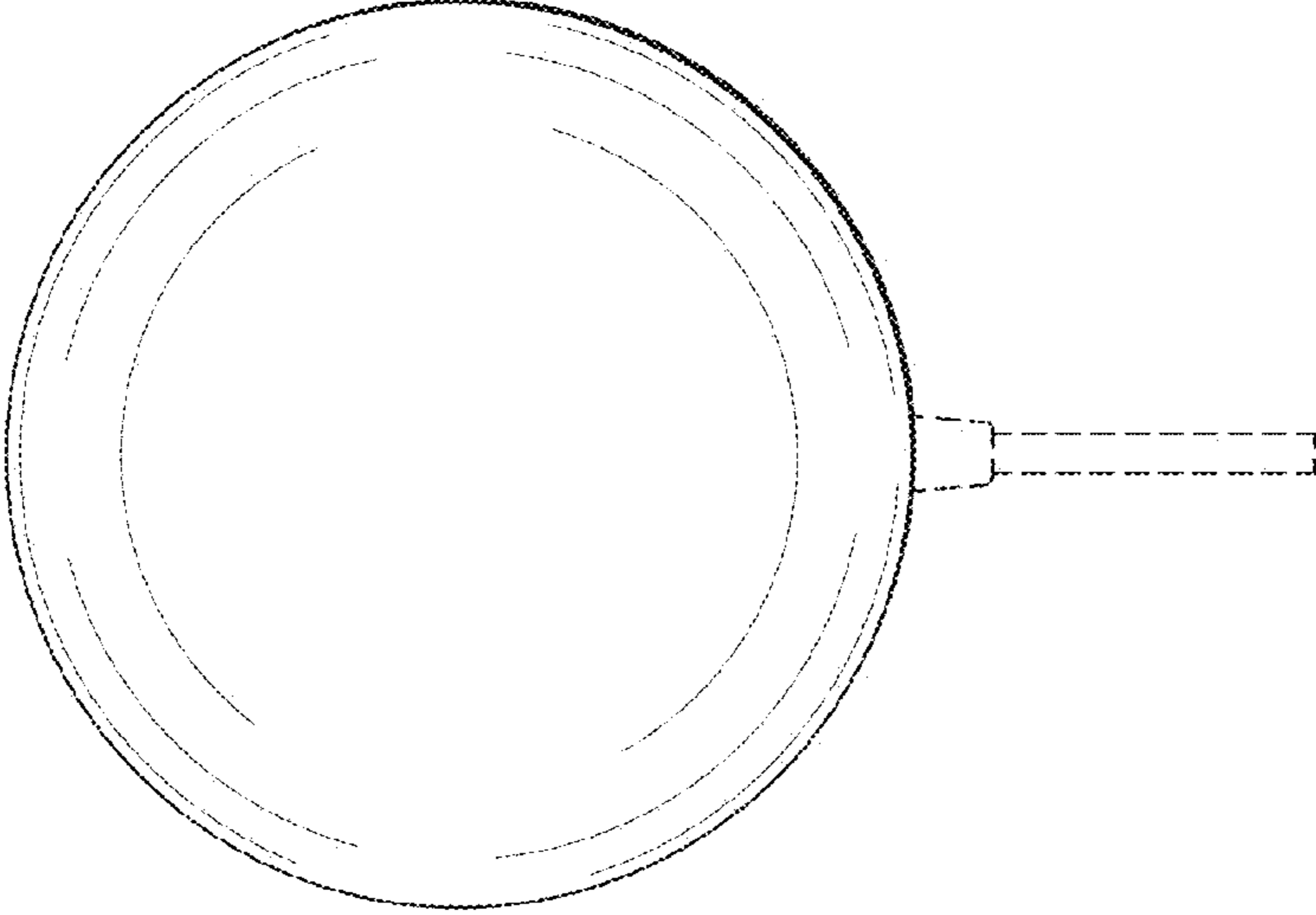


FIG. 3

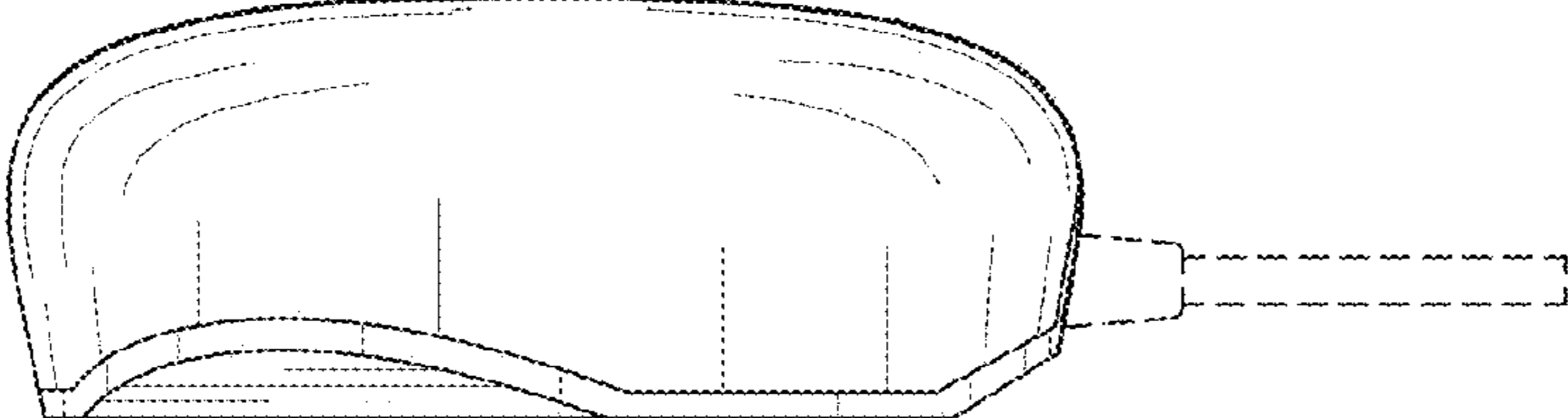


FIG. 2

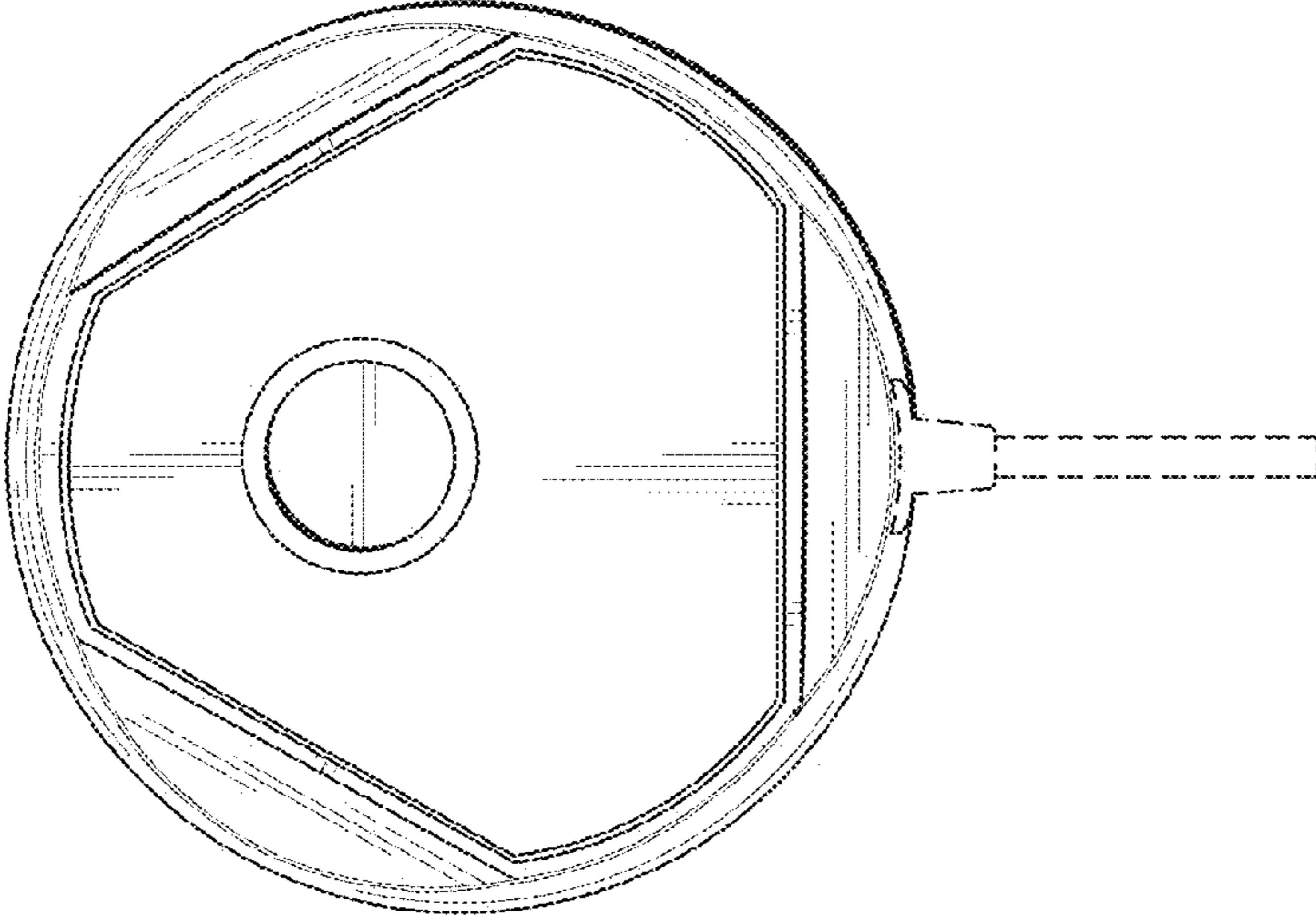


FIG. 1

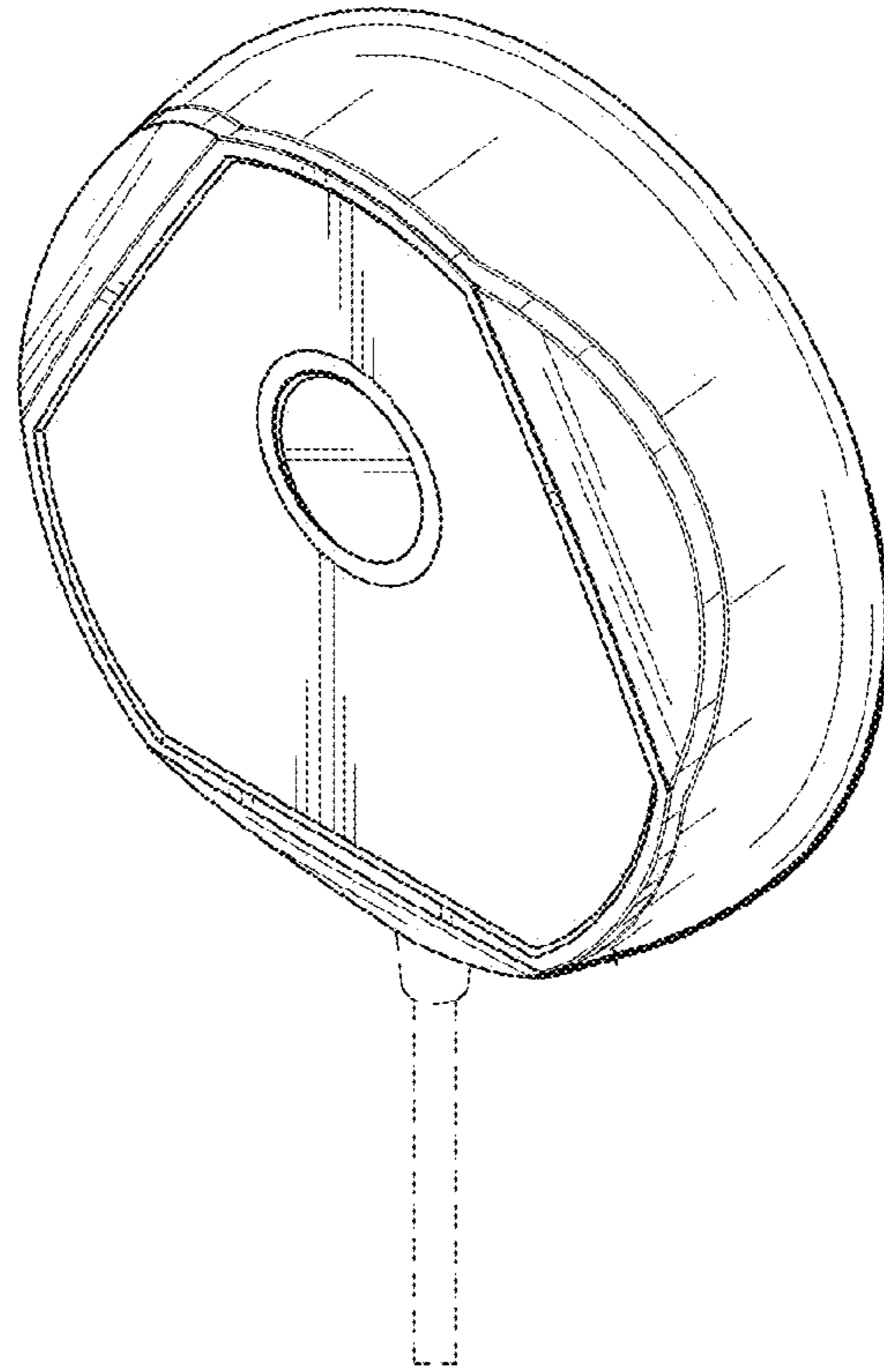


FIG. 4

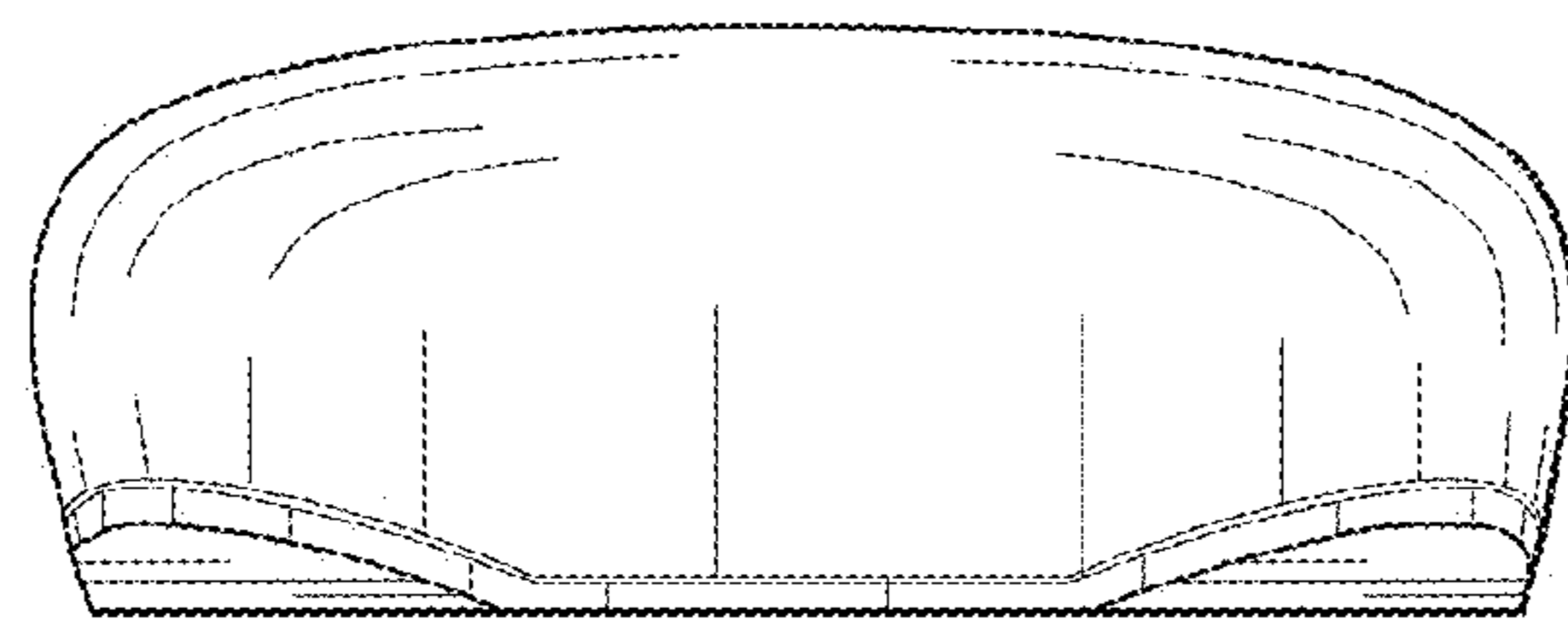


FIG. 5

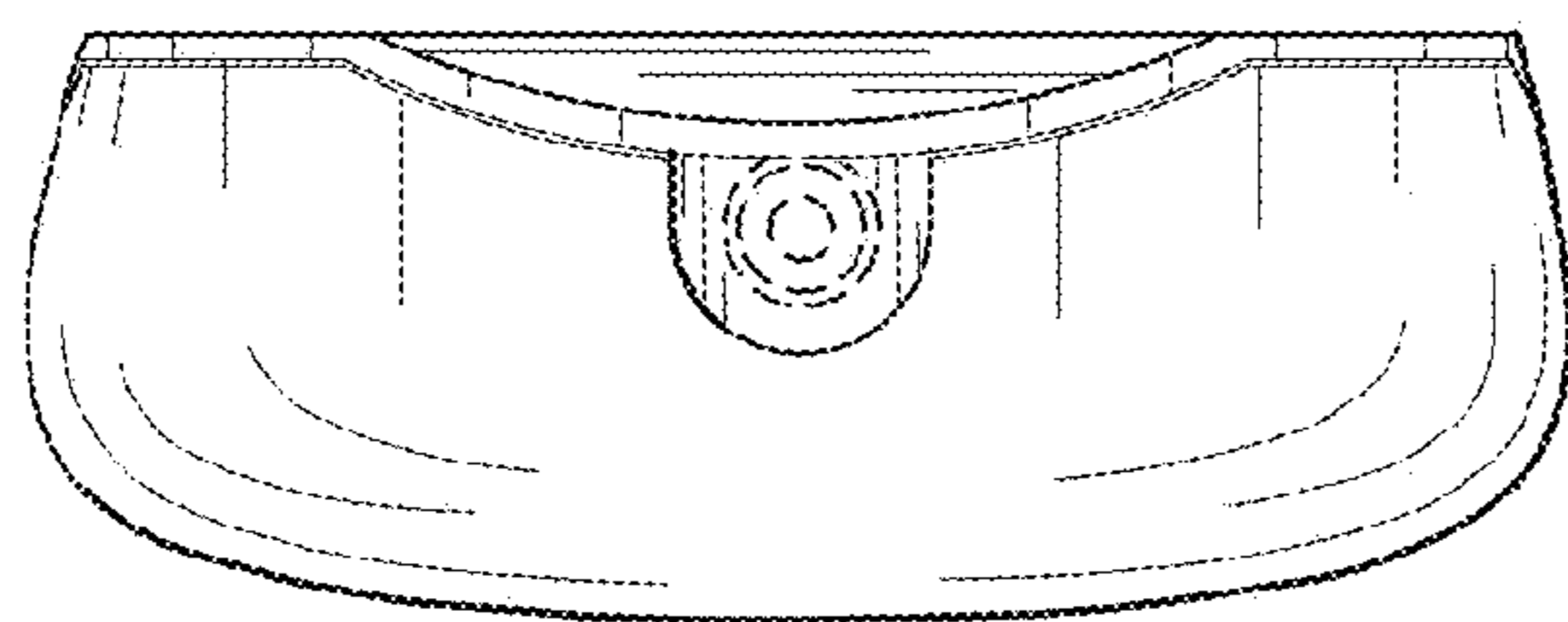


FIG. 6