



US00D738242S

(12) **United States Design Patent**
Crowe et al.

(10) **Patent No.:** **US D738,242 S**

(45) **Date of Patent:** **** Sep. 8, 2015**

(54) **ELECTRICAL TESTER**

(56)

References Cited

(71) Applicant: **Milwaukee Electric Tool Corporation,**
Brookfield, WI (US)

(72) Inventors: **Jason R. Crowe,** Seattle, WA (US);
Justin D. Dorman, Wauwatosa, WI (US)

(73) Assignee: **Milwaukee Electric Tool Corporation,**
Brookfield, WI (US)

(**) Term: **14 Years**

(21) Appl. No.: **29/514,751**

(22) Filed: **Jan. 15, 2015**

U.S. PATENT DOCUMENTS

D154,699 S	8/1949	Molloy
2,581,497 A	1/1952	Podell
3,287,642 A	11/1966	Simkins
3,757,218 A	9/1973	Oliverio et al.
3,946,613 A	3/1976	Silver
3,987,364 A	10/1976	MacCormack et al.
D246,094 S	10/1977	Jone et al.
4,105,968 A	8/1978	Mobley et al.
4,176,315 A	11/1979	Sunnarborg
4,259,635 A	3/1981	Triplett
D297,917 S	10/1988	Adams et al.
5,029,296 A	7/1991	Shang-Wen
D349,860 S	8/1994	Omuro et al.
D362,642 S	9/1995	Howse

(Continued)

Primary Examiner — Antoine D Davis

(74) *Attorney, Agent, or Firm* — Michael Best & Friedrich LLP

Related U.S. Application Data

(63) Continuation of application No. 29/478,070, filed on Dec. 31, 2013, now Pat. No. Des. 724,976.

(51) **LOC (10) Cl.** **10-04**

(52) **U.S. Cl.**
USPC **D10/78**

(58) **Field of Classification Search**
USPC D10/78; 324/99 D, 156, 678, 66, 67,
324/158 P, 539-542, 72.5, 72, 556, 133,
324/149, 503, 543, 555, 754, 115, 141, 145,
324/508, 114; 379/21, 60, 66, 96,
379/106.01-106.11; 340/635, 687, 654;
73/866.5

CPC G01R 1/22; G01R 1/04; G01R 15/02;
G01R 15/181; G01R 15/186; G01R 15/12;
G01R 15/125; G01D 11/24; G06F 17/00

See application file for complete search history.

(57)

CLAIM

The ornamental design for an electrical tester, as shown and described.

DESCRIPTION

FIG. 1 is a front perspective view of a first construction of an electrical tester.

FIG. 2 is a front view of the electrical tester of FIG. 1.

FIG. 3 is a rear view of the electrical tester of FIG. 1.

FIG. 4 is a left side view of the electrical tester of FIG. 1.

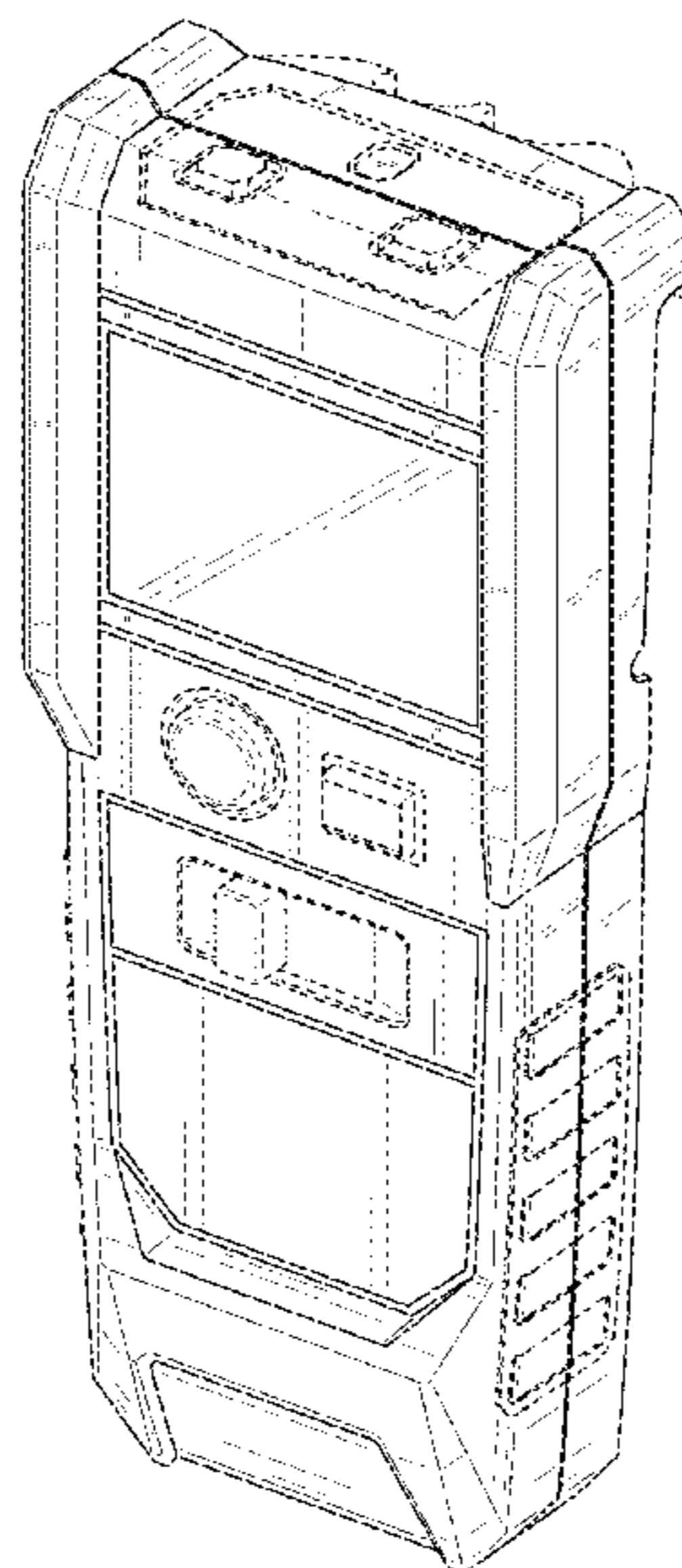
FIG. 5 is a right side view of the electrical tester of FIG. 1.

FIG. 6 is a top view of the electrical tester of FIG. 1; and,

FIG. 7 is a bottom view of the electrical tester of FIG. 1.

The ornamental design which is claimed is shown in solid lines in the drawings. The portions of the design shown in broken lines are included for the purpose of illustrating environment and form no part of the claimed design.

1 Claim, 6 Drawing Sheets



(56)

References Cited

U.S. PATENT DOCUMENTS

5,448,162 A	9/1995	Beha	D559,715 S	1/2008	Marzynski et al.	
5,543,707 A	8/1996	Yoneyama et al.	7,439,726 B2	10/2008	Luo et al.	
5,612,616 A	3/1997	Earle	7,557,559 B1	7/2009	Olsson et al.	
D391,181 S	2/1998	Beha	D601,047 S	9/2009	Chang	
5,720,628 A	2/1998	Usui et al.	7,659,710 B2	2/2010	Luo et al.	
5,729,211 A	3/1998	Reichler et al.	D617,225 S	6/2010	Marzynski et al.	
5,831,430 A	11/1998	Pfanstiehl et al.	D628,917 S	12/2010	Tian	
6,137,285 A	10/2000	Walsten et al.	D655,212 S	3/2012	Wong	
D446,137 S	8/2001	Chang	8,358,121 B2	1/2013	Hudson et al.	
D446,734 S	8/2001	Kuramoto et al.	8,405,380 B2	3/2013	Marzynski et al.	
D446,735 S	8/2001	McCain	D679,615 S	4/2013	Marzynski et al.	
6,400,133 B1	6/2002	Vest et al.	D704,579 S	5/2014	Heishi et al.	
6,525,665 B1	2/2003	Luebke et al.	D705,099 S	5/2014	Heishi et al.	
D476,246 S	6/2003	Kuramoto et al.	D705,681 S	5/2014	Morishita et al.	
6,731,217 B1	5/2004	Warner	D719,040 S *	12/2014	Crowe et al.	D10/78
6,980,417 B2	12/2005	Chang	D719,471 S *	12/2014	Gnauck	D10/78
7,224,159 B2	5/2007	Van Deursen et al.	D723,401 S *	3/2015	Shen	D10/78
7,242,173 B2	7/2007	Cavoretto	D723,959 S *	3/2015	Huang	D10/78
7,304,618 B2	12/2007	Plathe	D724,454 S *	3/2015	Huang	D10/78
7,312,602 B2	12/2007	Hoopengarner	9,014,907 B2 *	4/2015	Lipscomb et al.	701/29.1
7,312,603 B2	12/2007	Luo et al.	D731,908 S *	6/2015	Huang	D10/78
			2011/0156696 A1	6/2011	Cheek et al.	
			2013/0033253 A1	2/2013	Liu	
			2013/0093449 A1	4/2013	Laurino et al.	

* cited by examiner

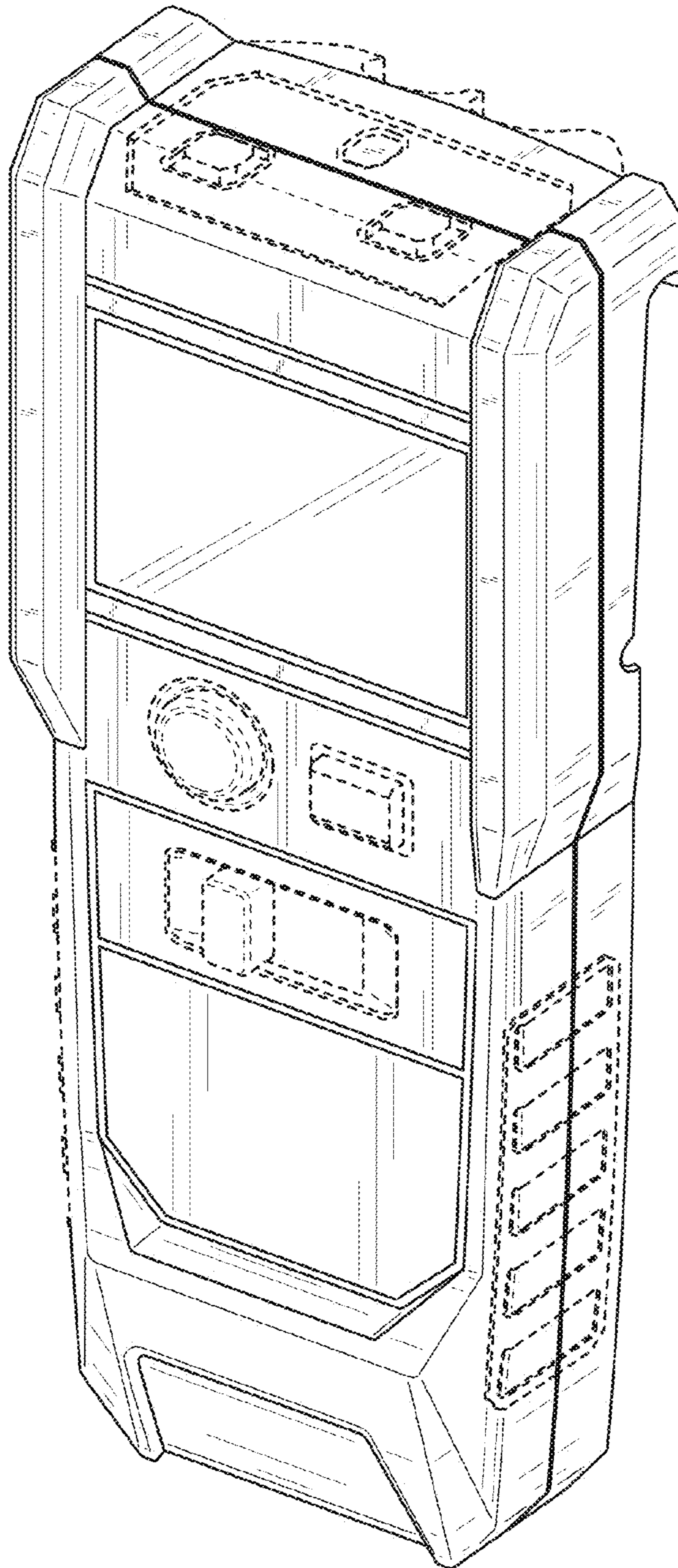


FIG. 1

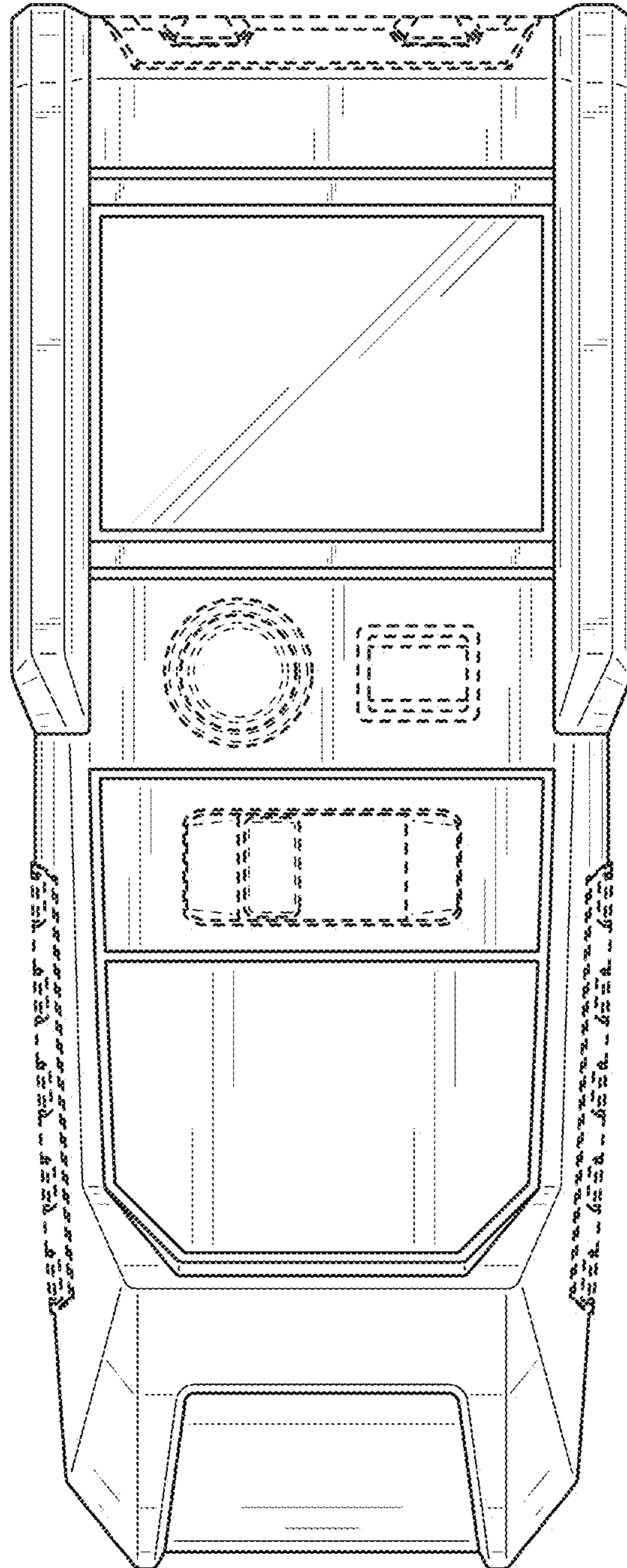


FIG. 2

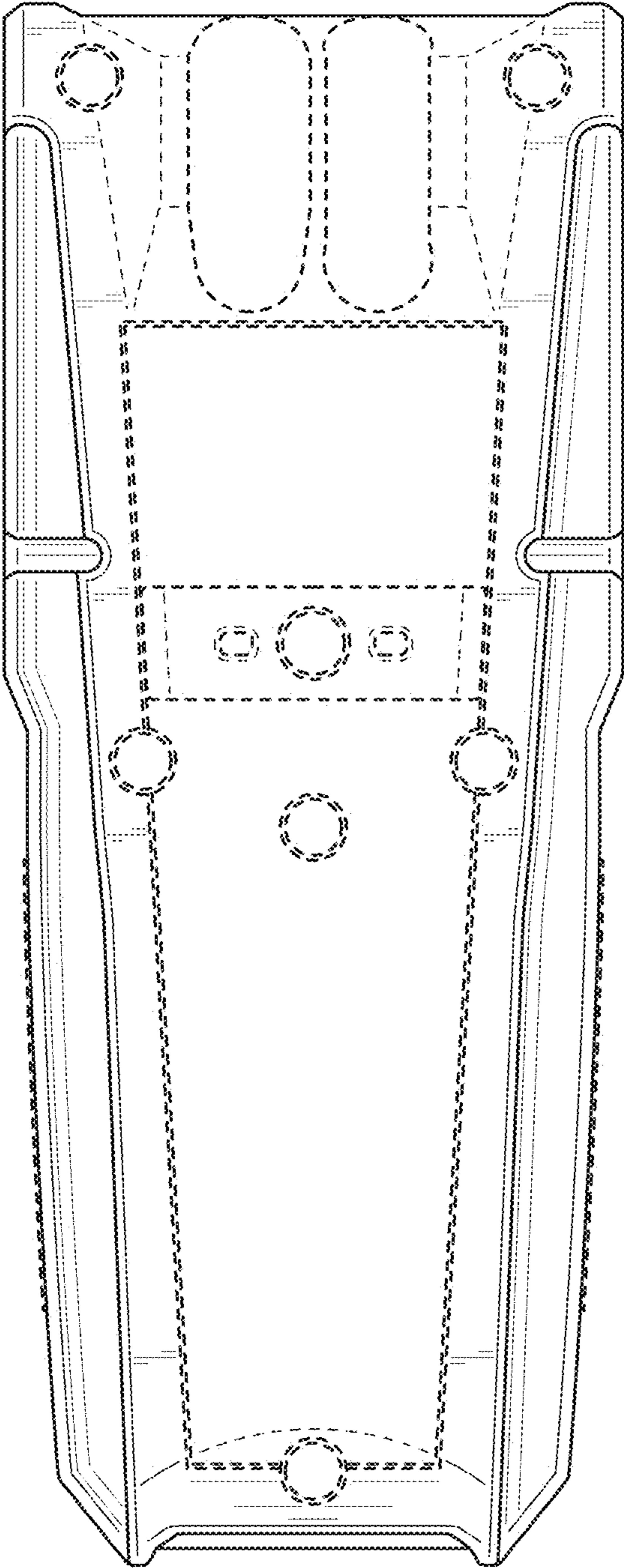


FIG. 3

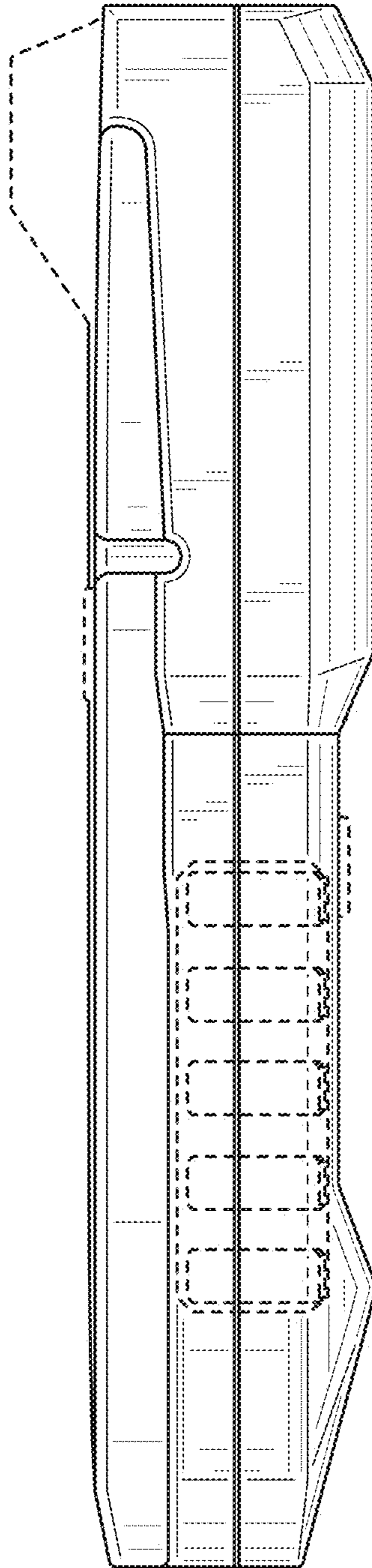


FIG. 4

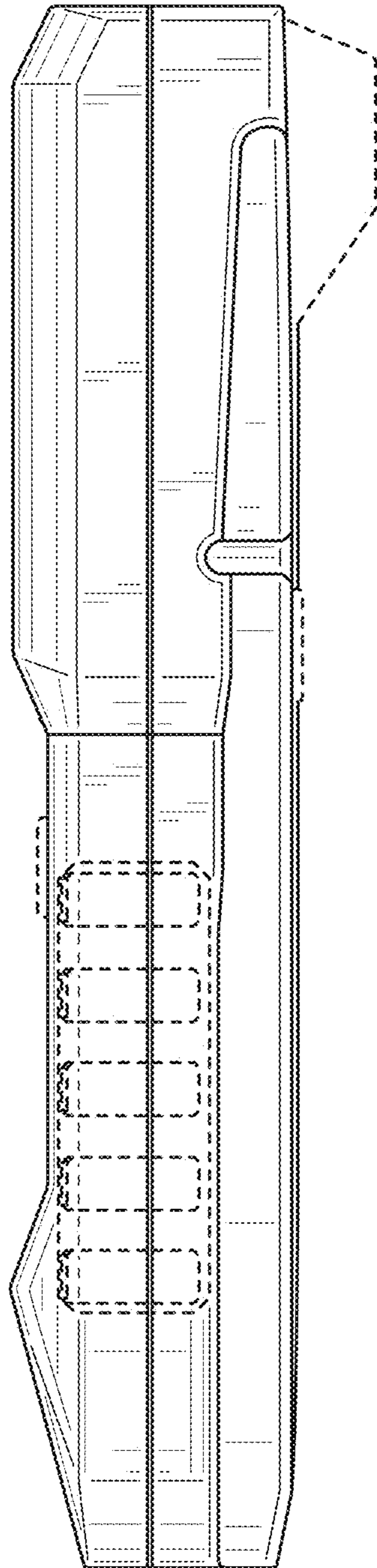


FIG. 5

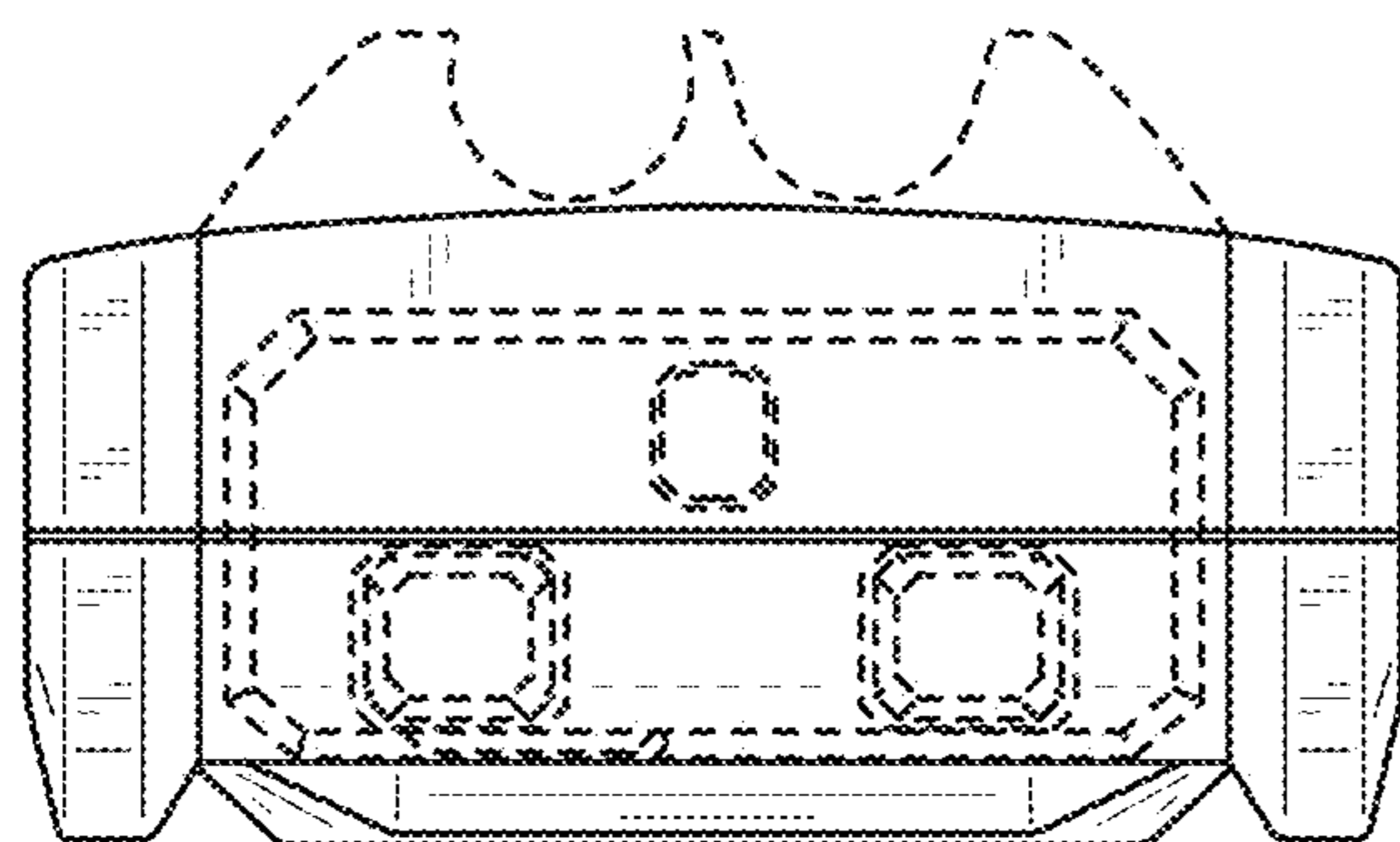


FIG. 6

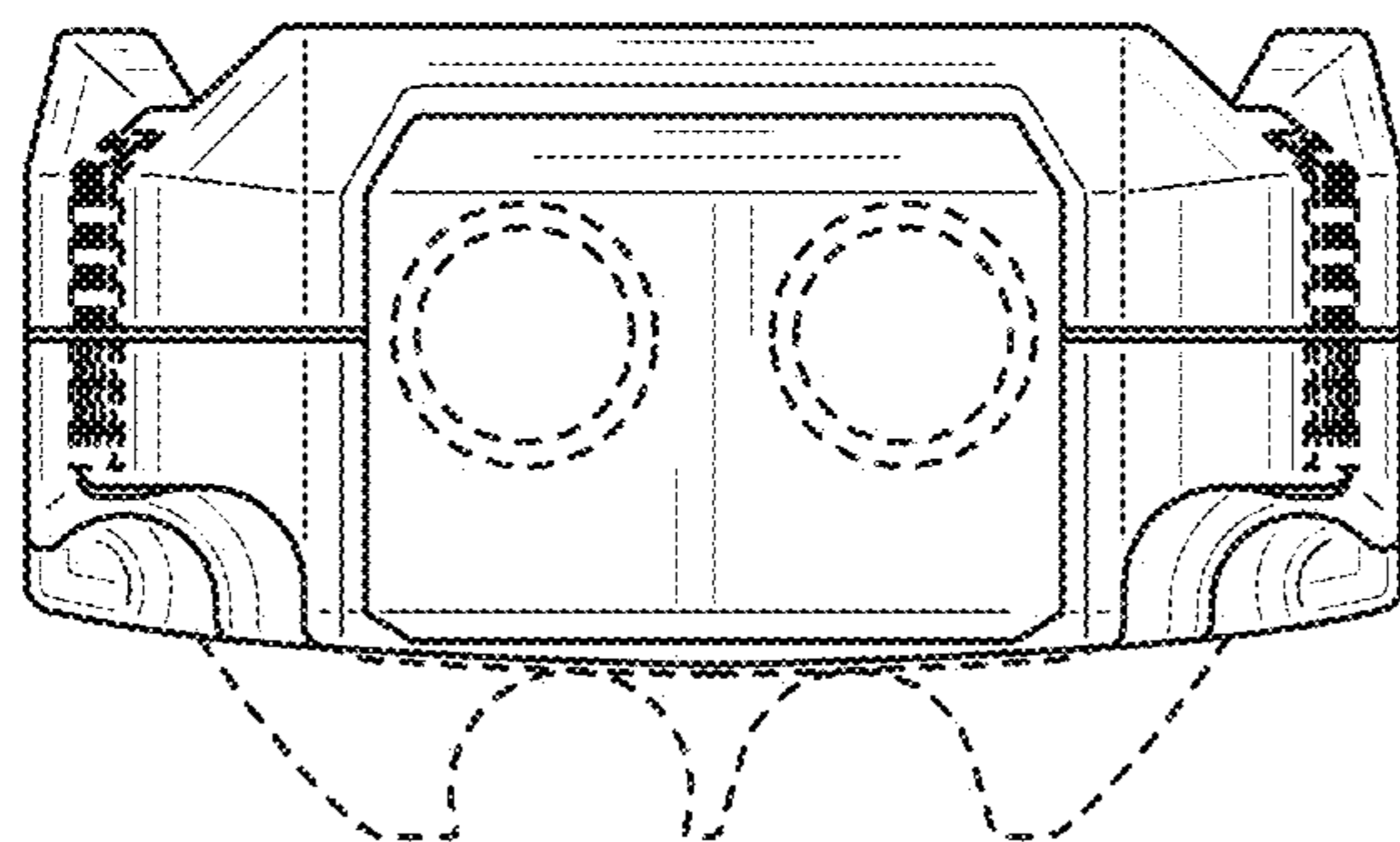


FIG. 7