



US00D738240S

(12) **United States Design Patent**
Payne

(10) **Patent No.:** **US D738,240 S**

(45) **Date of Patent:** **** Sep. 8, 2015**

(54) **CABLE TESTER**

(71) Applicant: **Southwire Company, LLC**, Carrollton, GA (US)

(72) Inventor: **John Lawrence Payne**, Newnan, GA (US)

(73) Assignee: **Southwire Company, LLC**, Carrollton, GA (US)

(**) Term: **14 Years**

(21) Appl. No.: **29/504,887**

(22) Filed: **Oct. 10, 2014**

(51) **LOC (10) Cl.** **10-04**

(52) **U.S. Cl.**
USPC **D10/78**

(58) **Field of Classification Search**
USPC D10/46, 75-80
CPC G01P 1/02-1/127; G01B 19/041-19/0448;
G06F 1/1626; G06F 1/1613; G01R
29/00-29/26; G01R 31/02-31/31937; H01R
2201/04; H01R 2201/06; H01R 2201/16;
H01R 2201/20; H04M 1/24

See application file for complete search history.

(56) **References Cited**

U.S. PATENT DOCUMENTS

D364,105	S	*	11/1995	Omuro et al.	D10/78
6,611,147	B2	*	8/2003	White et al.	324/539
D512,333	S	*	12/2005	Blacken et al.	D10/78
D698,673	S	*	2/2014	Igelmund	D10/78

* cited by examiner

Primary Examiner — Antoine D Davis

(74) *Attorney, Agent, or Firm* — Hartman & Citrin LLC

(57) **CLAIM**

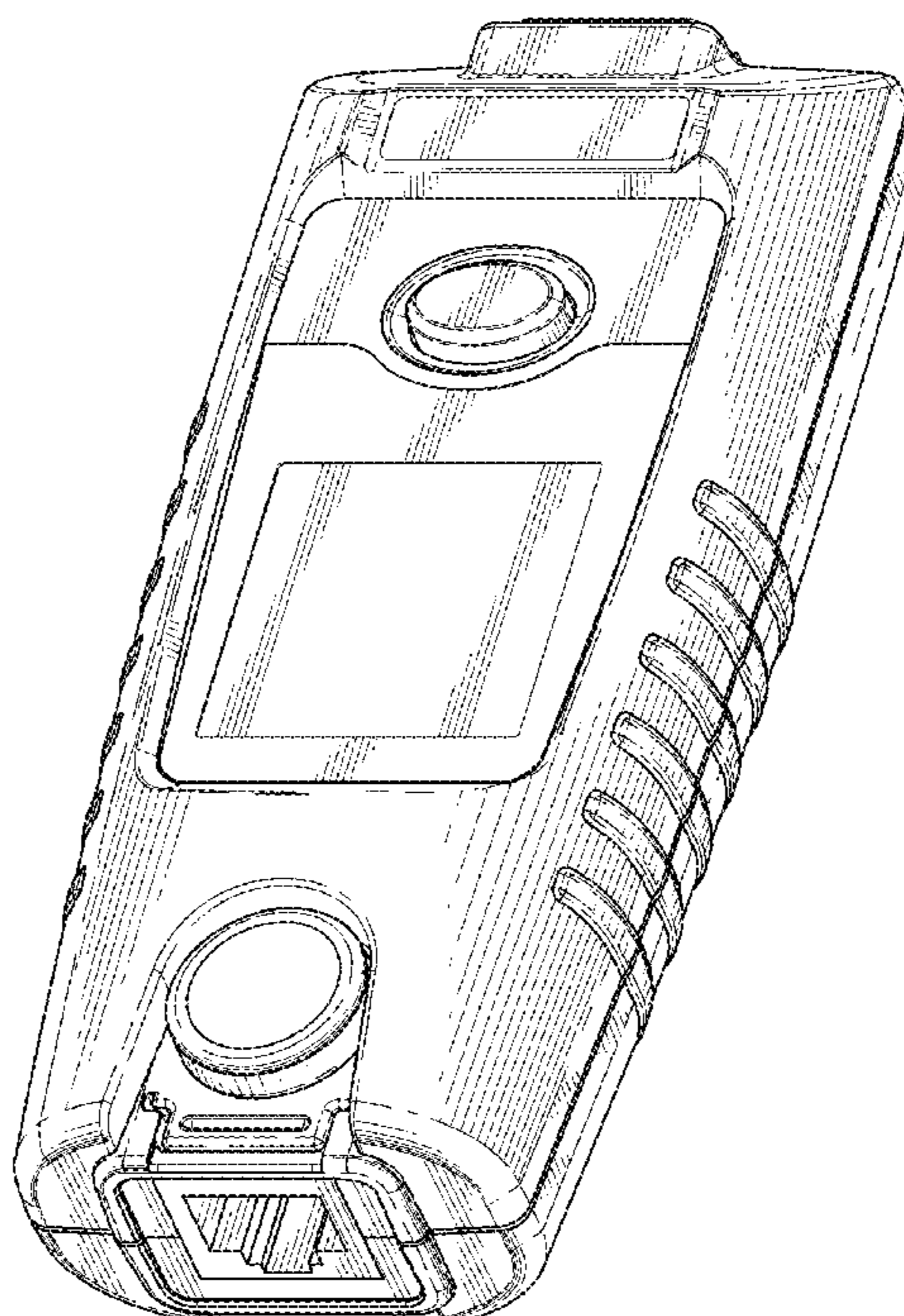
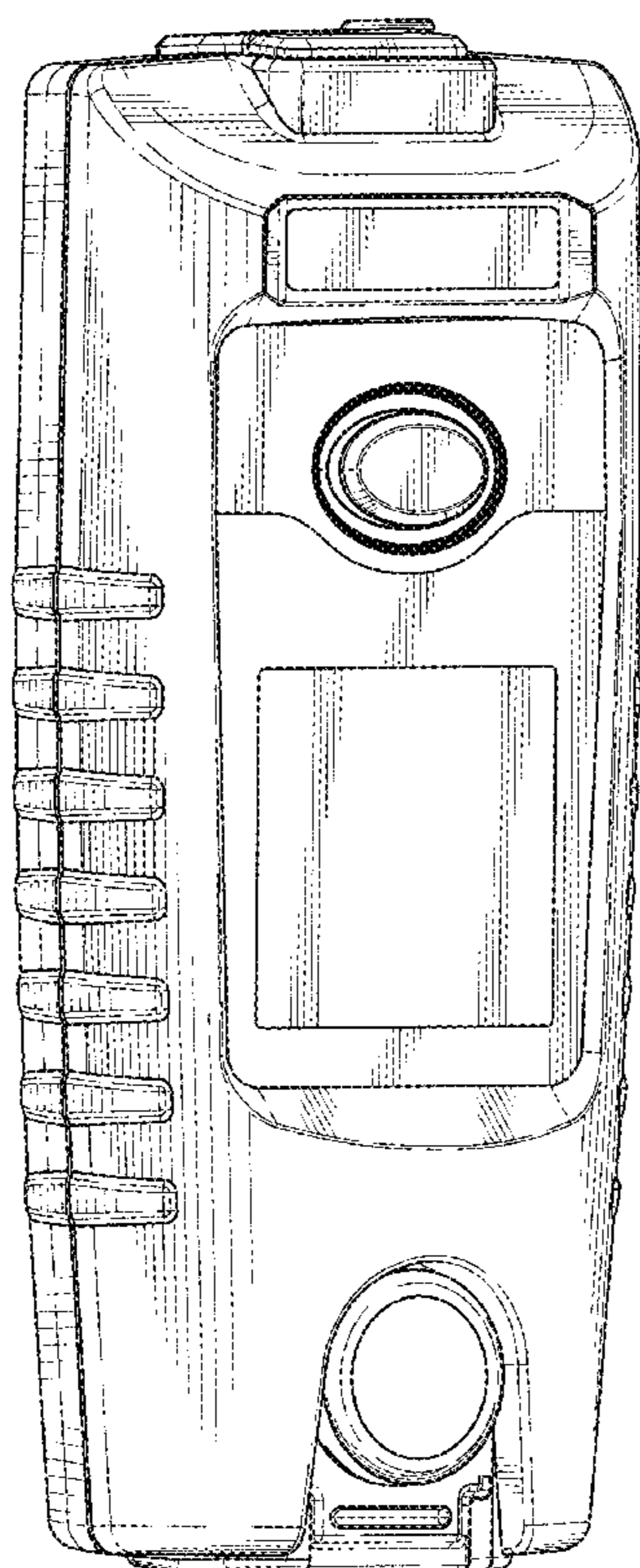
The ornamental design for a cable tester, as shown and described.

DESCRIPTION

FIG. 1 is a prospective view of an embodiment of a cable tester according to my design; FIG. 2 is another prospective view thereof; FIG. 3 is a front view thereof; FIG. 4 is a rear view thereof; FIG. 5 is a side view thereof; FIG. 6 is a side view thereof; FIG. 7 is a top view thereof; and, FIG. 8 is a bottom view thereof.

Broken lines having repeated short dashes in the Figures are for illustrative purposes only and form no part of the claimed design. Shade lines having a combination of long and short lines in the Figures show contour and not surface ornamentation.

1 Claim, 6 Drawing Sheets



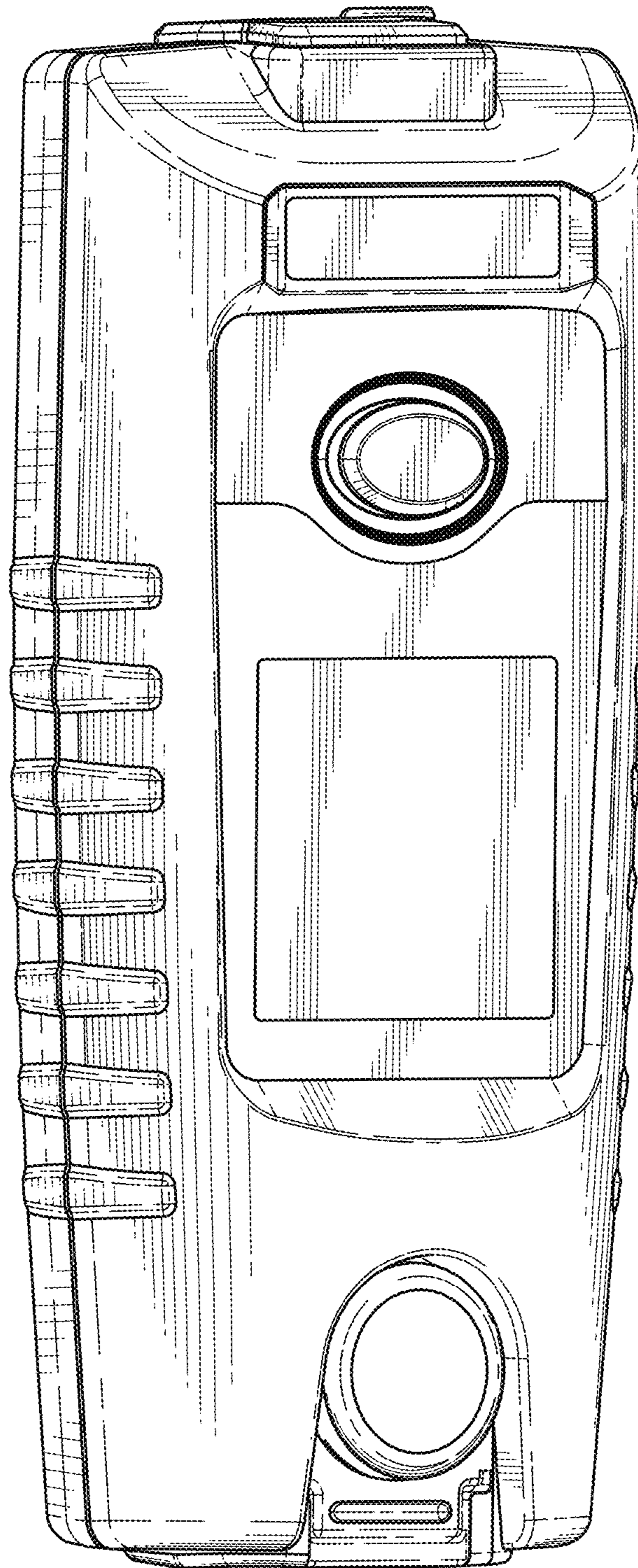


Figure 1

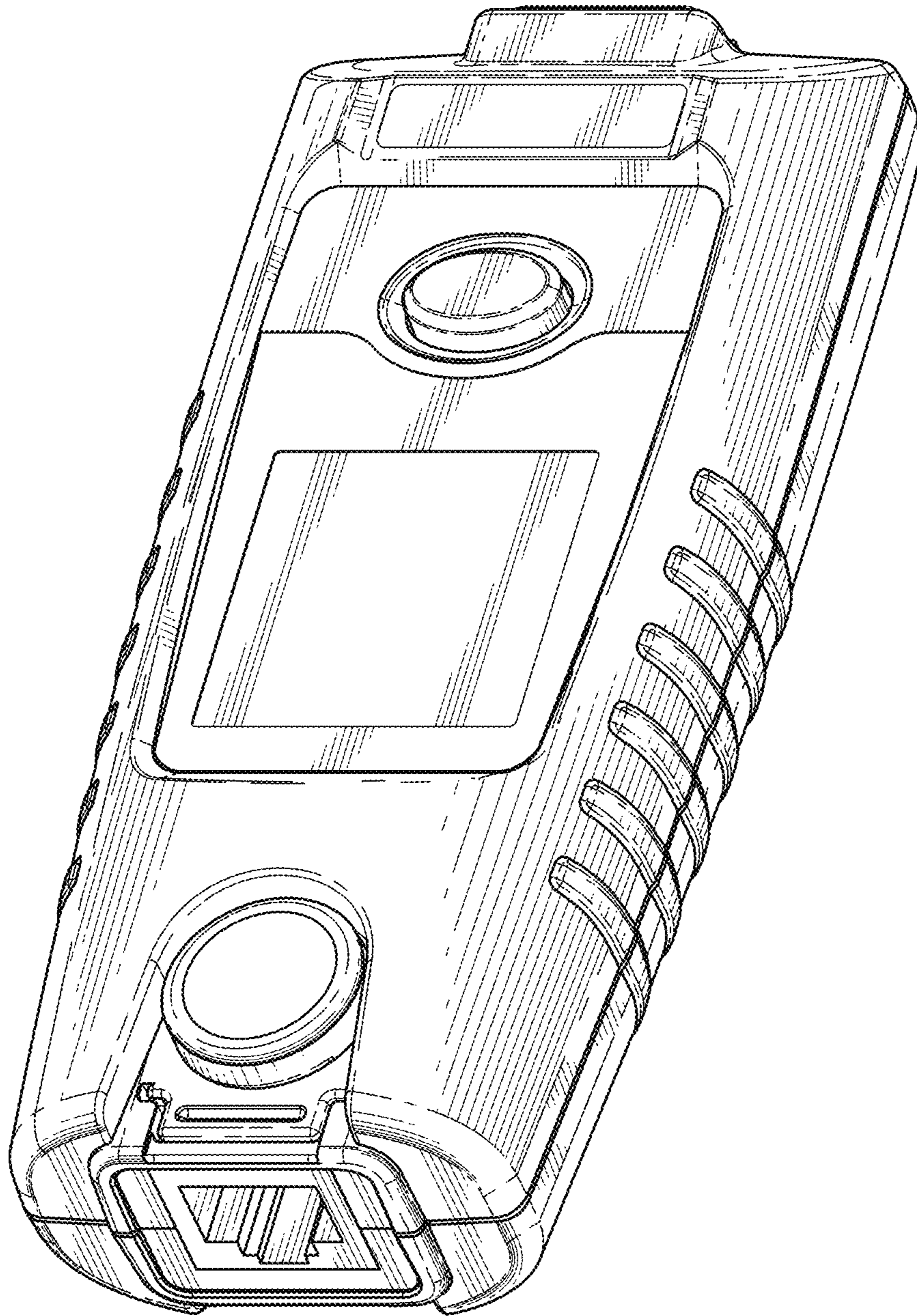


Figure 2

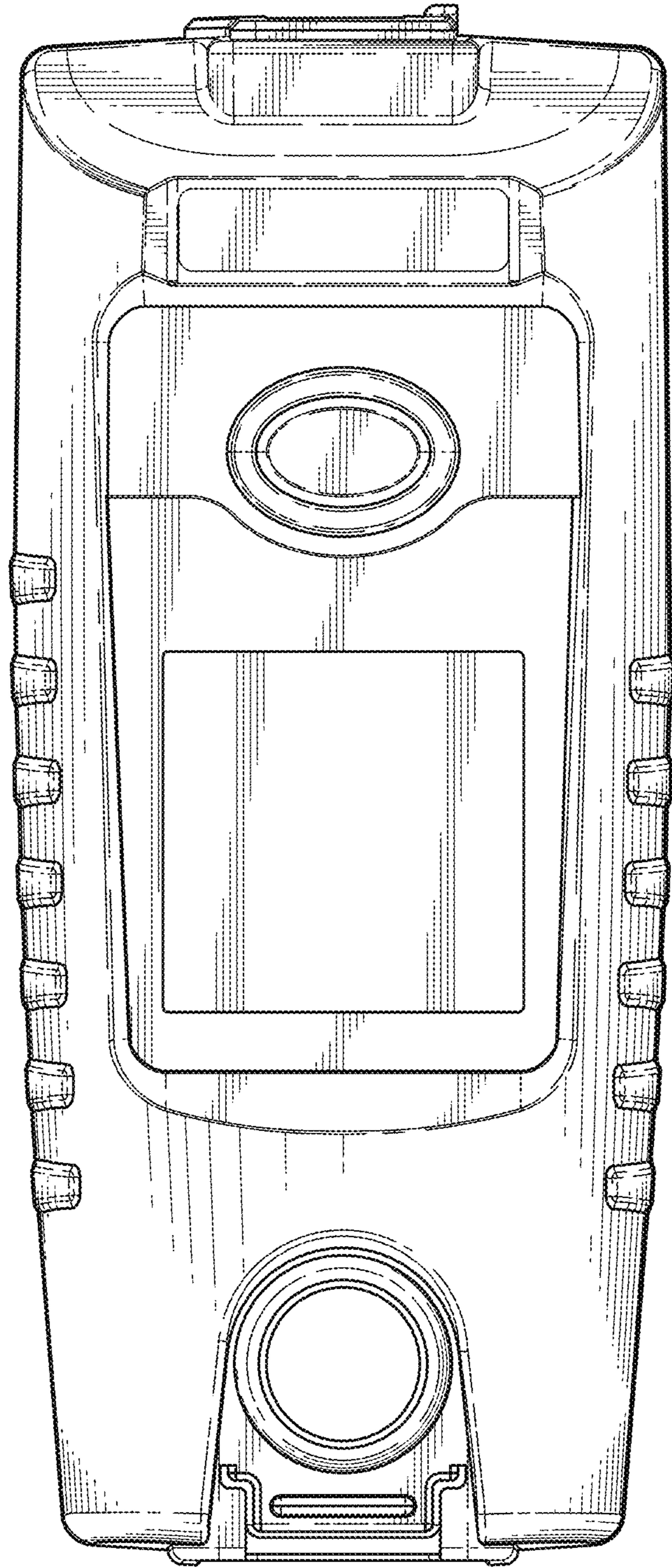


Figure 3

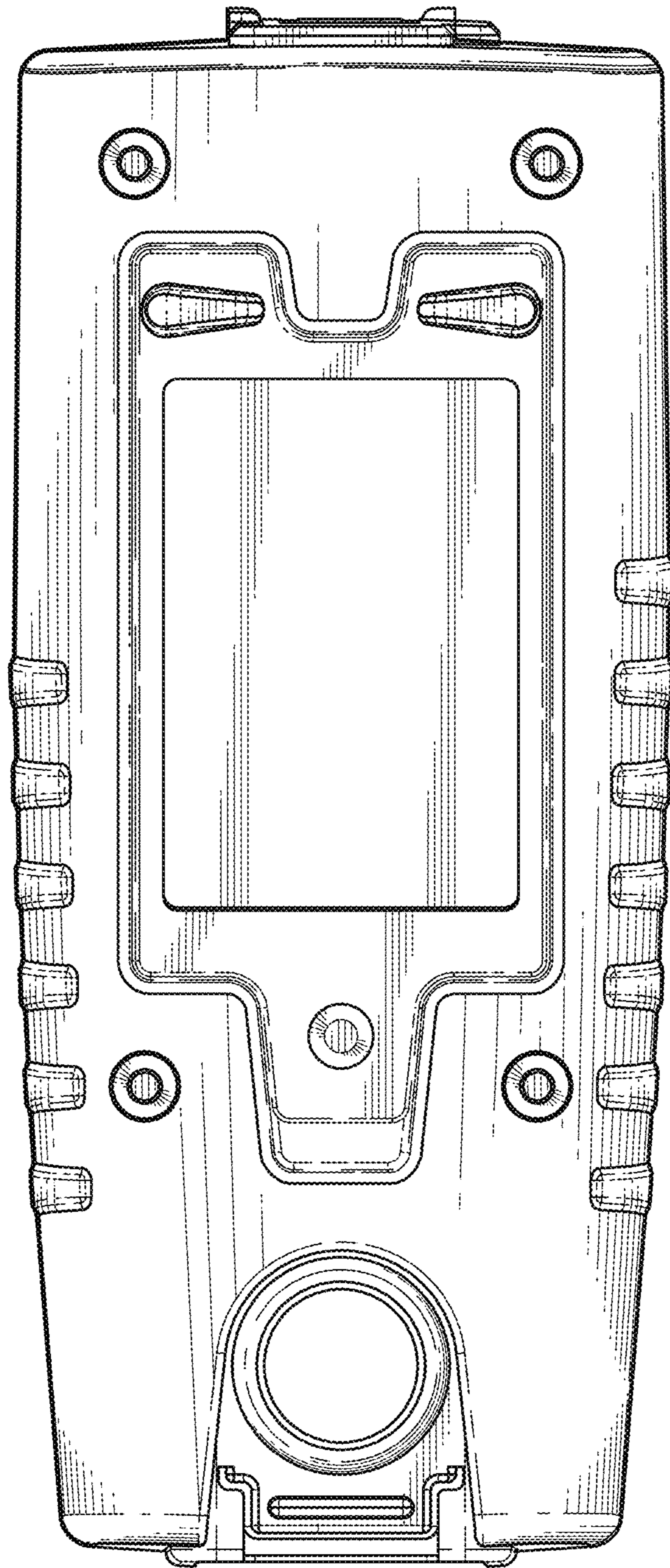


Figure 4

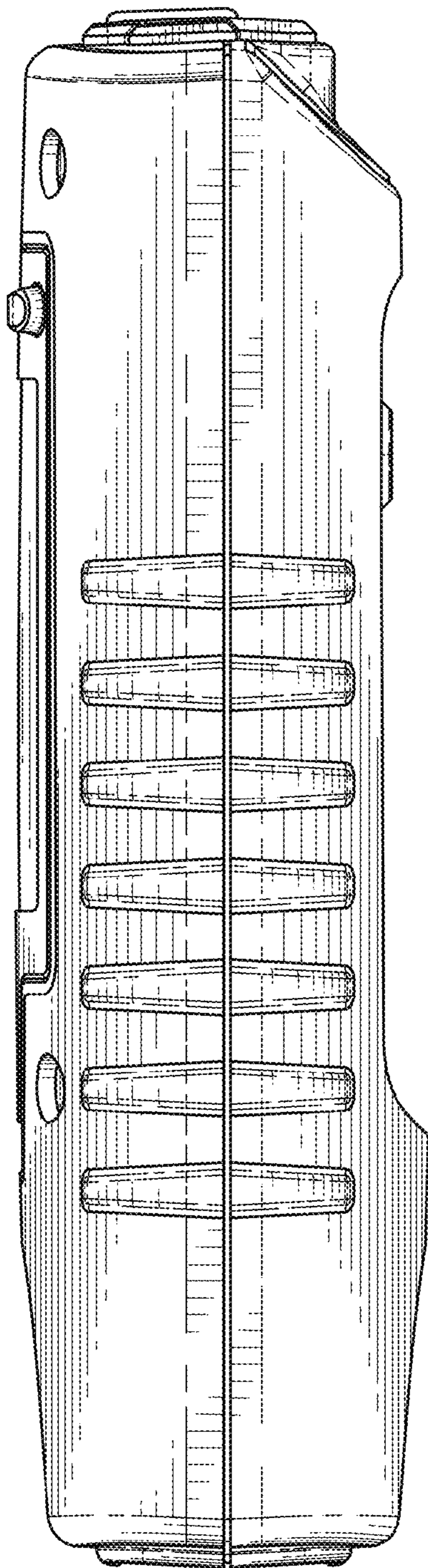


Figure 5

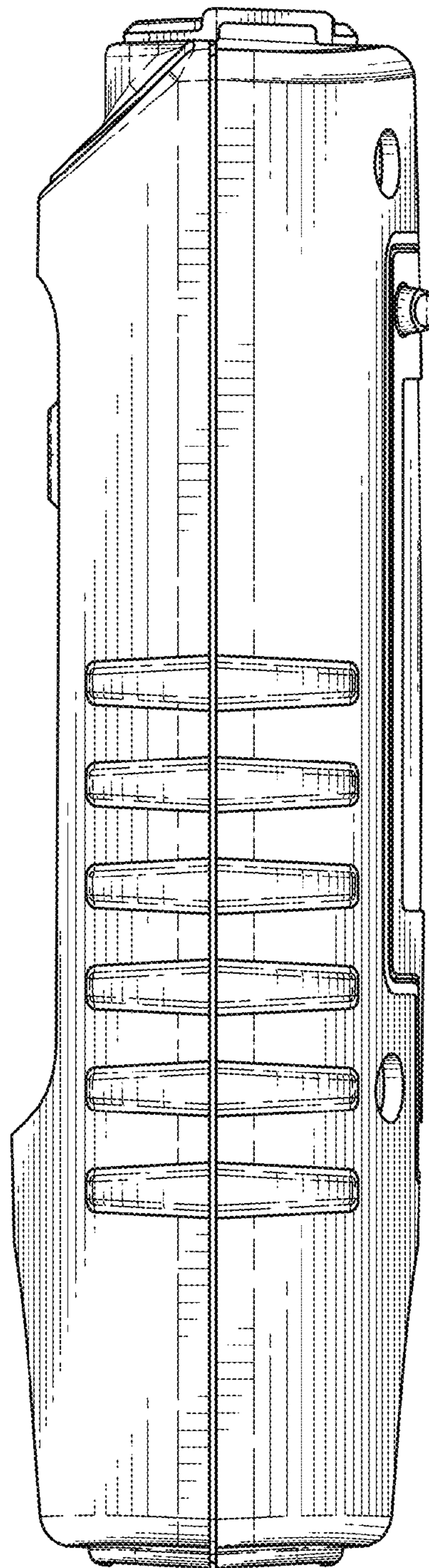


Figure 6

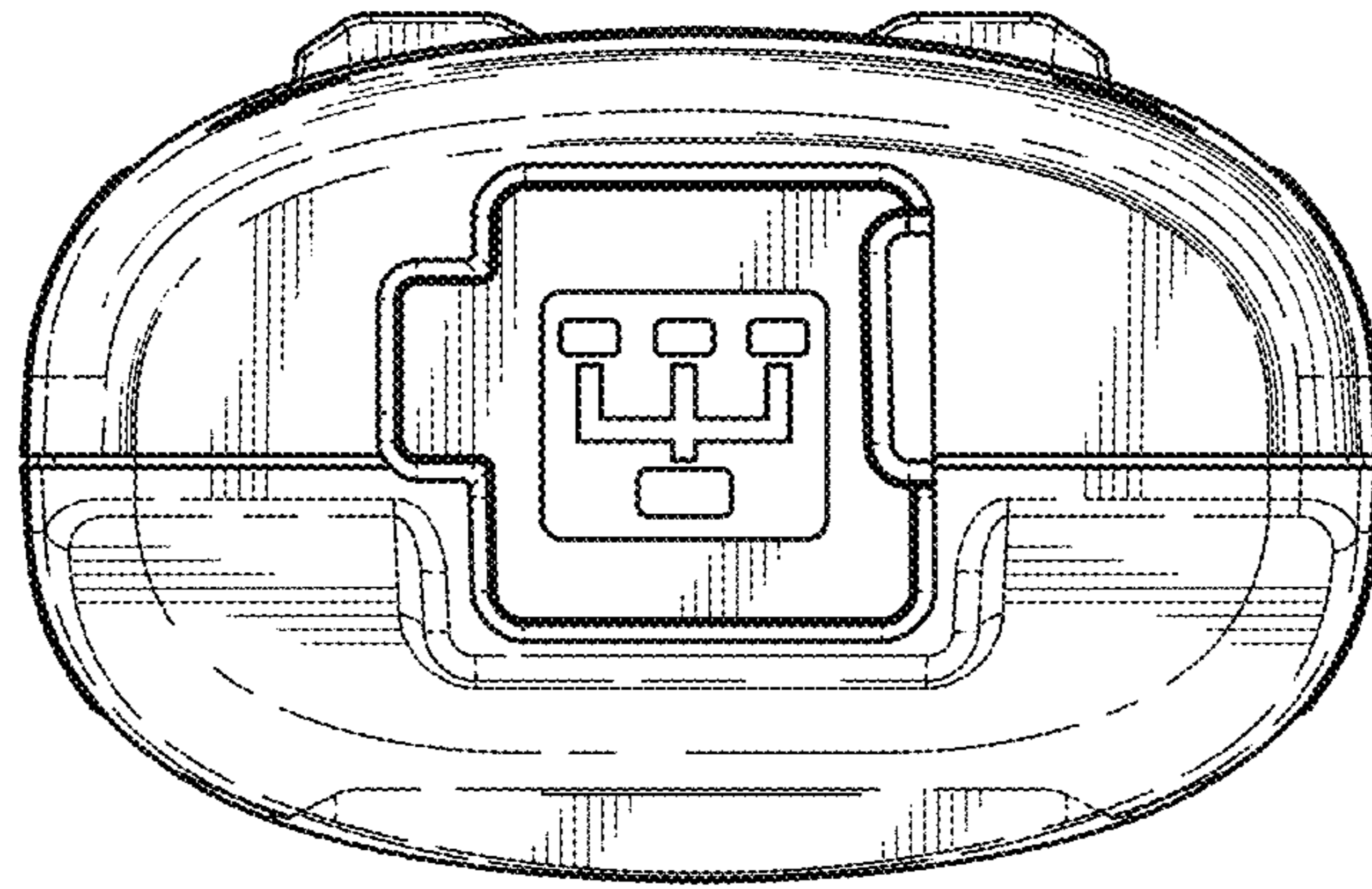


Figure 7

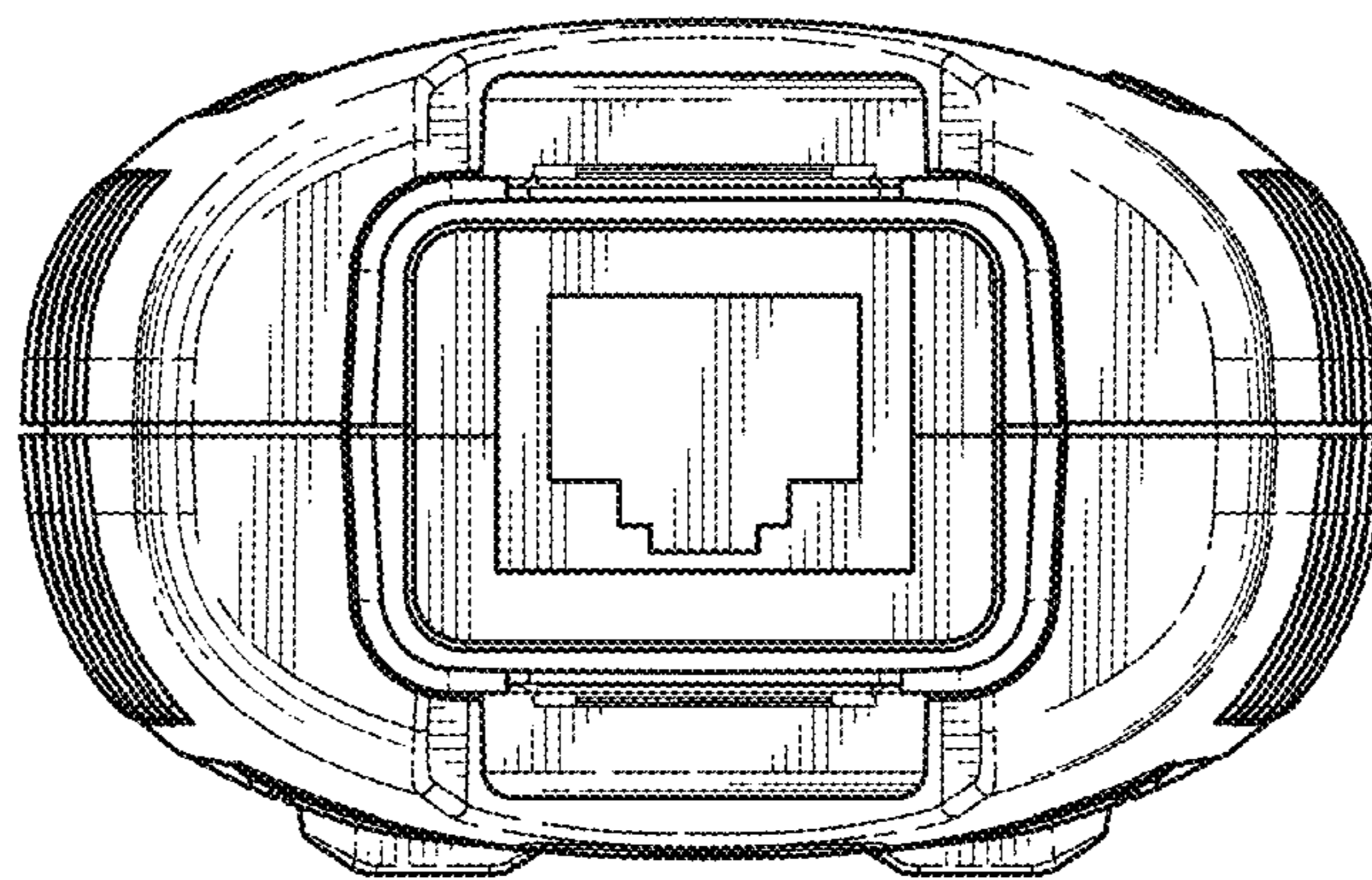


Figure 8