



US00D738236S

(12) **United States Design Patent**
Song

(10) **Patent No.:** **US D738,236 S**

(45) **Date of Patent:** **** *Sep. 8, 2015**

(54) **ELECTRONIC DEVICE**

(56) **References Cited**

(71) Applicant: **Samsung Electronics Co., Ltd.**,
Suwon-si (KR)

U.S. PATENT DOCUMENTS

(72) Inventor: **Jun Yong Song**, Seongnam-si (KR)

D331,020	S	*	11/1992	Ishii et al.	D10/31
D331,021	S	*	11/1992	Ishii et al.	D10/31
D400,112	S	*	10/1998	Rider	D10/70
D536,265	S	*	2/2007	Reynoso	D10/31
D693,251	S	*	11/2013	Anderssen et al.	D10/70
D716,677	S	*	11/2014	Messier et al.	D10/98
D717,678	S	*	11/2014	Anderssen et al.	D10/98
D717,679	S	*	11/2014	Anderssen et al.	D10/98
D719,123	S	*	12/2014	Park et al.	D14/138 R
D720,074	S	*	12/2014	Suvilaakso et al.	D24/167
D724,556	S	*	3/2015	Choi et al.	D14/138 R
D727,759	S	*	4/2015	Martinez et al.	D10/70

(73) Assignee: **Samsung Electronics Co., Ltd.**,
Suwon-si (KR)

(*) Notice: This patent is subject to a terminal disclaimer.

* cited by examiner

(**) Term: **14 Years**

Primary Examiner — Antoine D Davis

(21) Appl. No.: **29/498,626**

(74) *Attorney, Agent, or Firm* — NSIP Law

(22) Filed: **Aug. 6, 2014**

(57) **CLAIM**

(30) **Foreign Application Priority Data**

The ornamental design for a electronic device, as shown and described.

Feb. 22, 2014 (KR) 30-2014-0009046

DESCRIPTION

(51) **LOC (10) Cl.** **10-04**

FIG. 1 is a front perspective view of a electronic device showing my new design;

(52) **U.S. Cl.**

FIG. 2 is a front view thereof;

USPC **D10/70**; D10/30

FIG. 3 is a rear view thereof;

(58) **Field of Classification Search**

USPC D10/30-39, 65, 70, 97, 98; D11/3;

FIG. 4 is a left-side view thereof;

D14/138 R, 203.5, 203.6, 341, 344,

FIG. 5 is a right-side view thereof;

D14/347; D24/167, 168

FIG. 6 is a top view thereof;

CPC A44C 5/00-5/16; G04B 37/00-37/228;

FIG. 7 is a bottom view thereof; and,

G04B 45/0069; G04B 47/04; G04B

FIG. 8 is another front perspective view thereof shown in an alternate position.

19/00-19/34; G04B 21/12; G04B 23/12;

The broken lines in the figures show portions of the electronic device which form no part of the claimed design.

G04B 47/00-47/068; G01C 17/00; G01C

21/00-21/3697

See application file for complete search history.

1 Claim, 8 Drawing Sheets

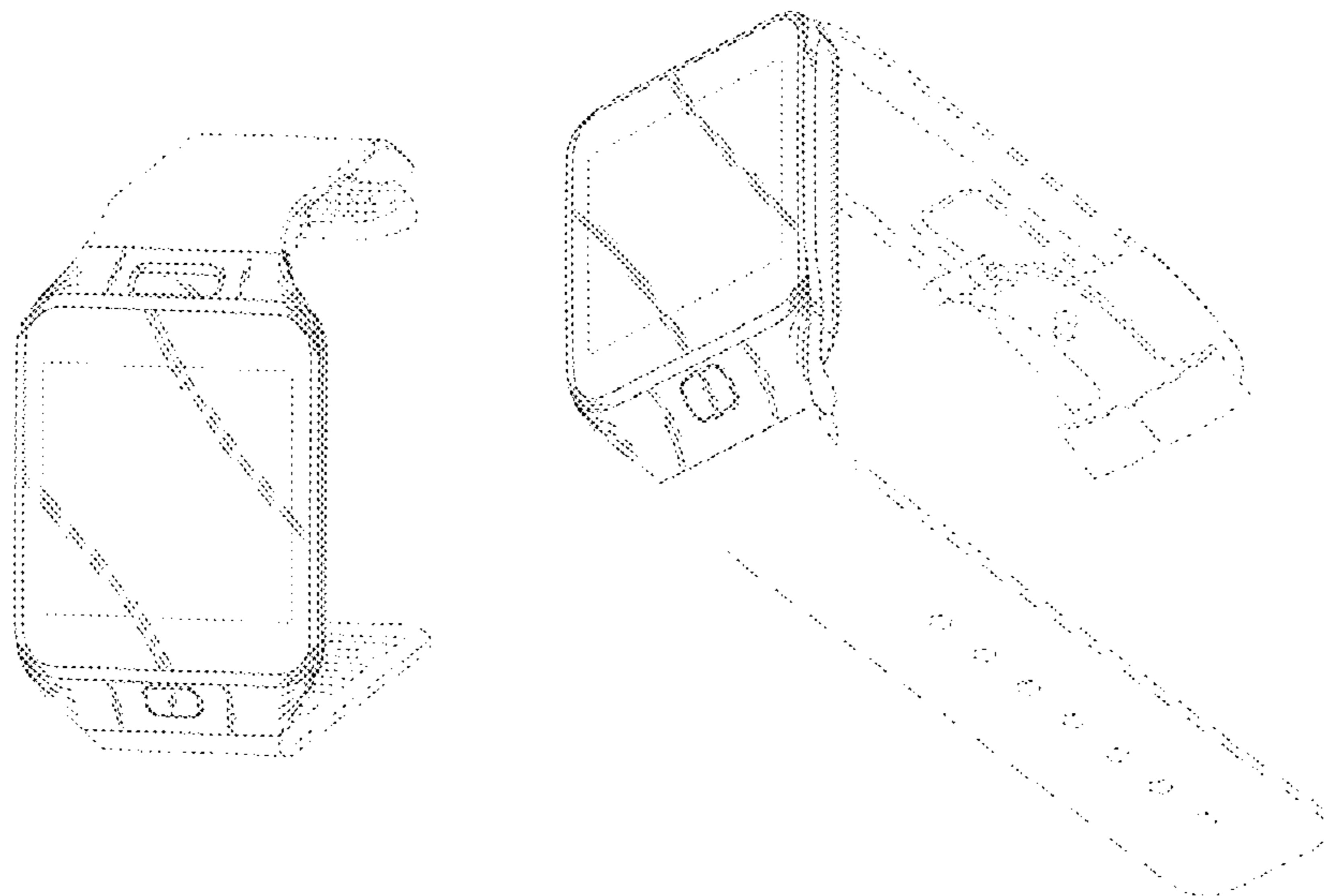


Fig. 1

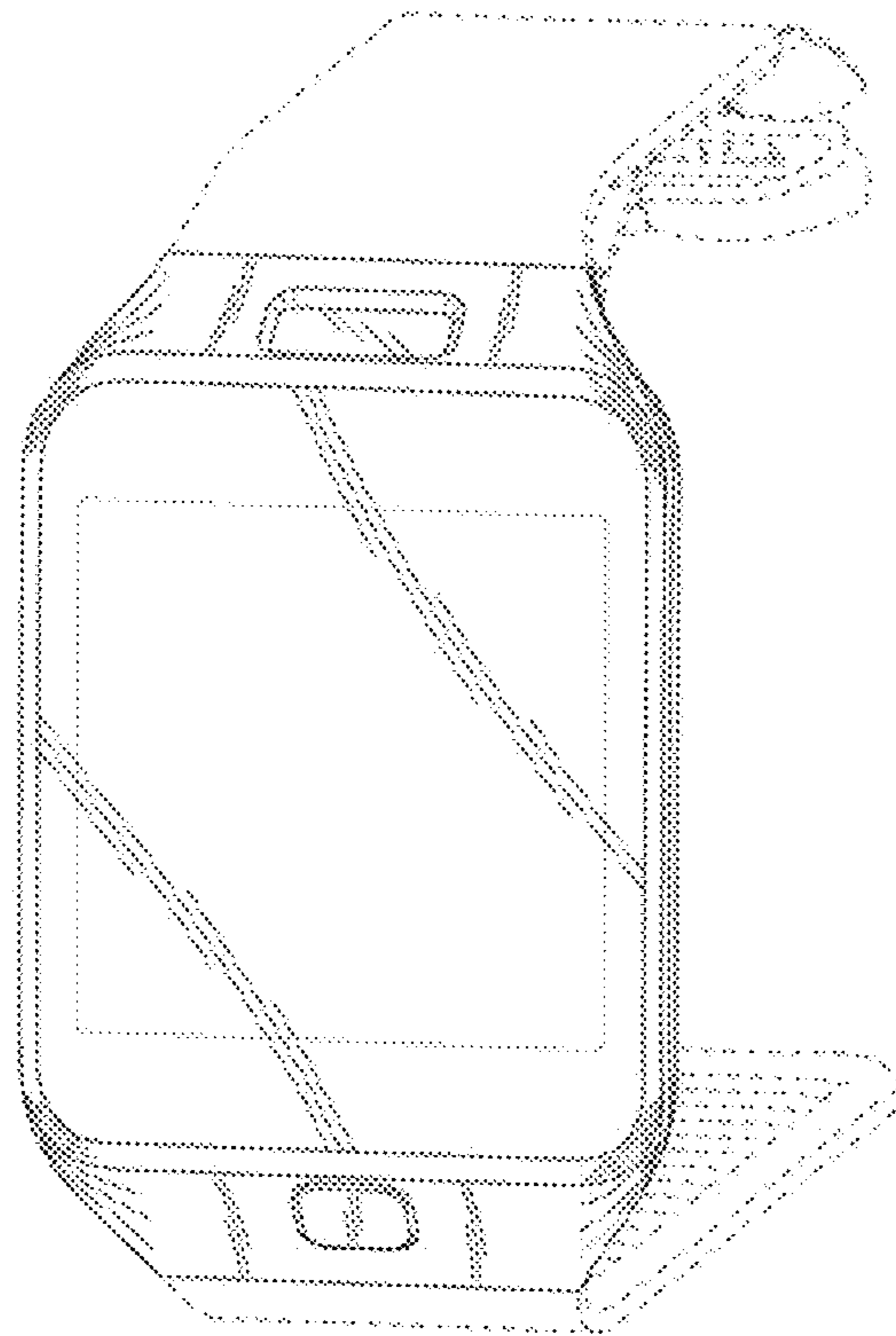


Fig. 2

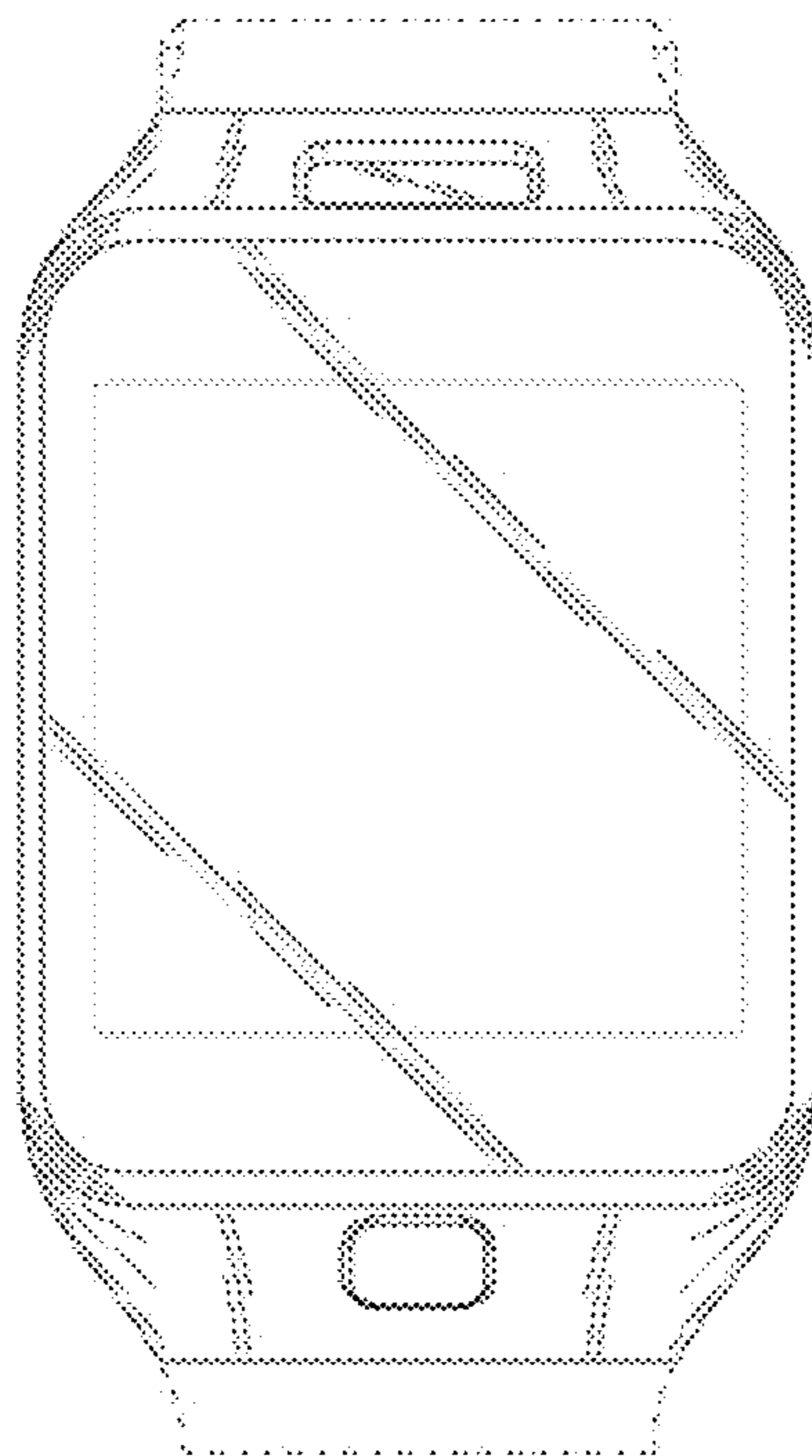


Fig. 3

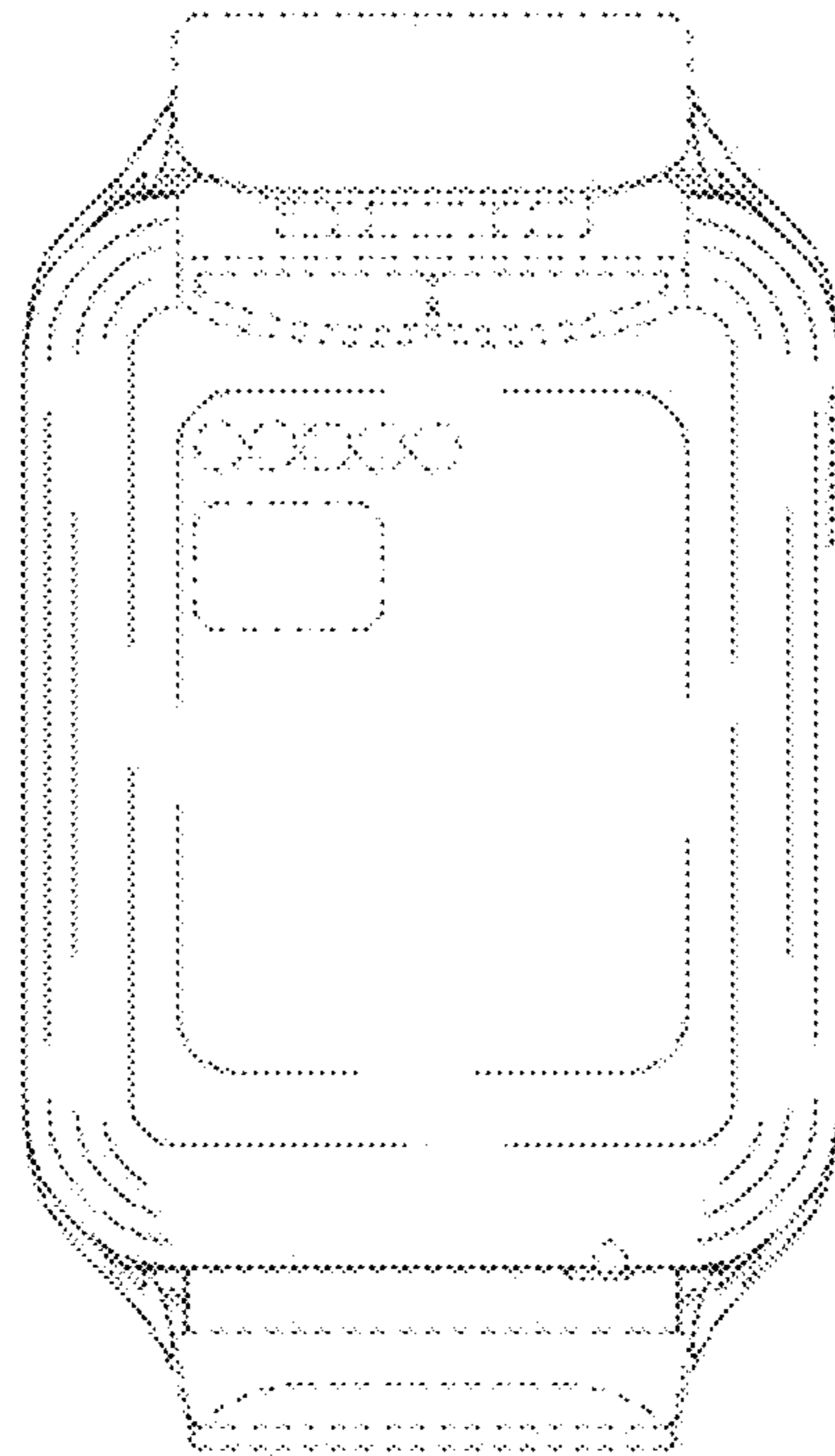


Fig. 4

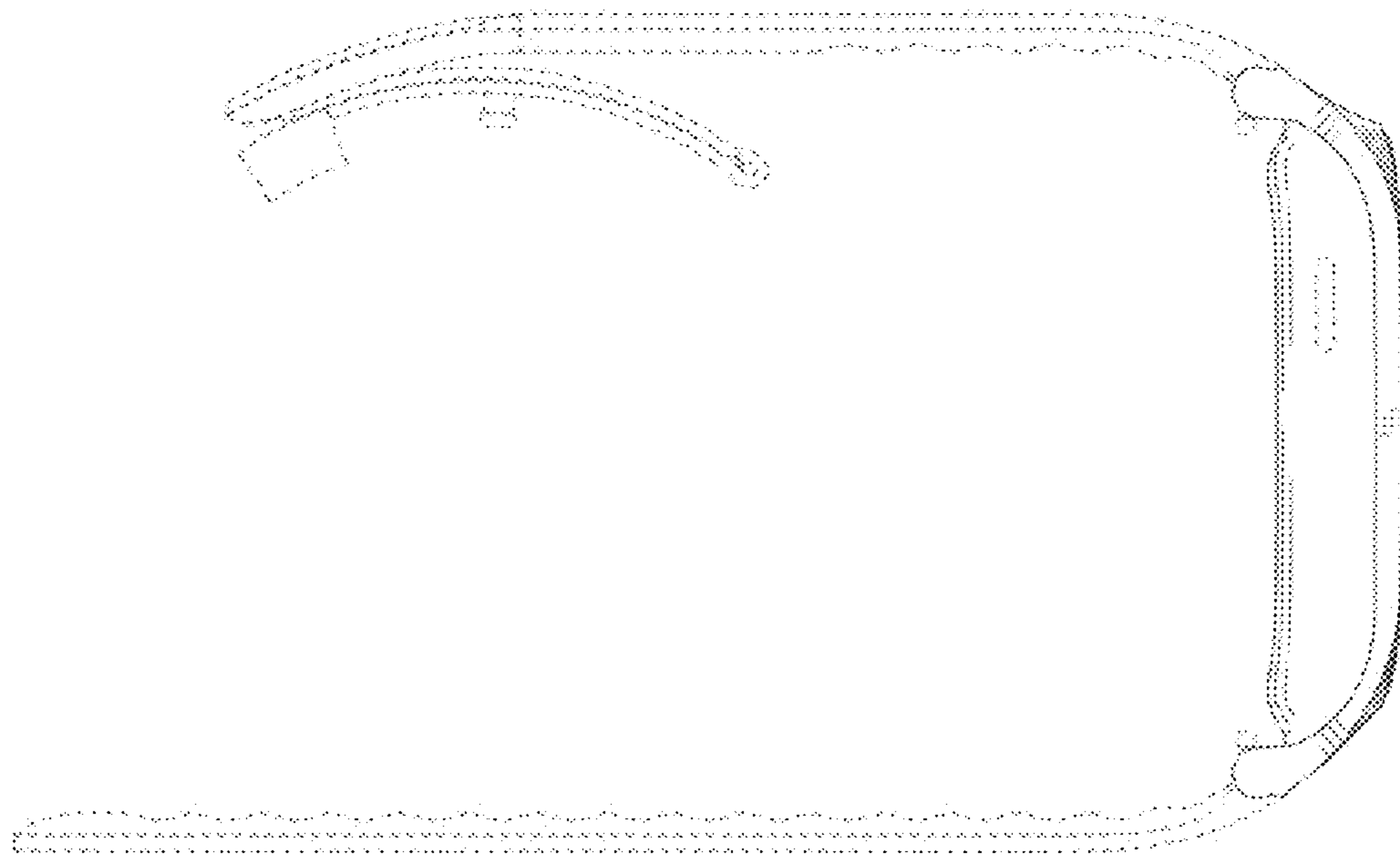


Fig. 5

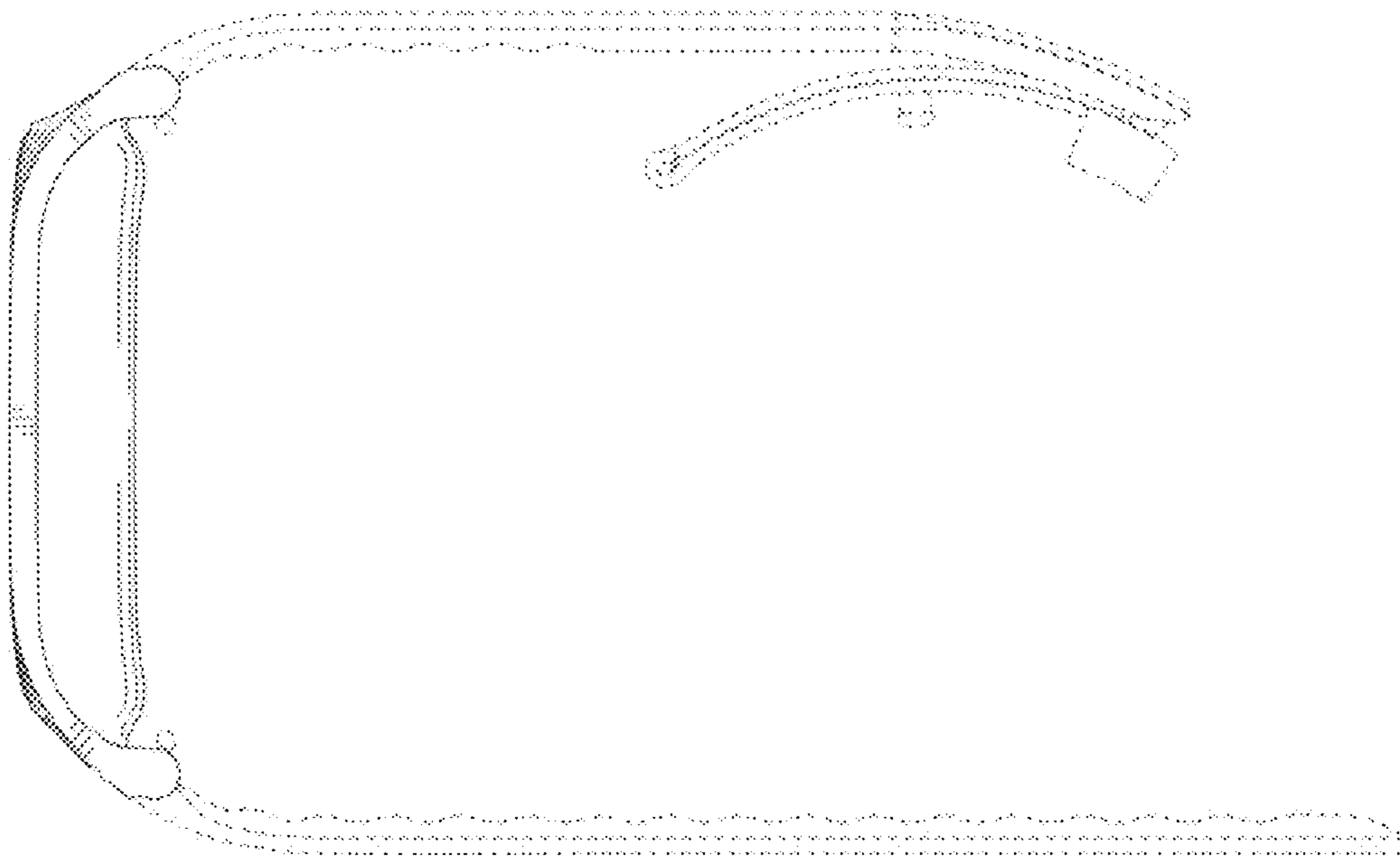


Fig. 6

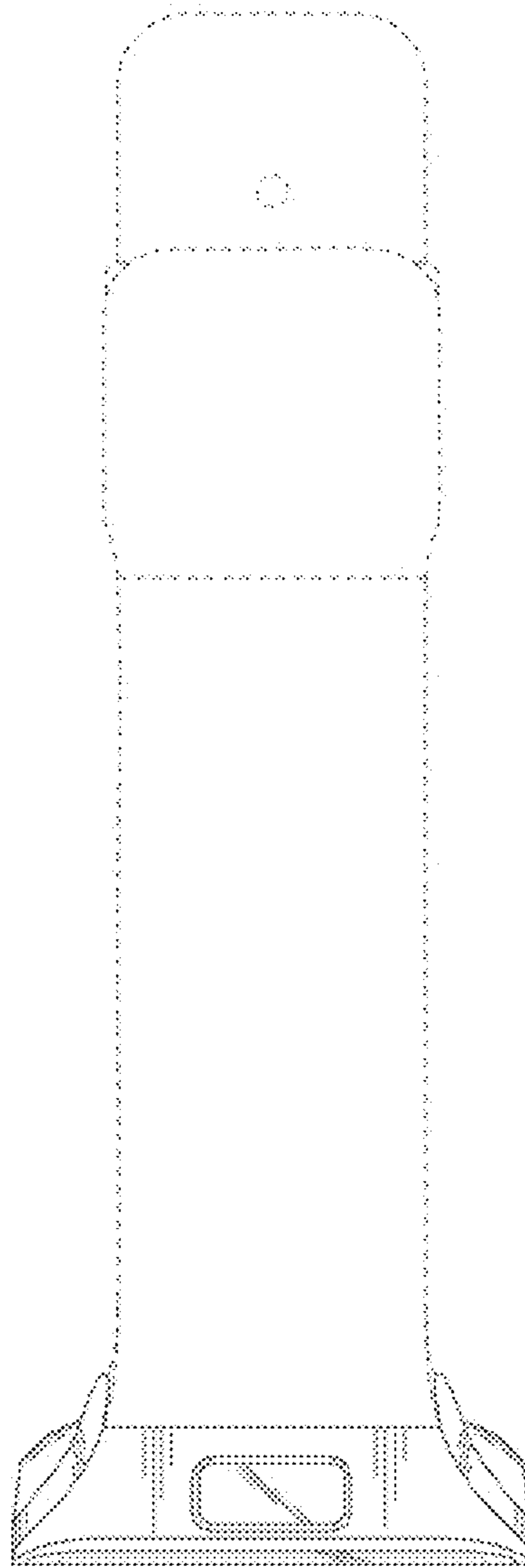


Fig. 7

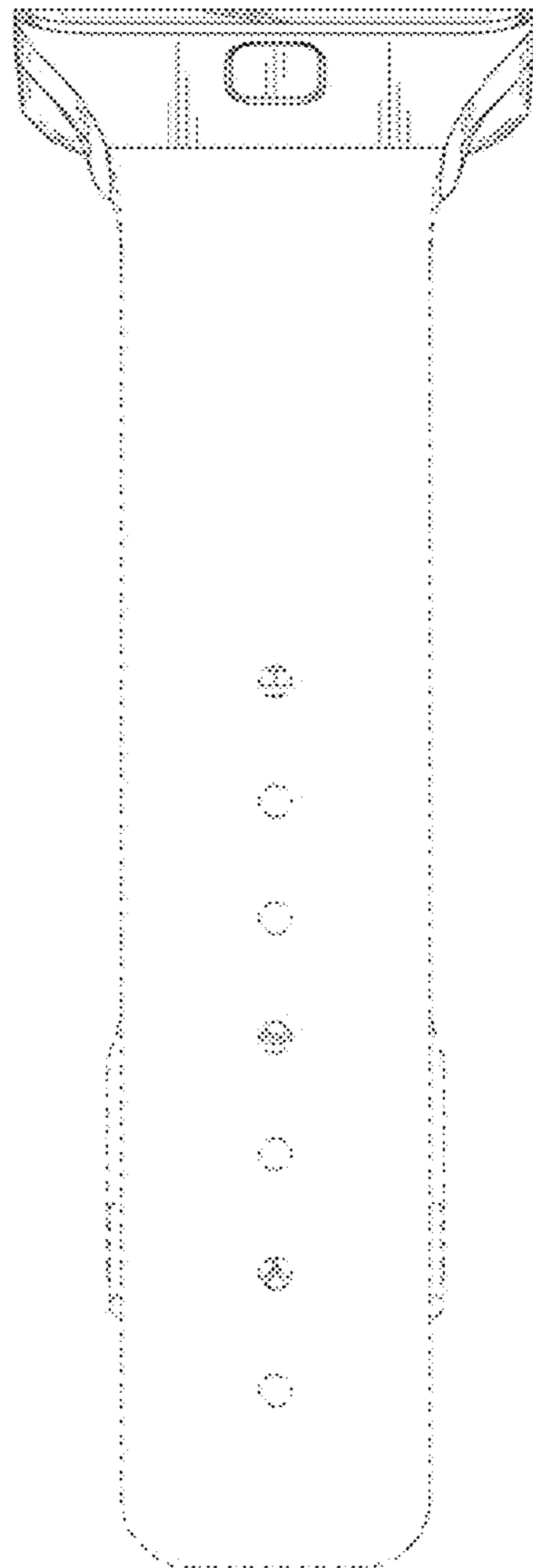


Fig. 8

