



US00D738235S

(12) **United States Design Patent**
Riegl

(10) **Patent No.:** **US D738,235 S**
(45) **Date of Patent:** **** Sep. 8, 2015**

(54) **LASER SCANNER**

(56) **References Cited**

(71) Applicant: **RIEGL Laser Measurement Systems GmbH, Horn (AT)**

U.S. PATENT DOCUMENTS

(72) Inventor: **Johannes Riegl, Trabenreith (AT)**

D574,276 S *	8/2008	Burkandt	D10/70
D612,756 S *	3/2010	D'Amelio et al.	D10/70
8,848,180 B1 *	9/2014	Vanneman et al.	356/139.05
2008/0052926 A1 *	3/2008	Parel et al.	33/286
2008/0155842 A1 *	7/2008	Kallabis	33/286
2010/0103406 A1 *	4/2010	Zimmermann	356/4.01
2010/0225896 A1 *	9/2010	Wolf et al.	356/4.01
2011/0266425 A1 *	11/2011	Kallabis	250/239

(73) Assignee: **Riegl Laser Measurement Systems GmbH, Horn (AT)**

* cited by examiner

(**) Term: **14 Years**

Primary Examiner — Antoine D Davis

(21) Appl. No.: **29/486,090**

(74) *Attorney, Agent, or Firm* — Hoffmann & Baron, LLP

(22) Filed: **Mar. 26, 2014**

(57) **CLAIM**

The ornamental design for a laser scanner, as shown and described.

(30) **Foreign Application Priority Data**

DESCRIPTION

Sep. 27, 2013 (EM) 002316927-0001

FIG. 1 is a perspective view of a laser scanner constructed in accordance with the invention;

(51) **LOC (10) Cl.** **10-04**

FIG. 2 is a front view of the laser scanner shown in FIG. 1;

(52) **U.S. Cl.**

FIG. 3 is a left side elevational view of the laser scanner shown in FIG. 1;

USPC **D10/66; D10/70**

FIG. 4 is a rear view of the laser scanner shown in FIG. 1;

(58) **Field of Classification Search**

USPC **D10/70, 66, 69**

FIG. 5 is a right side elevational view of a laser scanner shown in FIG. 1;

CPC .. **G01C 15/002; G01C 15/004; G01C 15/006;**

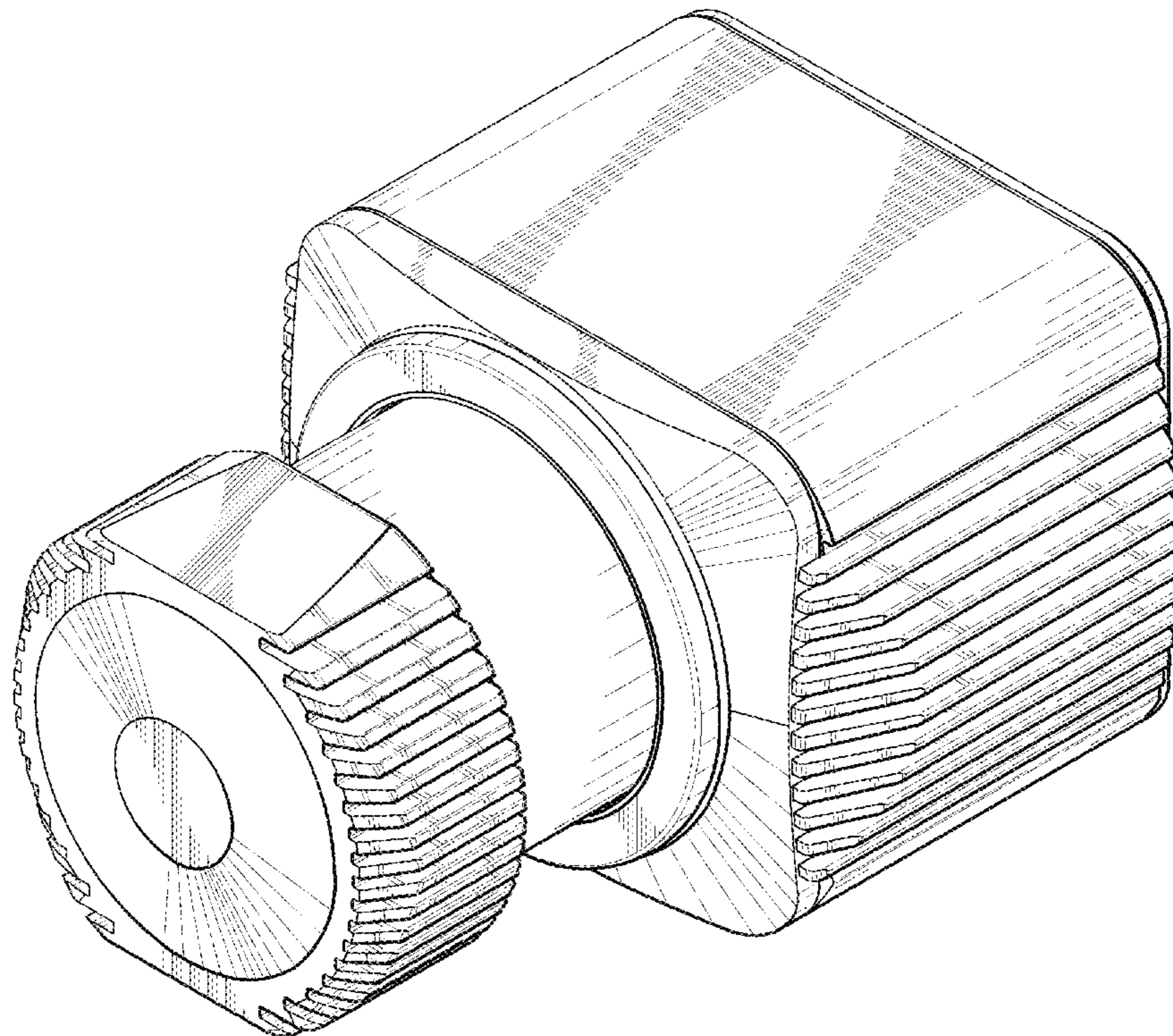
FIG. 6 is a top elevation view of the laser scanner shown in FIG. 1; and,

G01C 15/008; G01C 15/02

FIG. 7 is a bottom elevation view of the laser scanner shown in FIG. 1.

See application file for complete search history.

1 Claim, 7 Drawing Sheets



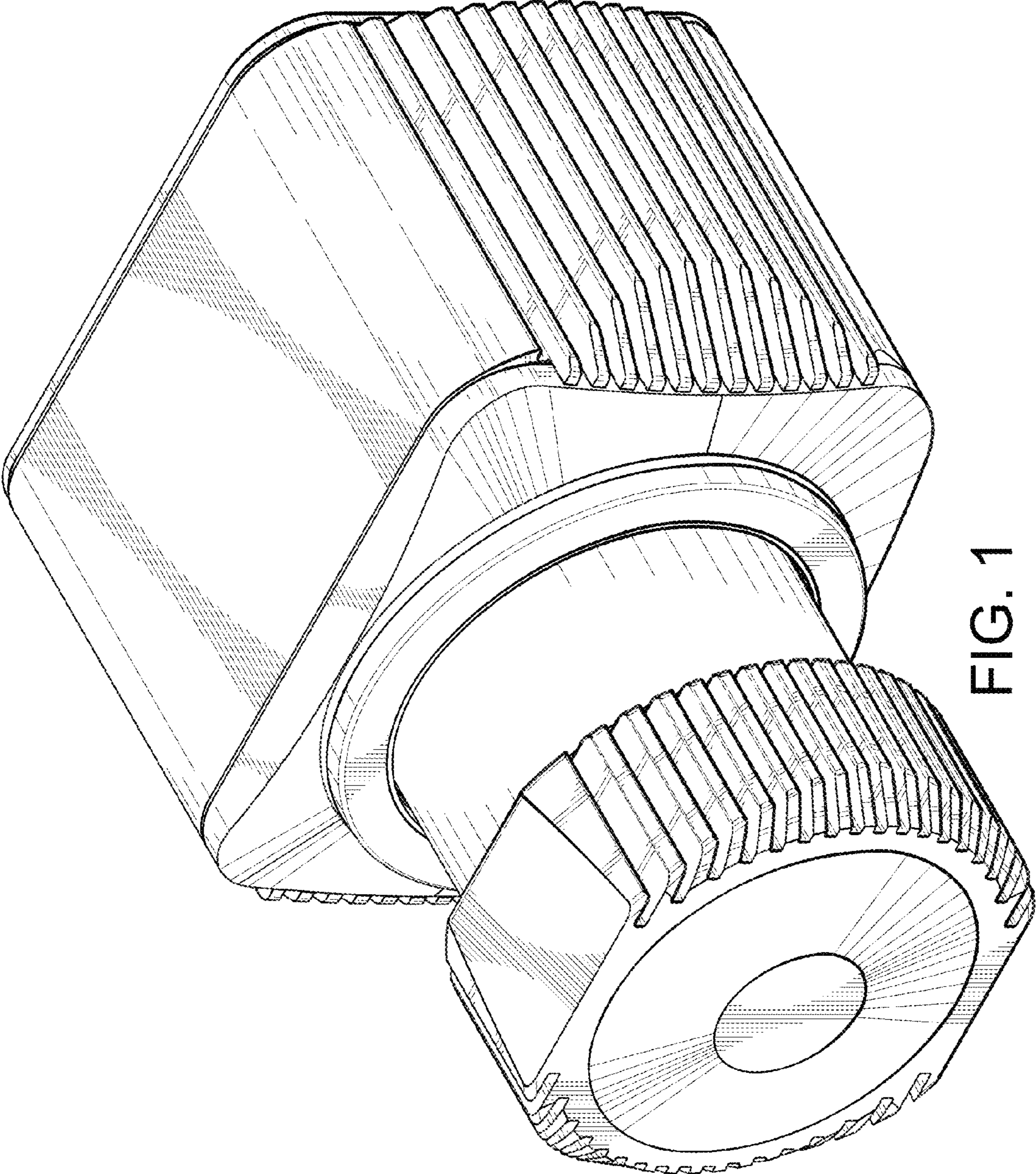


FIG. 1

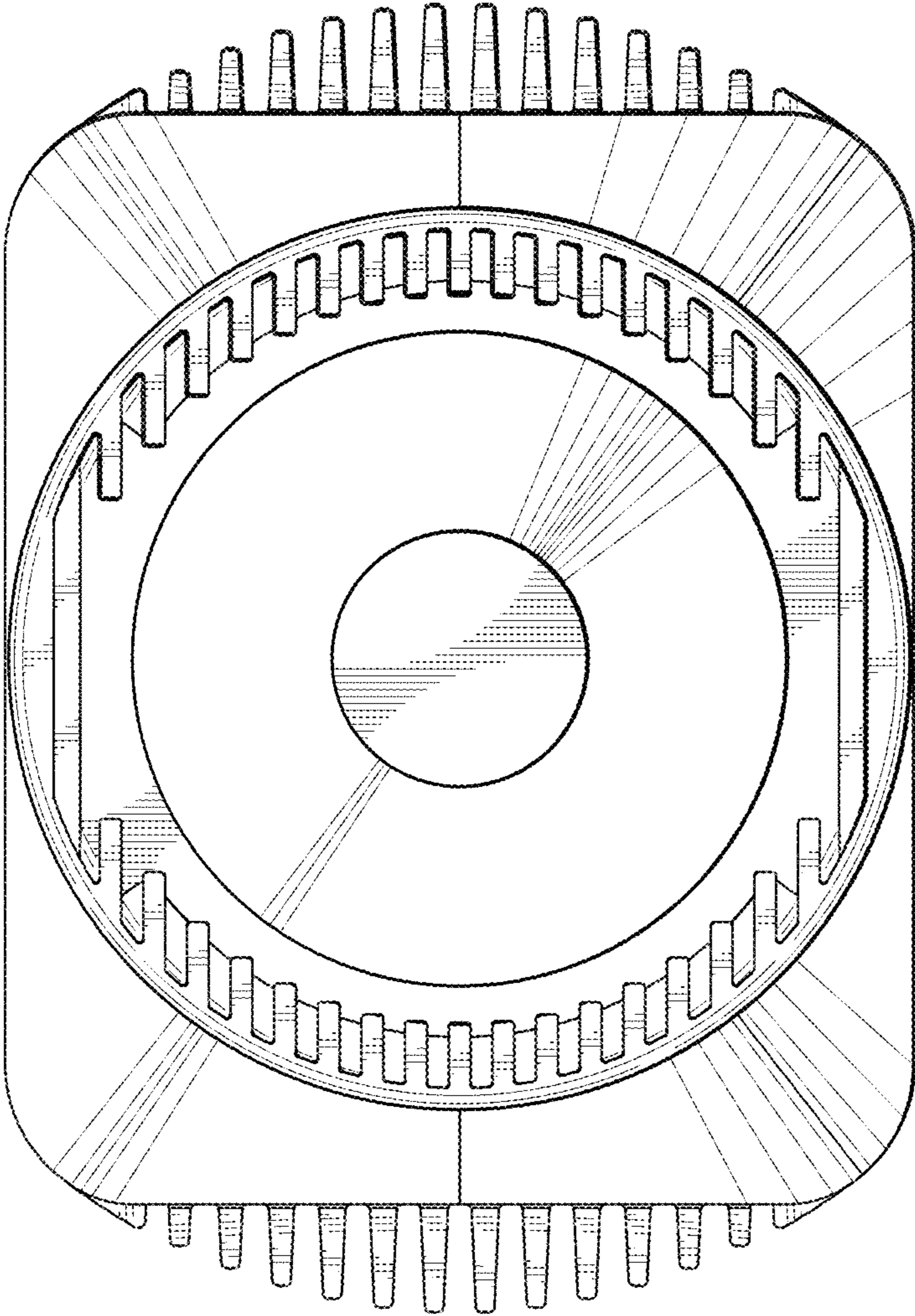


FIG. 2

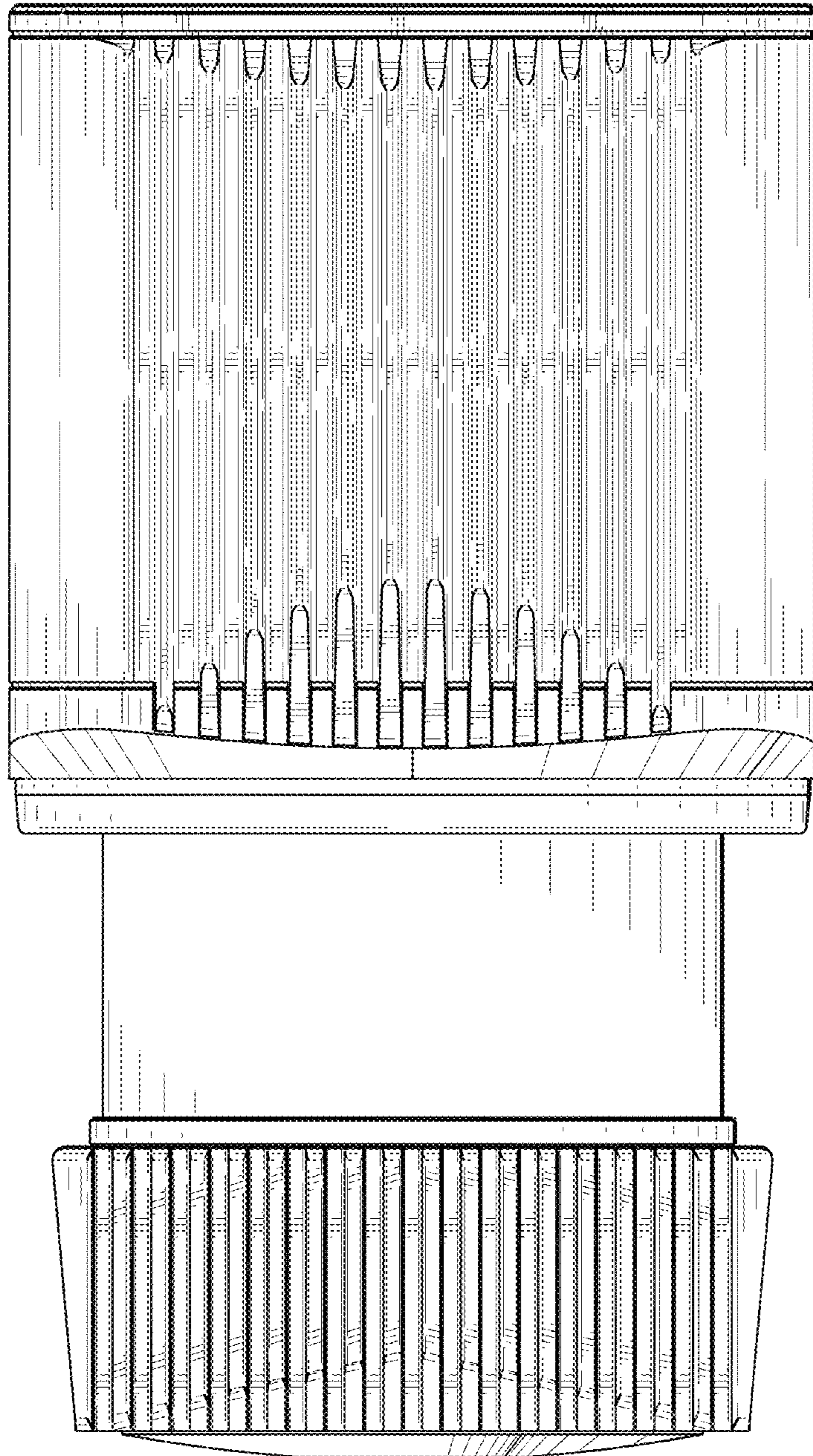


FIG. 3

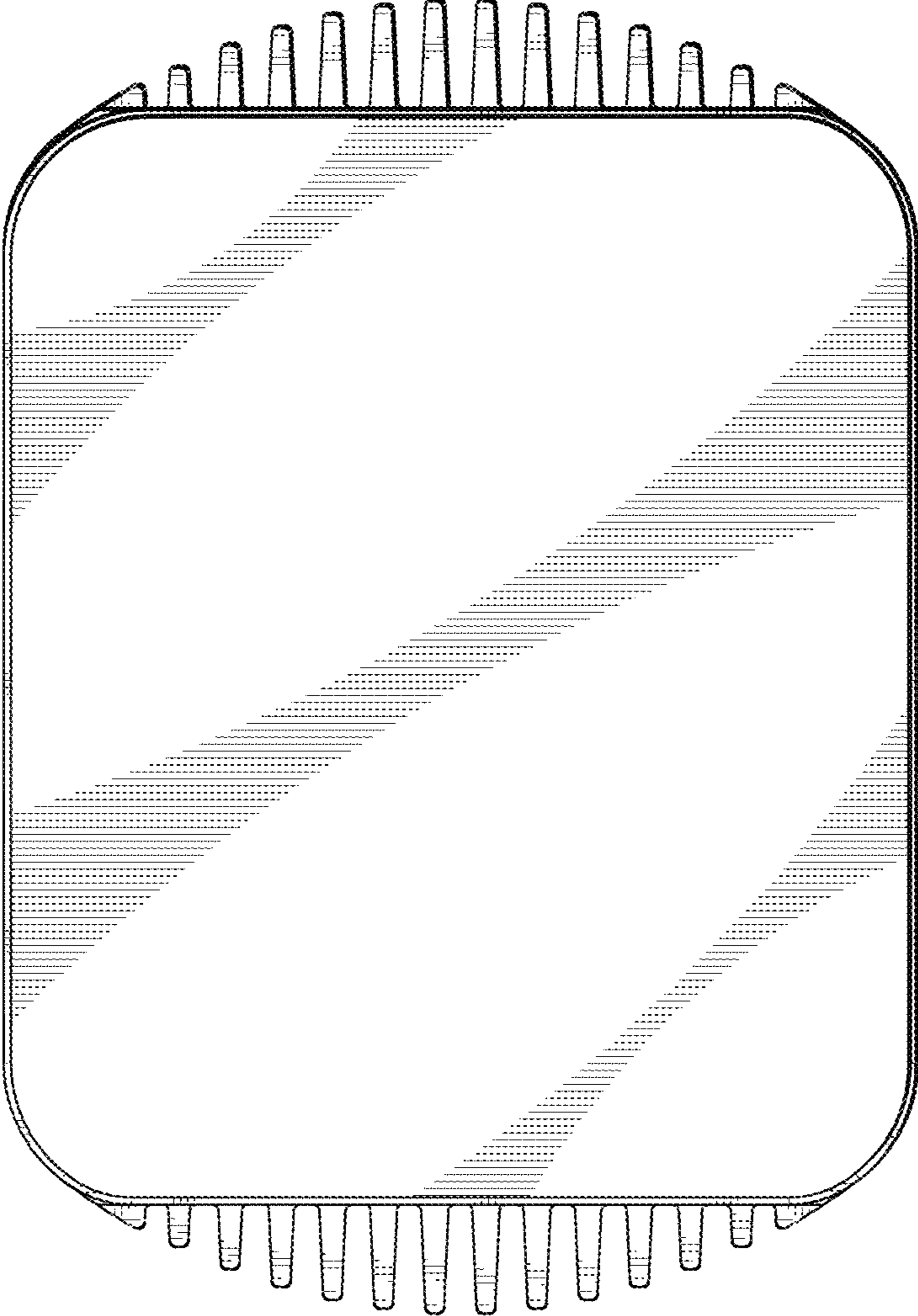


FIG. 4

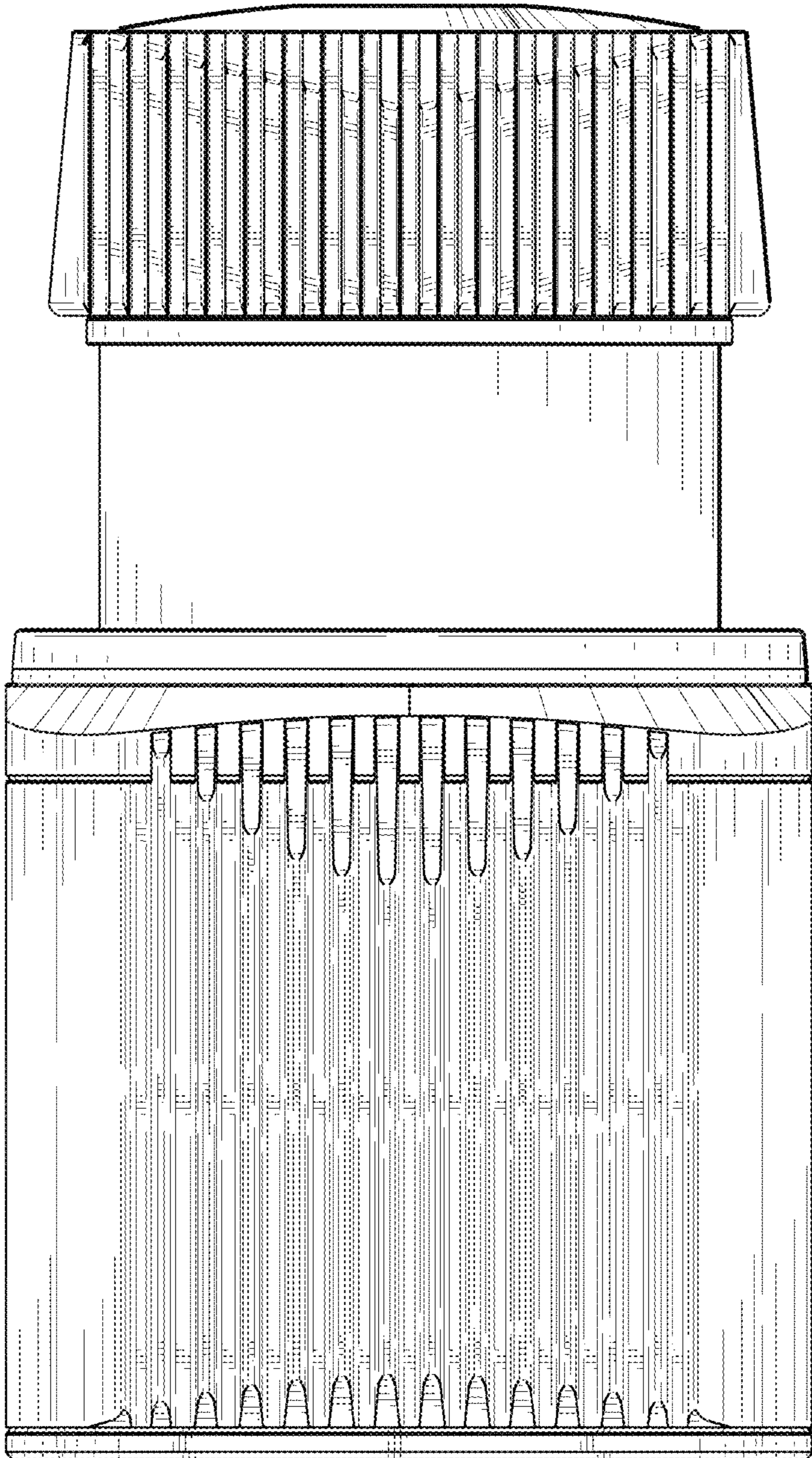


FIG. 5

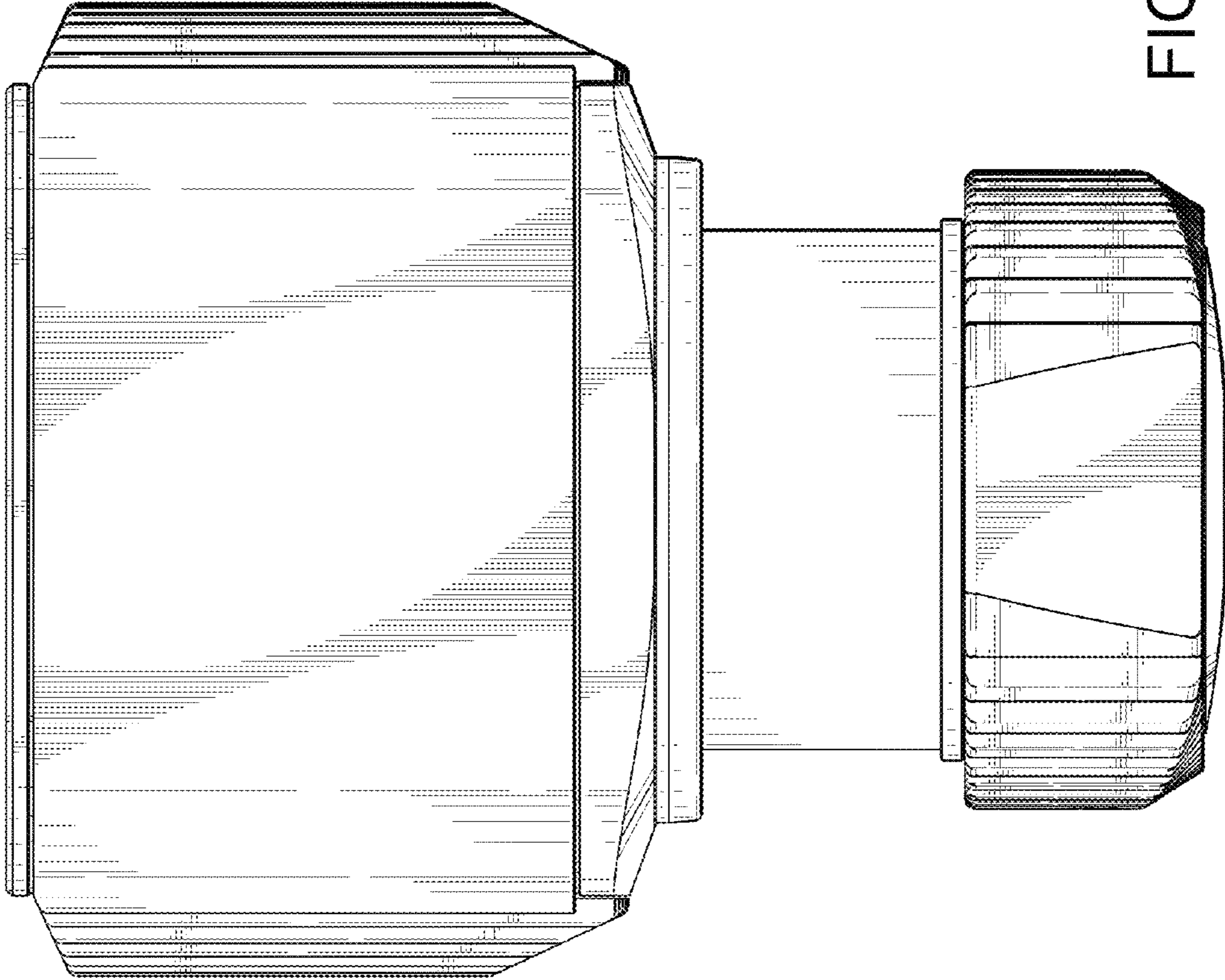


FIG. 6

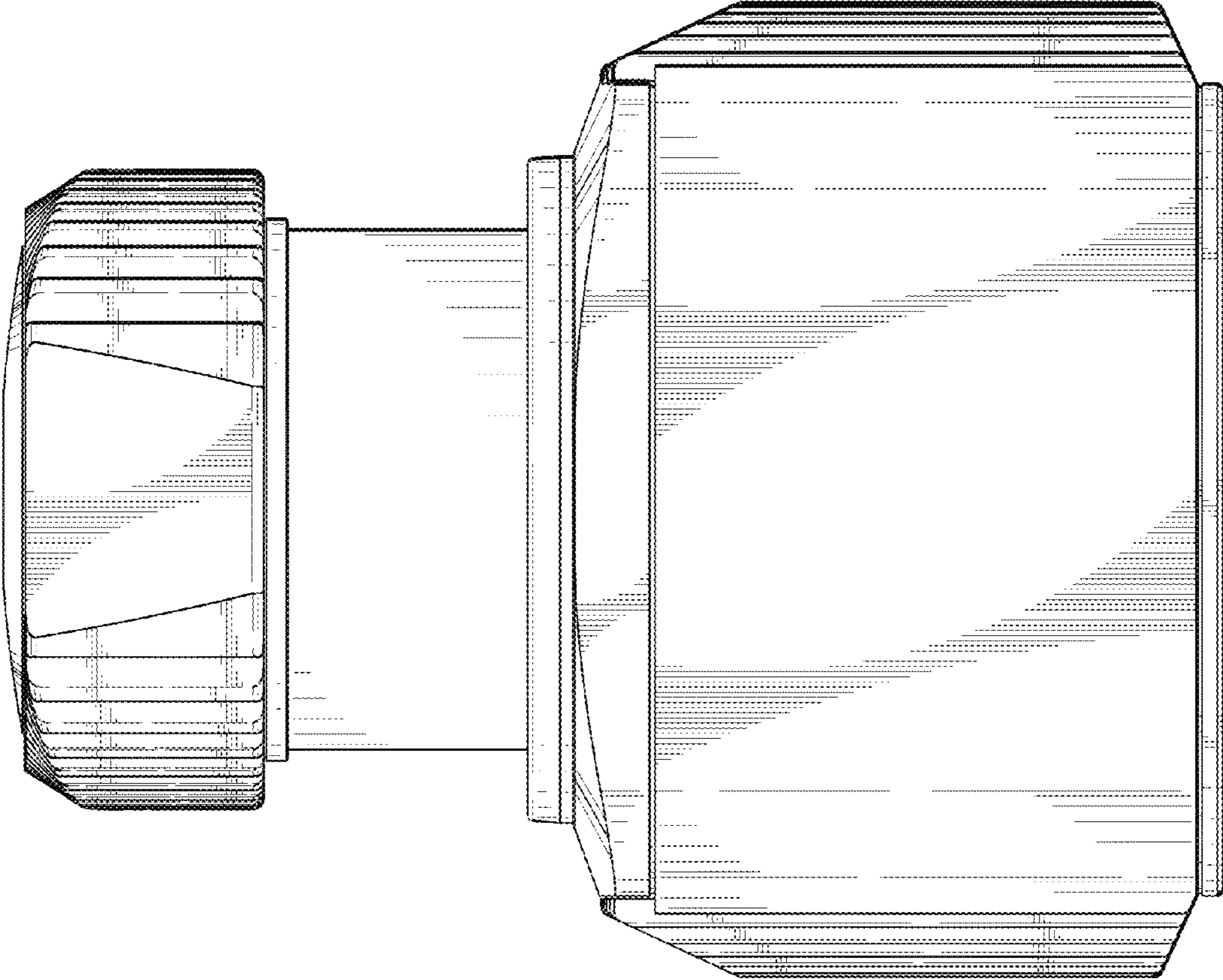


FIG. 7