

US00D738233S

(12) **United States Design Patent**
Repp

(10) **Patent No.:** **US D738,233 S**

(45) **Date of Patent:** **** Sep. 8, 2015**

(54) **TEMPERATURE DISPLAY DEVICE**

(71) Applicant: **Timothy C. Repp**, Barkhamsted, CT (US)

(72) Inventor: **Timothy C. Repp**, Barkhamsted, CT (US)

(73) Assignee: **iDevices, LLC**, Avon, CT (US)

(**) Term: **14 Years**

(21) Appl. No.: **29/508,286**

(22) Filed: **Nov. 4, 2014**

(51) **LOC (10) Cl.** **10-04**

(52) **U.S. Cl.**
USPC **D10/57**

(58) **Field of Classification Search**

USPC D10/57-58, 60, 103; 374/120-152, 374/170-171, 208

CPC G01J 5/00-2005/626; G01K 1/00-1/26; G01K 3/00-2003/145; G01K 5/00-5/72; G01K 7/00-7/427; G01K 9/00; G01K 11/00-2011/324; G01K 13/00-13/125; G01K 15/00-15/007

See application file for complete search history.

(56) **References Cited**

U.S. PATENT DOCUMENTS

5,746,114 A 5/1998 Harris
6,046,674 A 4/2000 Irwin et al.
6,080,972 A 6/2000 May

(Continued)

OTHER PUBLICATIONS

Brookstone, Grill Alert™. Talking Remote Meat Thermometer Instructions, Mar. 18, 2005.

(Continued)

Primary Examiner — Antoine D Davis

(74) *Attorney, Agent, or Firm* — McCarter & English, LLP

(57) **CLAIM**

The ornamental design for a temperature display device, as shown and described.

DESCRIPTION

FIG. 1 is a front perspective view of a first embodiment of a temperature display device showing the present invention;

FIG. 2 is a front elevational view thereof;

FIG. 3 is a rear elevational view thereof;

FIG. 4 is a top plan view thereof; and

FIG. 5 is a bottom plan view thereof.

FIG. 6 is a left elevational view thereof; and

FIG. 7 is a right elevational view thereof.

FIG. 8 is a front perspective view of a second embodiment of a temperature display device showing the present invention;

FIG. 9 is a front elevational view thereof;

FIG. 10 is a rear elevational view thereof;

FIG. 11 is a top plan view thereof; and

FIG. 12 is a bottom plan view thereof.

FIG. 13 is a left elevational view thereof; and

FIG. 14 is a right elevational view thereof.

FIG. 15 is a rear bottom perspective view of a third embodiment of a temperature display device showing the present invention;

FIG. 16 is a front elevational view thereof;

FIG. 17 is a rear elevational view thereof;

FIG. 18 is a top plan view thereof; and

FIG. 19 is a bottom plan view thereof.

FIG. 20 is a left elevational view thereof; and

FIG. 21 is a right elevational view thereof.

FIG. 22 is a rear bottom perspective view of a fourth embodiment of a temperature display device showing the present invention;

FIG. 23 is a front elevational view thereof;

FIG. 24 is a rear elevational view thereof;

FIG. 25 is a top plan view thereof; and

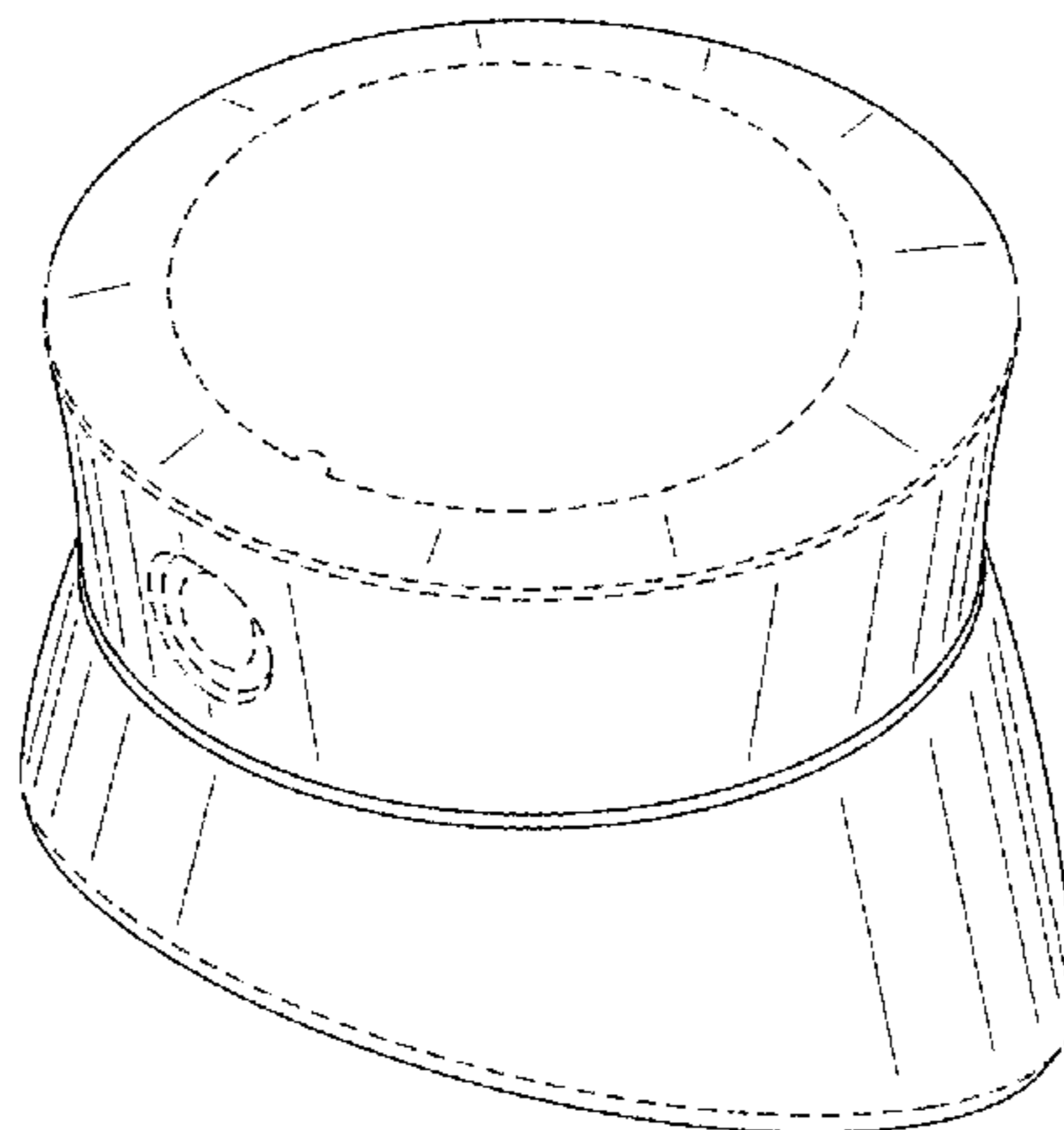
FIG. 26 is a bottom plan view thereof.

FIG. 27 is a left elevational view thereof; and,

FIG. 28 is a right elevational view thereof.

The broken lines in the figures show structure or boundaries that form no part of the claimed design, but rather show the environment in which the design is associated, or show portions of the article in which the design is embodied or applied that are not considered part of the claimed design.

1 Claim, 28 Drawing Sheets



(56)

References Cited

U.S. PATENT DOCUMENTS

6,539,842 B1 4/2003 Chapman et al.
6,712,505 B2 3/2004 Chapman et al.
6,811,308 B2 11/2004 Chapman et al.
6,850,861 B1 2/2005 Faiola et al.
7,066,644 B2* 6/2006 Padgett 374/208
7,128,466 B2 10/2006 Chang et al.
7,201,099 B2 4/2007 Harris, Jr. et al.
D565,438 S * 4/2008 Serre D10/57
7,372,368 B2 5/2008 Chapman et al.
7,703,389 B2 4/2010 McLemore et al.

D666,929 S * 9/2012 Tyler D10/57
8,931,400 B1 1/2015 Allen
D724,448 S * 3/2015 Lee D10/50
D725,285 S * 3/2015 Wohlstadter et al. D24/216
2003/0202558 A1 10/2003 Chung et al.
2010/0303972 A1 12/2010 Srivastava

OTHER PUBLICATIONS

Weber Style™ Digital Thermometer(available prior to May 28, 2009) [Http://stor.weber.com/items/WeberStyle/Detail.aspx?pid=1131](http://stor.weber.com/items/WeberStyle/Detail.aspx?pid=1131).

* cited by examiner

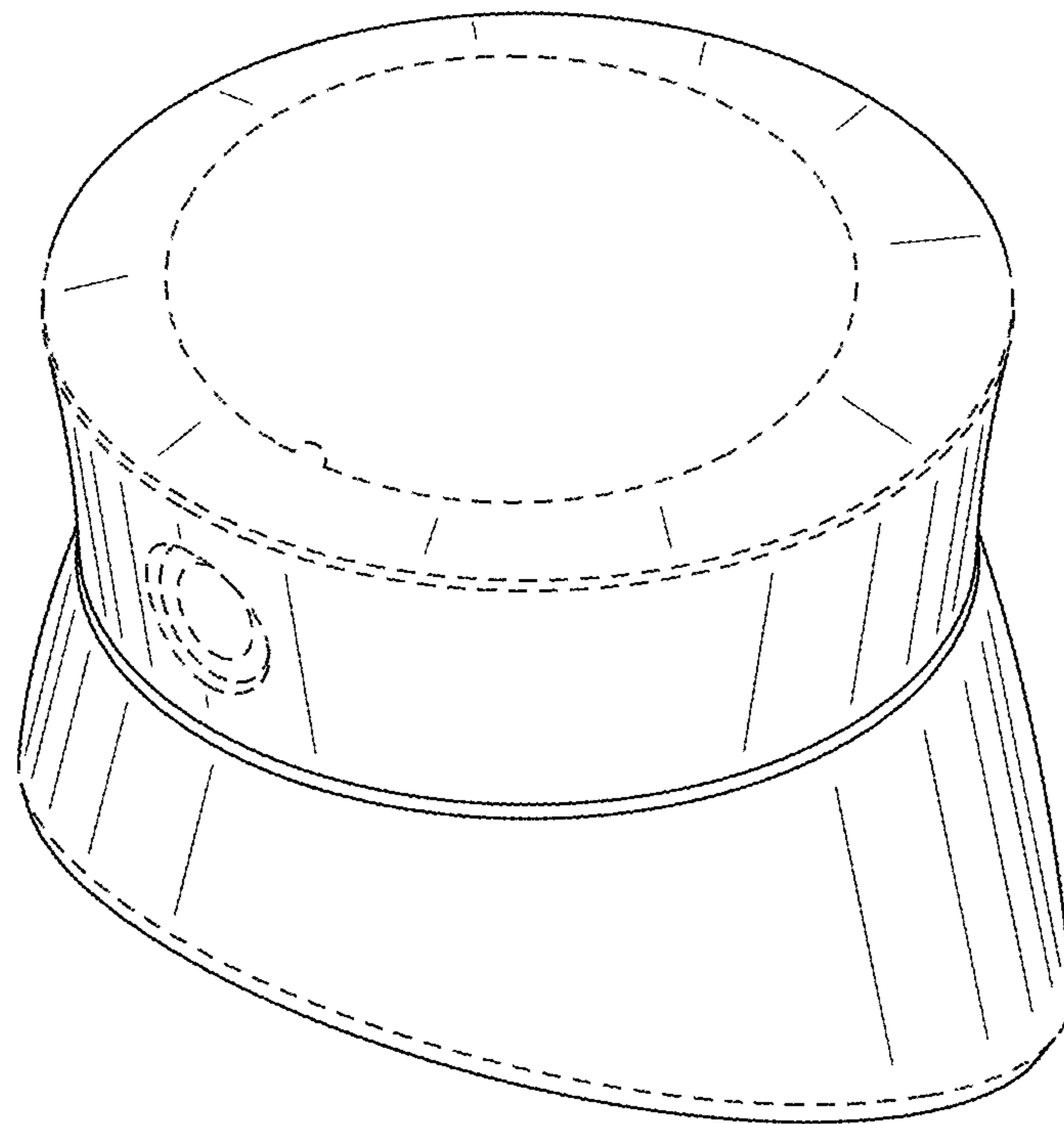


FIG. 1

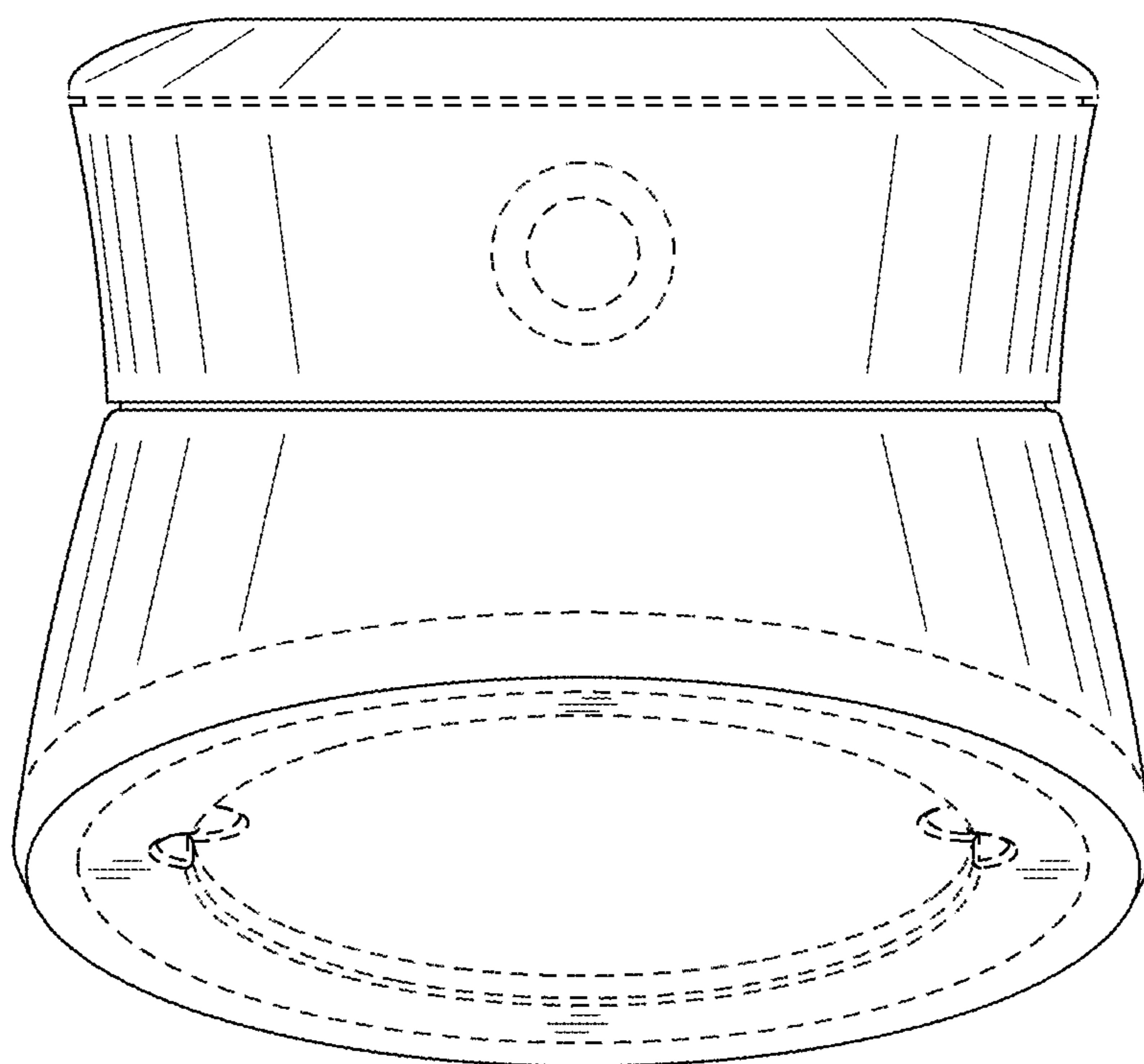


FIG. 2

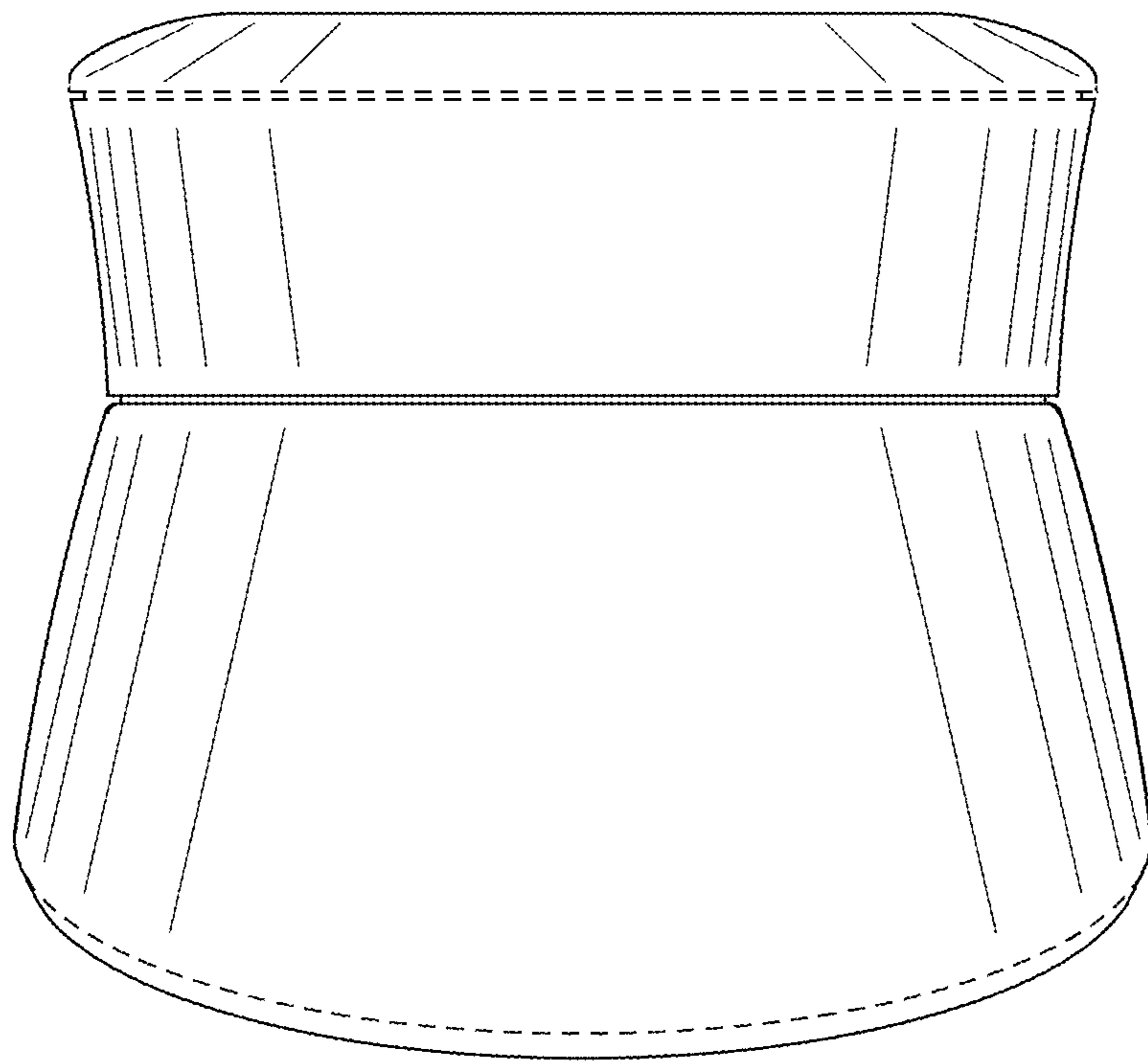


FIG. 3

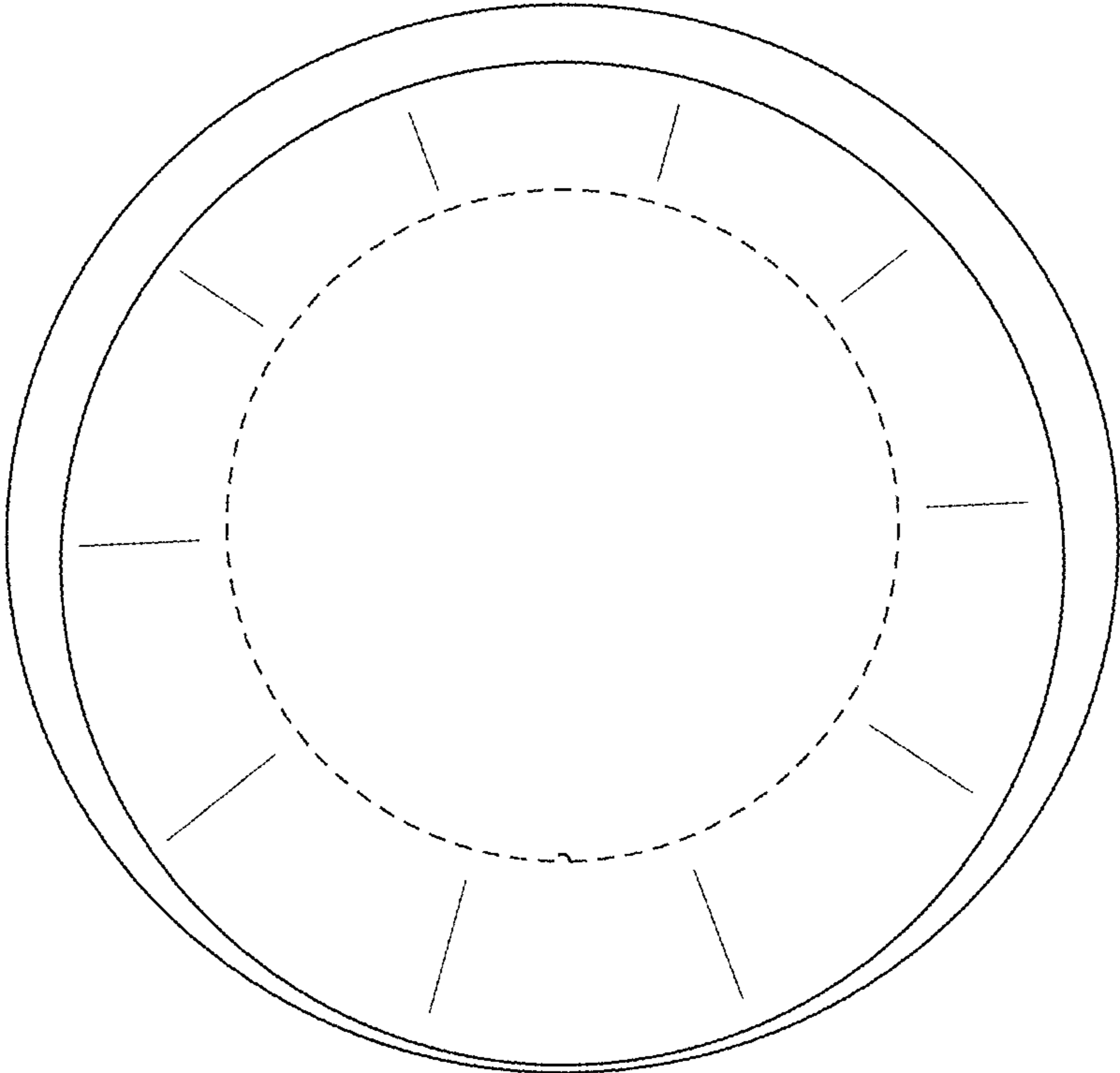


FIG. 4

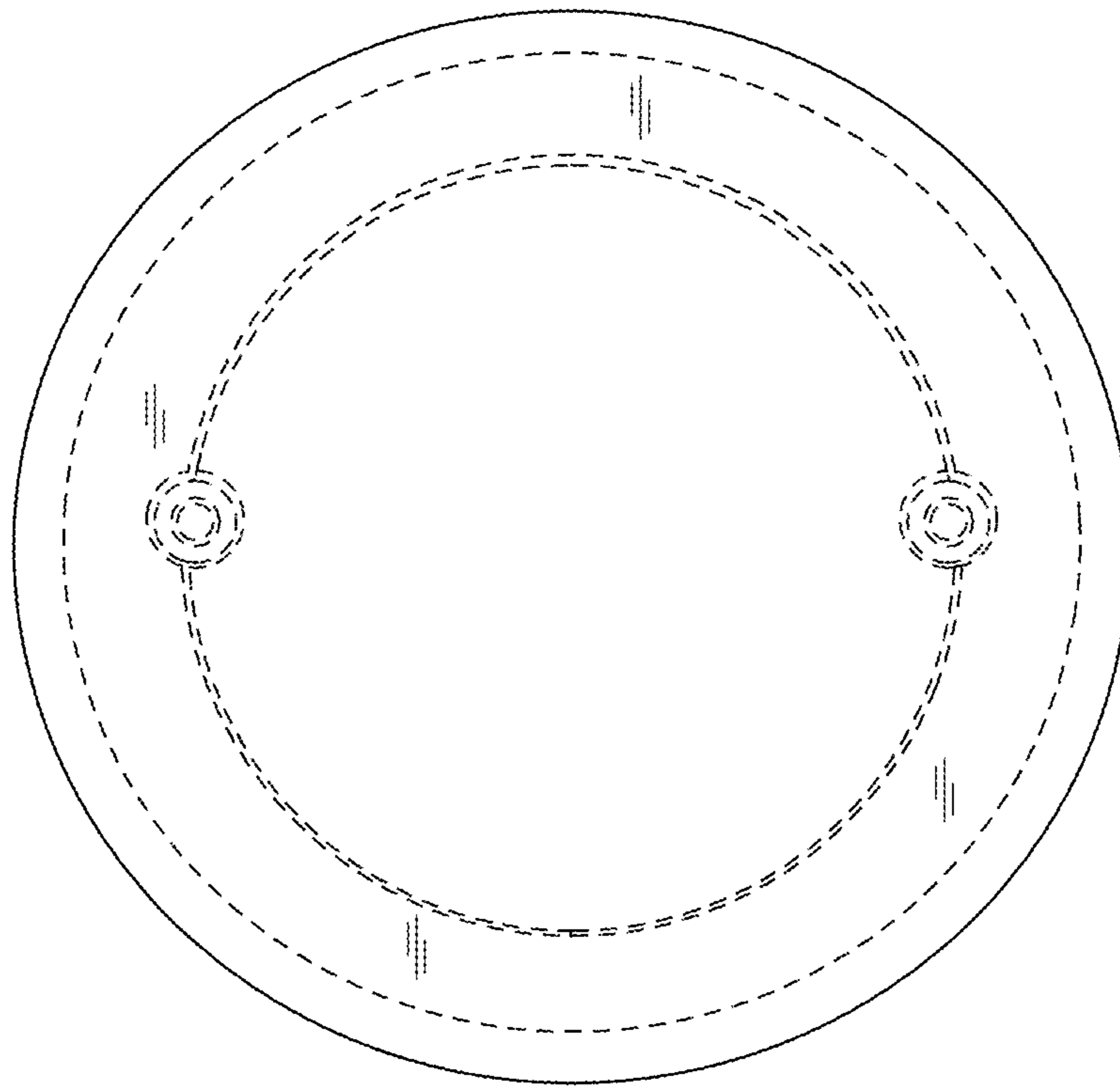


FIG. 5

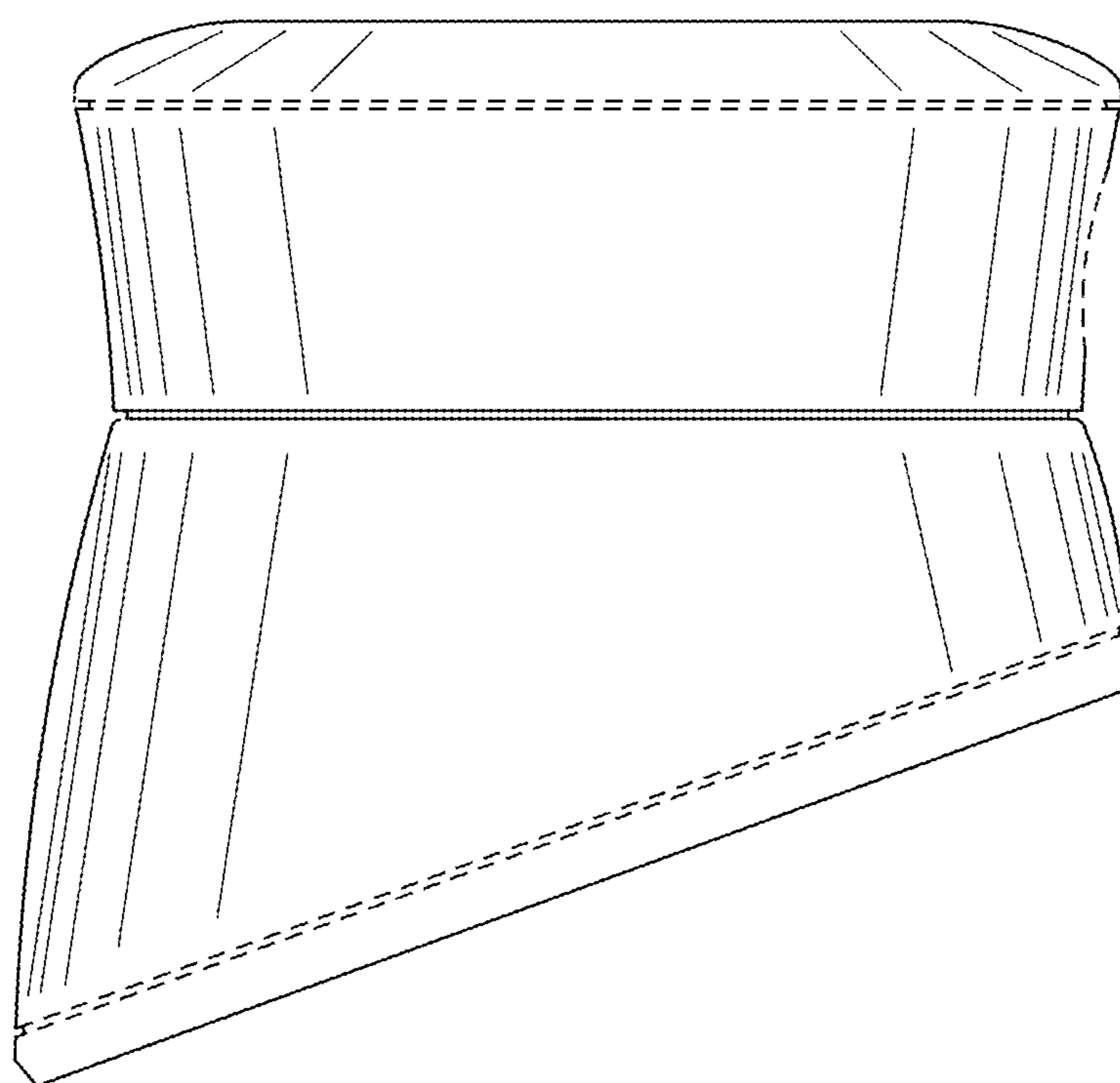


FIG. 6

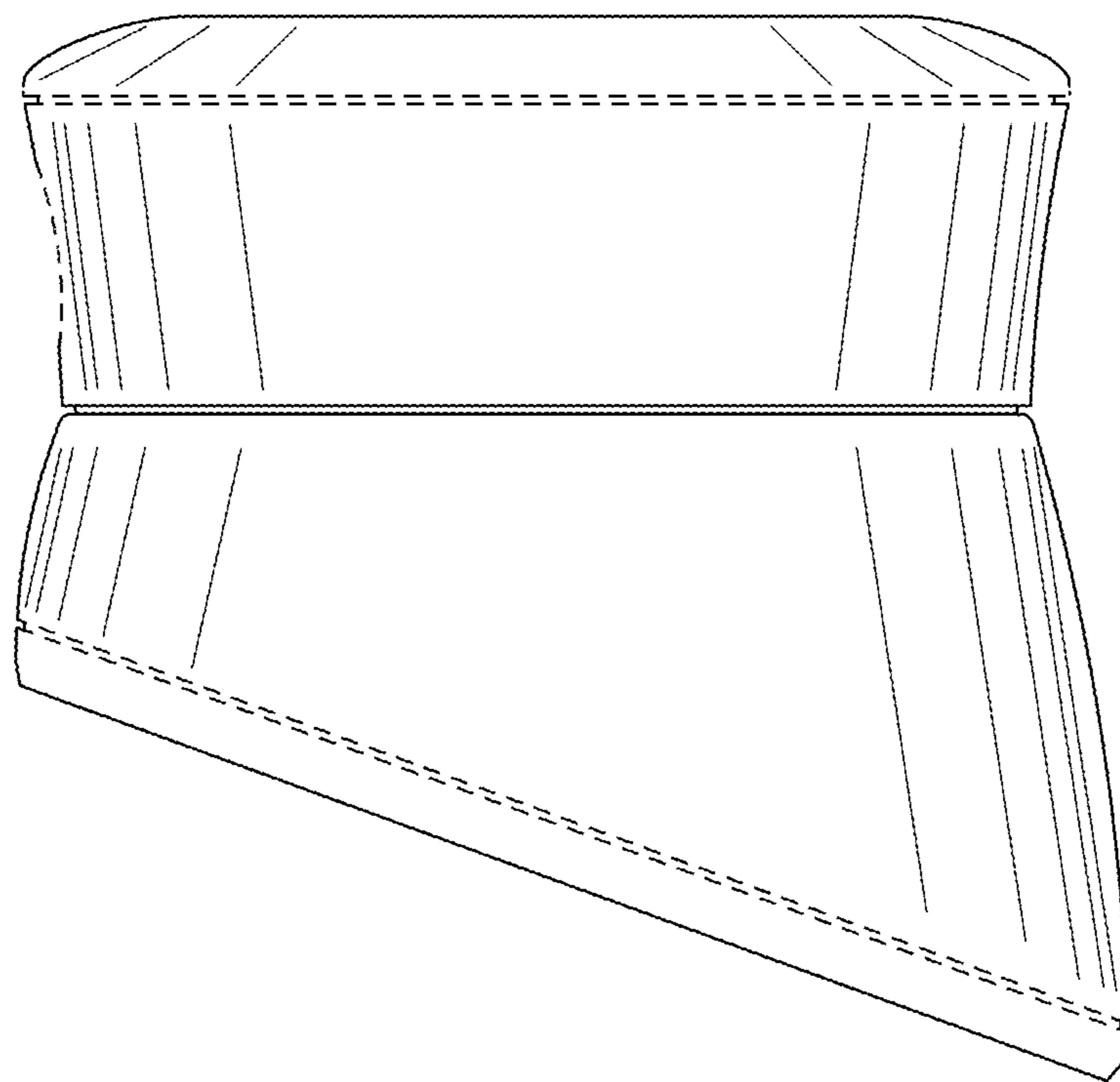


FIG. 7

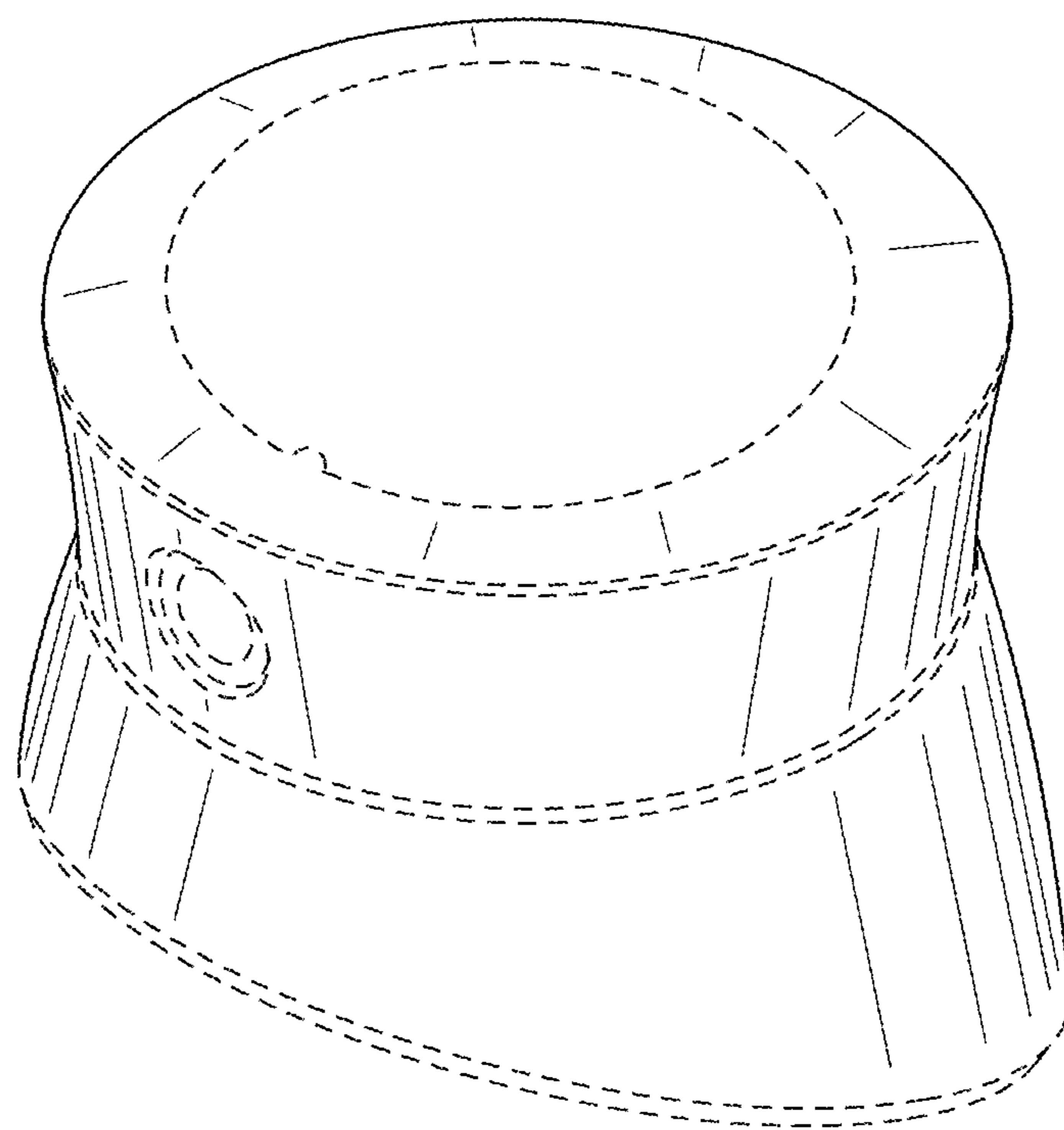


FIG. 8

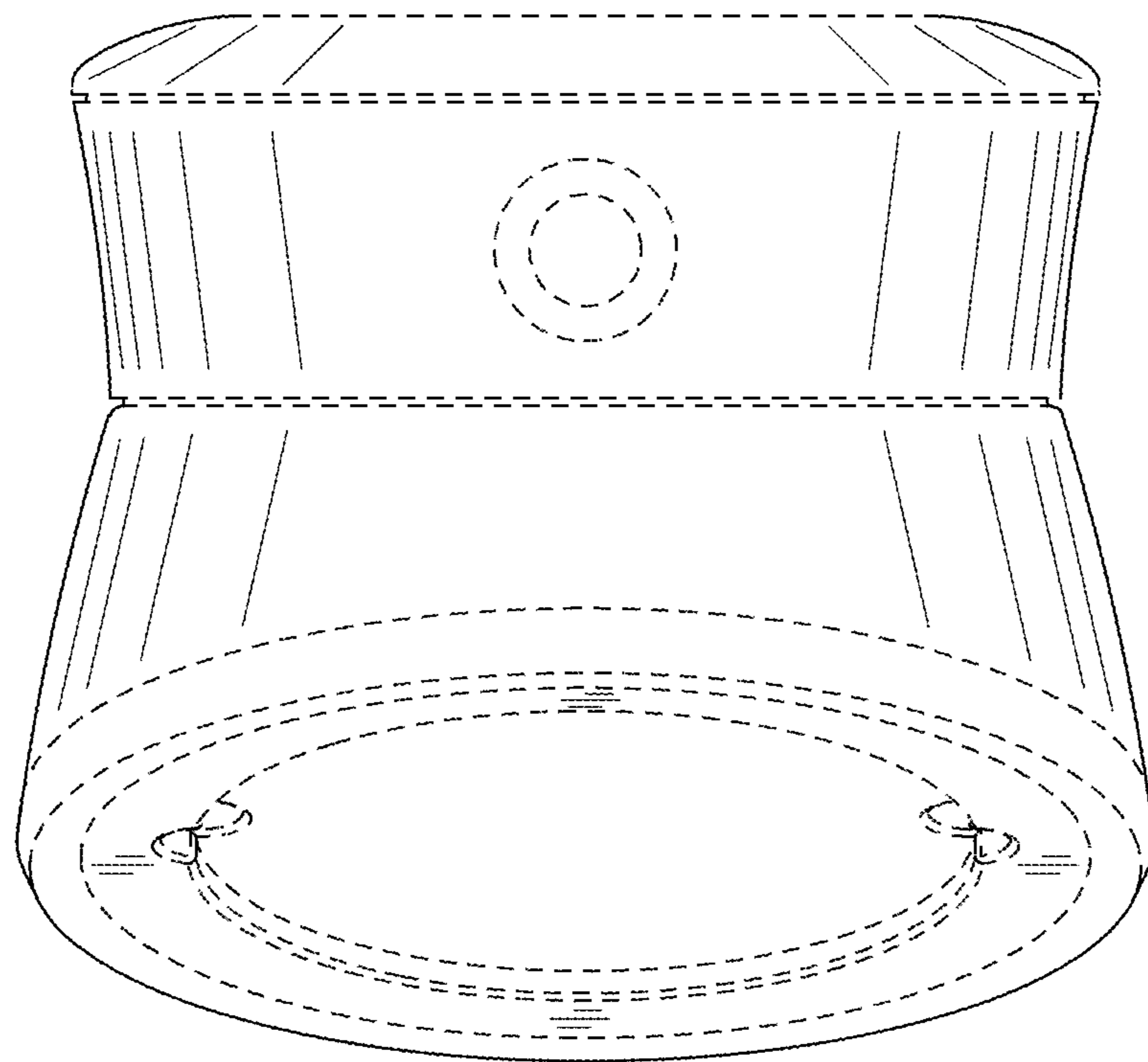


FIG. 9

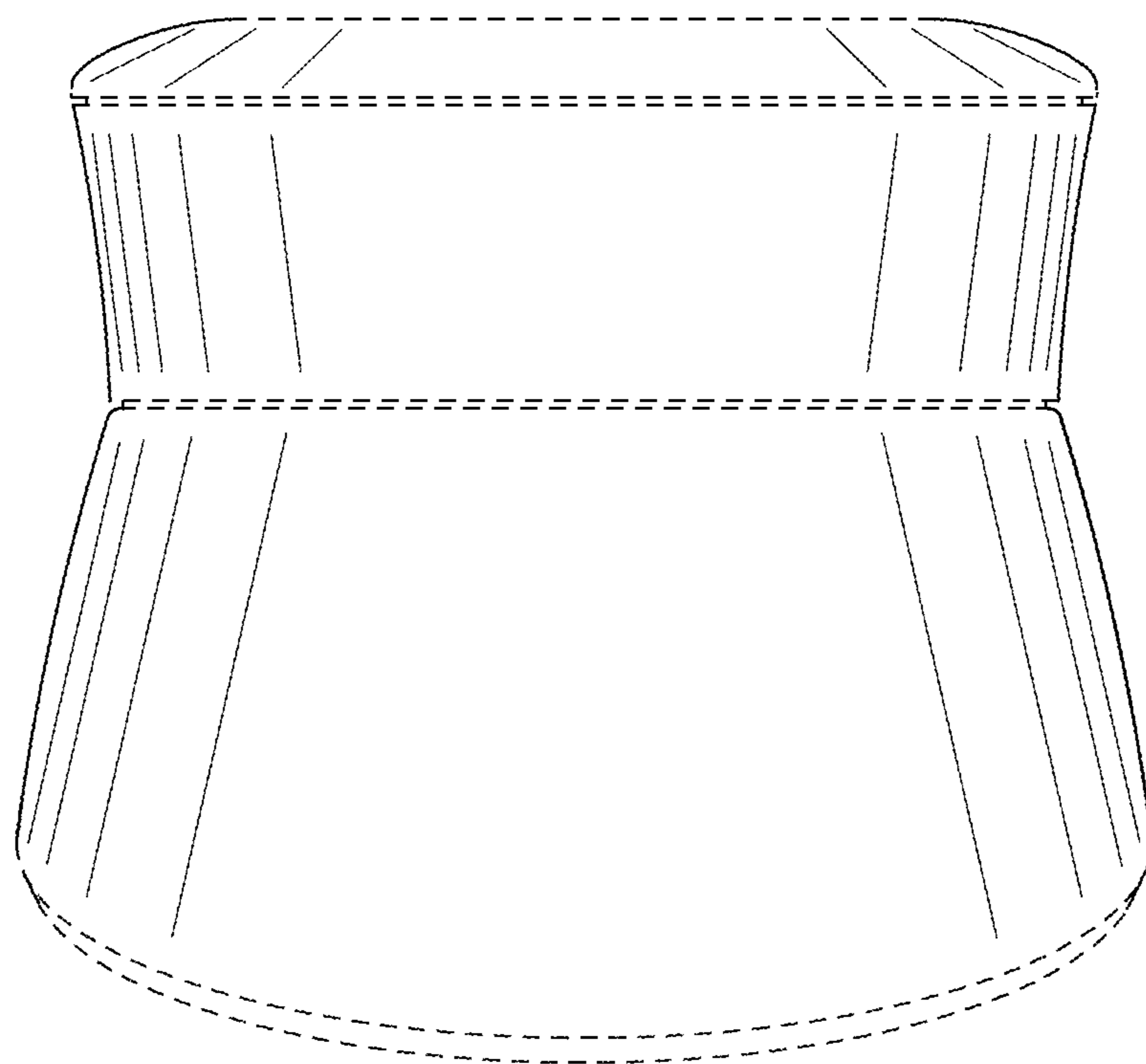


FIG. 10

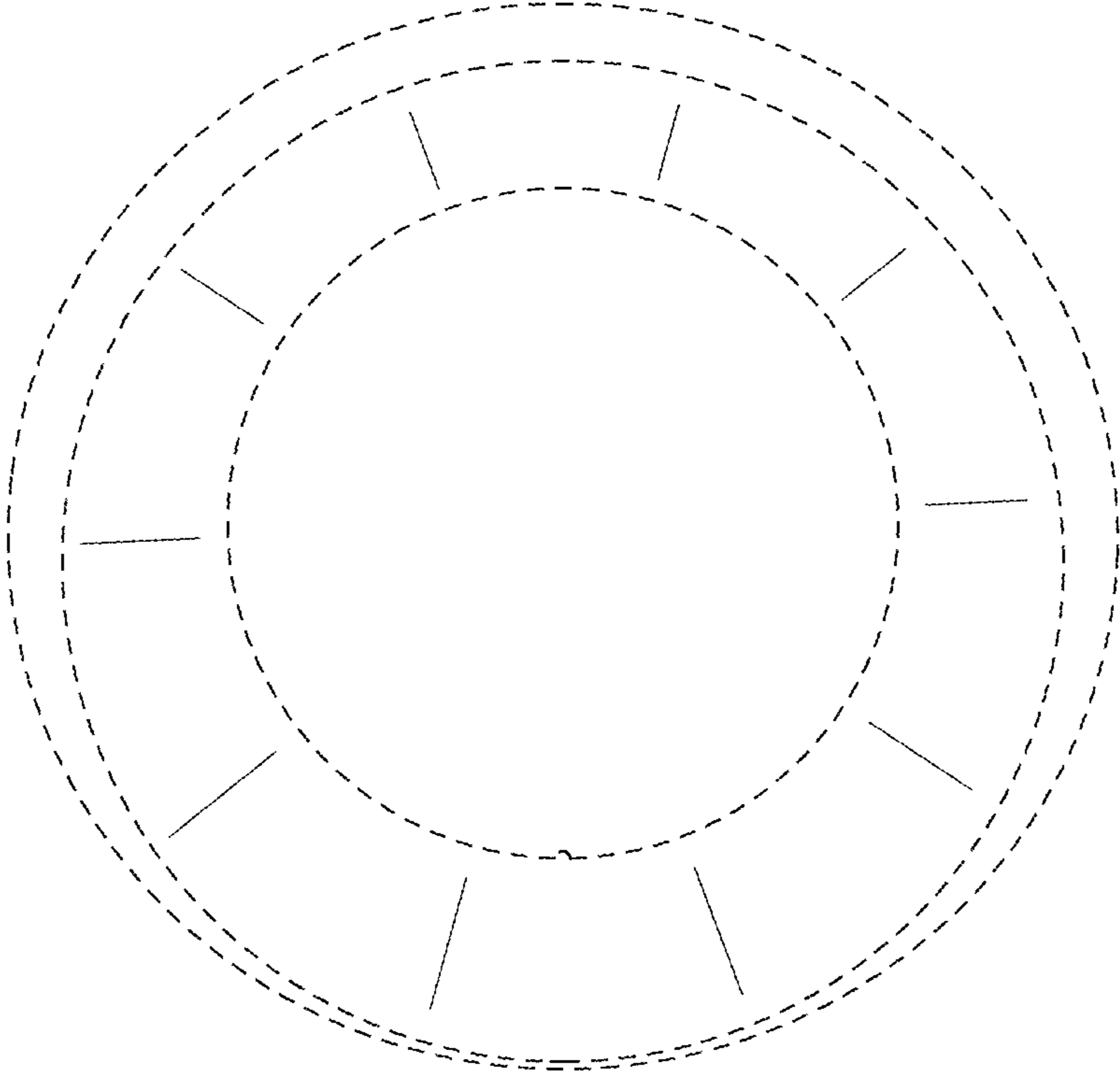


FIG. 11

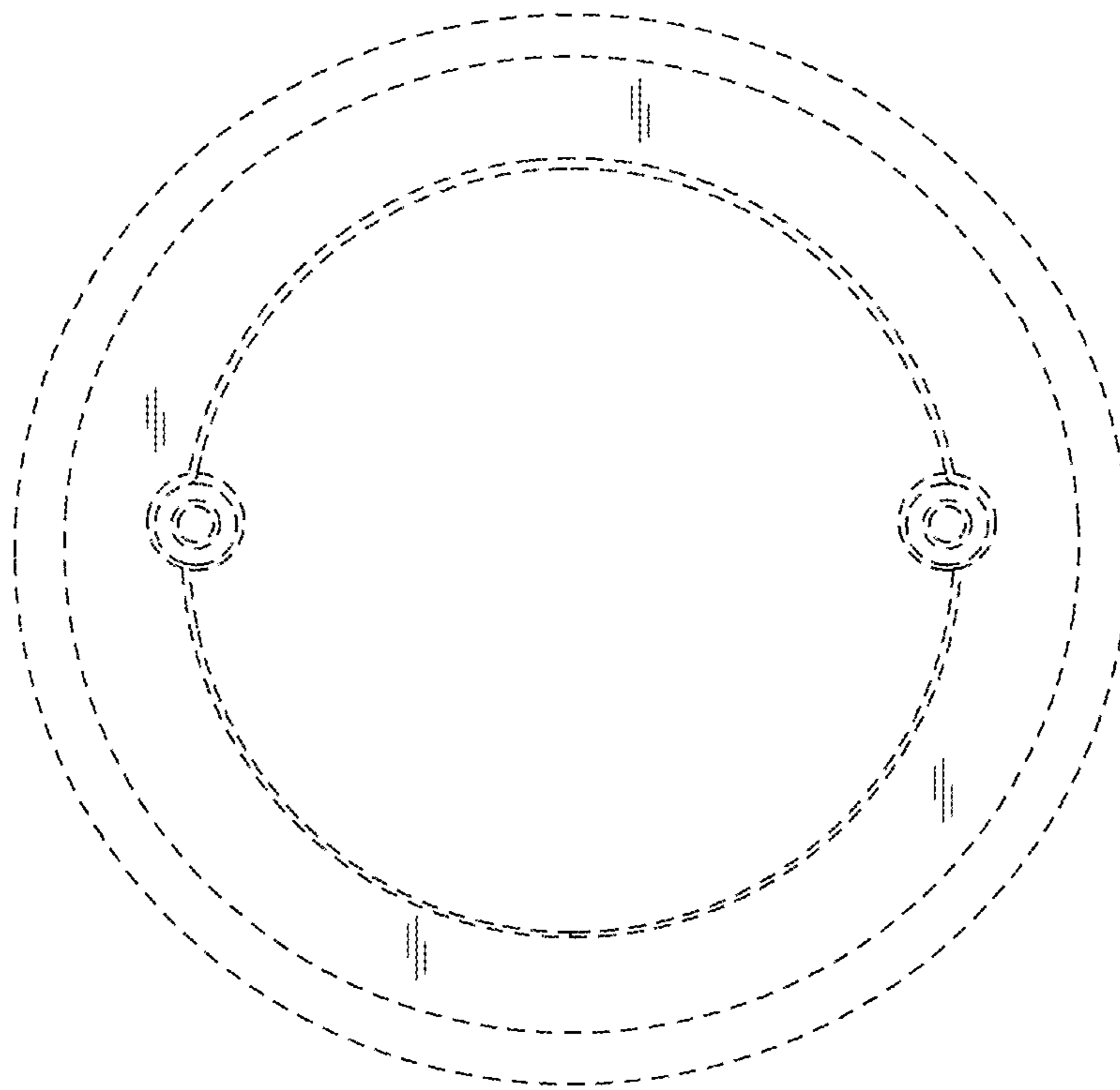


FIG. 12

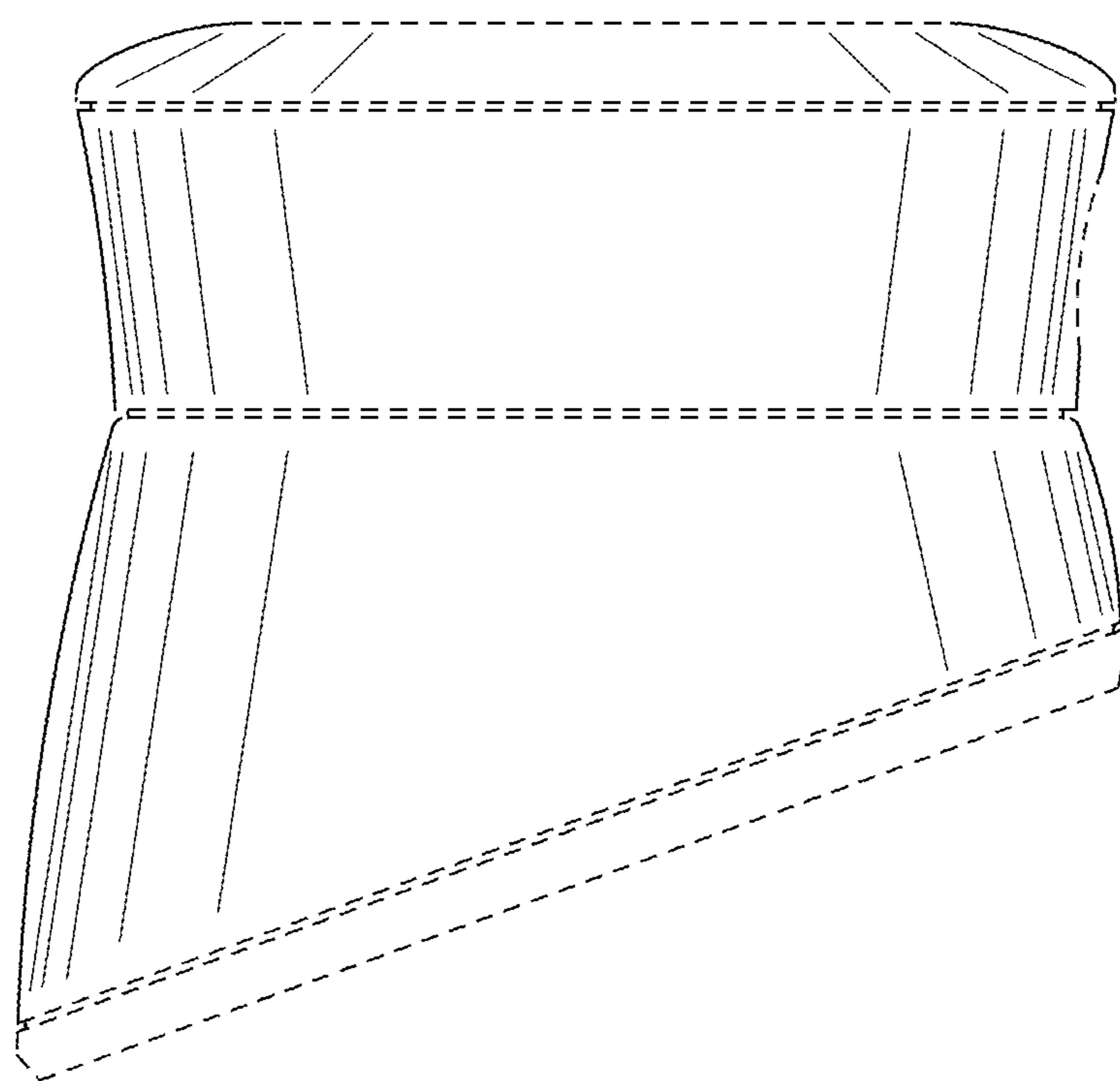


FIG. 13

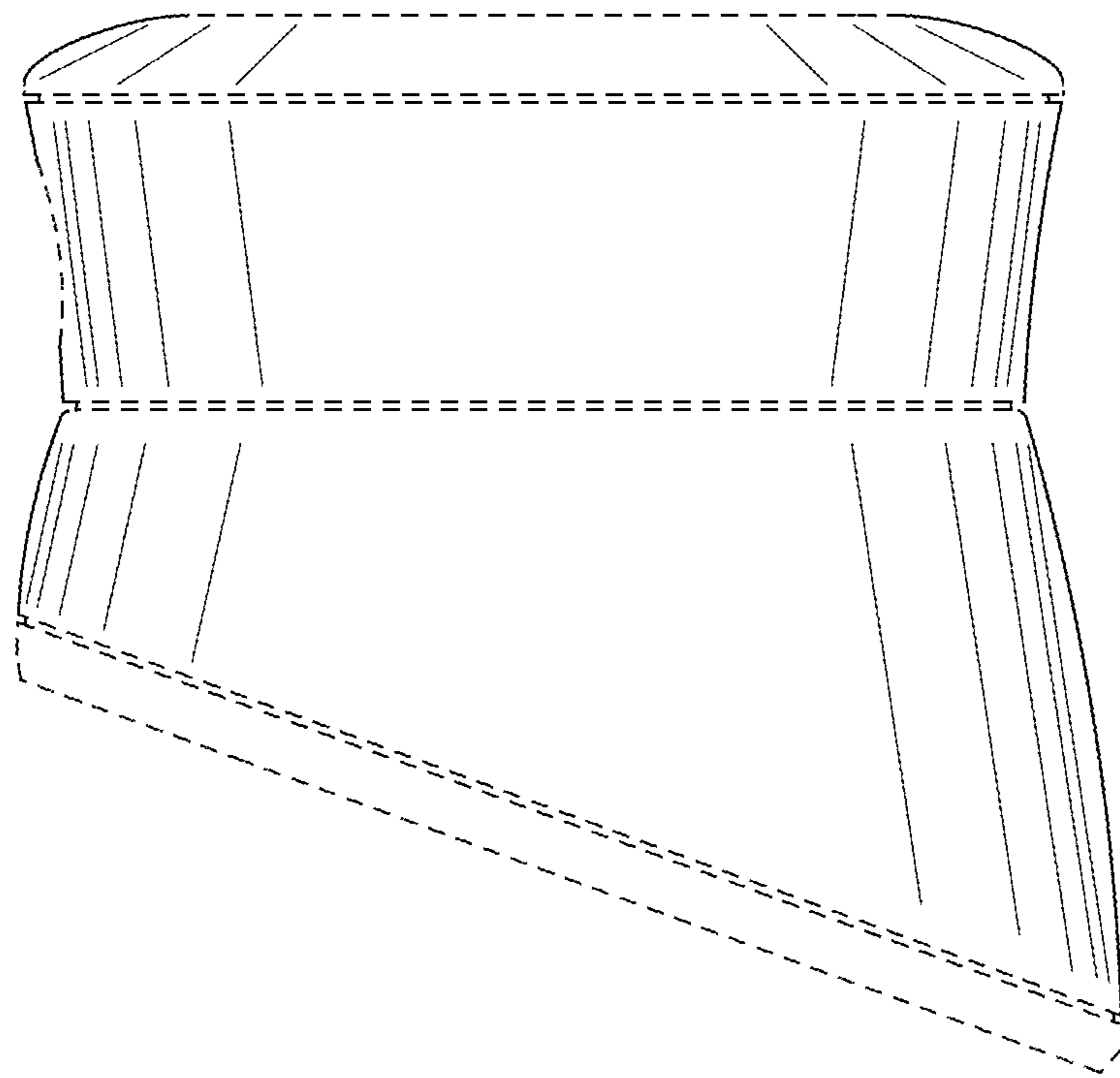


FIG. 14

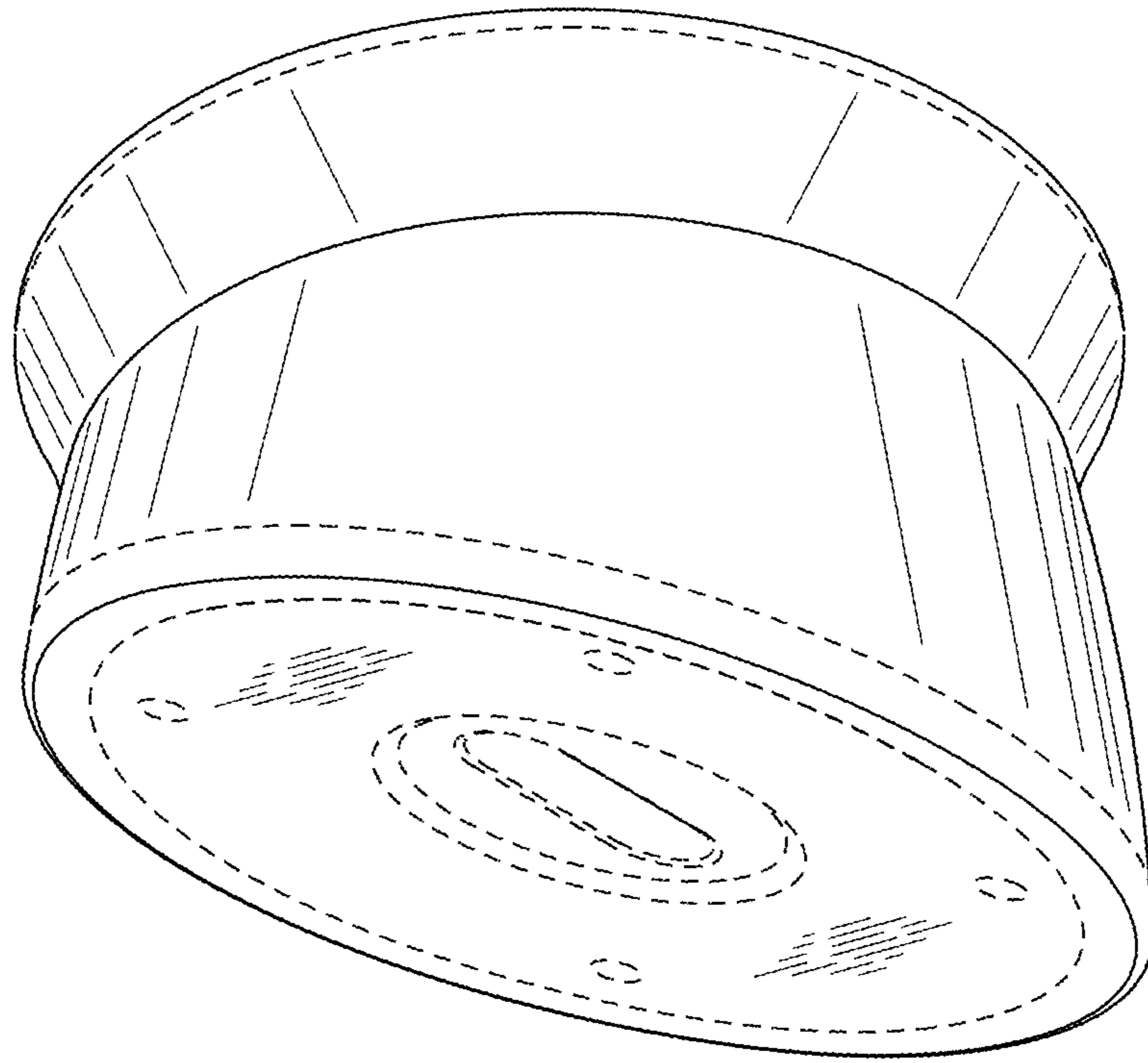


FIG. 15

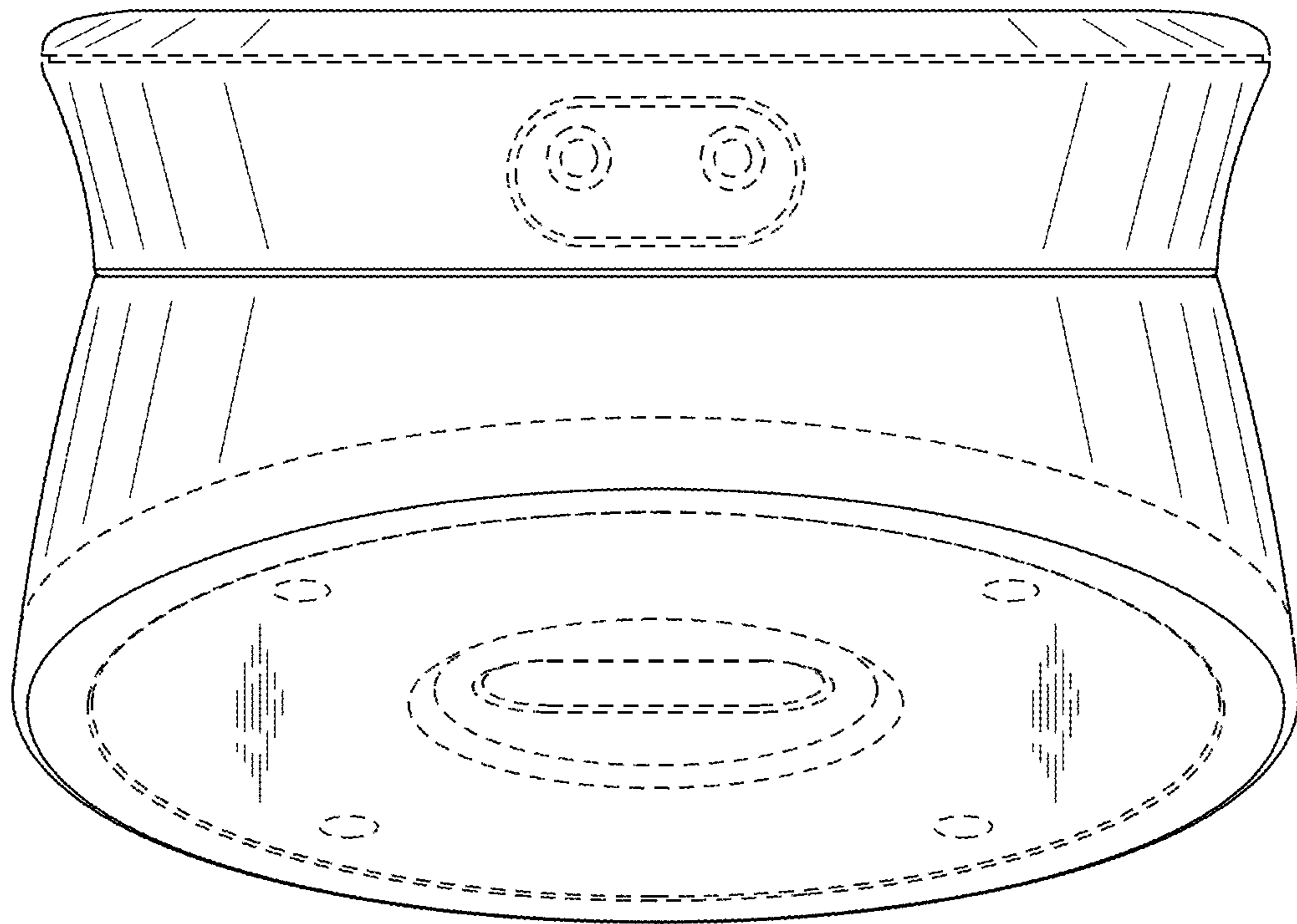


FIG. 16

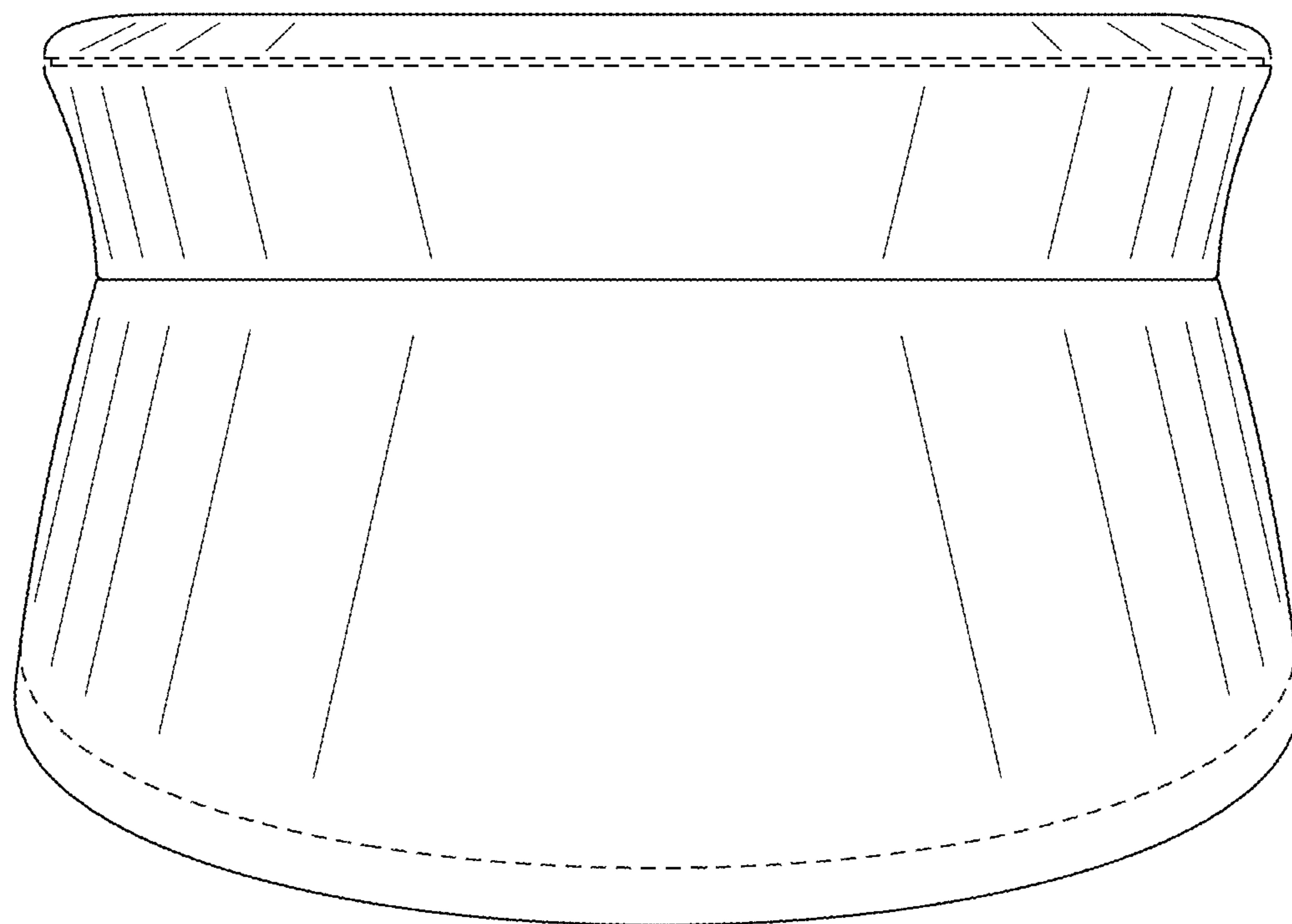


FIG. 17

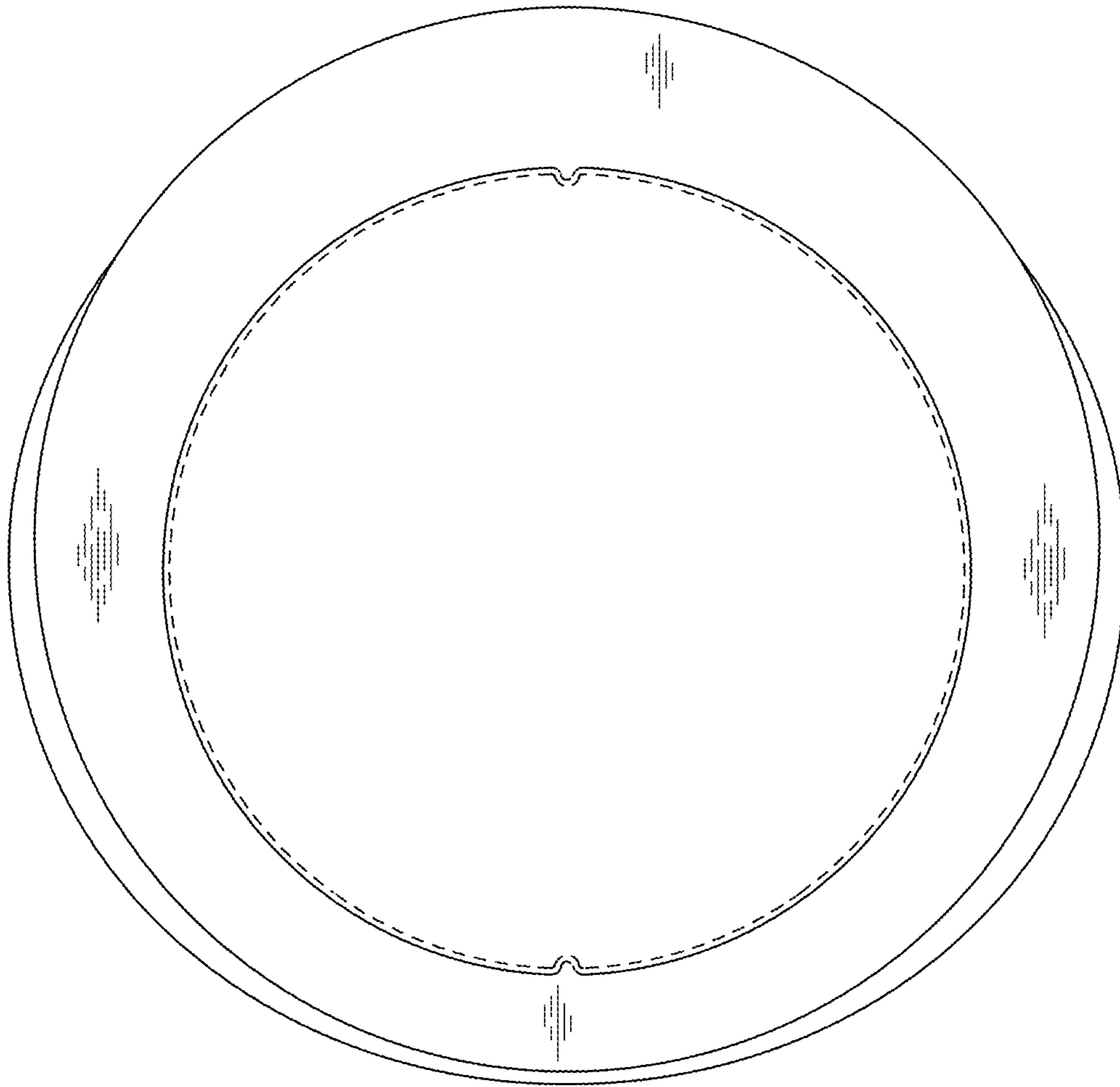


FIG. 18

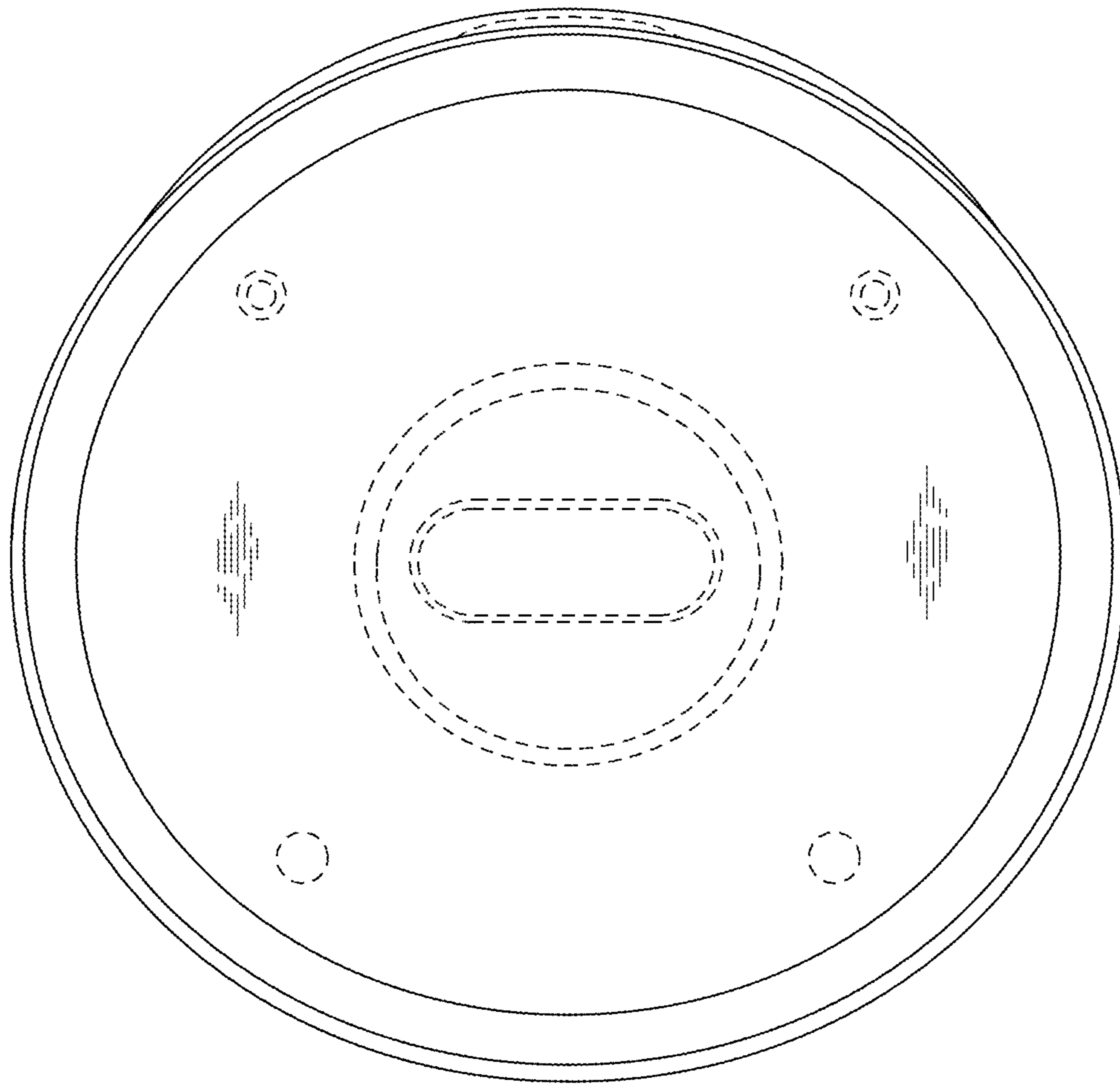


FIG. 19

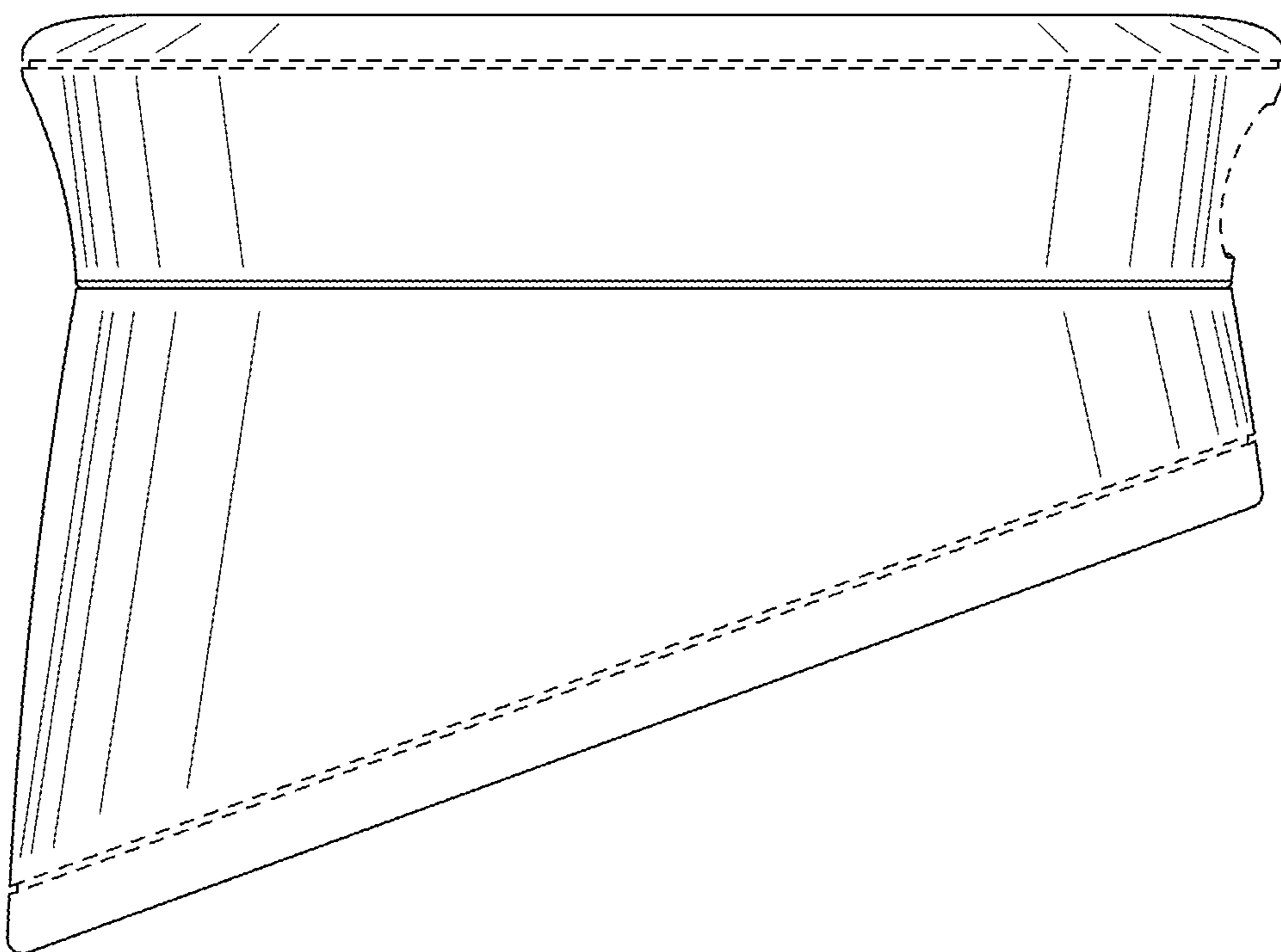


FIG. 20

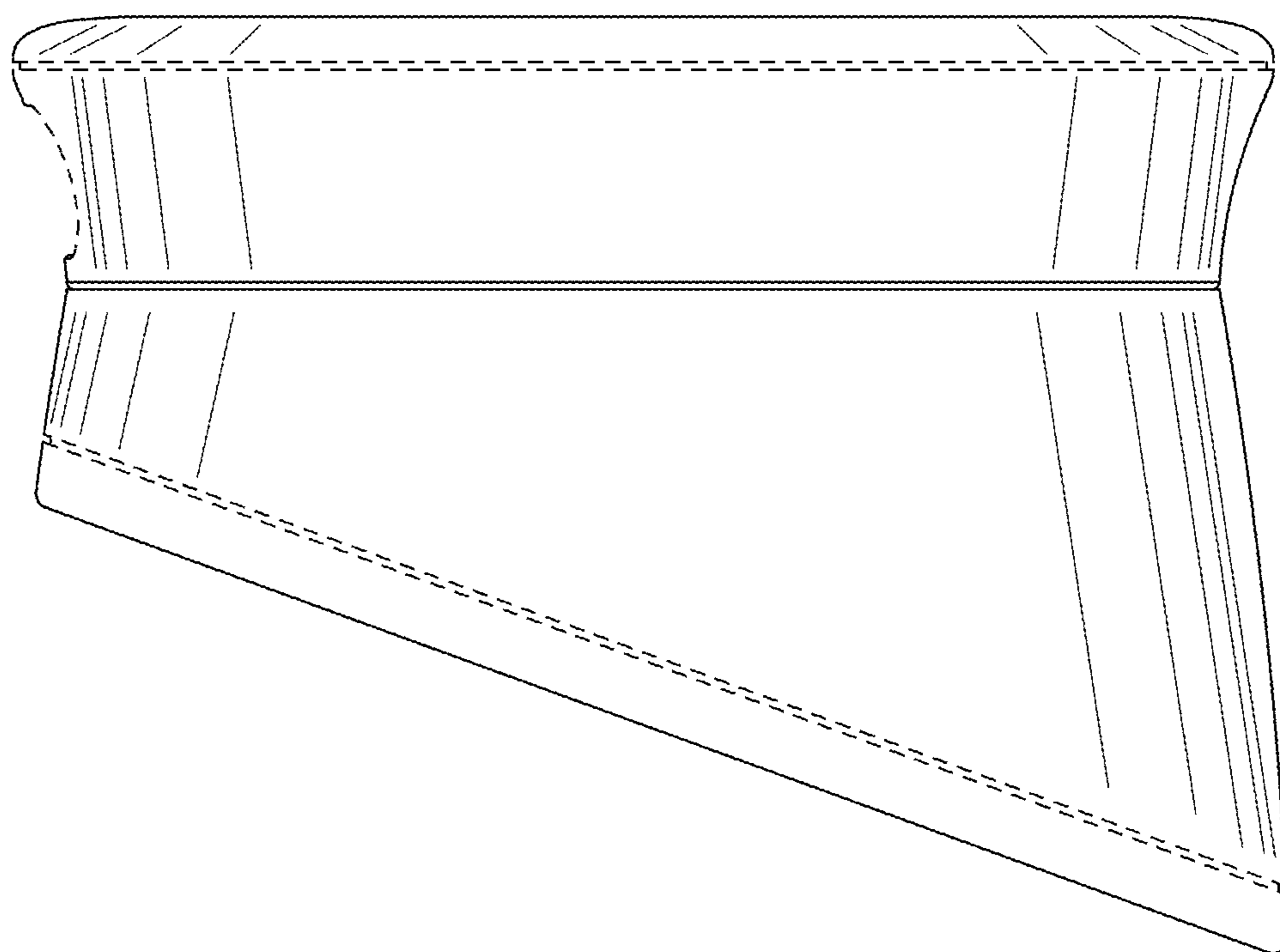


FIG. 21

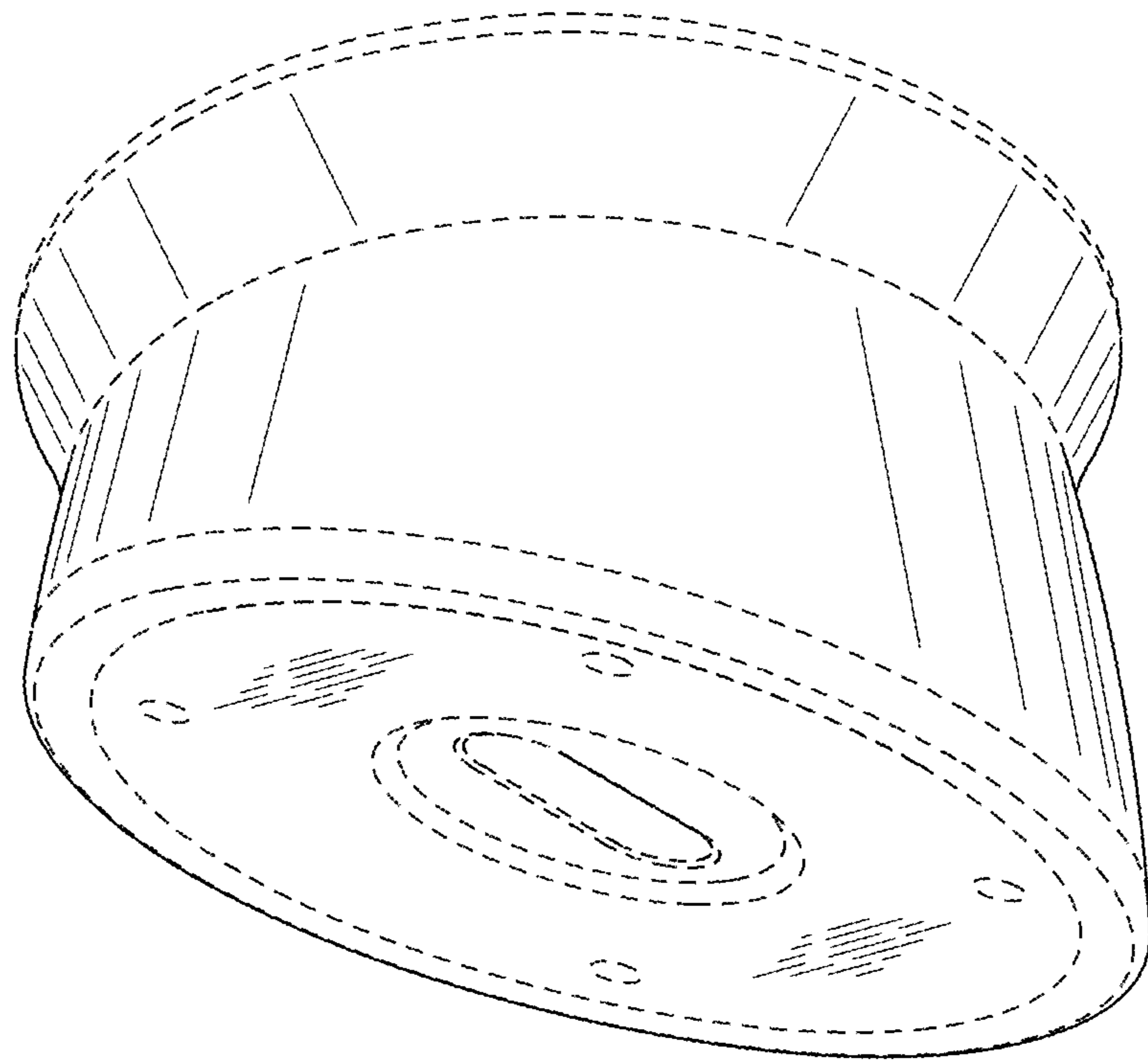


FIG. 22

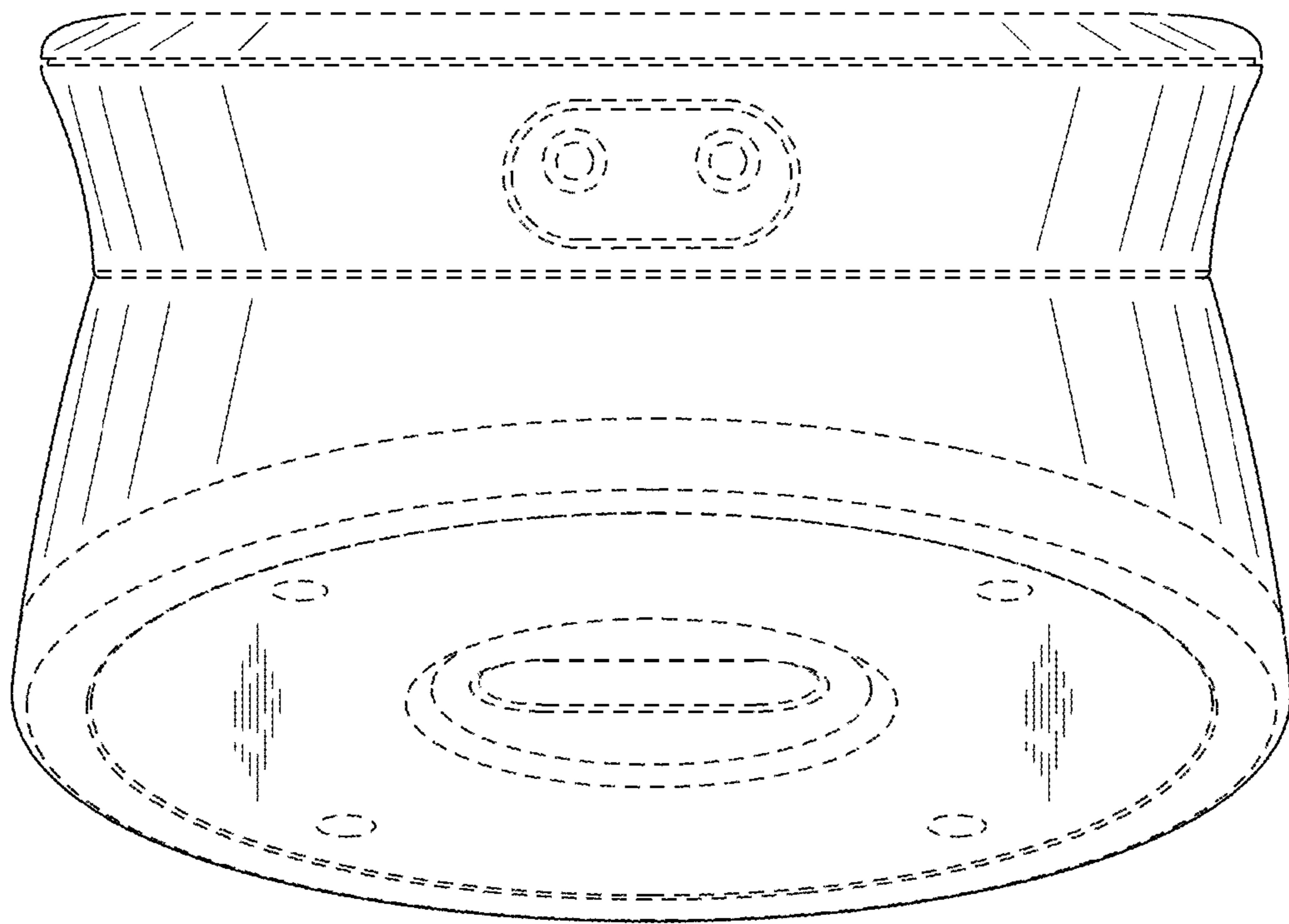


FIG. 23

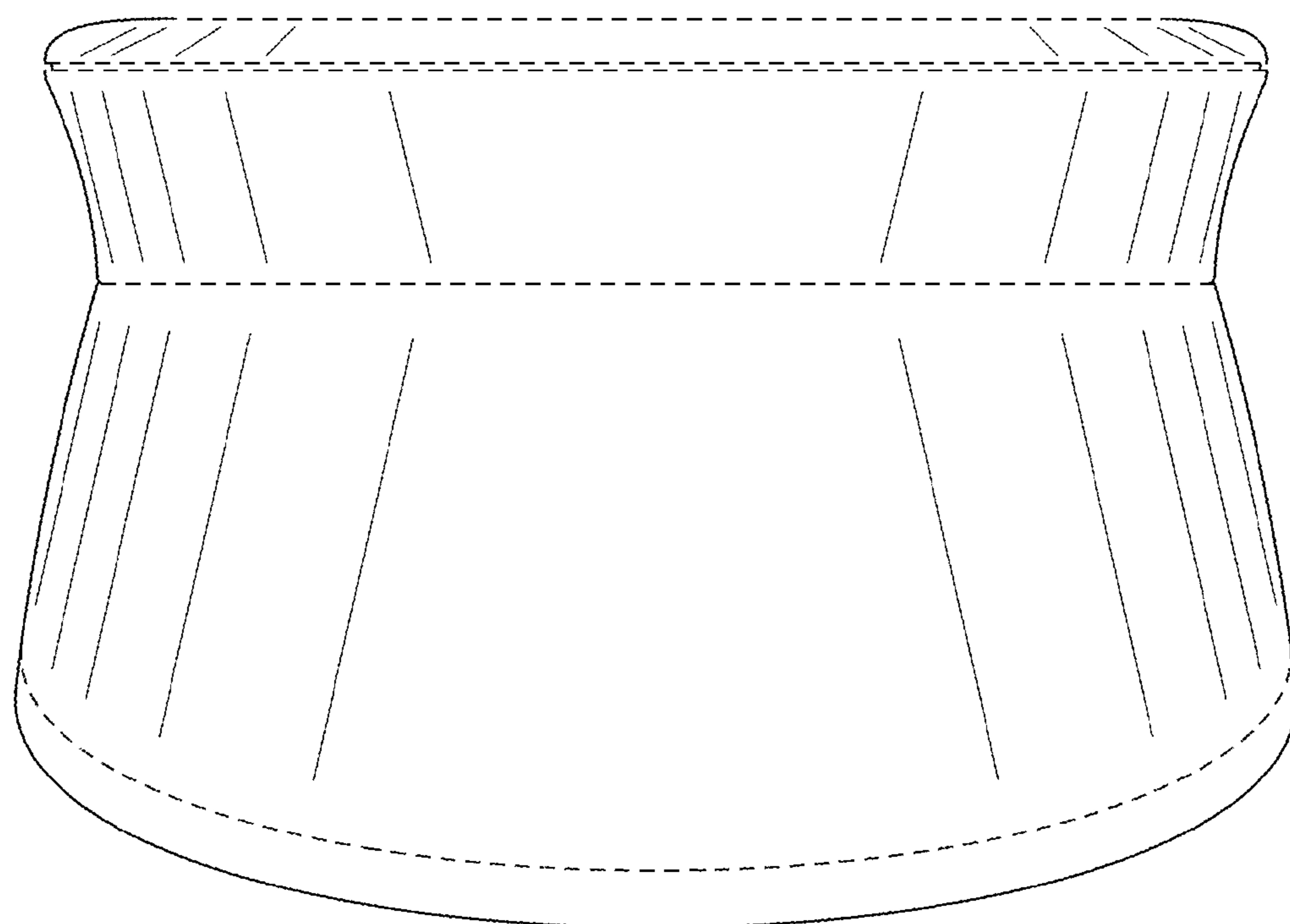


FIG. 24

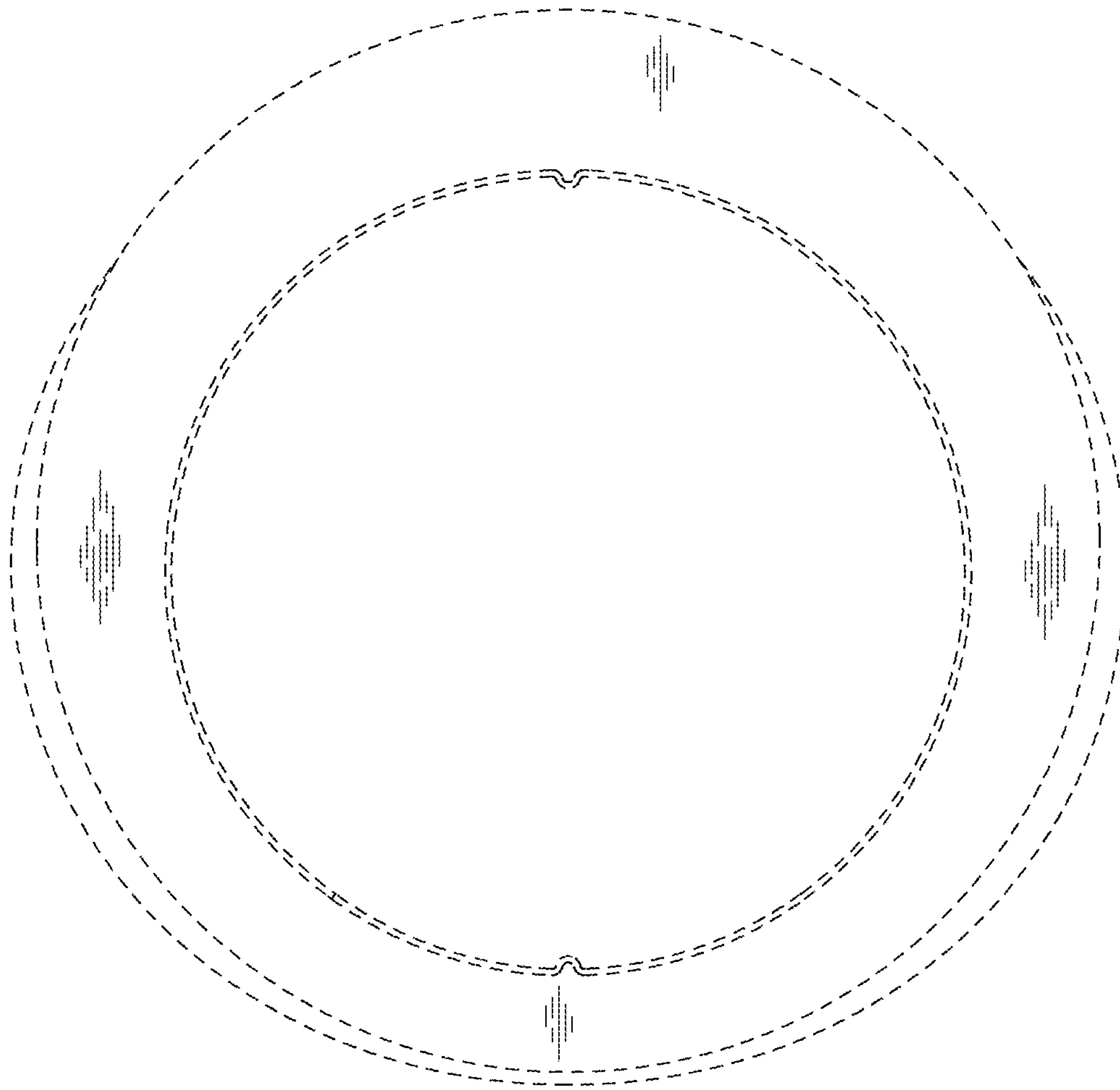


FIG. 25

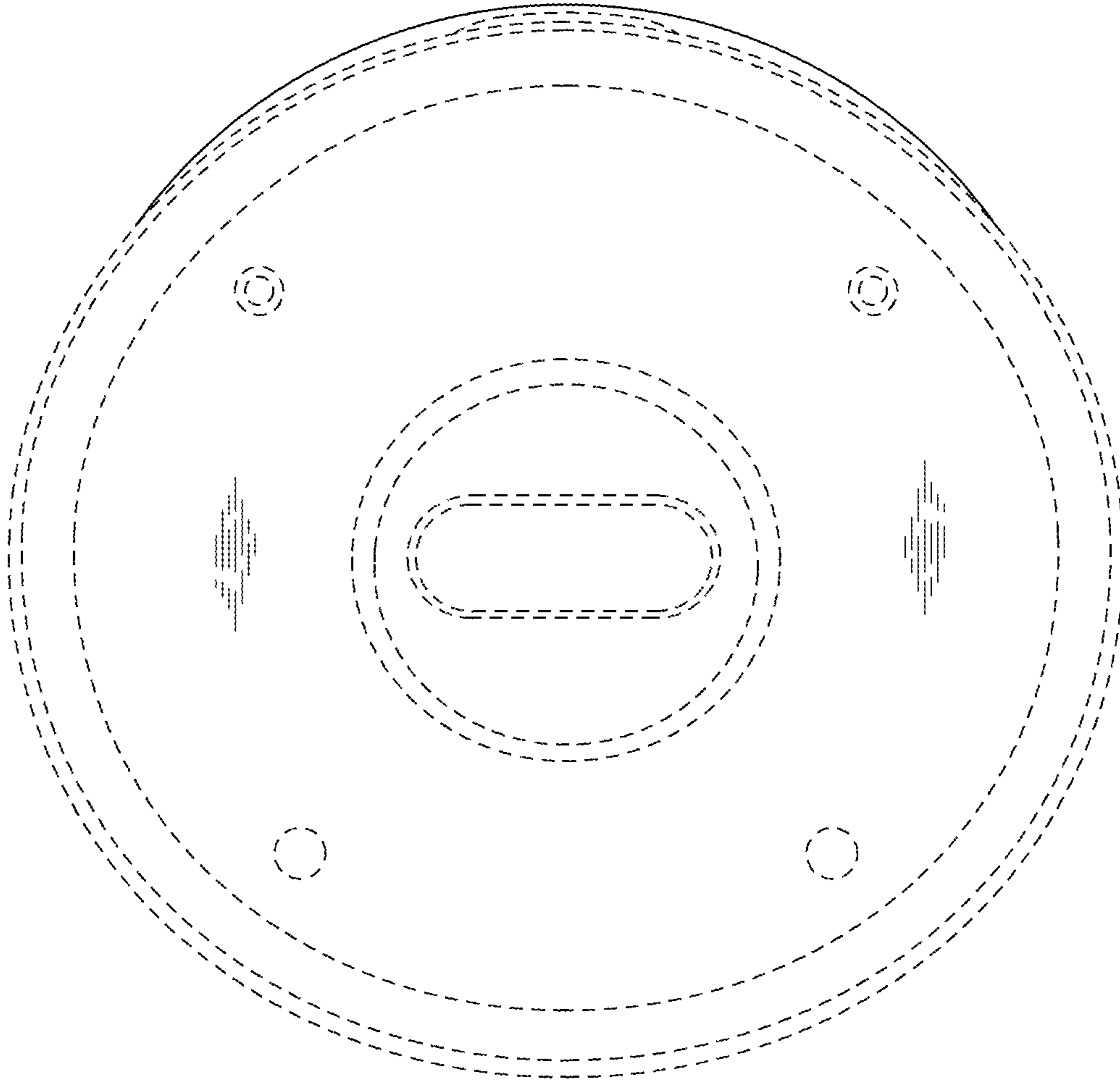


FIG. 26

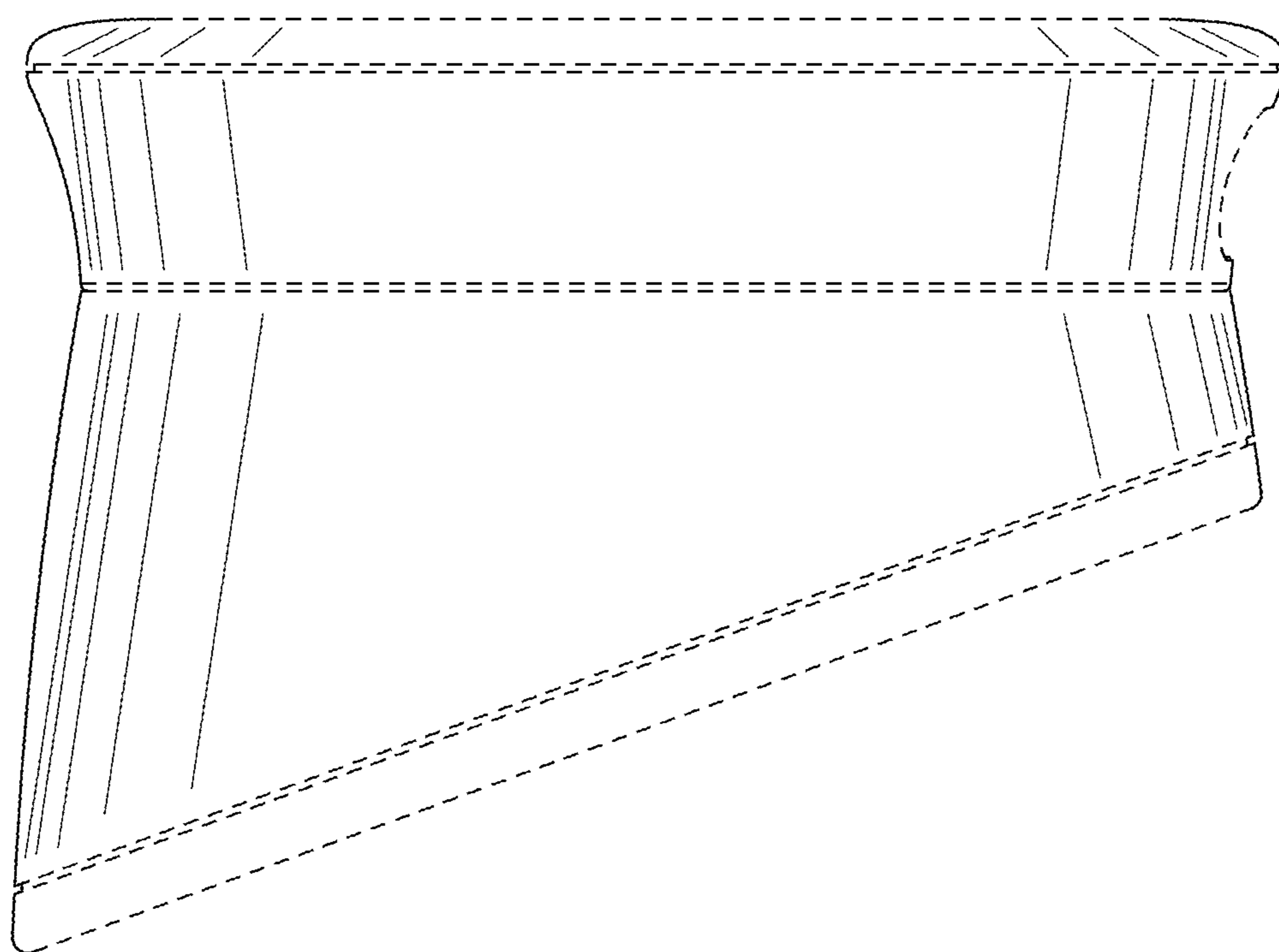


FIG. 27

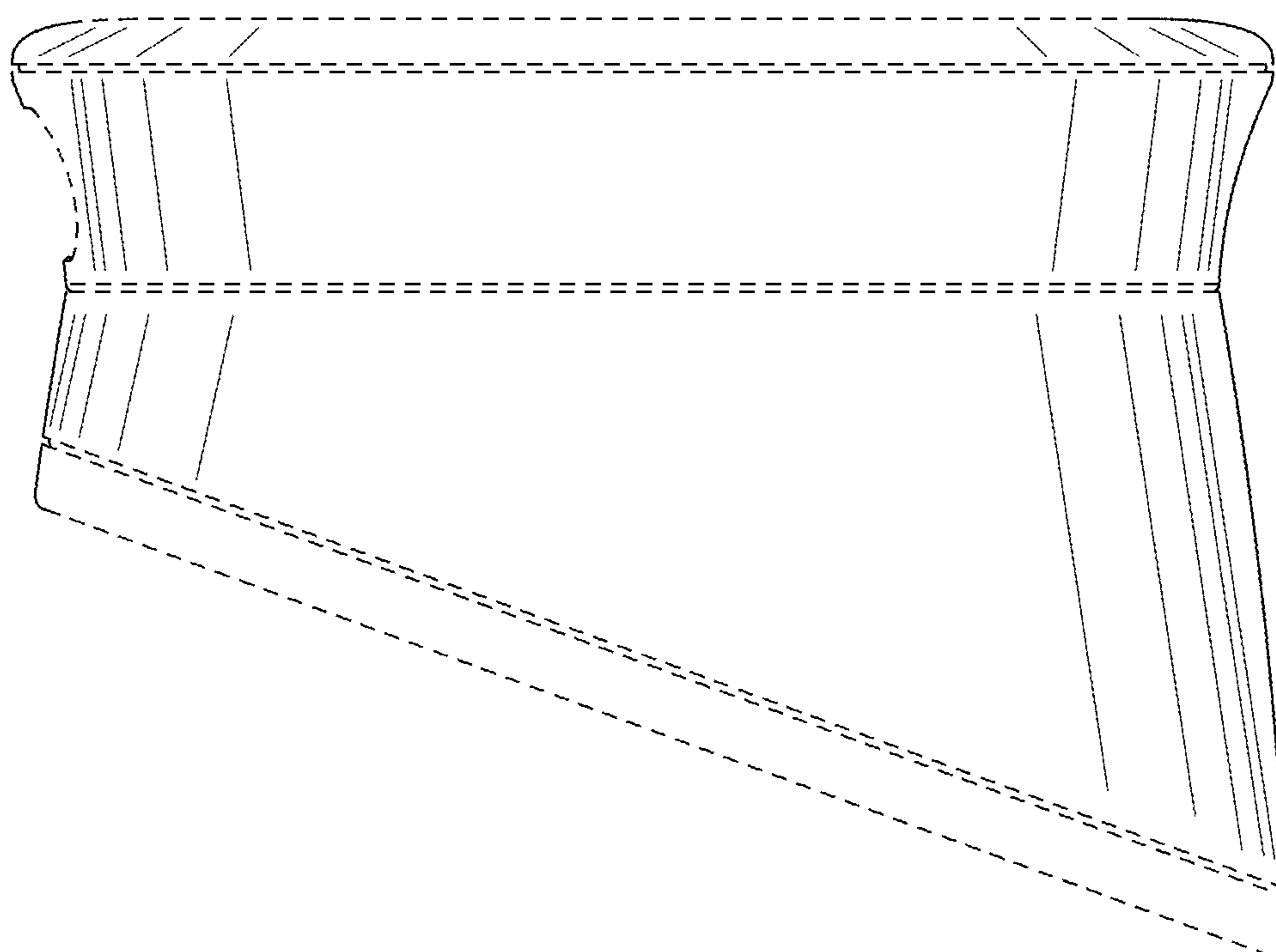


FIG. 28