



US00D738232S

(12) **United States Design Patent**
Eyring et al.

(10) **Patent No.:** **US D738,232 S**

(45) **Date of Patent:** **** Sep. 8, 2015**

(54) **THERMOSTAT**

(71) Applicant: **Orbit Irrigation Products, Inc.**, North Salt Lake, UT (US)

(72) Inventors: **Stuart Eyring**, Bountiful, UT (US);
Karl L. Connolly, Bountiful, UT (US);
Landon T. Gwilliam, Stanford, CA (US)

(73) Assignee: **Orbit Irrigation Products, Inc.**, North Salt Lake, UT (US)

(**) Term: **14 Years**

(21) Appl. No.: **29/507,769**

(22) Filed: **Oct. 30, 2014**

Related U.S. Application Data

(63) Continuation of application No. 29/488,497, filed on Apr. 19, 2014, now Pat. No. Des. 717,673, which is a continuation of application No. 29/446,426, filed on Feb. 22, 2013, now Pat. No. Des. 705,094.

(51) **LOC (10) Cl.** **10-04**

(52) **U.S. Cl.**
USPC **D10/50; D10/103**

(58) **Field of Classification Search**
USPC D10/49-50, 103
CPC F23N 5/20; F23N 5/203; F23N 5/206;
F23N 5/18; F23N 5/184; F23N 5/187; F23N
5/22; F23N 2025/12; F23N 2041/02; F24F
11/00; F24F 11/0012; F24F 11/0009; F24F
11/001; F24F 2011/0057; F24F 2011/0073;
F24F 2011/0091

See application file for complete search history.

(56) **References Cited**

U.S. PATENT DOCUMENTS

D261,234 S * 10/1981 Abraham D9/432
D387,982 S * 12/1997 Kaplan D9/423

D568,257 S * 5/2008 Tatsuyama et al. D13/162
D601,353 S * 10/2009 Sadler et al. D6/308
D622,513 S * 8/2010 Tang et al. D6/308
D630,169 S * 1/2011 Nakai et al. D13/168
D640,992 S * 7/2011 Margolin et al. D13/162
D648,642 S * 11/2011 Wallaert et al. D10/50
D662,094 S * 6/2012 Mack et al. D14/388
D676,768 S 2/2013 Eyring et al.
D676,769 S 2/2013 Eyring et al.
D678,218 S * 3/2013 Sheen D13/168

(Continued)

OTHER PUBLICATIONS

The products shown in Attachment A accompanying this submission were sold or offered for sale on or before Jul. 10, 2011.

(Continued)

Primary Examiner — Antoine D Davis

(74) *Attorney, Agent, or Firm* — Austin Rapp & Hardman

(57) **CLAIM**

The ornamental design for a thermostat, as shown and described.

DESCRIPTION

FIG. 1 is an elevated perspective view of an embodiment of a thermostat, according to our new design;

FIG. 2 is a front view of the embodiment of the thermostat shown in FIG. 1;

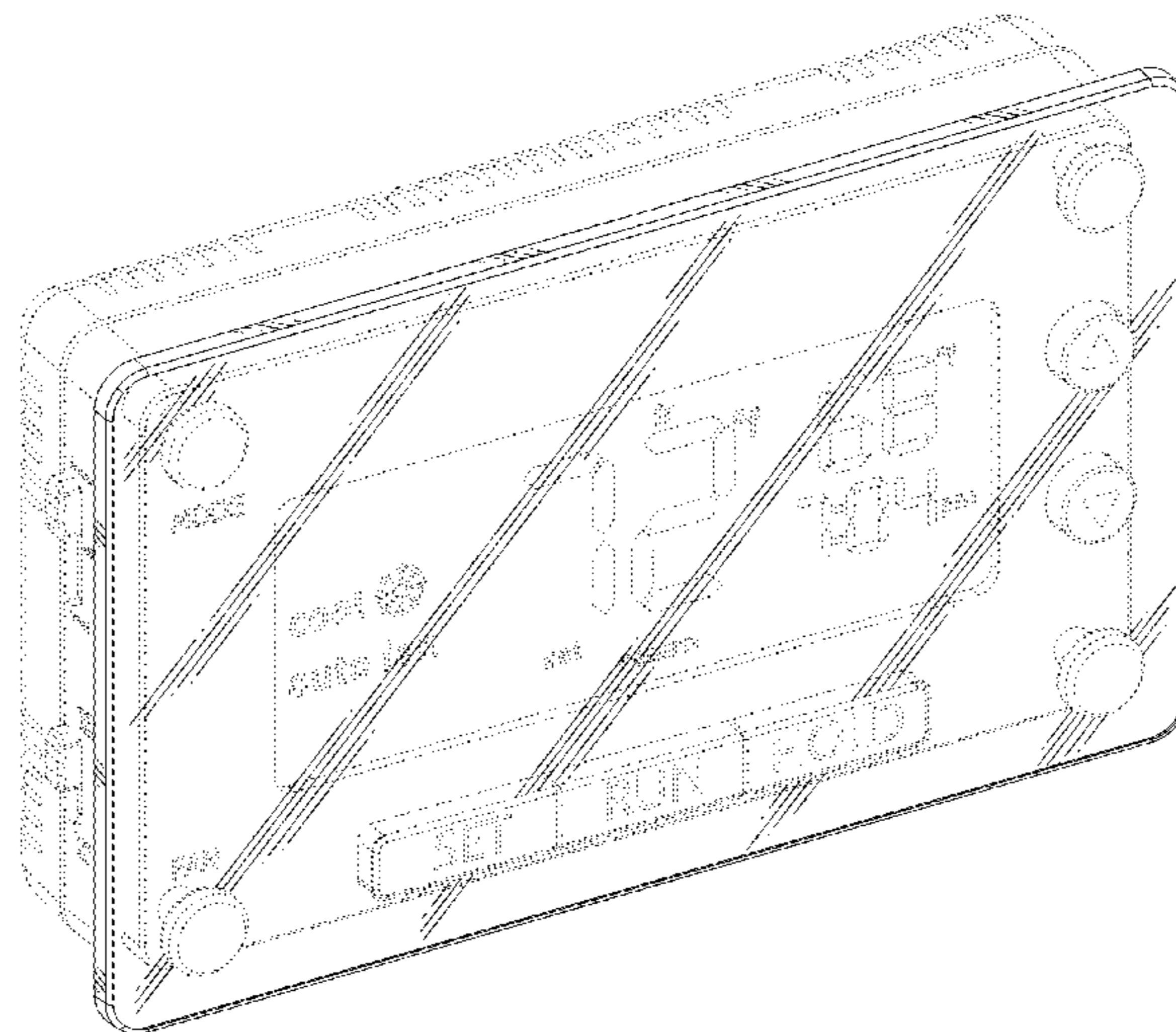
FIG. 3 is a top view of the embodiment of the thermostat shown in FIG. 1 (a bottom view of the embodiment of the thermostat of FIG. 1 is omitted as the bottom view is a mirror image of the top view);

FIG. 4 is first side view of the embodiment of the thermostat shown in FIG. 1; and,

FIG. 5 is a second side view of the embodiment of the thermostat shown in FIG. 1.

The portions of the thermostat shown in broken lines are for the purpose of illustrating unclaimed portions of the article and form no part of the claimed design.

1 Claim, 2 Drawing Sheets



(56)

References Cited

U.S. PATENT DOCUMENTS

D679,205 S 4/2013 Eyring et al.
D687,388 S * 8/2013 Baumgartner et al. D13/162
D690,295 S * 9/2013 Fletcher et al. D14/336
D694,718 S * 12/2013 Baumgartner et al. D13/168
D695,410 S * 12/2013 Becker D24/186
D696,636 S * 12/2013 Sakai D13/168
D705,094 S 5/2014 Eyring et al.
D711,837 S * 8/2014 Clymer et al. D13/162
D717,673 S 11/2014 Eyring et al.
D724,035 S * 3/2015 Flowers et al. D13/162
D727,271 S * 4/2015 Shi et al. D13/162
D727,857 S * 4/2015 Acera et al. D13/162

OTHER PUBLICATIONS

The product illustrated in Attachment B was sold or offered for sale at least by Oct. 2, 2013.
Stuart Eyring et al., U.S. Appl. No. 29/426,884, filed Jul. 11, 2012 and the associated file history.
Stuart Eyring et al., U.S. Appl. No. 29/426,890, filed Jul. 11, 2012 and the associated file history.
Stuart Eyring et al., U.S. Appl. No. 29/426,892, filed Jul. 11, 2012 and the associated file history.
Stuart Eyring et al., U.S. Appl. No. 29/446,426, filed Feb. 22, 2013 and the associated file history.
Stuart Eyring, U.S. Appl. No. 29/488,497, filed Apr. 19, 2014 and the associated file history.

* cited by examiner

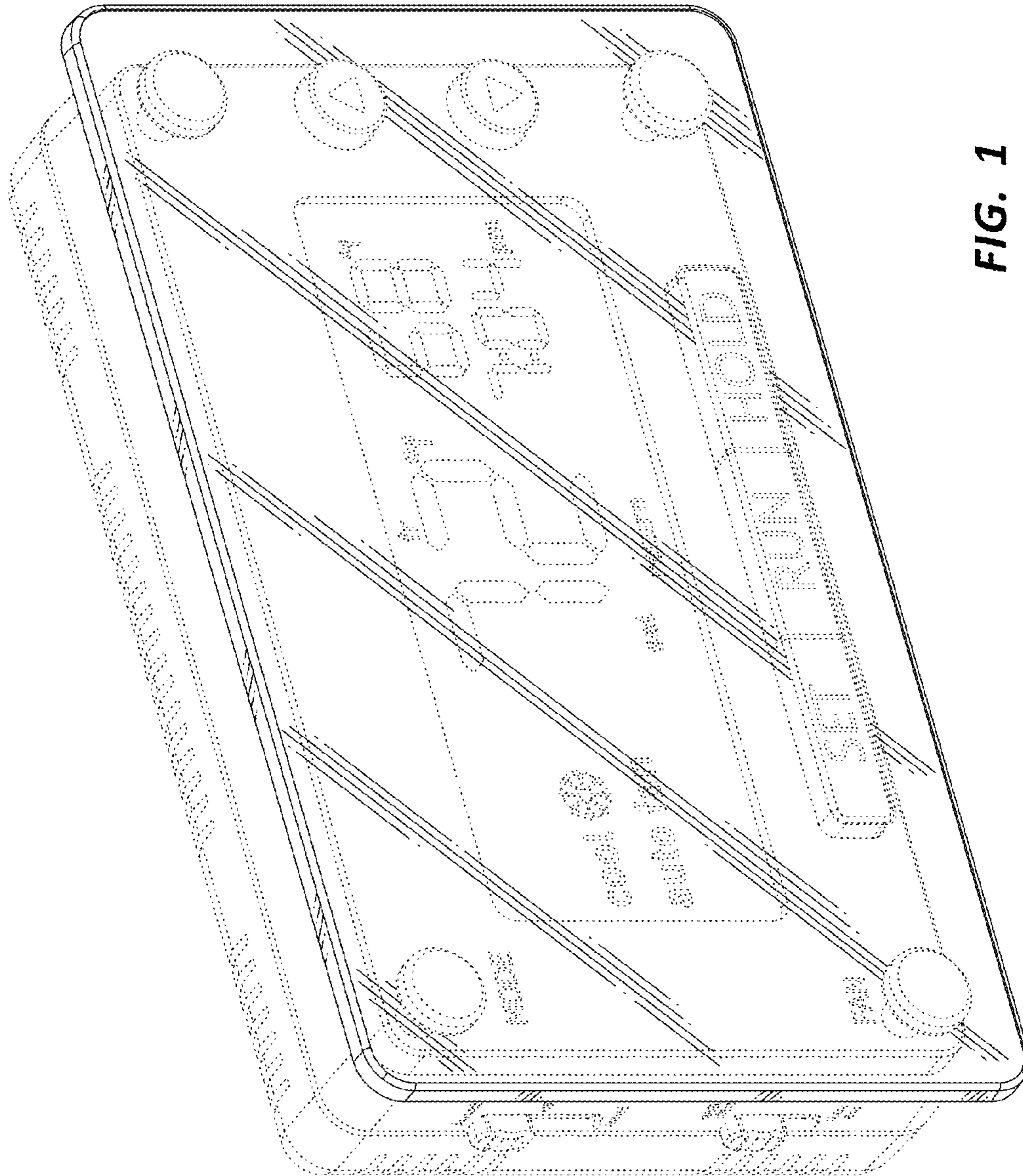


FIG. 1

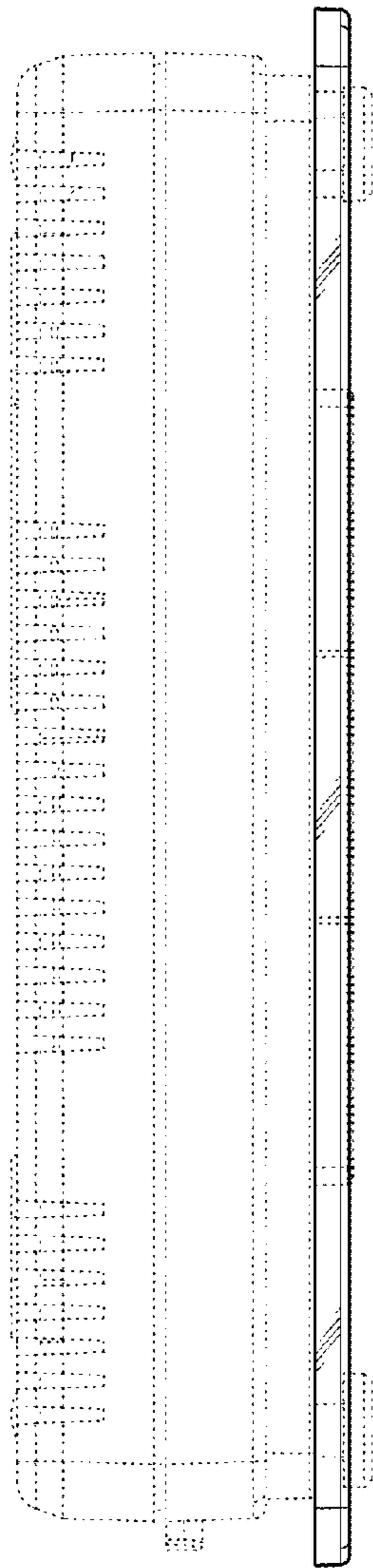


FIG. 3

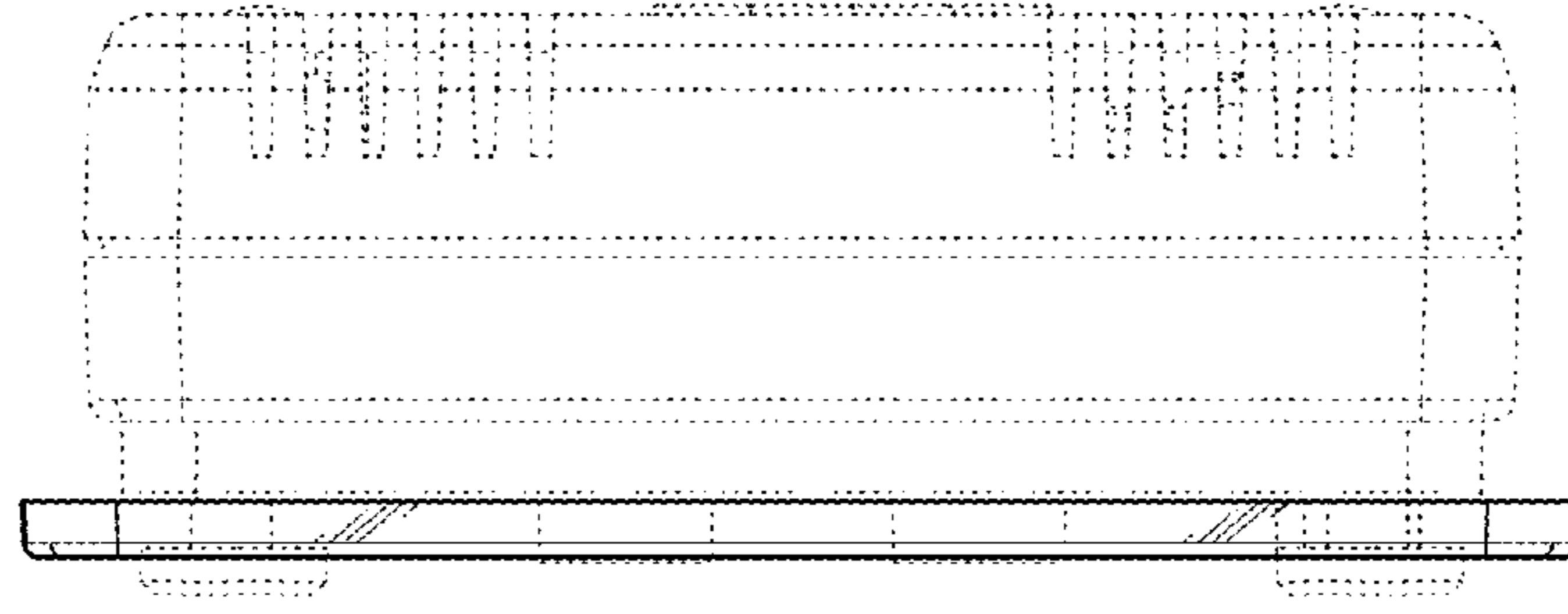


FIG. 5

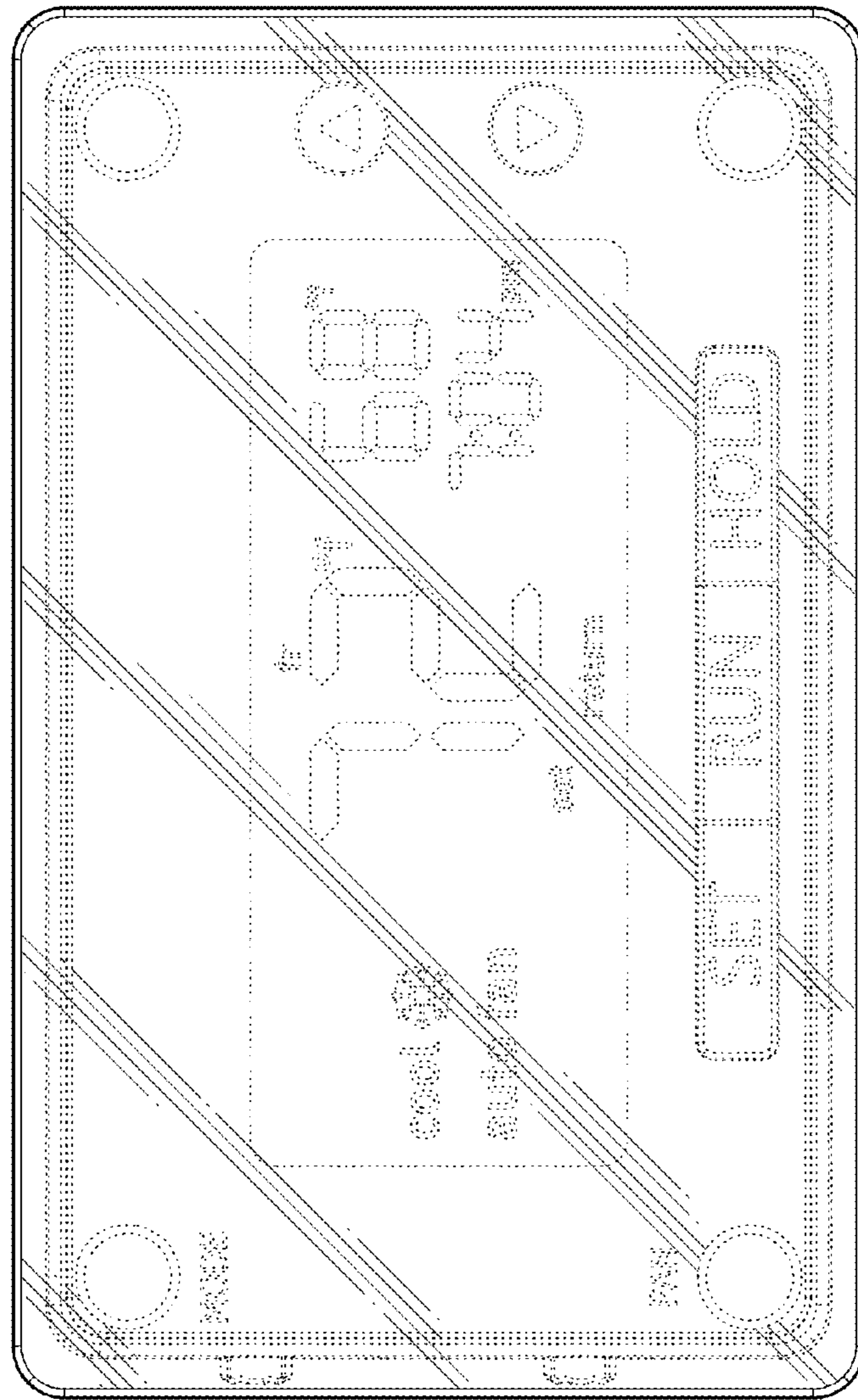


FIG. 2

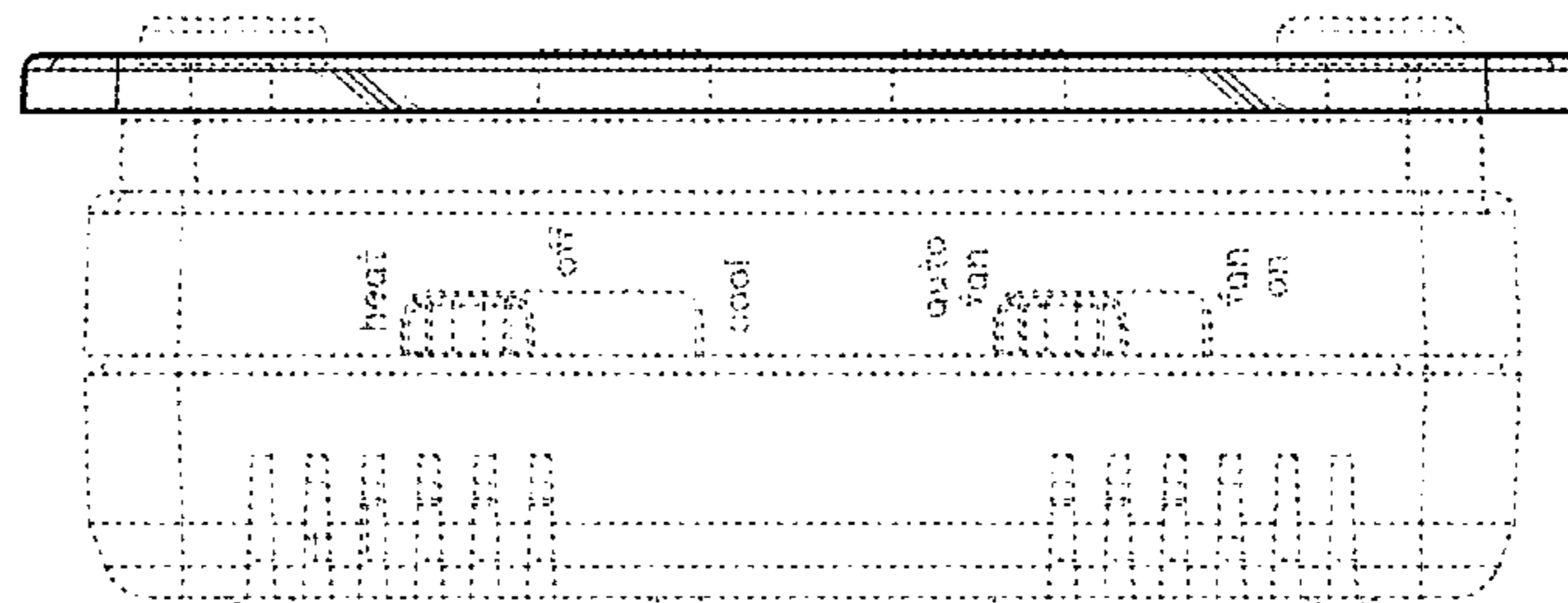


FIG. 4