



US00D738218S

(12) **United States Design Patent**
Rohit

(10) **Patent No.:** **US D738,218 S**

(45) **Date of Patent:** **** Sep. 8, 2015**

(54) **HALF-ROUND PERFUME BOTTLE**

(71) Applicant: **Rohit Rohit**, Seacaucus, NJ (US)

(72) Inventor: **Rohit Rohit**, Seacaucus, NJ (US)

(**) Term: **14 Years**

(21) Appl. No.: **29/452,481**

(22) Filed: **Apr. 17, 2013**

(51) **LOC (10) Cl.** **09-01**

(52) **U.S. Cl.**

USPC **D9/522**; D9/575; D9/454

(58) **Field of Classification Search**

USPC D9/686–688, 693–694, 522, 529,
D9/537–544, 549, 575; 220/660, 662, 669,
220/675; D23/366, 368–369; 215/379,
215/381–385

See application file for complete search history.

(56) **References Cited**

U.S. PATENT DOCUMENTS

D20,588 S *	3/1891	Harr	D9/522
D34,168 S *	3/1901	Gilchrist	D9/454
D312,570 S *	12/1990	Lunderman	D9/522
D319,015 S *	8/1991	Schmidt	D9/574
D371,736 S *	7/1996	Chahed	D9/694
D400,795 S *	11/1998	de Baschmakoff	D9/544
D474,021 S *	5/2003	Lenaerts	D3/302
D477,777 S *	7/2003	Nicolas	D9/668
D491,814 S *	6/2004	Koenig	D9/575 X
D518,730 S *	4/2006	Caserta et al.	D23/366 X
D536,979 S *	2/2007	Caserta et al.	D9/575 X
D537,351 S *	2/2007	Caserta et al.	D9/522
D564,885 S *	3/2008	Rittman	D9/522

D565,421 S *	4/2008	De Baschmakoff	D9/452 X
7,352,960 B2 *	4/2008	Hafer et al.	392/395
D582,291 S *	12/2008	de Baschmakoff	D9/574 X
D588,361 S *	3/2009	Dawson et al.	D3/302
D618,550 S *	6/2010	De Haan	D9/522
D619,464 S *	7/2010	Langley et al.	D9/522
D626,845 S *	11/2010	De Haan	D9/575 X
D642,923 S *	8/2011	Newton	D9/522
D643,296 S *	8/2011	Newton	D9/522
D651,088 S *	12/2011	Buschmann et al.	D9/522
D675,530 S *	2/2013	Meisenheimer et al.	D9/522
D732,972 S *	6/2015	Barroso Miana et al.	D9/688
2005/0194344 A1 *	9/2005	Heater	215/379

* cited by examiner

Primary Examiner — Carol P Rademaker

(74) *Attorney, Agent, or Firm* — Michael J. Feigin, Esq.;
Feigin & Associates, LLC

(57) **CLAIM**

The ornamental design for a half round perfume bottle, as shown and described.

DESCRIPTION

FIG. 1 is a top, front, and left side perspective view of a half round perfume bottle;

FIG. 2 is a bottom, back, and right side perspective view thereof;

FIG. 3 is a top, back, and right side perspective view thereof;

FIG. 4 is a front elevational view thereof;

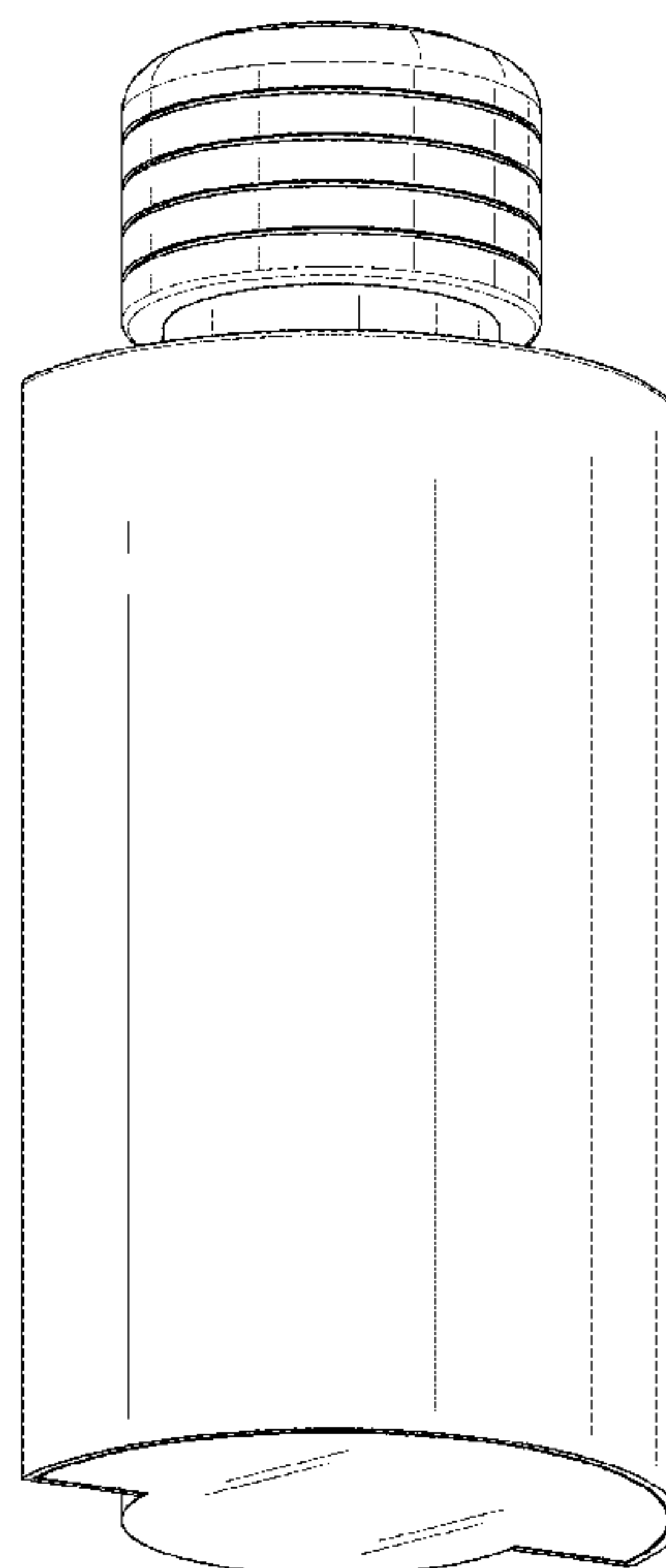
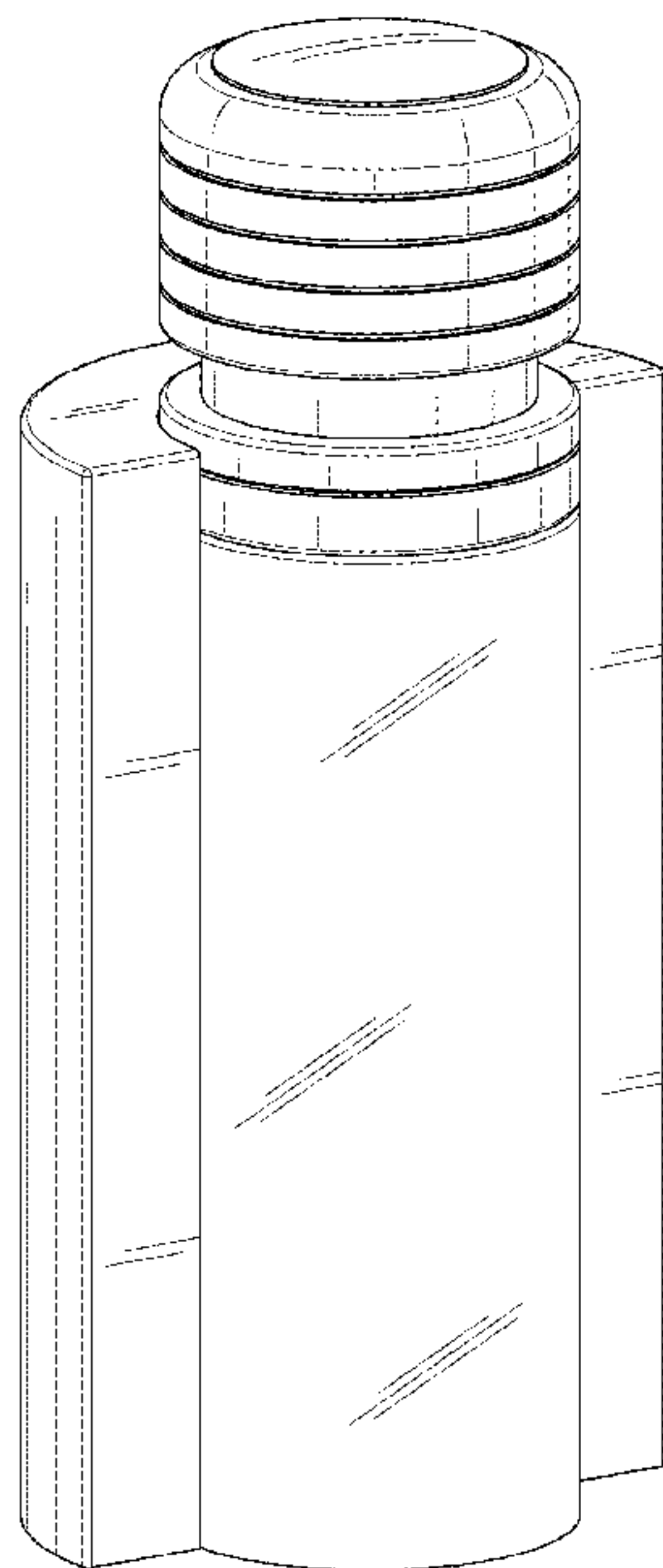
FIG. 5 is a right side elevational view thereof, the left side elevational view being a mirror image;

FIG. 6 is a back elevational view thereof;

FIG. 7 is a top plan view thereof; and,

FIG. 8 is a bottom plan view thereof.

1 Claim, 7 Drawing Sheets



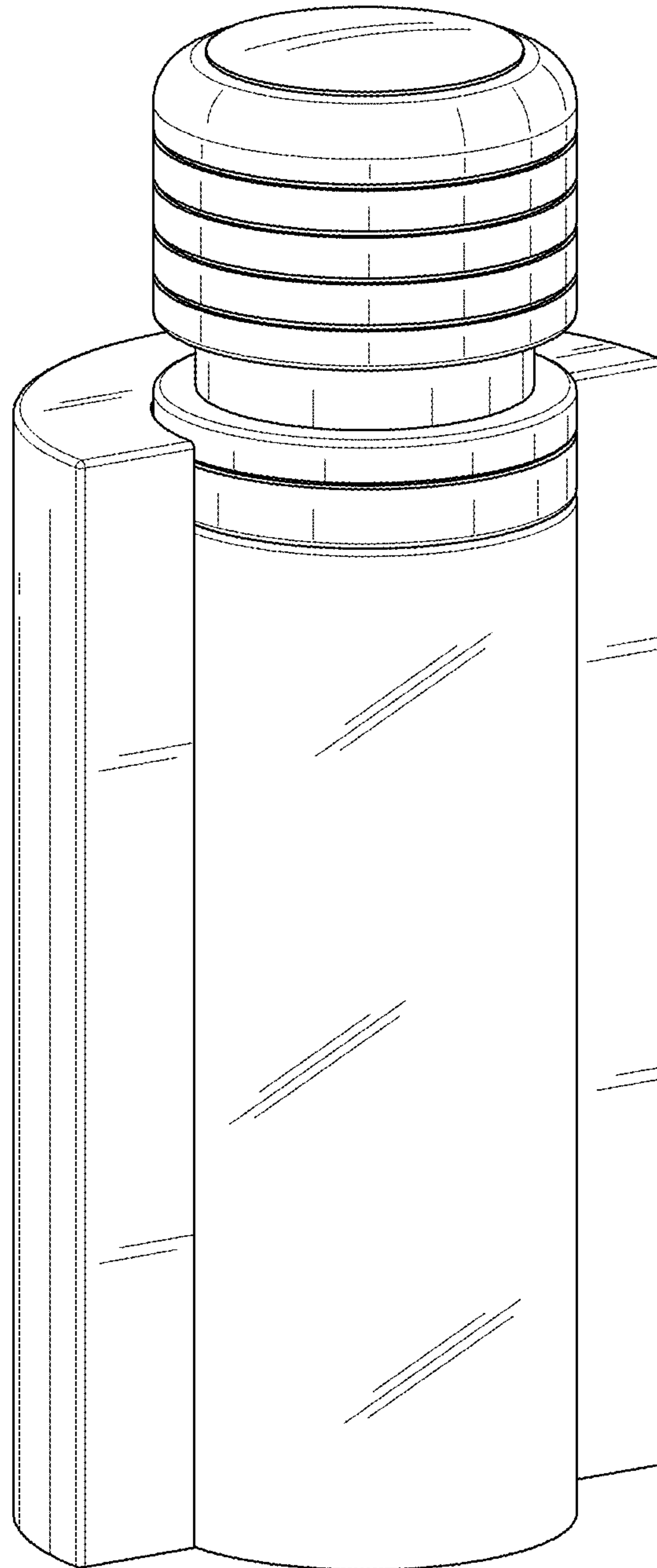


FIG. 1

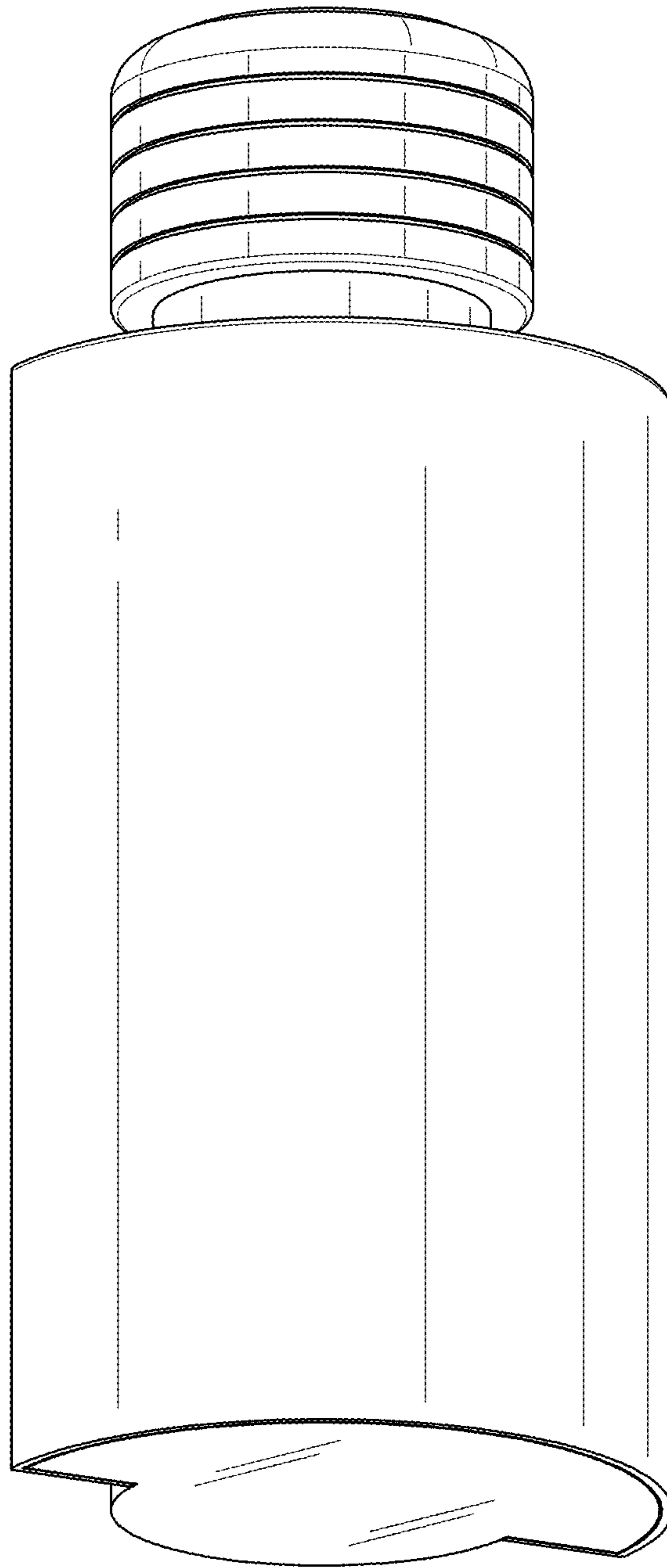


FIG. 2

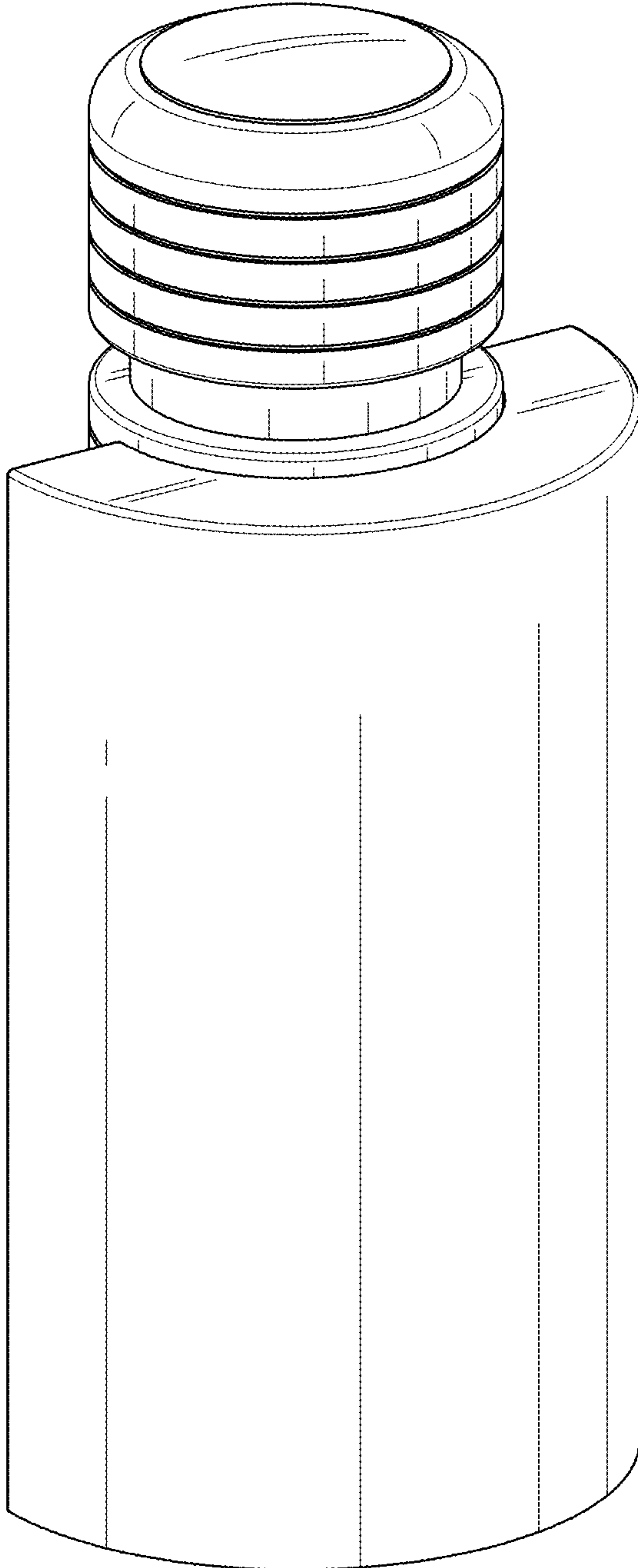


FIG. 3

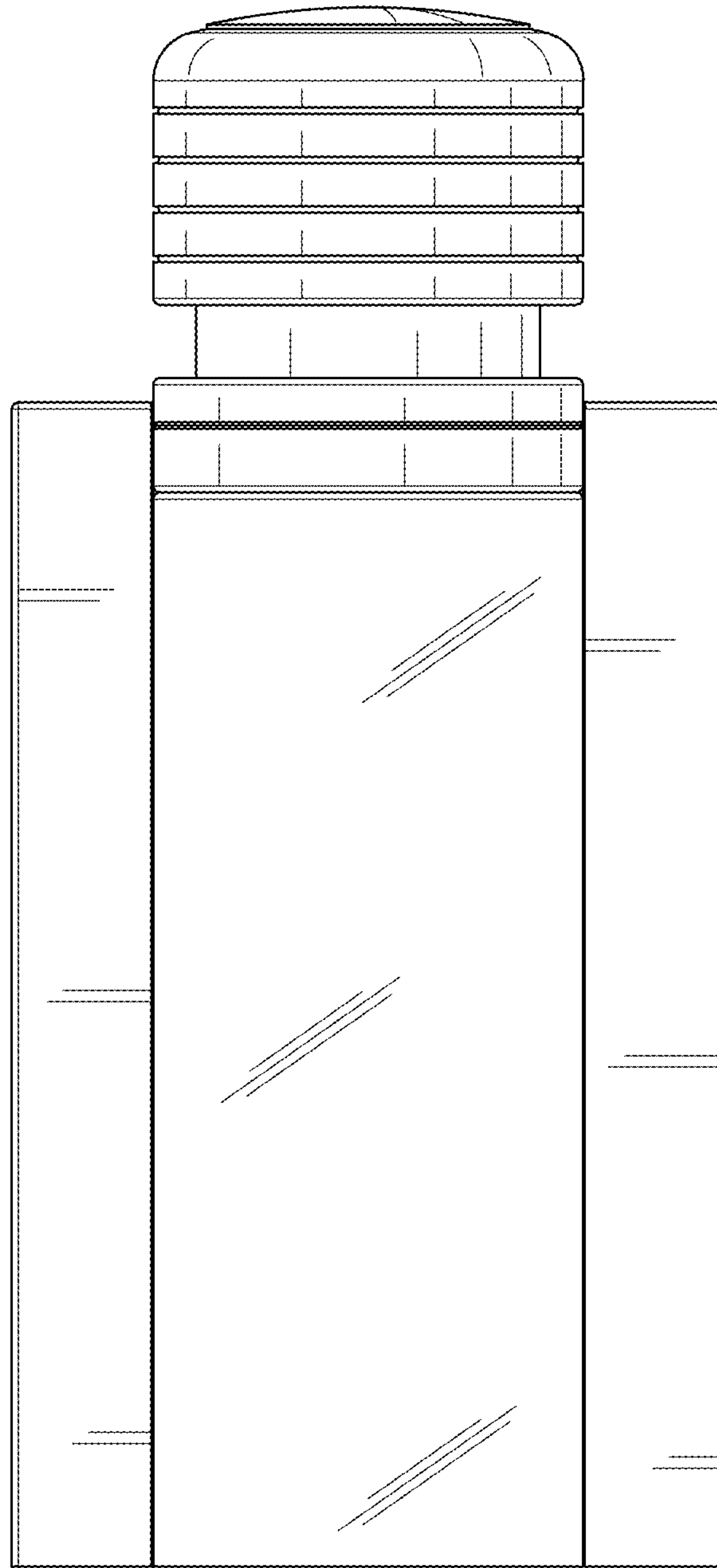


FIG. 4

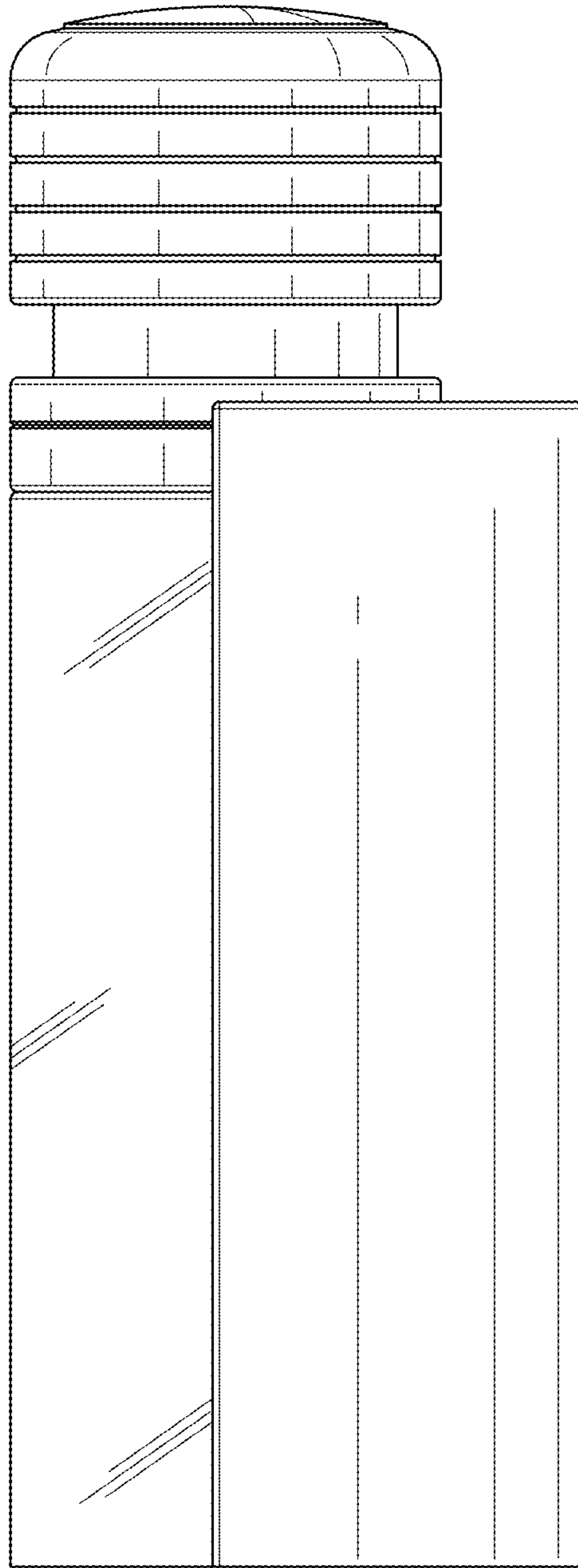


FIG. 5

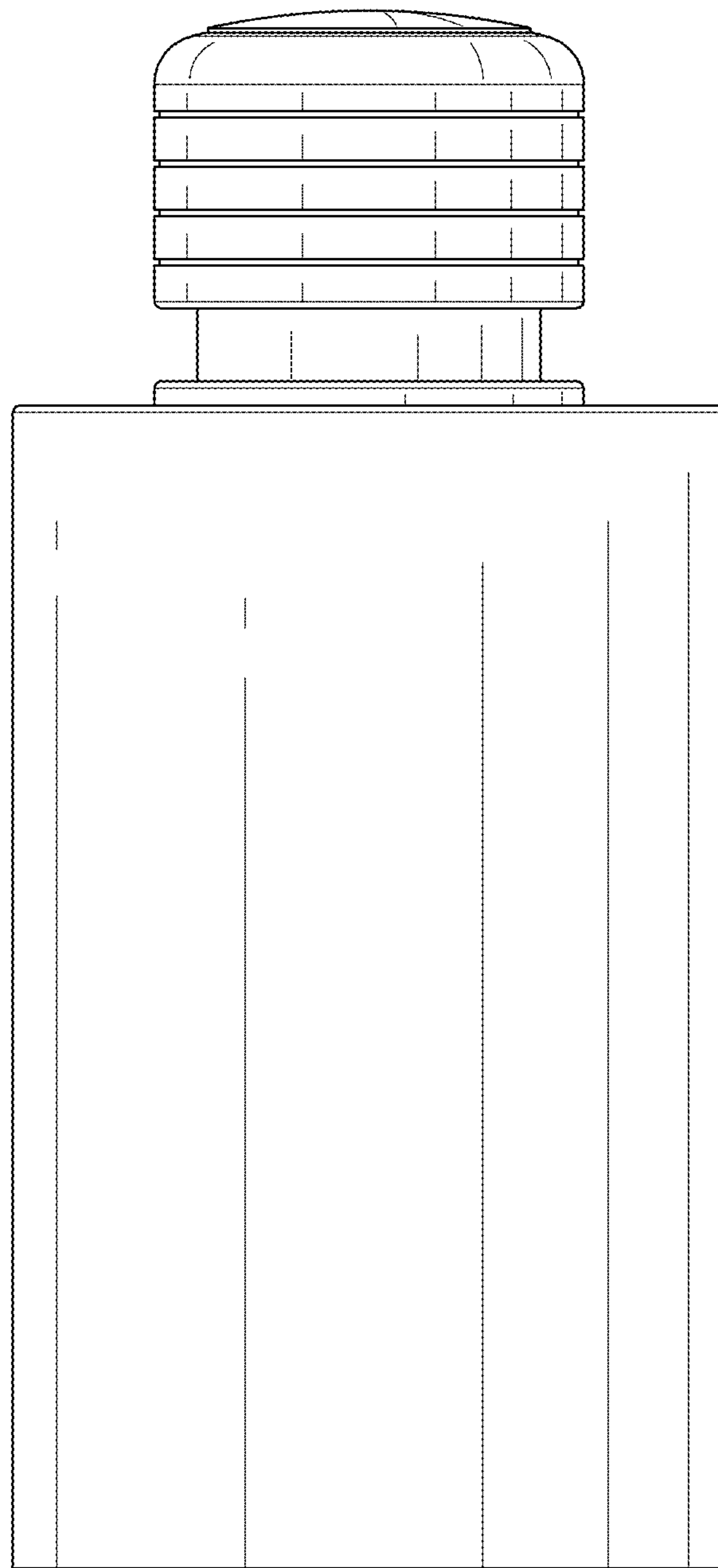


FIG. 6

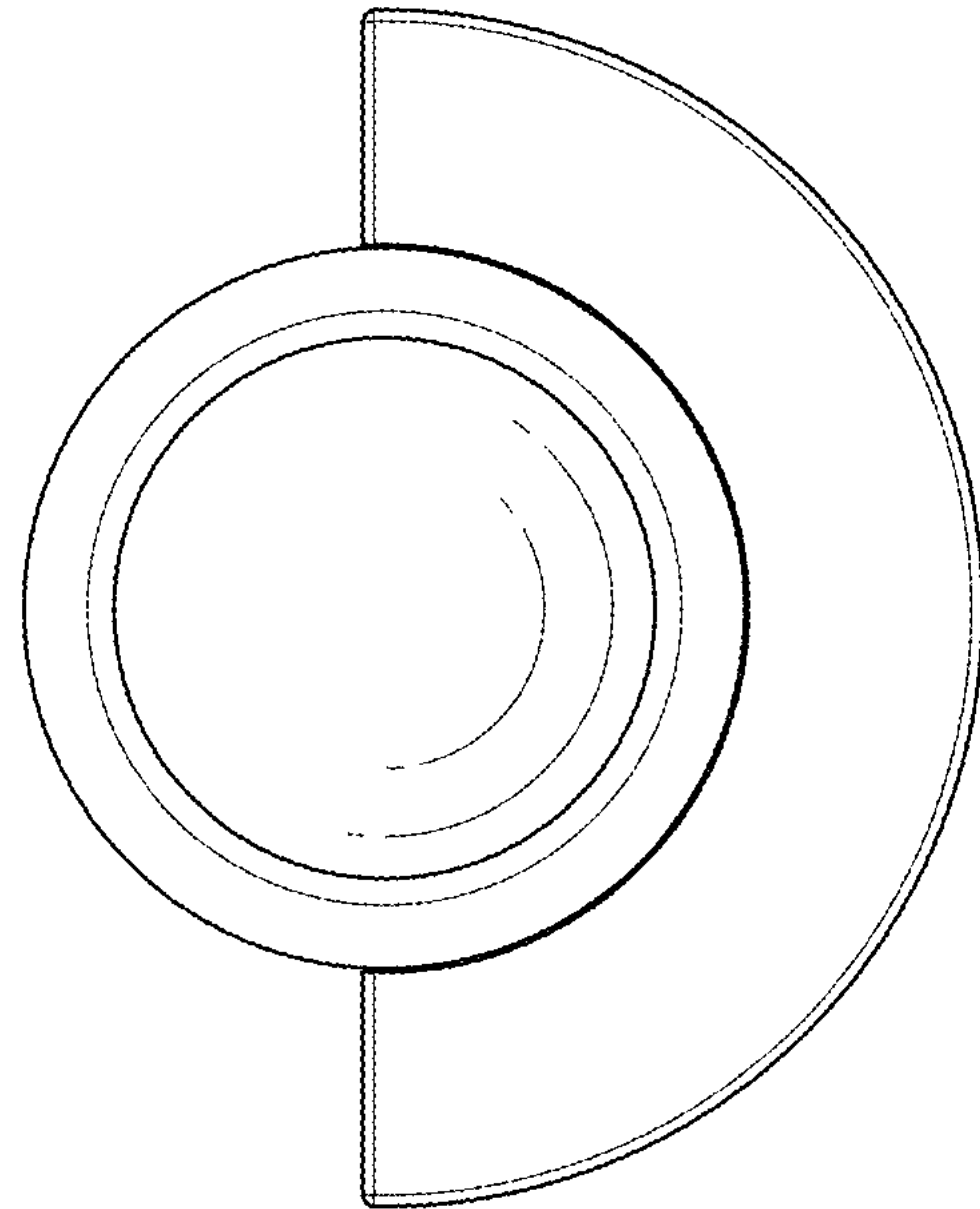


FIG. 7

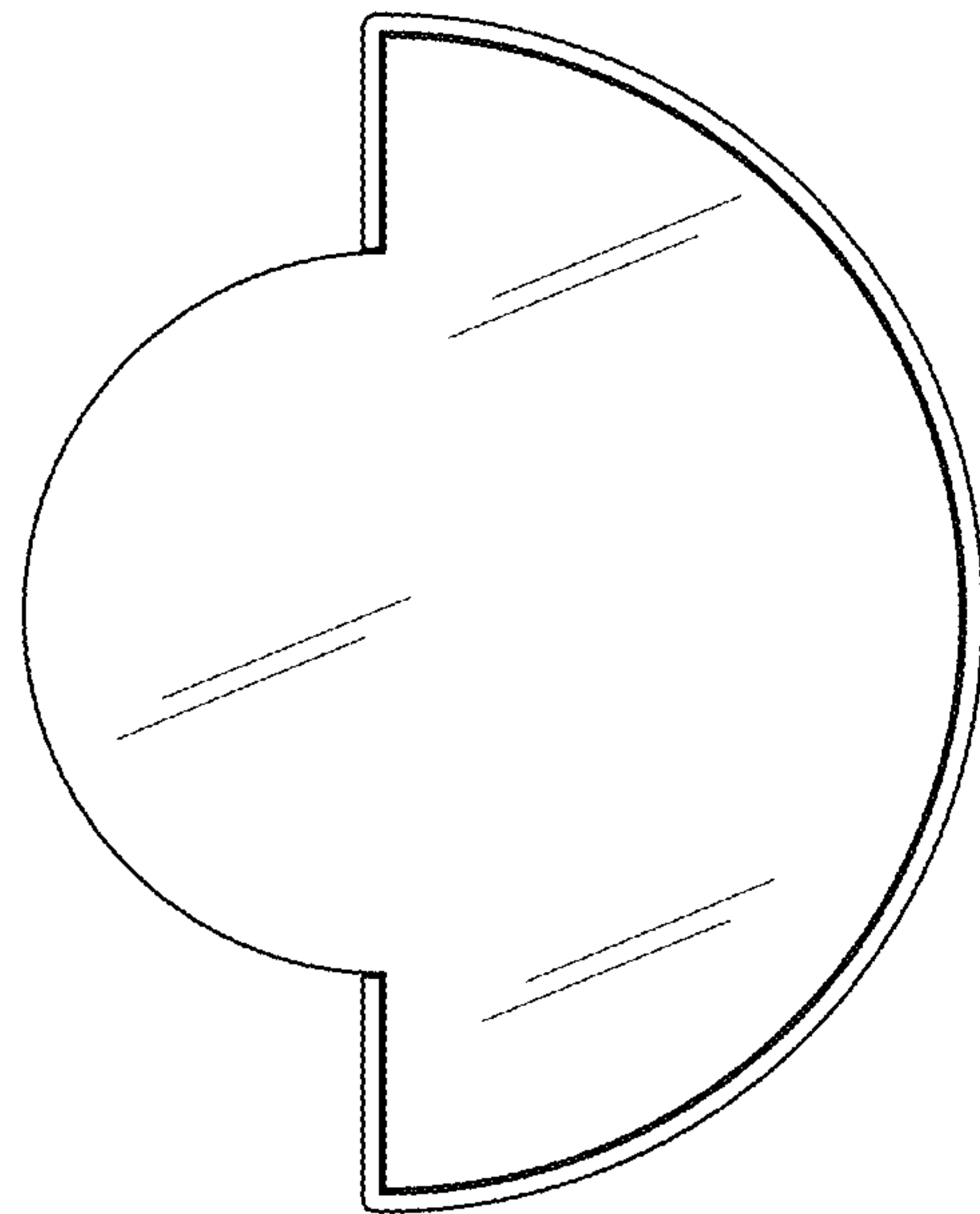


FIG. 8