



US00D738214S

(12) **United States Design Patent**
Schwarz

(10) **Patent No.:** **US D738,214 S**

(45) **Date of Patent:** **** Sep. 8, 2015**

(54) **DISPENSER HEAD**

(71) Applicant: **Jutta Schwarz**, Stockach (DE)

(72) Inventor: **Jutta Schwarz**, Stockach (DE)

(73) Assignee: **APTAR RADOLFZELL GMBH**,
Radolfzell (DE)

(**) Term: **14 Years**

(21) Appl. No.: **29/490,834**

(22) Filed: **May 14, 2014**

(30) **Foreign Application Priority Data**

Dec. 30, 2013 (EM) 002378828

(51) **LOC (10) Cl.** **09-07**

(52) **U.S. Cl.**
USPC **D9/449**

(58) **Field of Classification Search**
USPC D7/300, 300.1, 317, 376, 387, 392, 397,
D7/398, 510, 511, 619.1; D9/434, 435,
D9/436, 440, 443, 444, 445, 447, 449, 450,
D9/452, 453, 499, 503, 723; D24/114;
215/206, 216, 219, 222, 252; 222/48,
222/394, 402.1, 402.13, 519-521
CPC ... B65D 47/122; B65D 47/205; B65D 47/242
See application file for complete search history.

(56) **References Cited**

U.S. PATENT DOCUMENTS

D171,432 S * 2/1954 Bernabo D9/447
D172,777 S * 8/1954 Bernabo et al. D9/447
D183,229 S * 7/1958 Stull D9/436
3,323,690 A * 6/1967 Monahon 222/402.13
D267,397 S * 12/1982 Mitchell D9/444
4,438,870 A * 3/1984 Stull 222/48
4,489,843 A * 12/1984 Drozd, Jr. 215/252
D419,069 S * 1/2000 Beck et al. D9/443

D423,358 S * 4/2000 Kreiseder D9/449
D467,769 S * 12/2002 Riendeau D9/447
D470,052 S * 2/2003 Klutts D9/447
D592,906 S * 5/2009 Allen et al. D7/398
D634,631 S * 3/2011 Taylor D9/447
D636,264 S * 4/2011 Wassum et al. D9/453
D637,907 S * 5/2011 Maxa et al. D9/452
2003/0173380 A1 * 9/2003 Gerber et al. 222/519
2012/0061343 A1 * 3/2012 Habibi-Naini 215/222

OTHER PUBLICATIONS

Kindergarten Lifestyle. Glu+Food Coloring=Paint. [Jun. 24, 2013],
[site visited Jan. 29, 2015]. Available from Internet, <URL:http://
kindergartenlifestyle.blogspot.com/2013/06/gluefood-coloring-
paint.html>.*

* cited by examiner

Primary Examiner — Robert M Spear

Assistant Examiner — Darcey E Heflin

(74) *Attorney, Agent, or Firm* — Flynn, Thiel, Boutell &
Tanis, P.C.

(57) **CLAIM**

The ornamental design for a dispenser head, as shown and
described.

DESCRIPTION

FIG. 1 is a perspective view of a dispenser head showing my
new design;

FIG. 2 is a front view thereof;

FIG. 3 is a rear view thereof;

FIG. 4 is a right side view thereof;

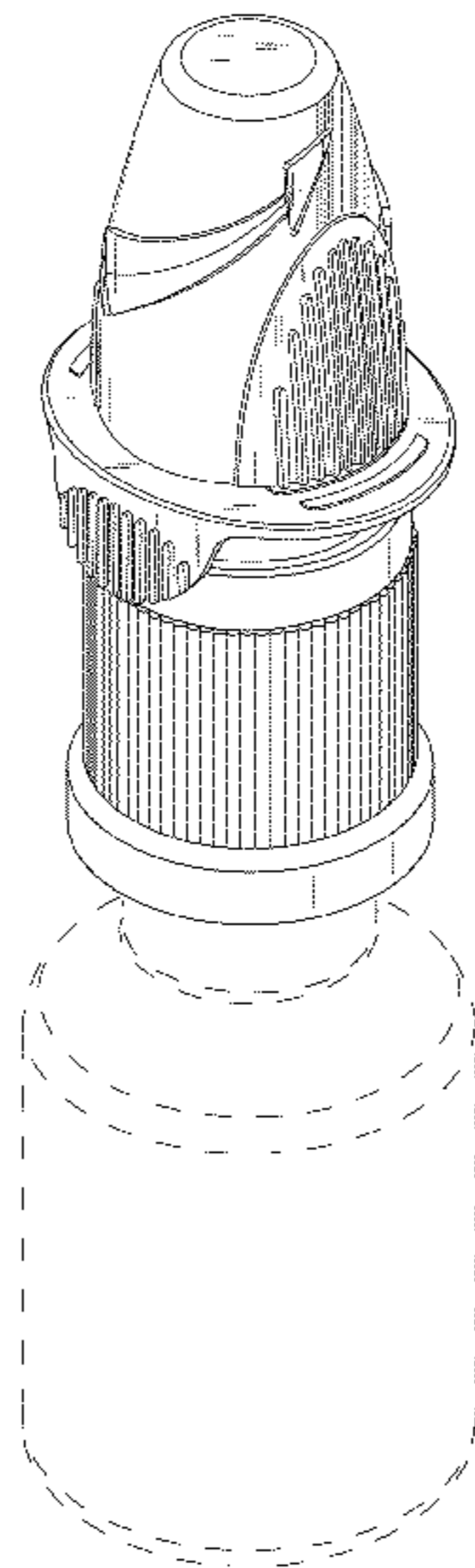
FIG. 5 is a left side view thereof;

FIG. 6 is a top view thereof; and,

FIG. 7 is a bottom view thereof.

The broken lines illustrating portions of the dispenser head
are for environmental purposes only and form no part of the
claimed design.

1 Claim, 7 Drawing Sheets



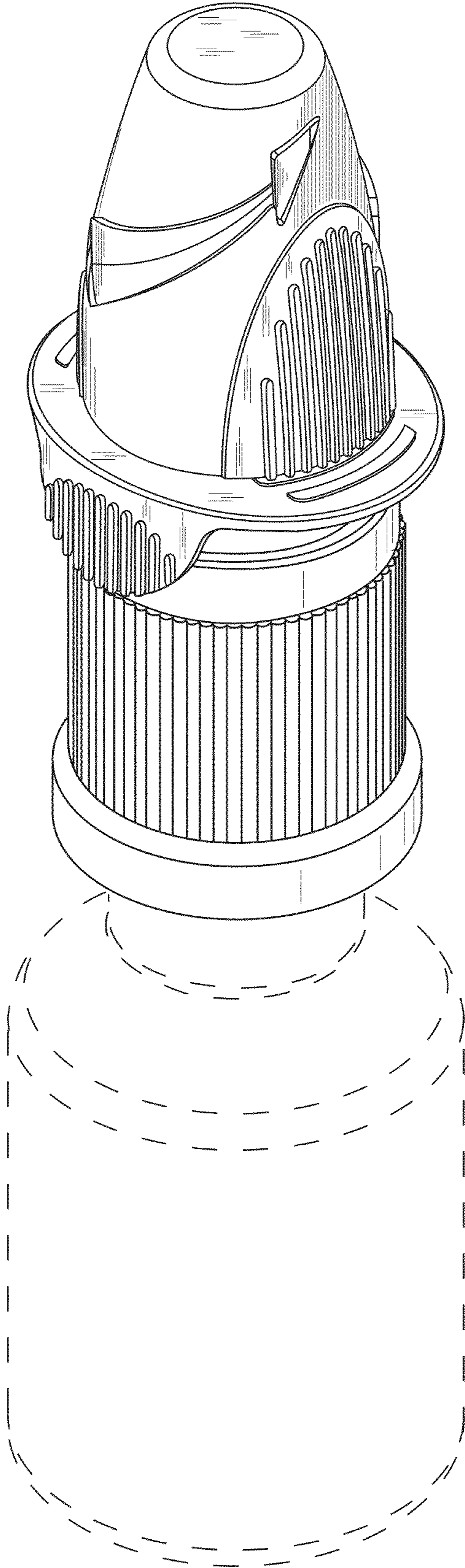


FIG. 1

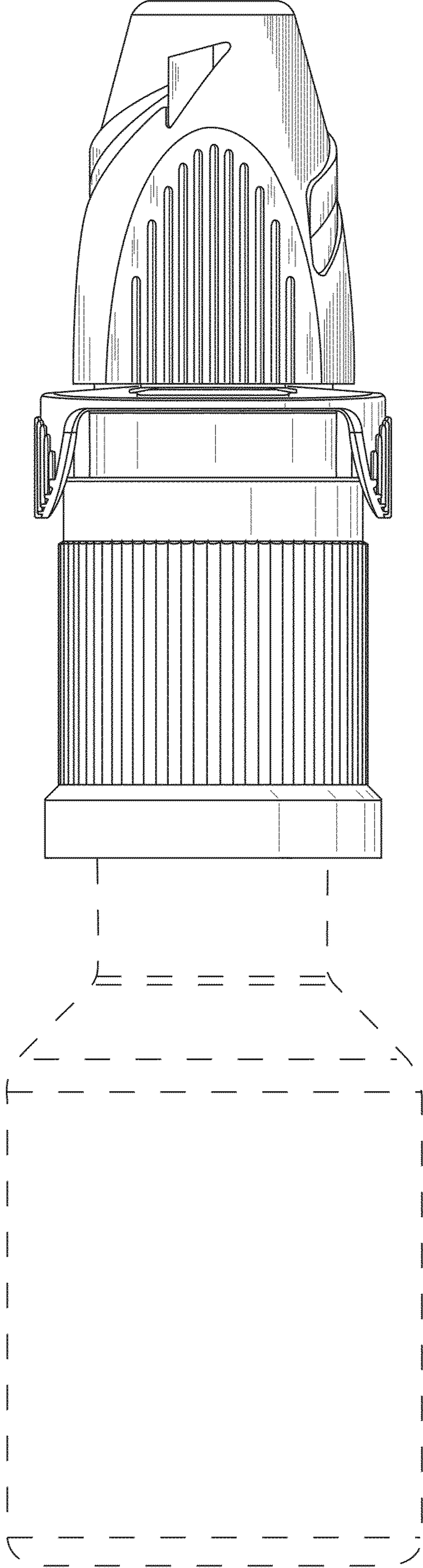


FIG. 2

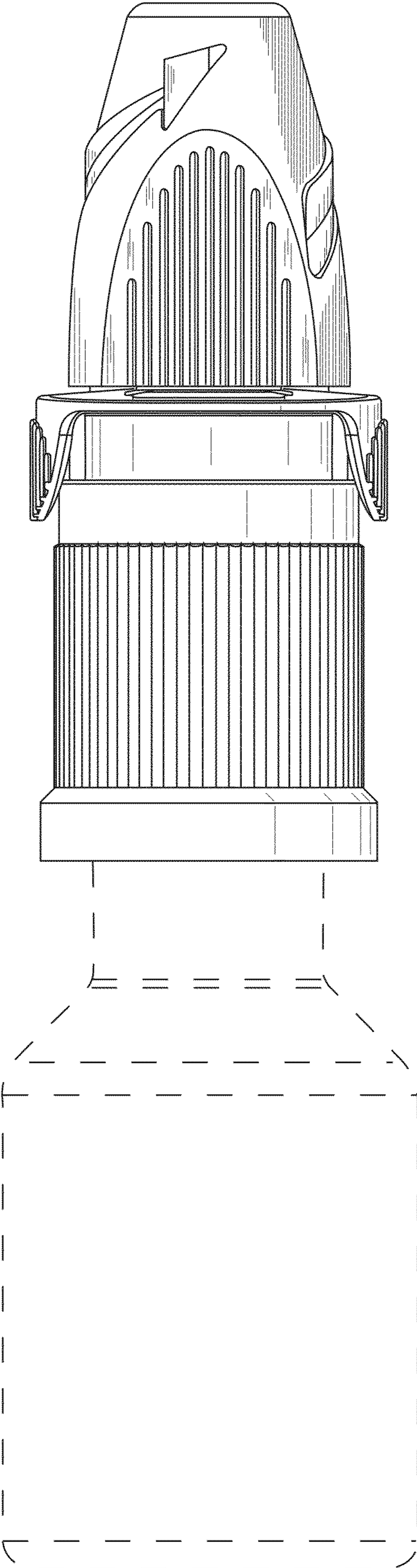


FIG. 3

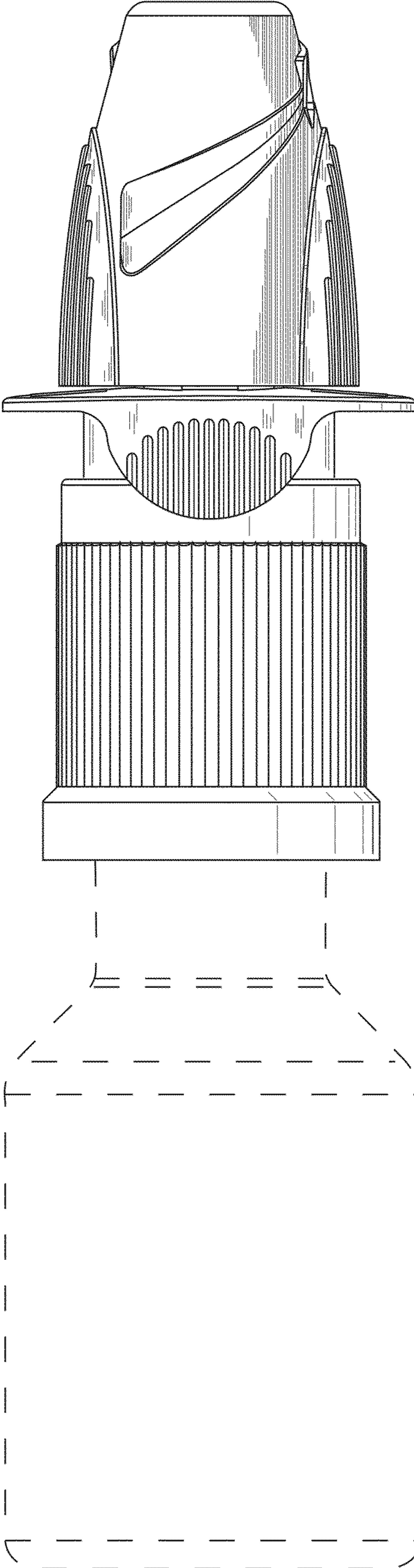


FIG. 4

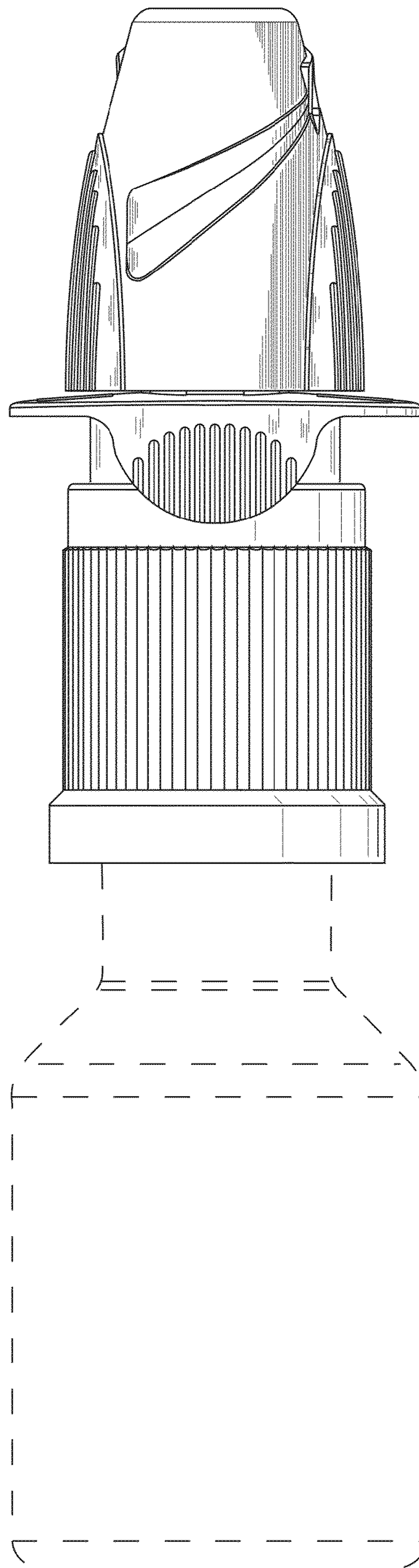


FIG. 5

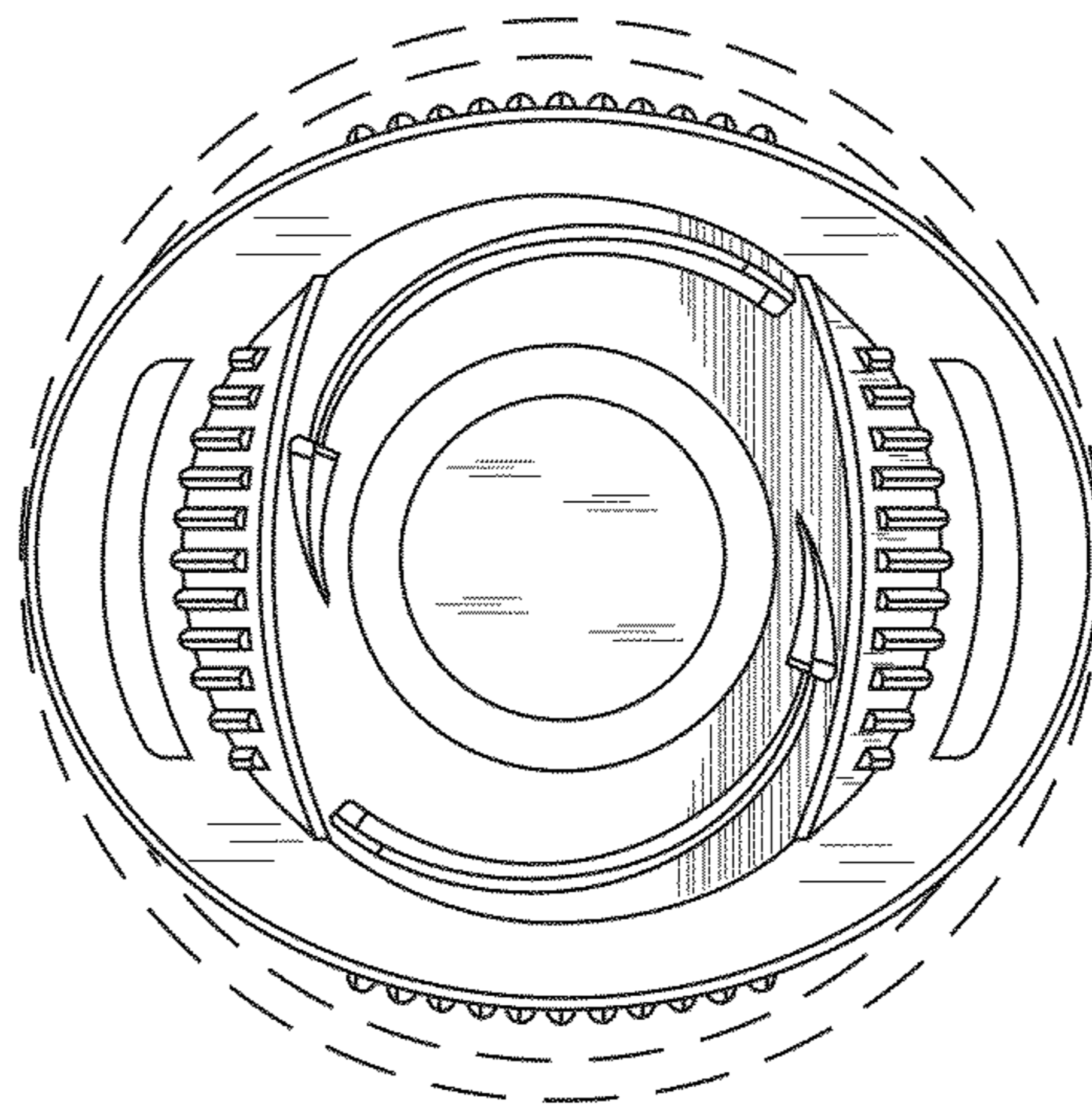


FIG. 6

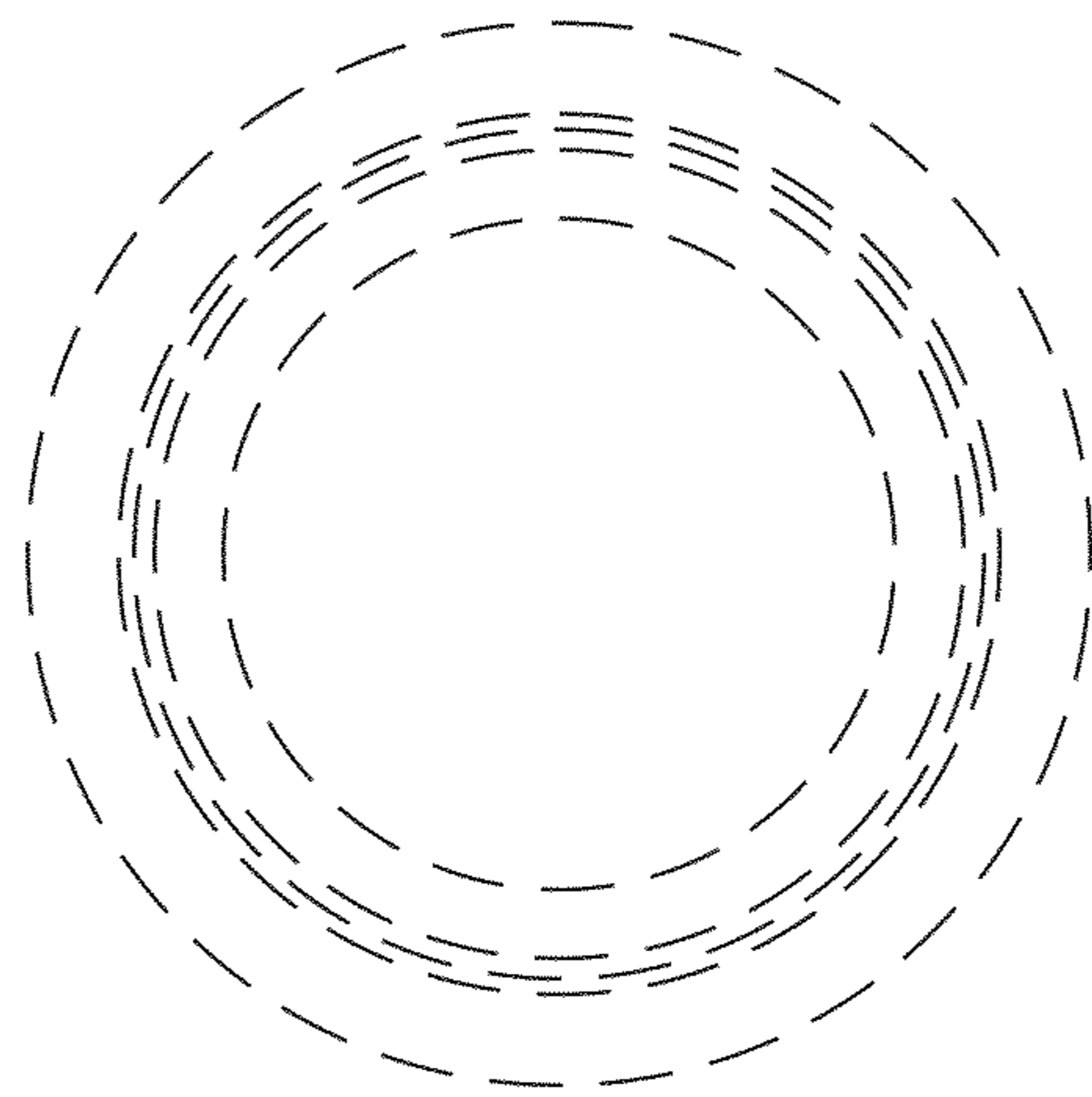


FIG. 7