



US00D738213S

(12) **United States Design Patent**
Agassi et al.

(10) **Patent No.:** **US D738,213 S**

(45) **Date of Patent:** **** *Sep. 8, 2015**

(54) **POURER**
(71) Applicant: **AGAM Innovations Ltd.**, Tel-Aviv (IL)
(72) Inventors: **Or Agassi**, Tel Aviv (IL); **Reuven Marko**, Netanya (IL)

4,105,141 A 8/1978 Lane et al.
4,171,749 A 10/1979 Aichinger et al.
4,217,988 A 8/1980 Curtis et al.
4,261,484 A 4/1981 DaCosta et al.

(Continued)

OTHER PUBLICATIONS

(73) Assignee: **AGAM Innovations Ltd.**, Netanya (IL)

International Search Authority: "Written Opinion of the International Searching Authority" (PCT Rule 43bis.1) including International Search Report for International Patent Application No. PCT/IL 11/00783; Date of Mailing: May 4, 2012.

(*) Notice: This patent is subject to a terminal disclaimer.

(**) Term: **14 Years**

Primary Examiner — Robert M Spear

(21) Appl. No.: **29/482,415**

(74) *Attorney, Agent, or Firm* — M&B IP Analysts, LLC

(22) Filed: **Feb. 18, 2014**

(57) **CLAIM**

(51) **LOC (10) Cl.** **09-07**

We claim the ornamental design for a pourer, as shown and described.

(52) **U.S. Cl.**

USPC **D9/449**

DESCRIPTION

(58) **Field of Classification Search**

USPC D9/434, 435, 440, 441, 446, 447, 450, D9/499; D7/391, 392, 392.1, 397, 398, D7/515; 222/189.7, 190, 477, 478, 481.5, 222/484, 567, 569; 220/711, 714, 717; 215/1, 21, 23, 25, 216, 245, 256, 316
See application file for complete search history.

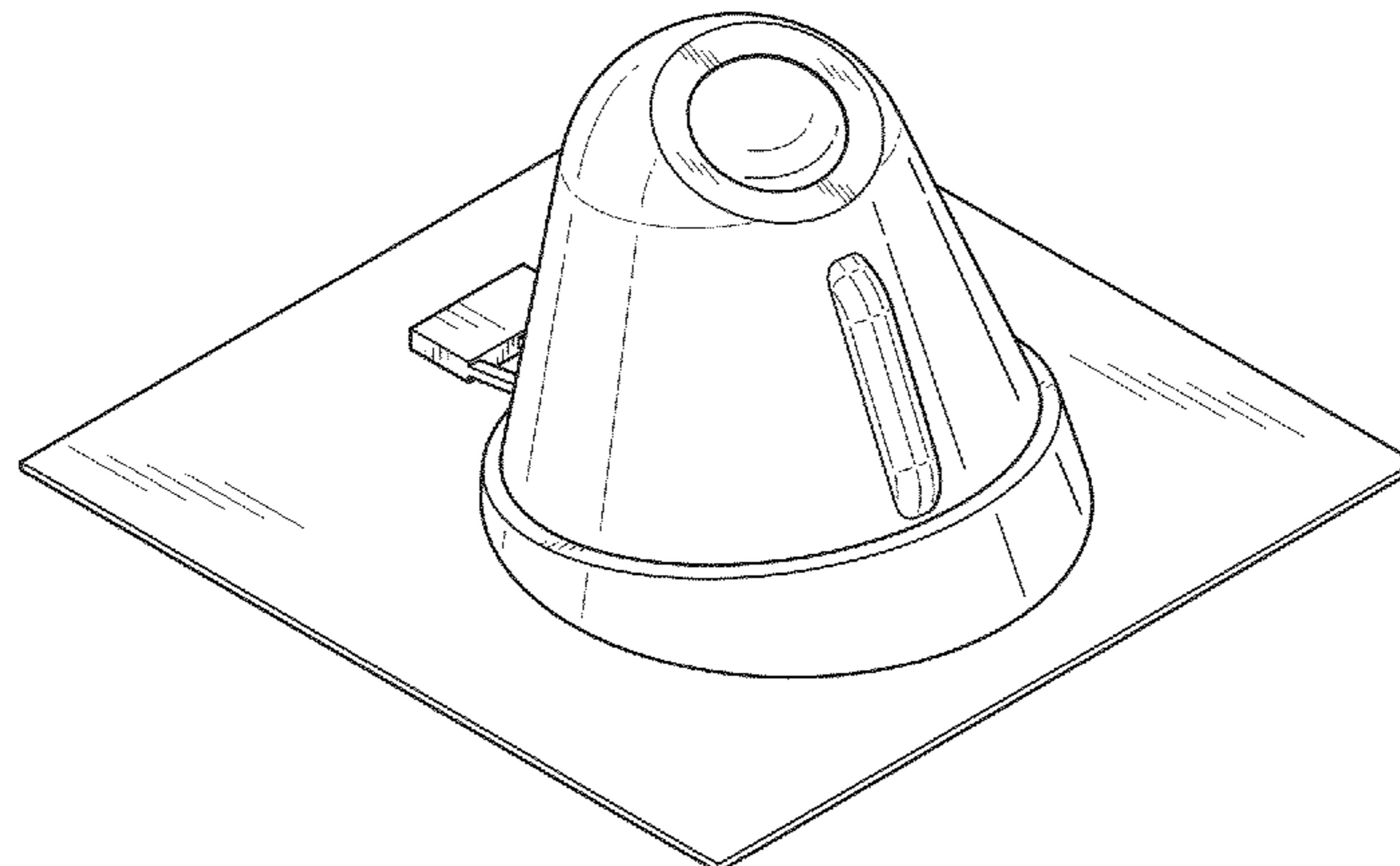
FIG. 1 is a top isometric view of cap for a pourer showing our new design in closed position;
FIG. 2 is a bottom isometric view in closed position thereof;
FIG. 3 is a top view thereof;
FIG. 4 is a bottom view thereof;
FIG. 5 is a front side view thereof;
FIG. 6 is a rear side view thereof;
FIG. 7 is a right side view thereof;
FIG. 8 is a left side view thereof;
FIG. 9 is a top isometric view in open position thereof;
FIG. 10 is a bottom isometric view in open position thereof;
FIG. 11 is a top isometric view in open position from other angle thereof;
FIG. 12 is a top view thereof;
FIG. 13 is a bottom view thereof;
FIG. 14 is a front view thereof;
FIG. 15 is a right view thereof; and,
FIG. 16 is a left view thereof.

(56) **References Cited**

U.S. PATENT DOCUMENTS

2,112,125 A 3/1938 Von Bultzingslowen
D117,841 S * 11/1939 Hoeter D9/440
D176,402 S * 12/1955 Biederman D9/447
D206,971 S * 2/1967 Williams D9/446
D217,330 S 4/1970 Conry
3,630,419 A 12/1971 Pierce
3,750,915 A * 8/1973 Kearney 222/567
D229,826 S 1/1974 Raptis
3,796,348 A 3/1974 Zipper
3,894,661 A 7/1975 Guala
3,966,099 A 6/1976 Sanford, Jr. et al.
4,010,875 A 3/1977 Babiol

1 Claim, 8 Drawing Sheets



(56)

References Cited

U.S. PATENT DOCUMENTS

4,311,259	A	1/1982	Babiol	6,742,678	B1	6/2004	Krystopik, Jr.
4,384,662	A	5/1983	Boudin et al.	D501,359	S	2/2005	Bodum
4,427,138	A	1/1984	Heinlein	6,851,584	B2	2/2005	White
D272,793	S *	2/1984	Appel et al.	6,851,586	B2	2/2005	Odet
4,497,422	A	2/1985	Klees	6,883,689	B2	4/2005	Odet
4,523,687	A	6/1985	Hullihen	6,892,905	B2	5/2005	Cousseau
4,597,513	A	7/1986	Schiemann	D513,180	S	12/2005	Lindsey et al.
D285,055	S	8/1986	Heubel	D529,799	S	10/2006	Jensen
D285,892	S	9/1986	Doyel	D533,776	S	12/2006	Allen et al.
4,736,871	A	4/1988	Luciani et al.	7,237,692	B2	7/2007	Bodum
4,756,435	A	7/1988	Schick et al.	7,300,580	B2	11/2007	Lindsey et al.
4,869,399	A	9/1989	Dubach	7,407,067	B2	8/2008	Kerkhof et al.
4,884,705	A	12/1989	Debetencourt	D577,997	S	10/2008	Pan
4,984,711	A	1/1991	Ellis	D584,151	S *	1/2009	Murphy D9/453
5,020,690	A	6/1991	Kishikawa et al.	D587,524	S	3/2009	Allen et al.
5,044,530	A	9/1991	Stull	D587,571	S	3/2009	Gonzales, Jr.
D326,818	S	6/1992	Maquire	D591,594	S	5/2009	Jalet
5,181,632	A	1/1993	Latter	7,527,180	B2	5/2009	Allen et al.
5,211,318	A	5/1993	Govatzidakis	7,622,039	B2	11/2009	Farrell et al.
D336,429	S *	6/1993	Petoskey D9/447	D624,412	S *	9/2010	Jenkins D9/445
5,303,839	A	4/1994	Blumenschein	D633,753	S	3/2011	White
5,303,850	A	4/1994	Connan	D634,631	S *	3/2011	Taylor D9/447
5,346,099	A	9/1994	Salmon et al.	D639,421	S	6/2011	Sano et al.
5,462,201	A	10/1995	Wilkins	D652,251	S	1/2012	Goralski et al.
5,713,491	A	2/1998	Hughes et al.	8,245,882	B1	8/2012	Federighi
5,785,209	A	7/1998	Guglielmini	D668,502	S *	10/2012	Sakulsacha D7/392.1
D398,813	S *	9/1998	Franzese D7/396.2	D673,420	S *	1/2013	Imo D7/392.1
5,799,836	A	9/1998	Lee	D676,125	S *	2/2013	Hair D24/108
5,823,383	A	10/1998	Hins	D676,126	S *	2/2013	Hair D24/108
5,871,118	A *	2/1999	Franzese 220/717	D678,768	S *	3/2013	Agassi et al. D9/440
5,961,008	A	10/1999	Peckels	D688,127	S *	8/2013	Agassi et al. D9/440
D418,417	S	1/2000	Hollinger	D700,511	S *	3/2014	Agassi et al. D9/440
6,016,935	A	1/2000	Huegerich et al.	D709,373	S *	7/2014	Agassi et al. D9/449
D426,300	S *	6/2000	Conforti D24/115	2003/0062367	A1 *	4/2003	Robinson et al. 220/254.1
6,085,949	A	7/2000	Zimny et al.	2005/0194410	A1	9/2005	Pham
6,123,225	A	9/2000	Peckels	2006/0000855	A1	1/2006	Allen et al.
6,138,849	A	10/2000	Roemer et al.	2008/0017675	A1	1/2008	Pressey
6,149,022	A	11/2000	Akyildiz et al.	2008/0073383	A1	3/2008	McDonald
6,315,160	B1	11/2001	Gaiser et al.	2008/0099514	A1	5/2008	Carter et al.
6,409,054	B1	6/2002	Garibaldi	2008/0237178	A1	10/2008	Ochoa et al.
6,488,186	B2	12/2002	Gaiser et al.	2008/0272147	A1	11/2008	Buker et al.
D468,205	S	1/2003	Pierce	2010/0006590	A1	1/2010	Withoos et al.
6,568,660	B1	5/2003	Flanbaum	2010/0038378	A1	2/2010	Gabler et al.
D484,801	S	1/2004	Pierce	2010/0091605	A1	4/2010	Rasmussen et al.
				2011/0024383	A1	2/2011	McKenna et al.
				2012/0085790	A1 *	4/2012	Agassi et al. 222/479

* cited by examiner

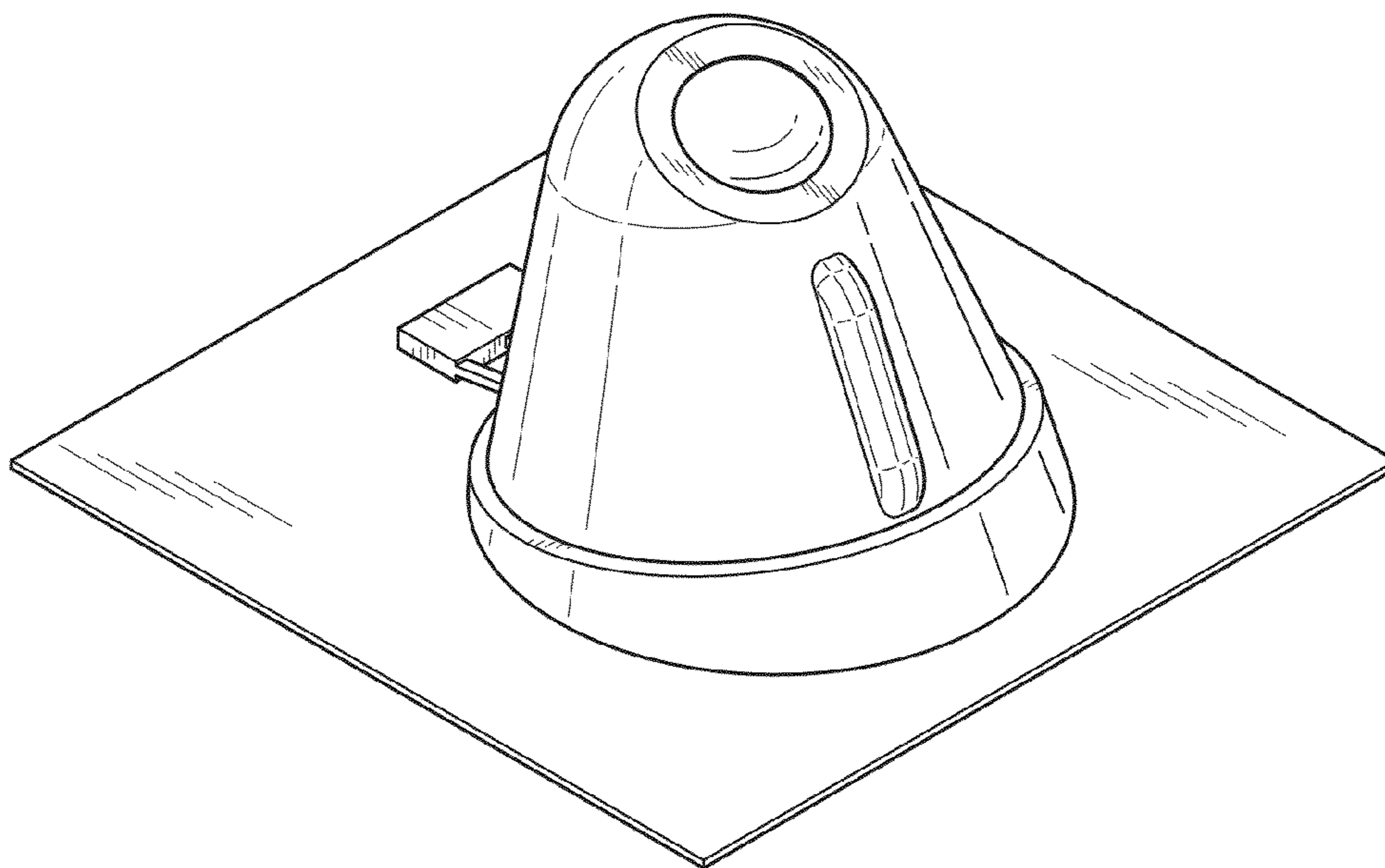


FIG. 1

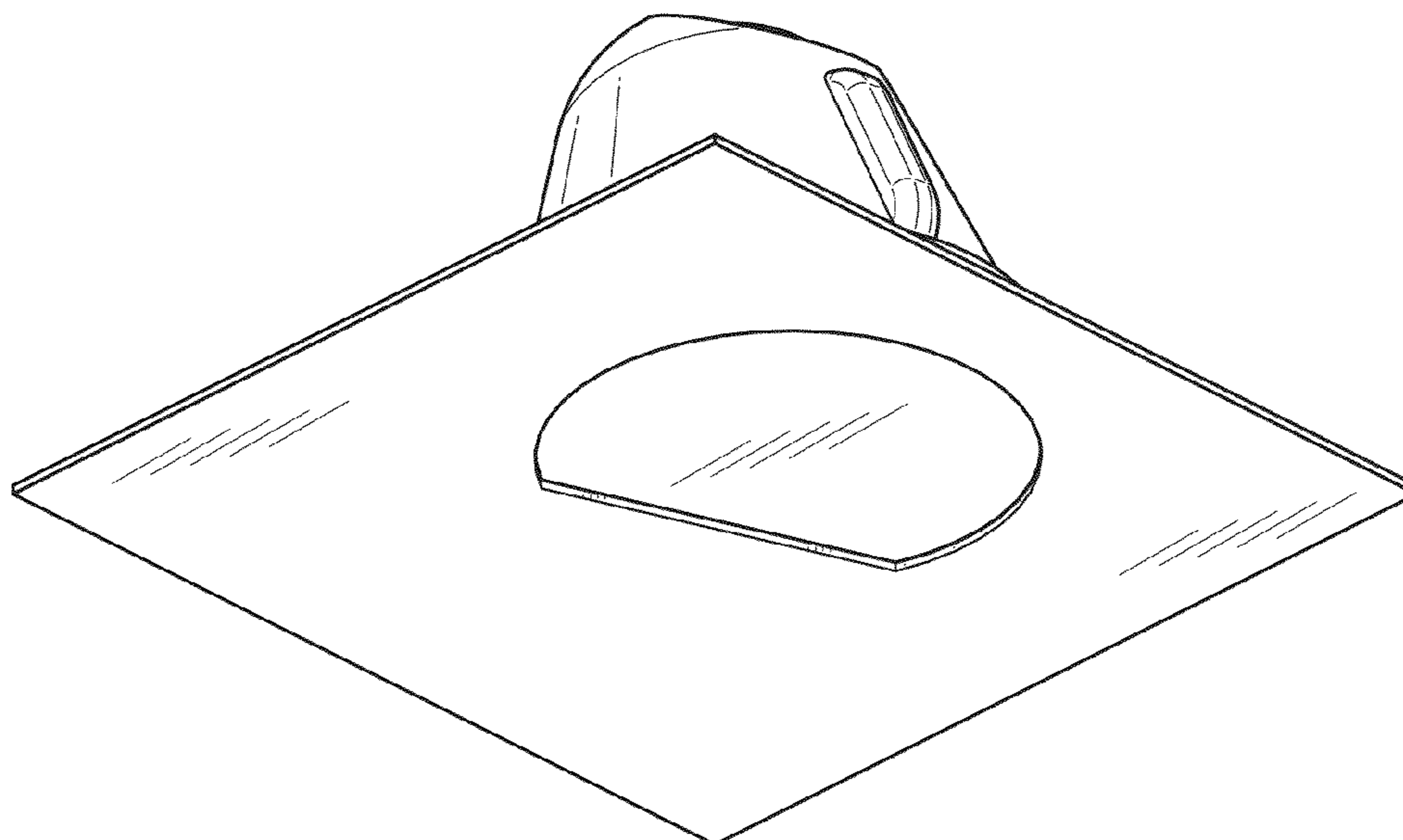


FIG. 2

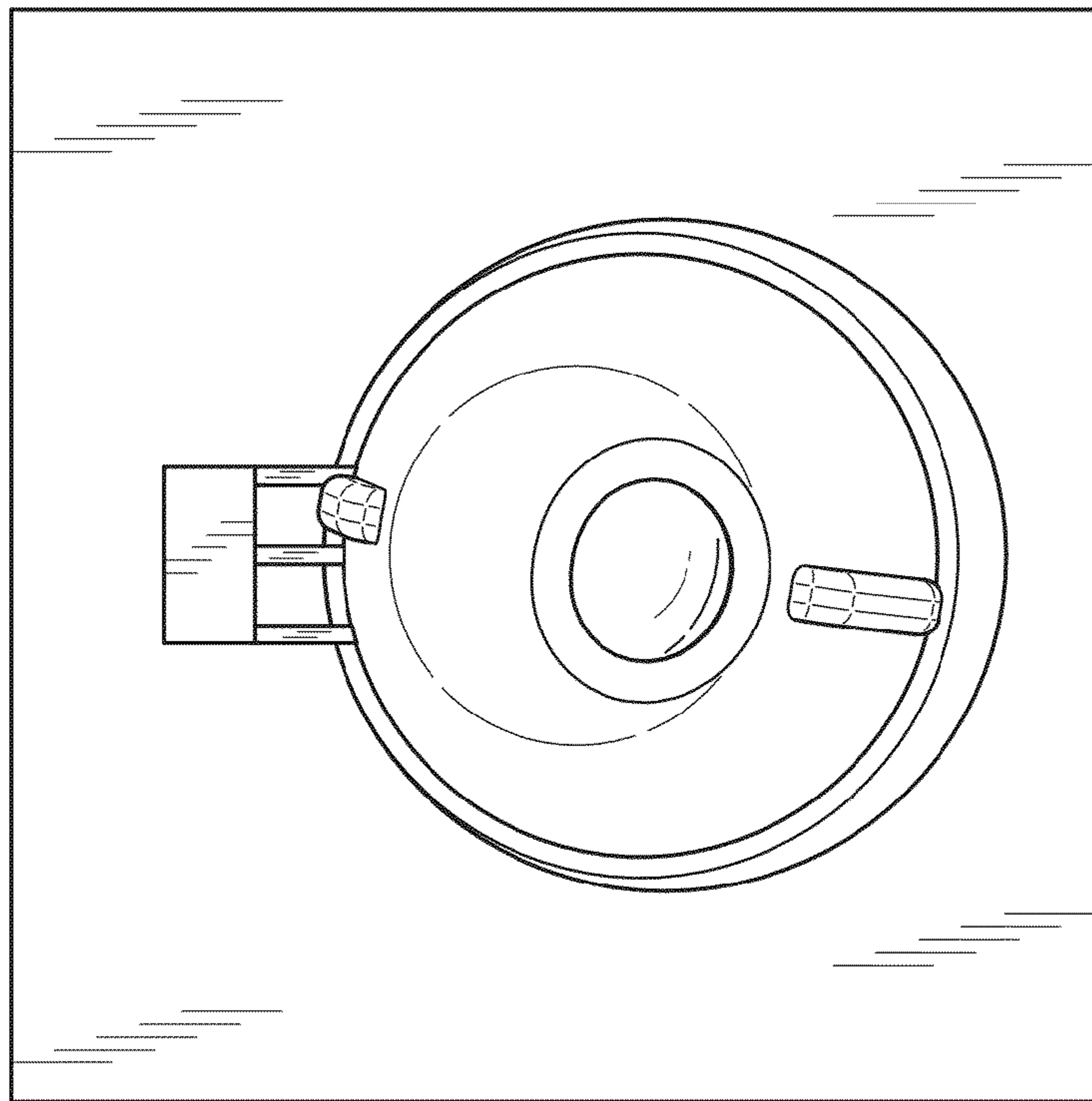


FIG. 3

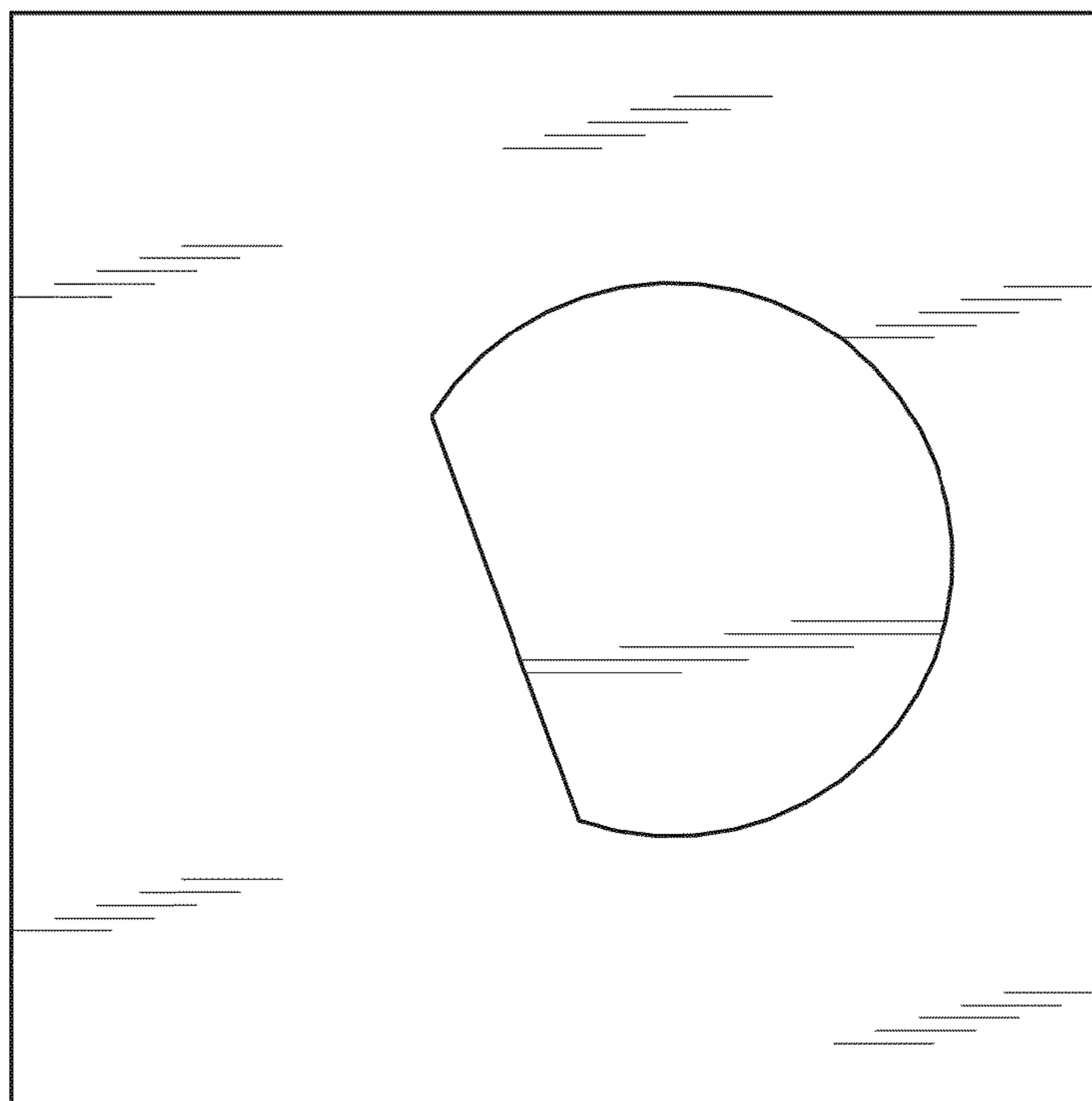


FIG. 4

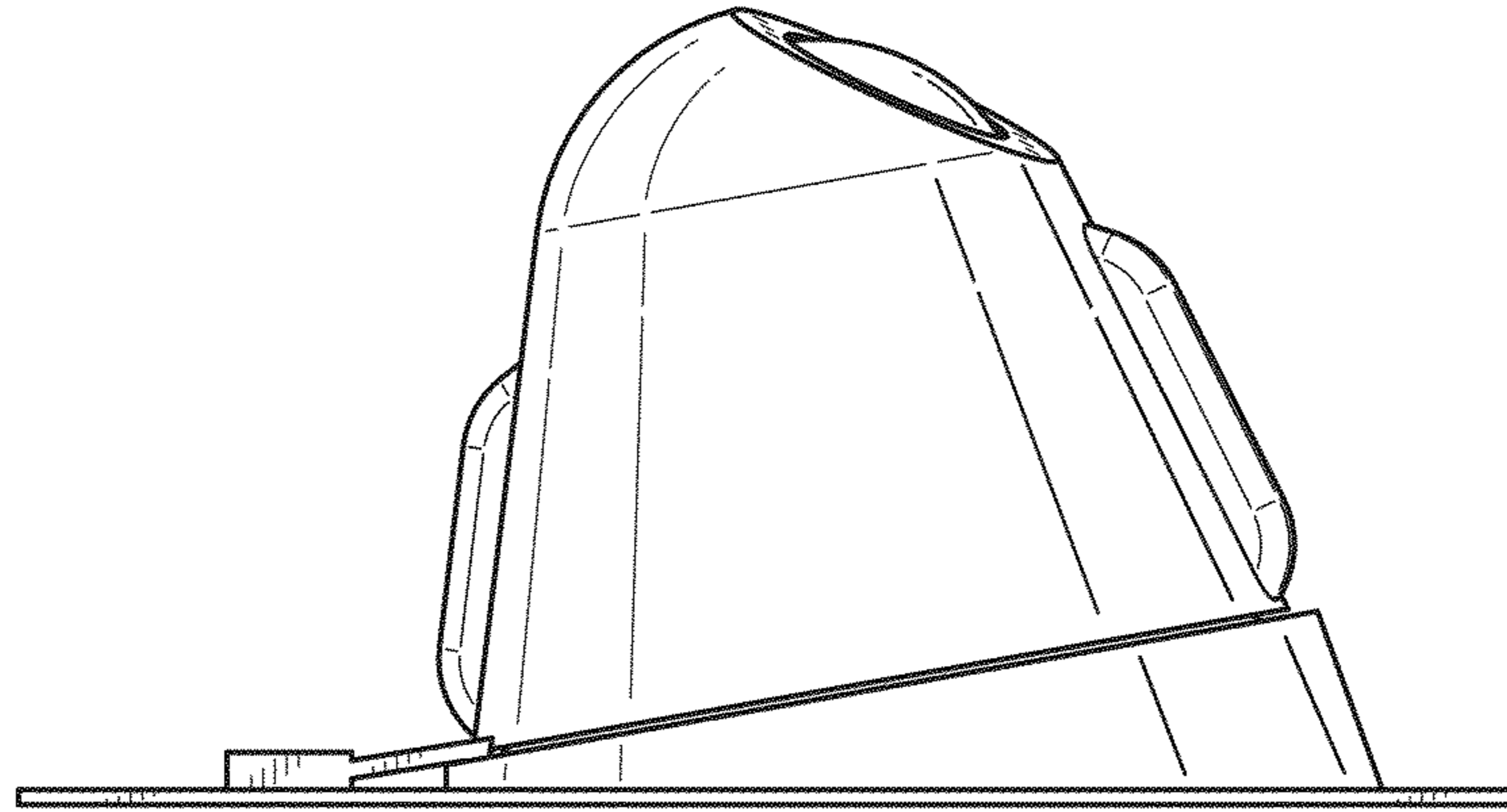


FIG. 5

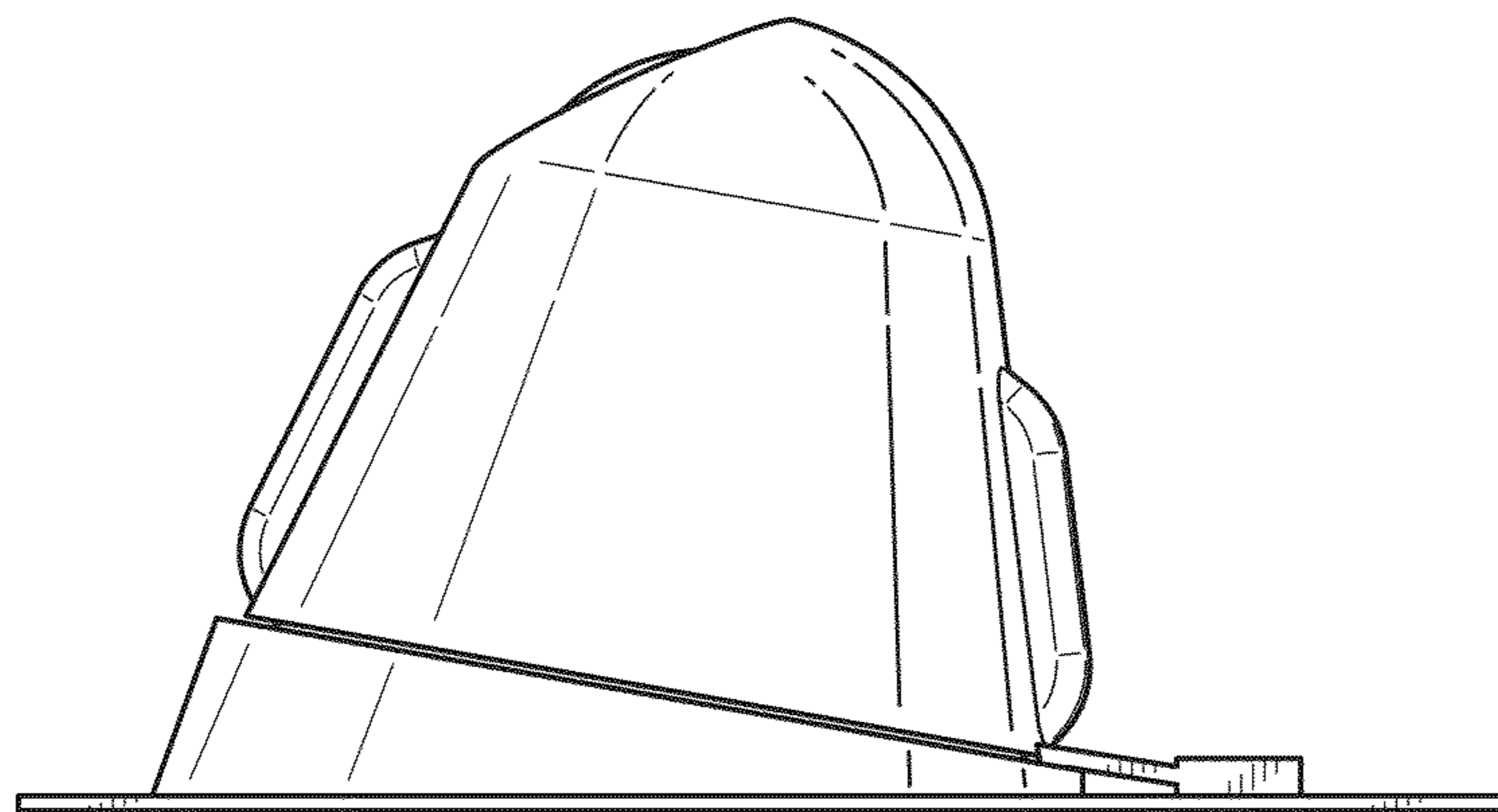


FIG. 6

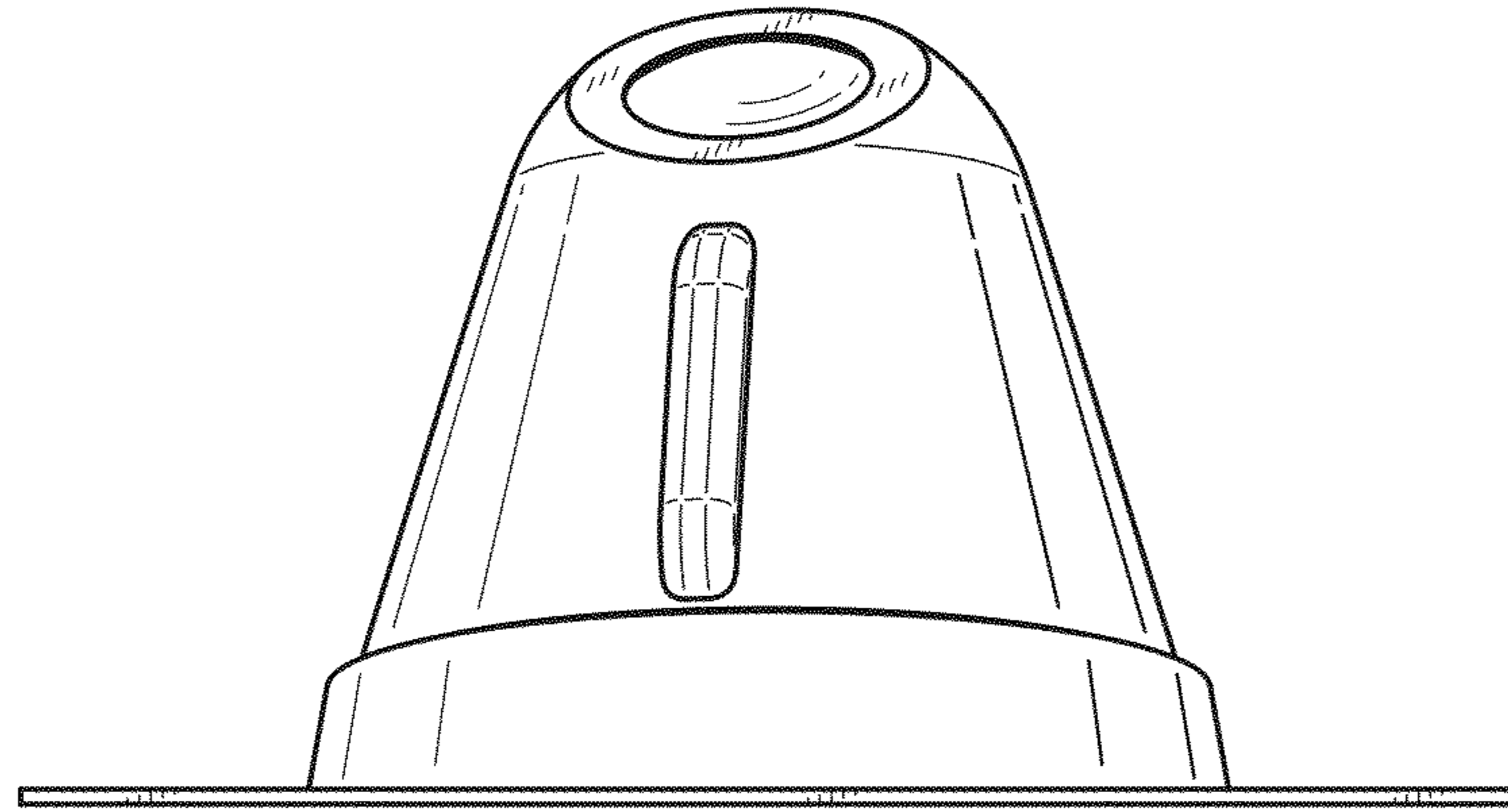


FIG. 7

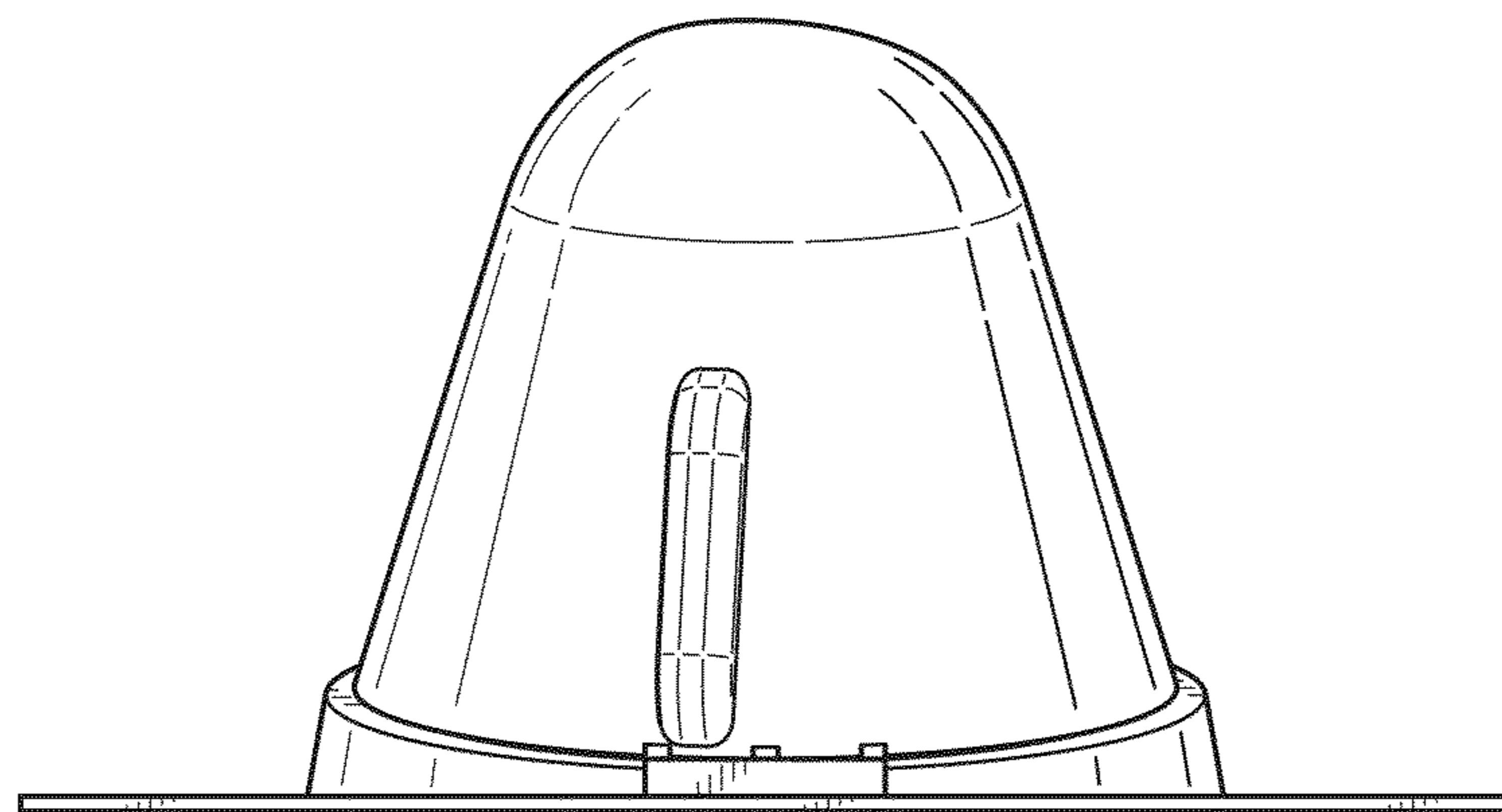


FIG. 8

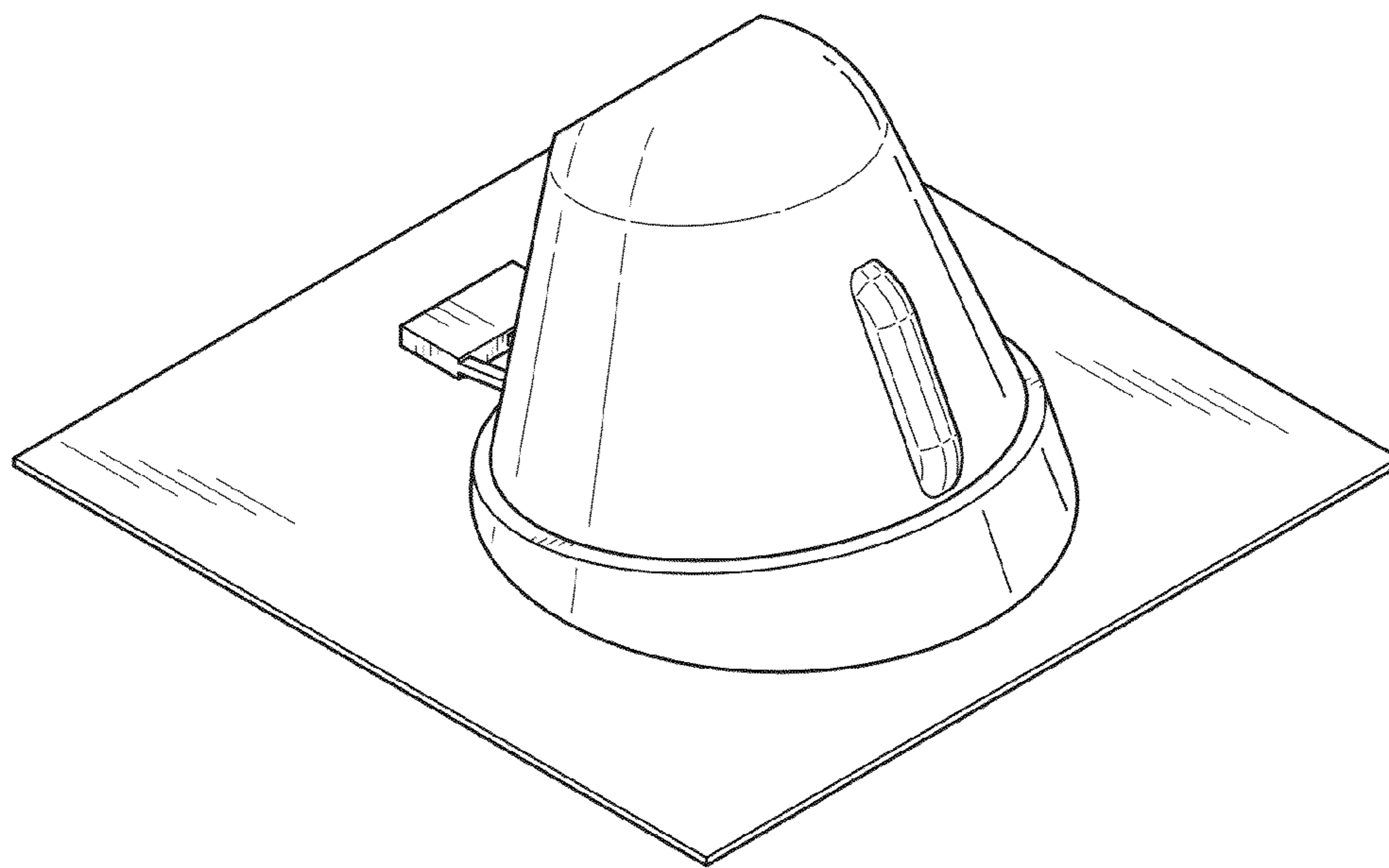


FIG. 9

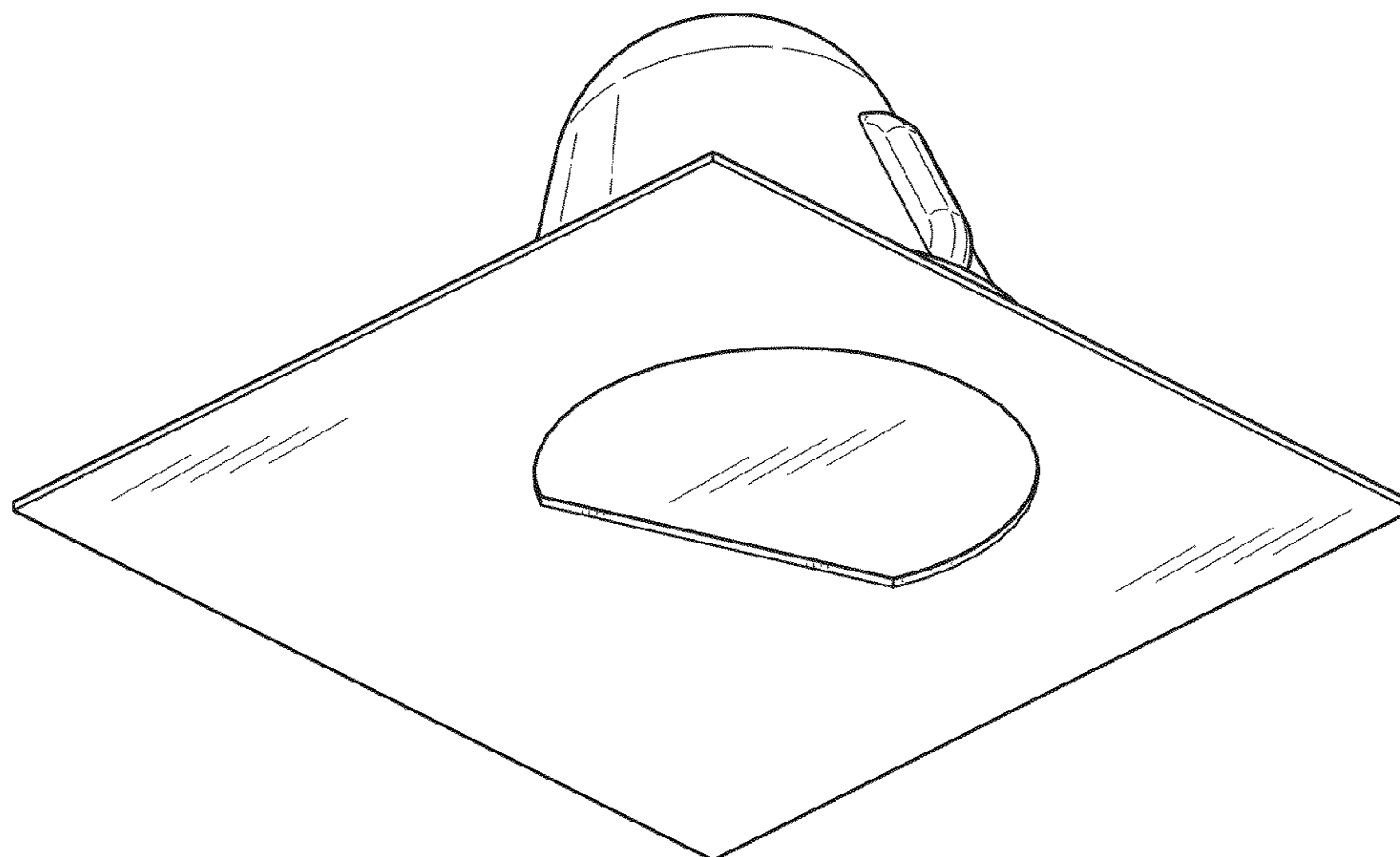


FIG. 10

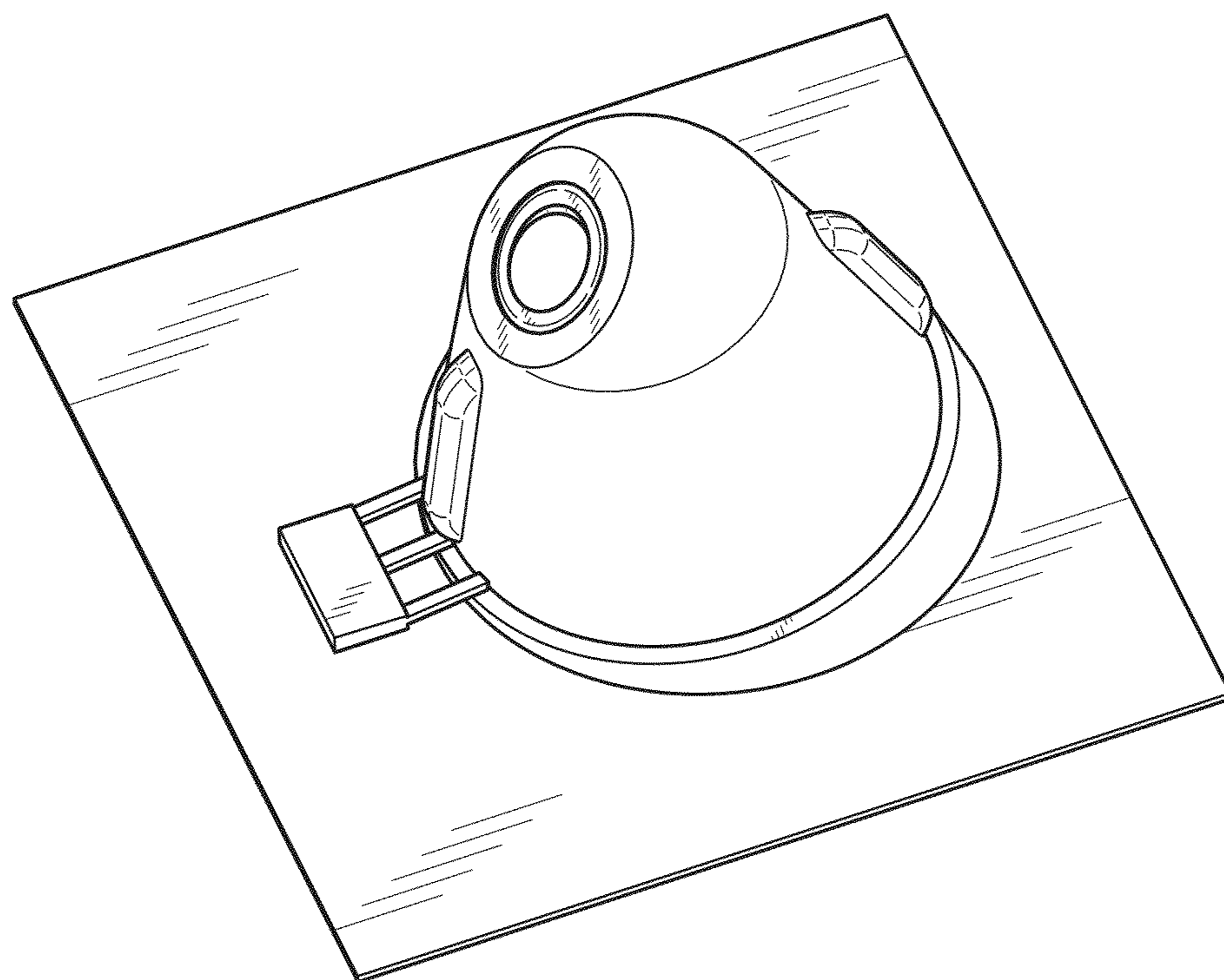


FIG. 11

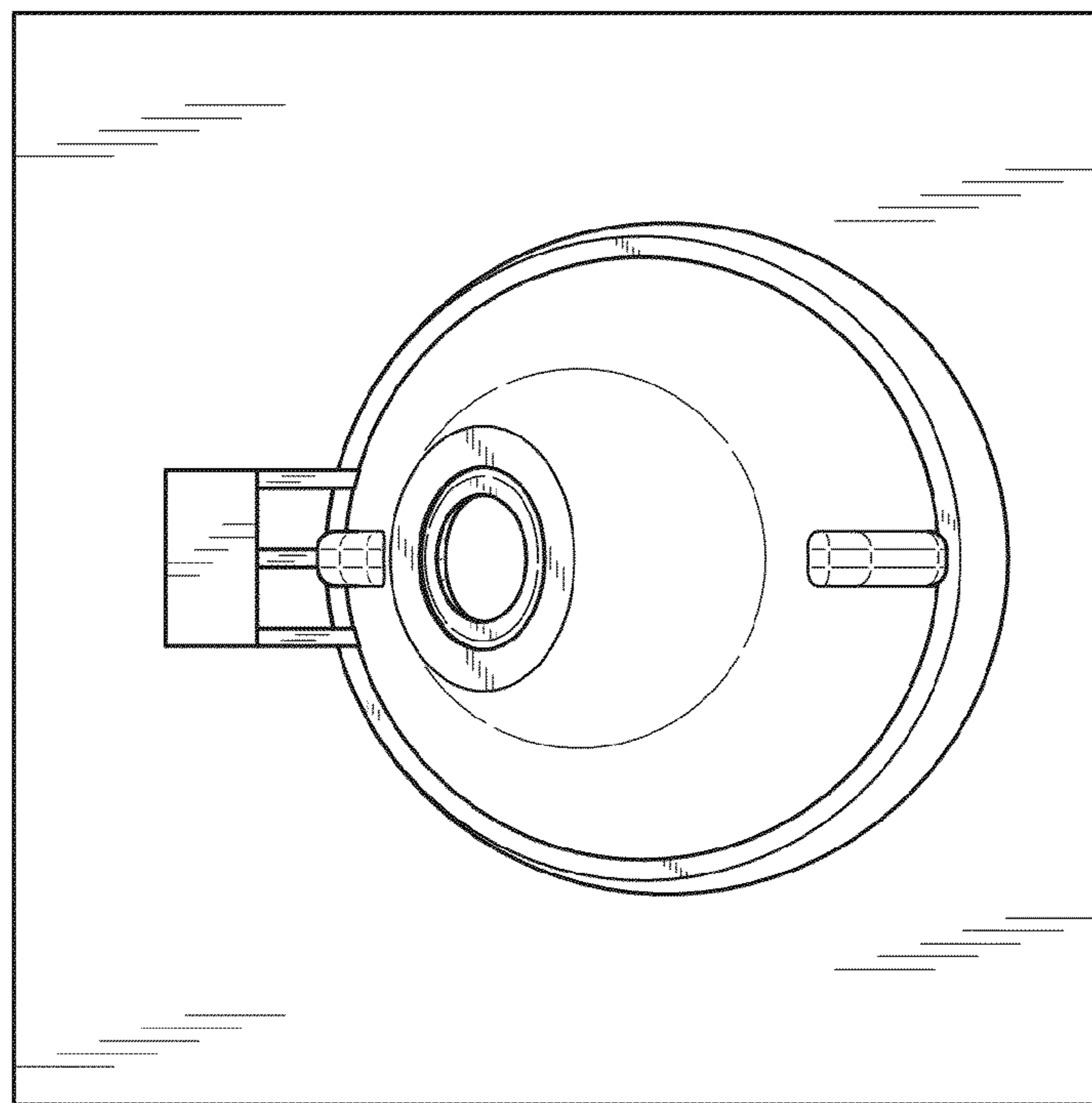


FIG. 12

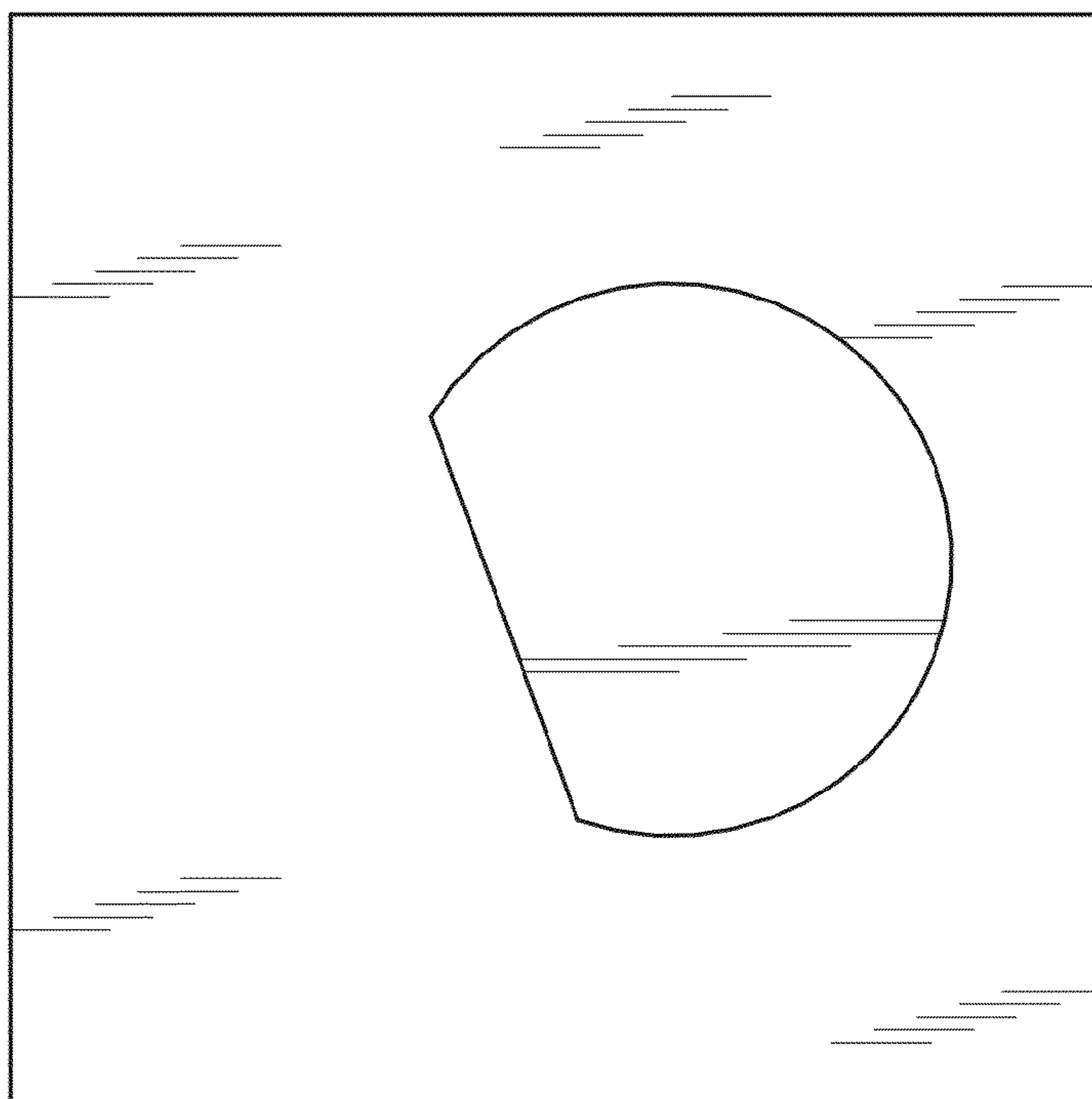


FIG. 13

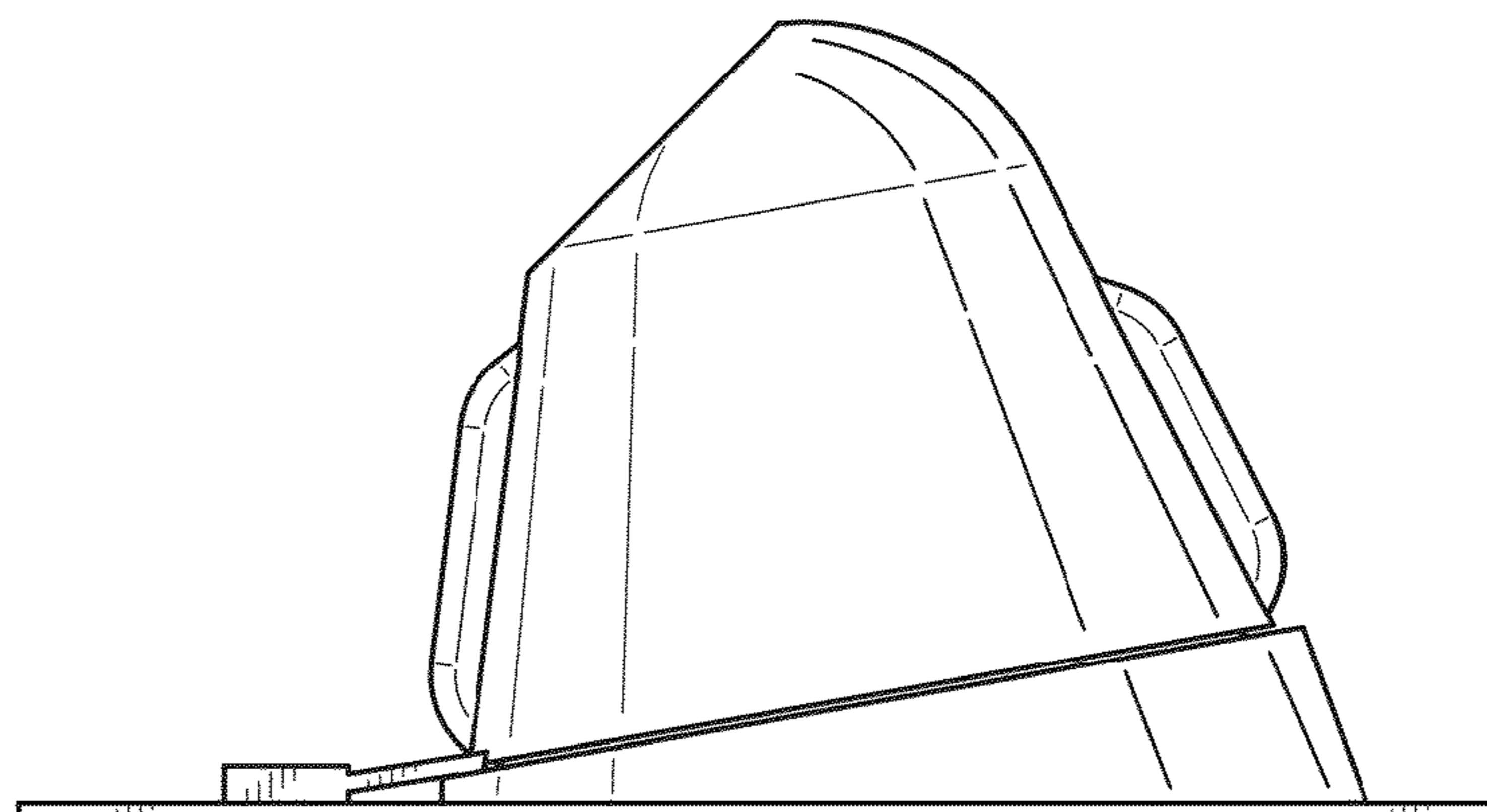


FIG. 14

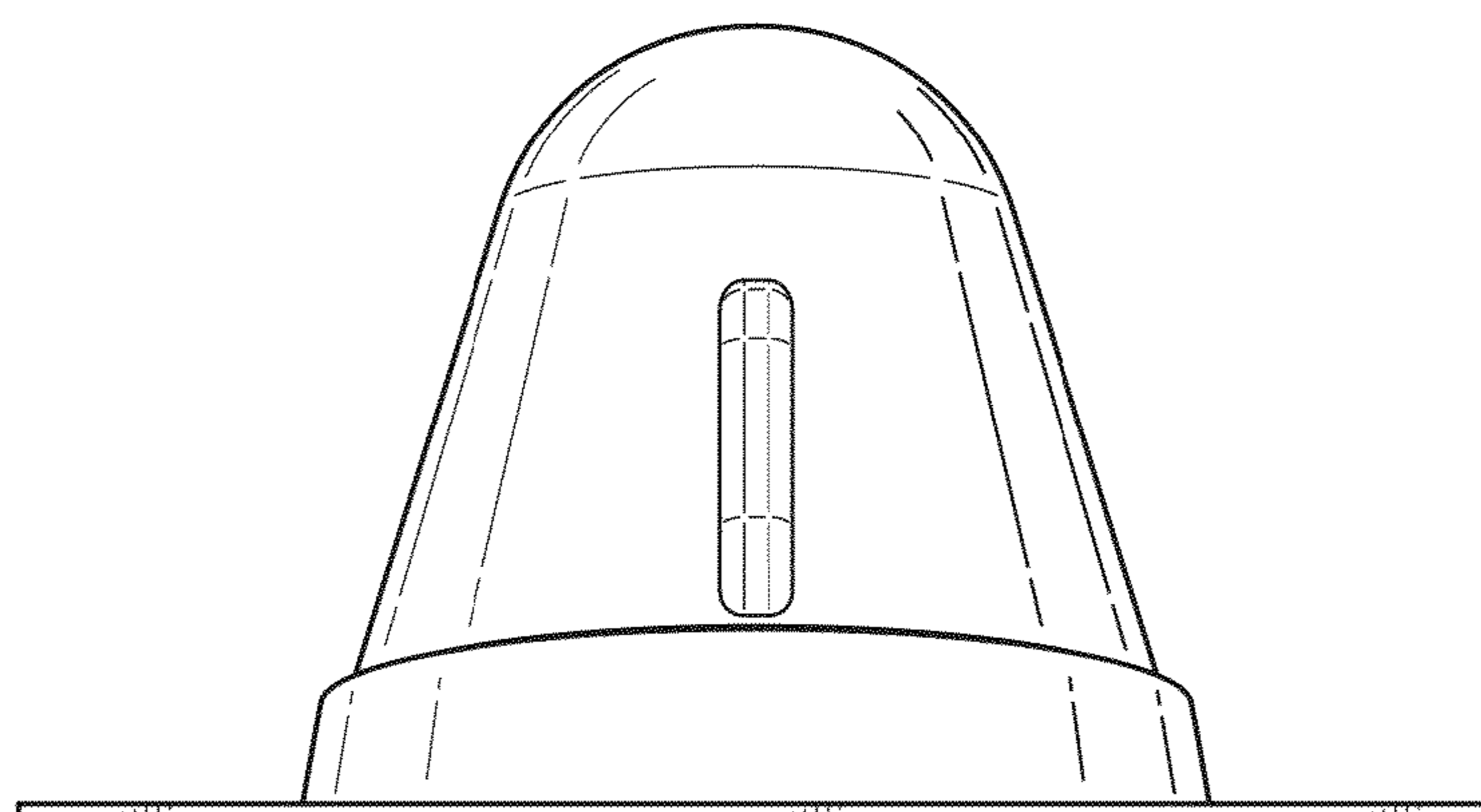


FIG. 15

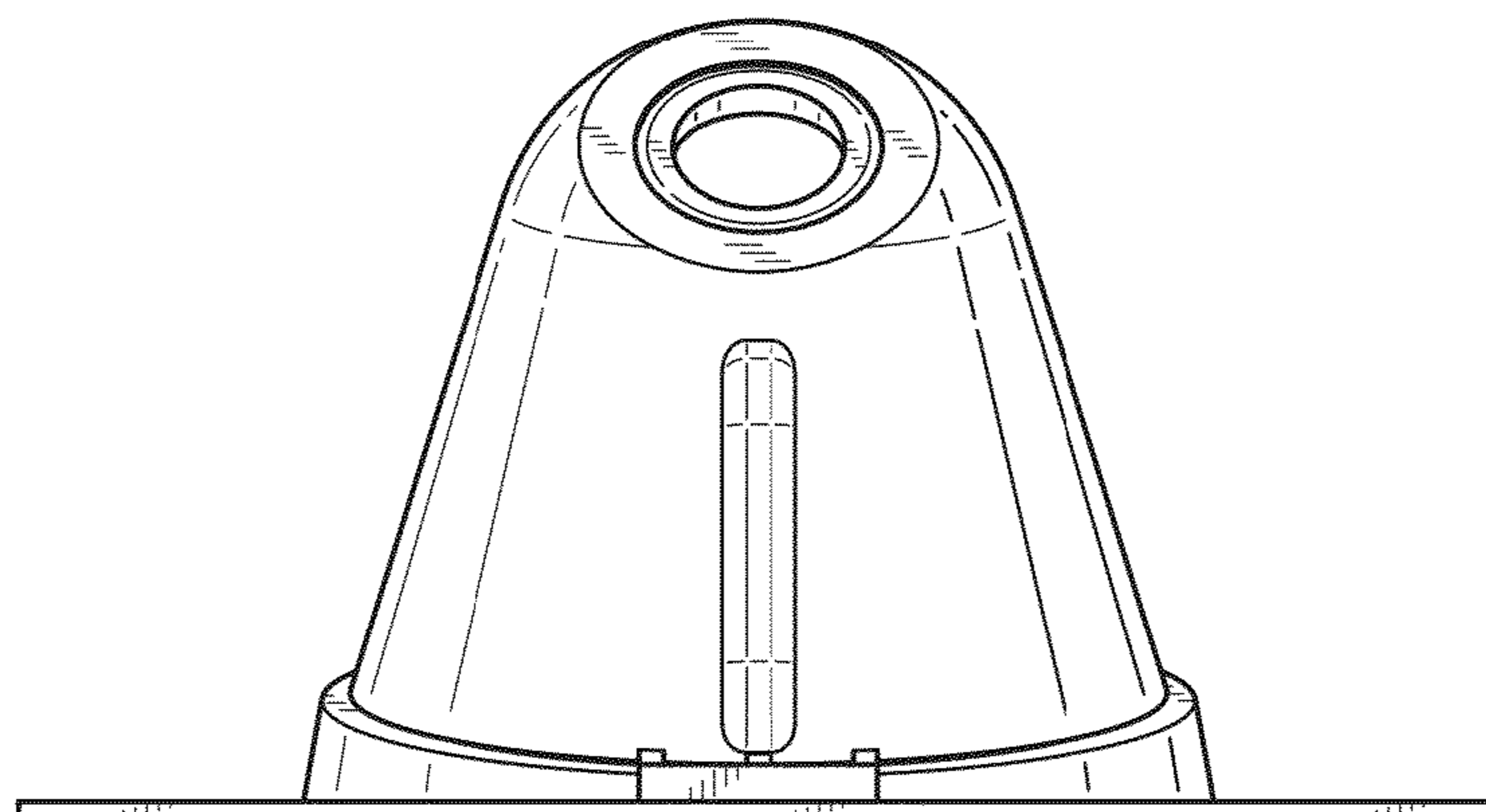


FIG. 16