



US00D738212S

(12) **United States Design Patent**  
**Gerhards et al.**

(10) **Patent No.:** **US D738,212 S**  
(45) **Date of Patent:** **\*\* Sep. 8, 2015**

(54) **CLOSURE**

A23G 3/50; A47J 27/09; F01P 11/0238  
See application file for complete search history.

(71) Applicant: **Henkel AG & Co. KGaA**, Duesseldorf (DE)

(56) **References Cited**

(72) Inventors: **Katja Gerhards**, Duesseldorf (DE);  
**Bodo Warden**, Moenchengladbach (DE)

U.S. PATENT DOCUMENTS

(73) Assignee: **Henkel AG & Co. KGaA**, Duesseldorf (DE)

D314,421 S	2/1991	Tajima et al.	
D337,811 S	7/1993	Valley et al.	
D407,975 S	4/1999	Lund et al.	
D458,845 S	6/2002	Keung	
6,446,882 B1	9/2002	Dukes et al.	
6,502,766 B1	1/2003	Streutker et al.	
D487,223 S	3/2004	Arai et al.	
D551,973 S *	10/2007	Hildebrand	D9/448
D567,082 S *	4/2008	Hildebrand	D9/448
D569,726 S	5/2008	Hildebrand	
D587,576 S	3/2009	Miller et al.	
D628,900 S	12/2010	Barnett et al.	
D664,431 S	7/2012	Wang	
D674,706 S	1/2013	Birdwell et al.	
D700,052 S	2/2014	Sweeton	

(\*\*) Term: **14 Years**

(21) Appl. No.: **29/518,029**

(22) Filed: **Feb. 19, 2015**

**Related U.S. Application Data**

(62) Division of application No. 29/462,522, filed on Aug. 5, 2013, now Pat. No. Des. 726,536.

(30) **Foreign Application Priority Data**

Feb. 6, 2013 (EM) ..... 002179267

(51) **LOC (10) Cl.** ..... **09-07**

(52) **U.S. Cl.**  
USPC ..... **D9/448; D9/450**

(58) **Field of Classification Search**  
USPC ..... D7/396.2, 507, 509, 510, 511;  
D9/434-455, 524, 682, 685, 694;  
215/200, 235, 236, 252, 254, 329,  
215/355-364; 220/203.04-203.07, 220,  
220/254.1, 254.4, 556, 703, 704, 705;  
D6/542-545; D23/226  
CPC ..... A47G 19/26; A47G 19/2266; A47G  
19/2211; B65D 47/0814; B65D 41/3428;  
B65D 41/42; B65D 41/0428; B65D 39/00;  
B65D 39/08; B65D 39/12; B65D 39/02;  
B65D 39/16; B65D 88/34; B65D 2543/00092;  
B65D 17/166; B65D 1/36; B65D 77/283;

\* cited by examiner

*Primary Examiner* — Robert M Spear

*Assistant Examiner* — Marissa J Cash

(74) *Attorney, Agent, or Firm* — Thomas G. Krivulka

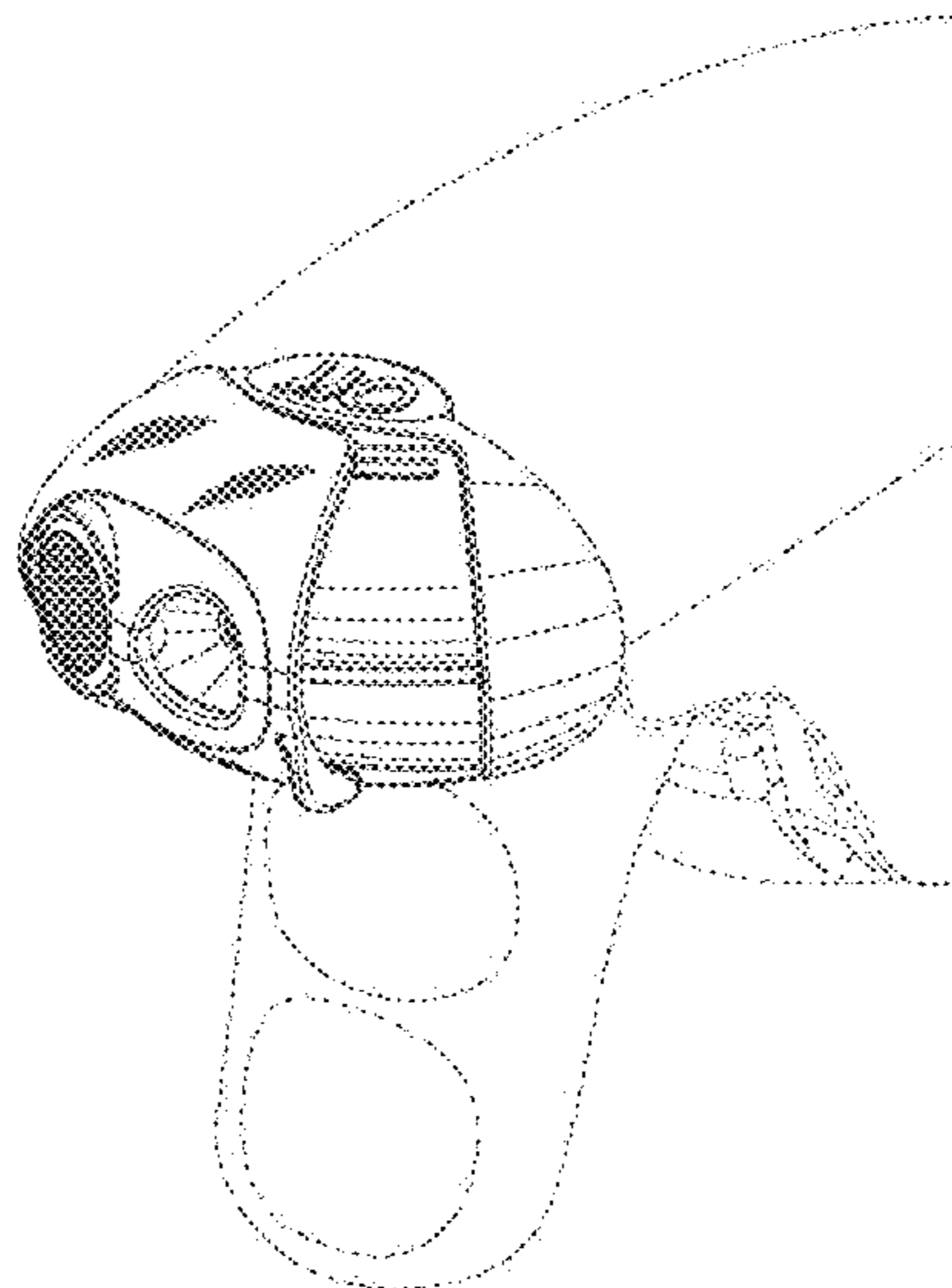
(57) **CLAIM**

The ornamental design for a closure, as shown and described.

**DESCRIPTION**

FIG. 1 is a front perspective view of a closure embodying our new design;  
FIG. 2 is a front side elevation view thereof;  
FIG. 3 is a right side elevation view thereof;  
FIG. 4 is a left side elevation view thereof;  
FIG. 5 is a bottom plan view thereof; and,  
FIG. 6 is a top plan view thereof.  
In the drawings, the broken lines depict a trigger sprayer that forms no part of the claim.

**1 Claim, 6 Drawing Sheets**



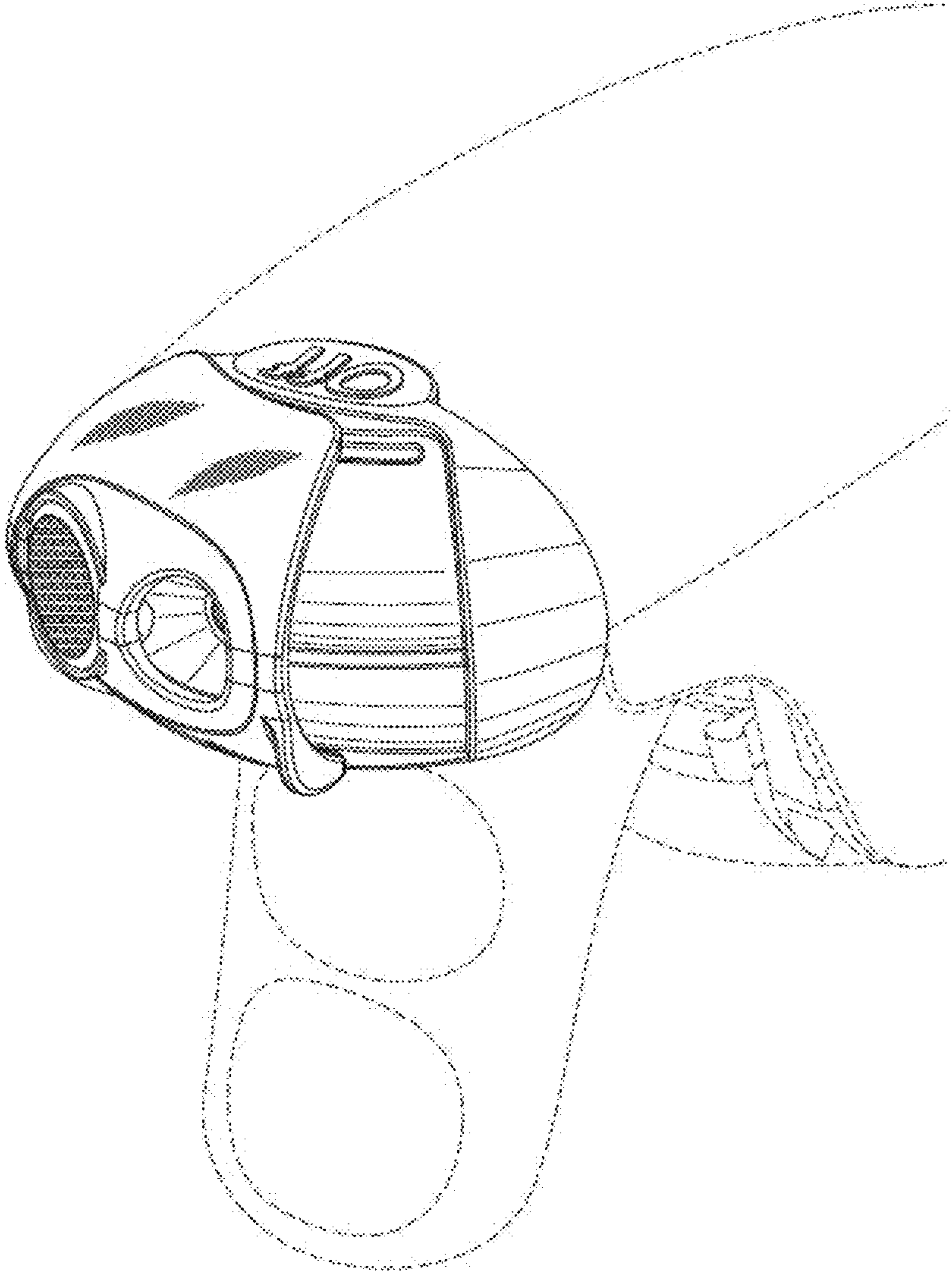


FIG. 1

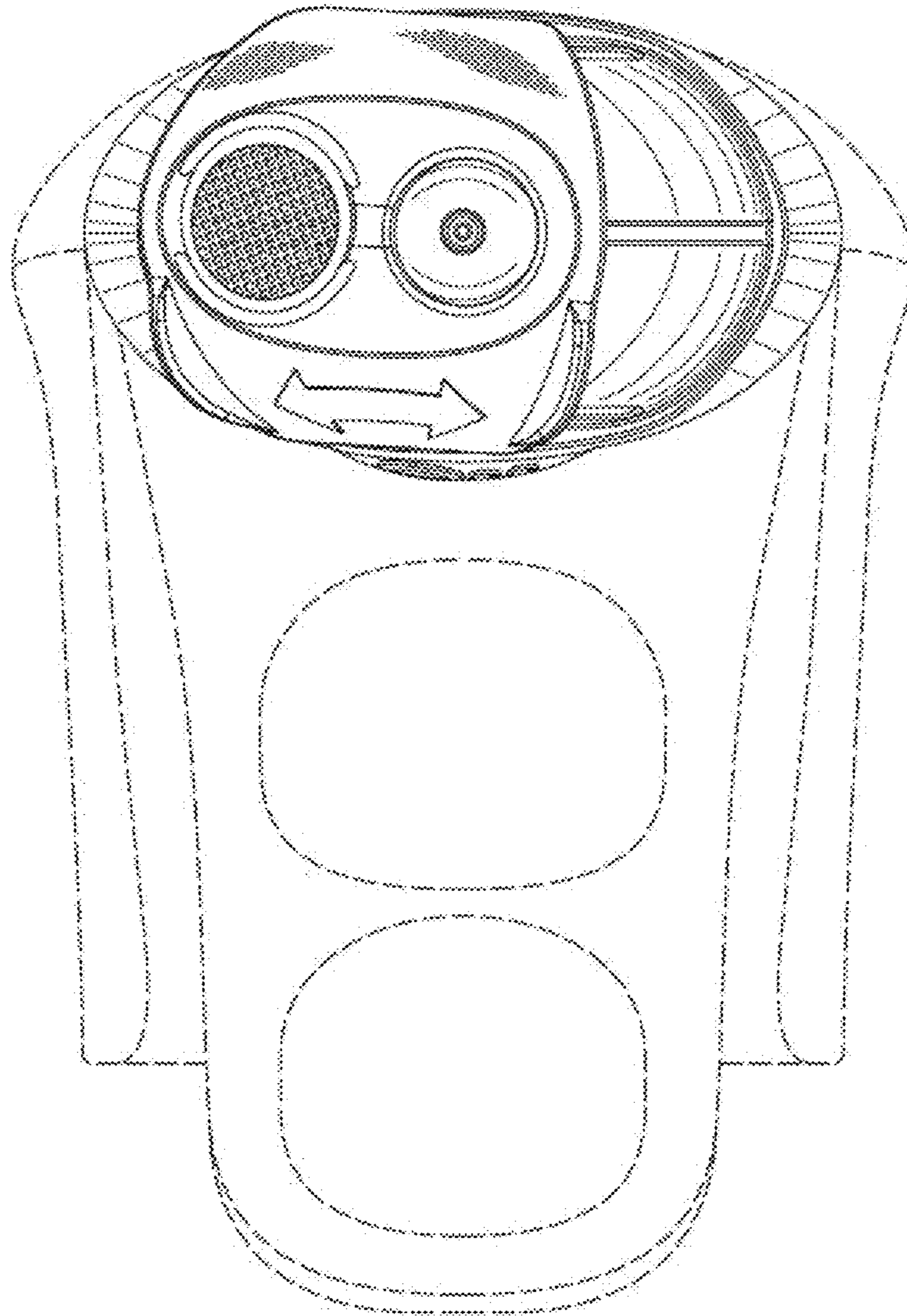


FIG. 2

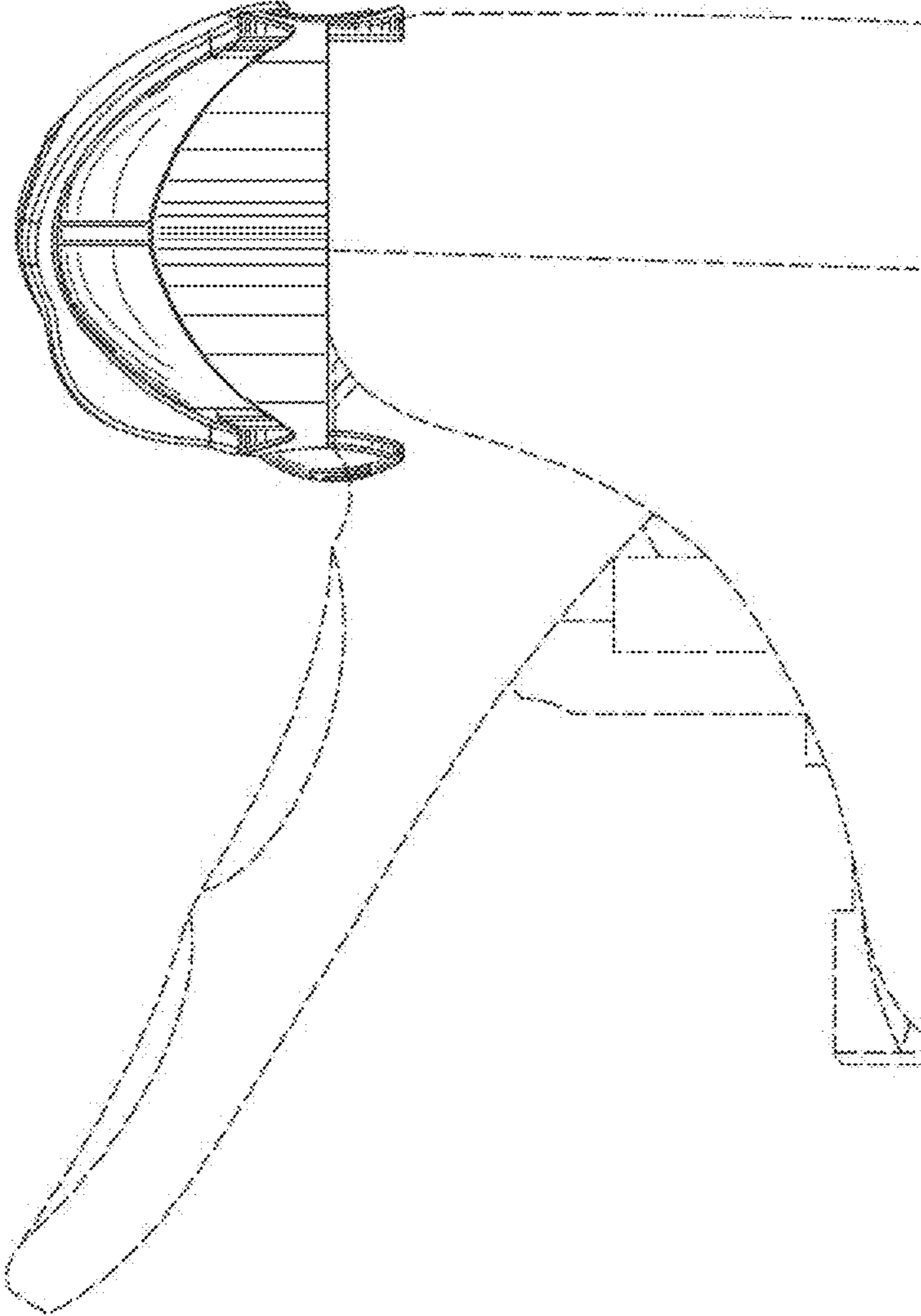


FIG. 3



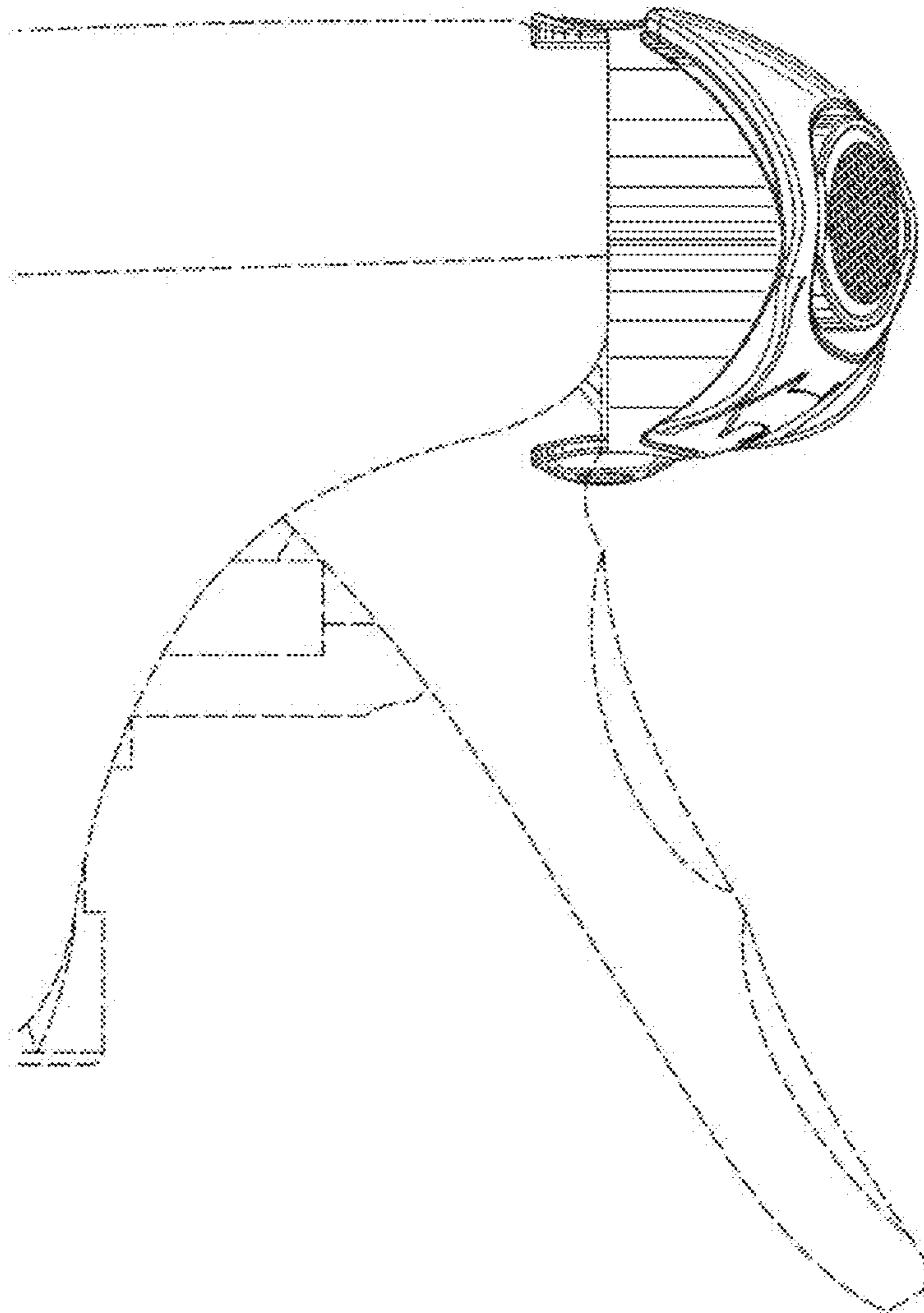


FIG. 4

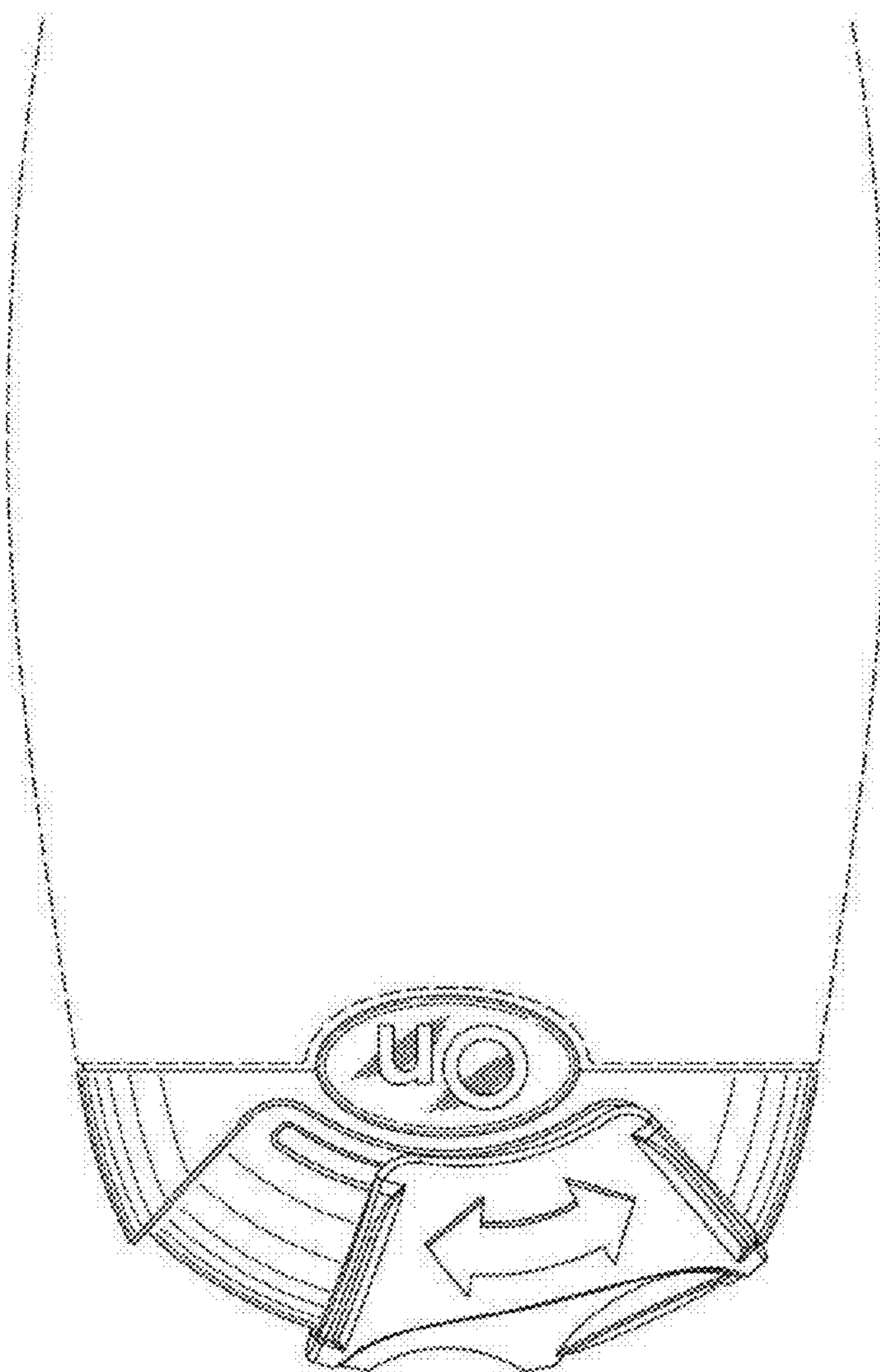


FIG. 5

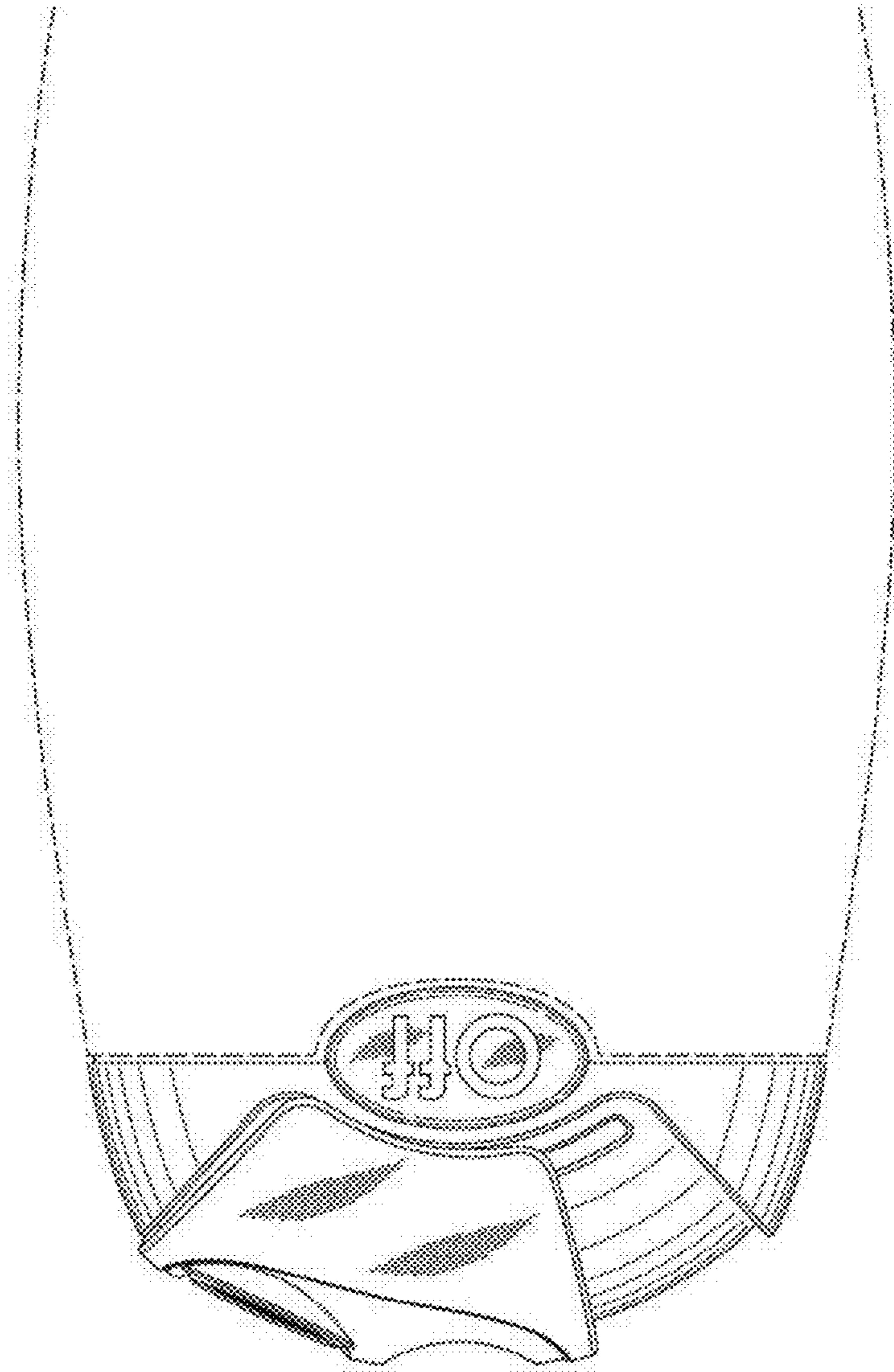


FIG. 6