



US00D738211S

(12) **United States Design Patent**
Sanders

(10) **Patent No.:** **US D738,211 S**

(45) **Date of Patent:** **** Sep. 8, 2015**

(54) **DISPENSING CUP**

(75) Inventor: **Michael David Sanders**, Cincinnati, OH (US)

(73) Assignee: **The Procter & Gamble Company**, Cincinnati, OH (US)

(**) Term: **14 Years**

(21) Appl. No.: **29/419,394**

(22) Filed: **Apr. 27, 2012**

(51) **LOC (10) Cl.** **09-07**

(52) **U.S. Cl.**
USPC **D9/445**

(58) **Field of Classification Search**
USPC D9/434-436, 440, 445, 447, 449, 450,
D9/452-454; D7/392.1, 397, 398; 134/6;
15/28, 29
CPC A45B 9/028
See application file for complete search history.

(56) **References Cited**

U.S. PATENT DOCUMENTS

3,032,803	A *	5/1962	Walshauser	401/190
5,975,368	A *	11/1999	Wood	222/151
D510,863	S *	10/2005	Juhng et al.	D9/436
7,878,727	B2 *	2/2011	Koptis	401/126
D642,080	S *	7/2011	Schmitt	D10/46.2
D654,792	S *	2/2012	Bertelsen	D9/436
D660,694	S *	5/2012	Mongeon et al.	D9/445
D689,364	S *	9/2013	Sanders	D9/436
D692,775	S *	11/2013	Burgeson	D9/448

2004/0084063	A1 *	5/2004	Vago et al.	134/6
2005/0066996	A1 *	3/2005	France et al.	134/6
2009/0094768	A1 *	4/2009	Hohlbein et al.	15/110
2011/0311296	A1 *	12/2011	Chawla et al.	401/137

* cited by examiner

Primary Examiner — Susan Bennett Hattan

Assistant Examiner — Brett Miller

(74) *Attorney, Agent, or Firm* — Gary J. Foose

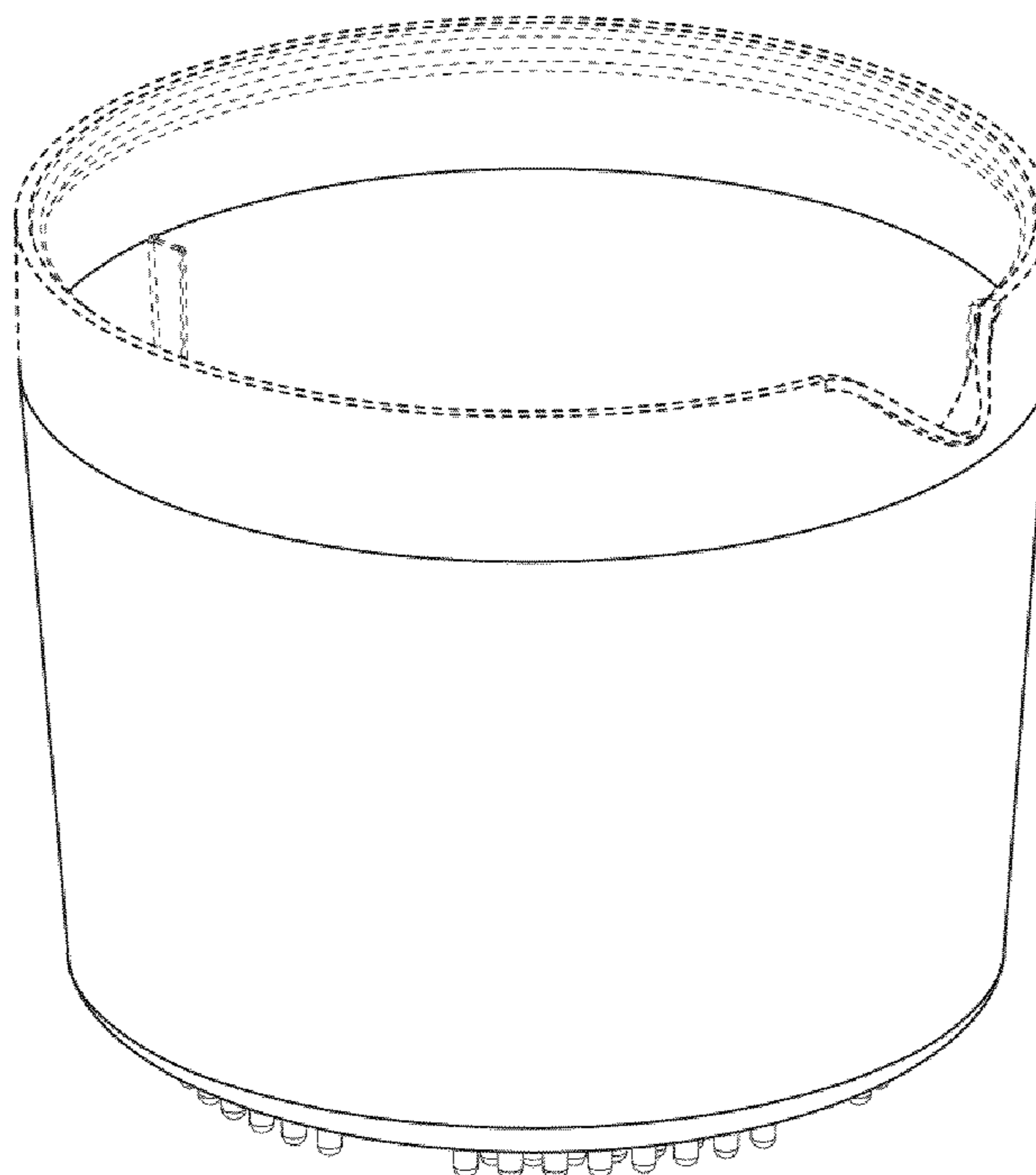
(57) **CLAIM**

The ornamental design for a dispensing cup, as shown and described.

DESCRIPTION

FIG. 1 is a perspective view of an embodiment of a dispensing cup;
FIG. 2 is an alternative perspective view of the dispensing cup of FIG. 1;
FIG. 3 is a side view of the dispensing cup of FIG. 1;
FIG. 4 is a rear view of the dispensing cup of FIG. 1;
FIG. 5 is a side view of the dispensing cup of FIG. 1, opposite the side view shown in FIG. 3;
FIG. 6 is a front view of the dispensing cup of FIG. 1;
FIG. 7 is a top view of the dispensing cup of FIG. 1; and,
FIG. 8 is a bottom view of the dispensing cup of FIG. 1.
The broken lines shown in the drawings are for illustrative purposes only and form no part of the claimed design.

1 Claim, 3 Drawing Sheets



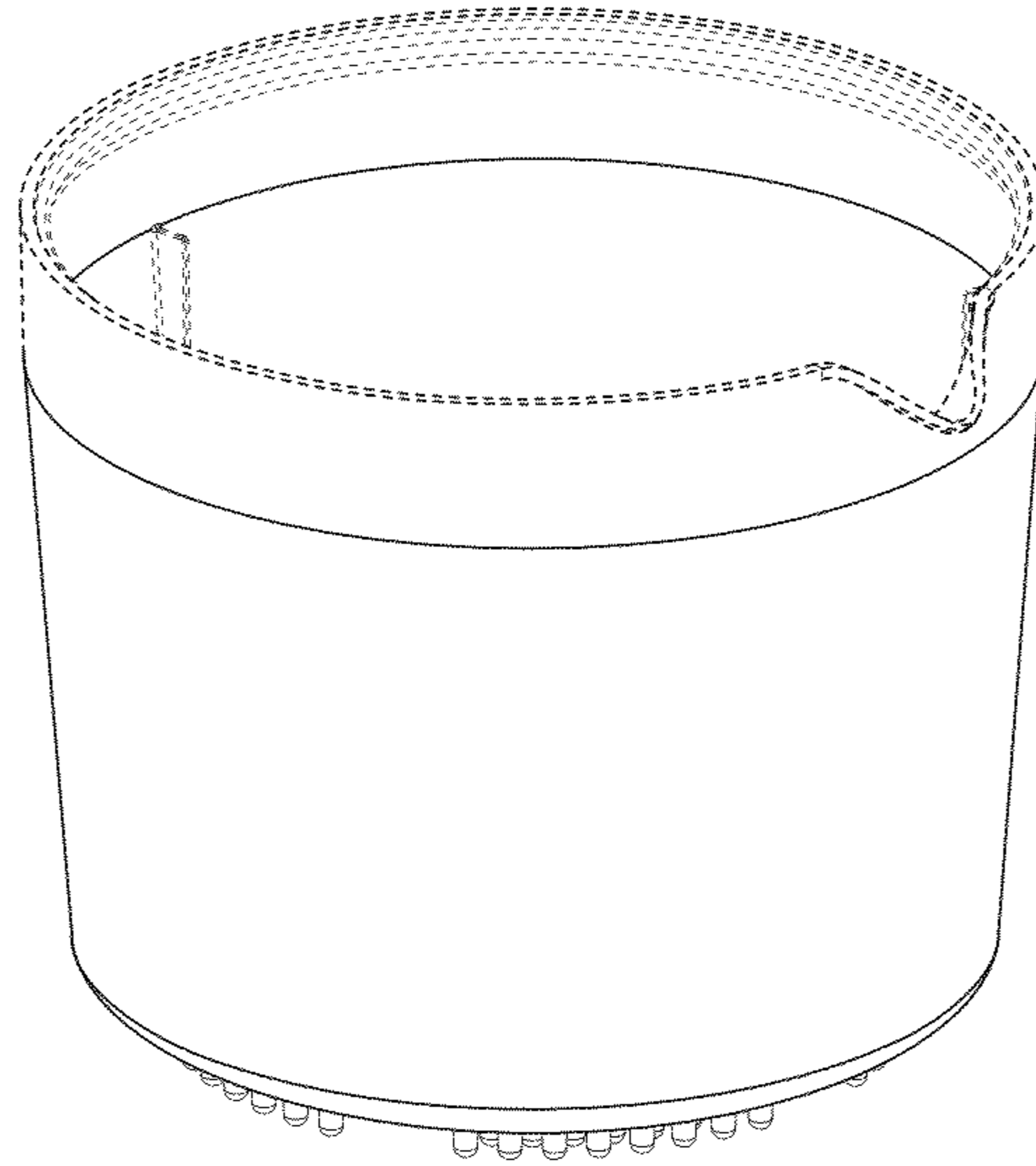


Fig. 1

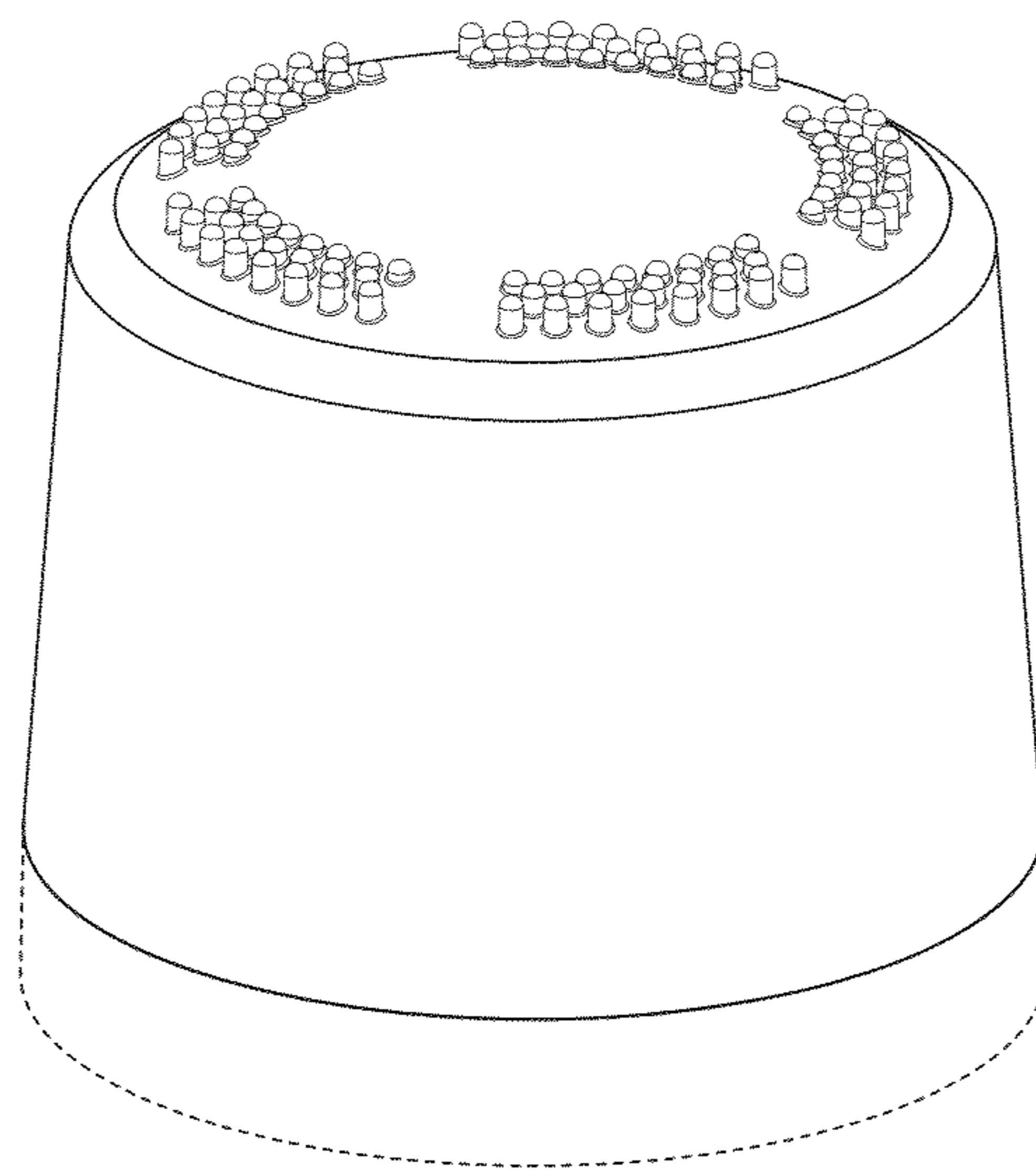


Fig. 2

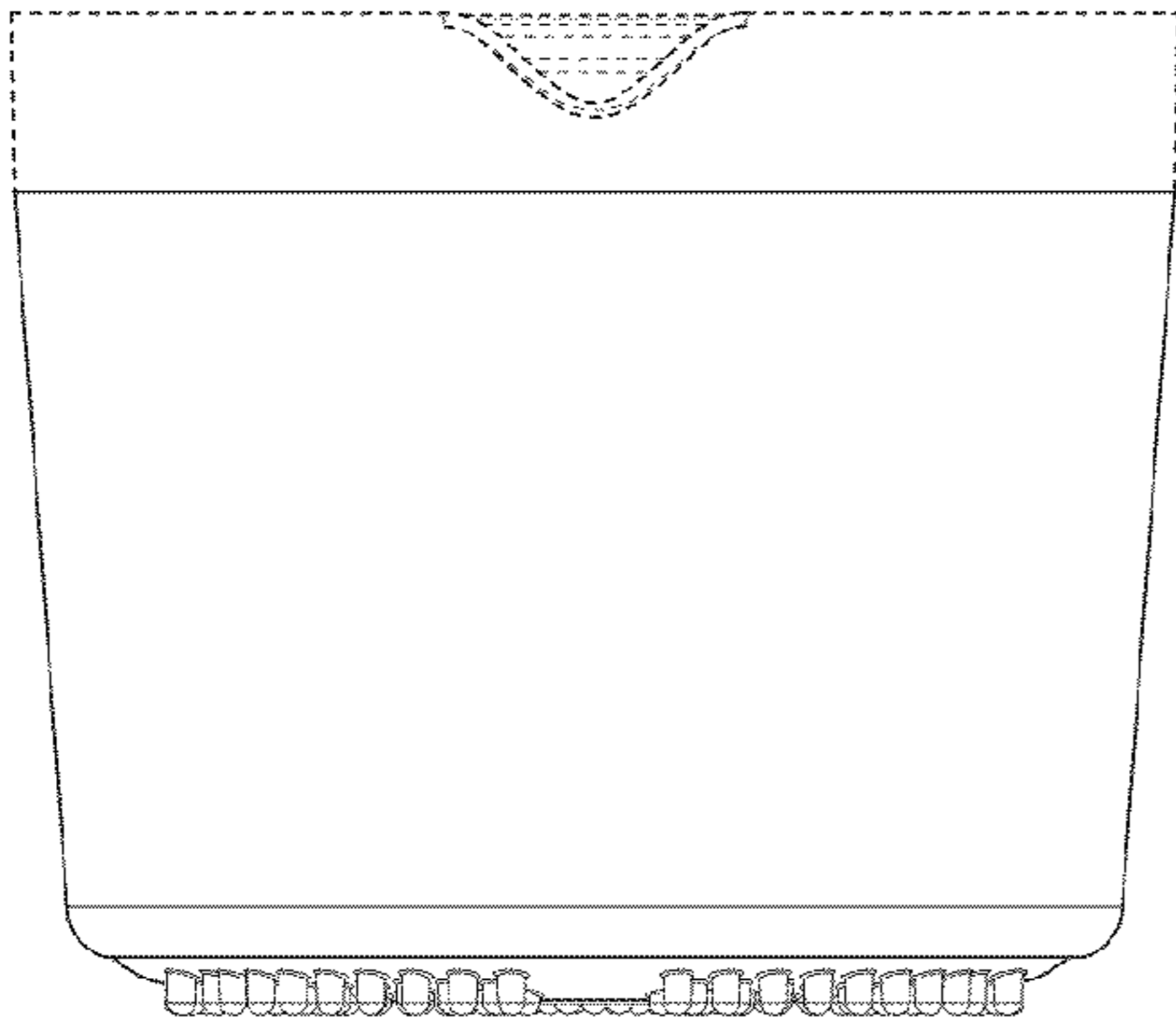


Fig. 3

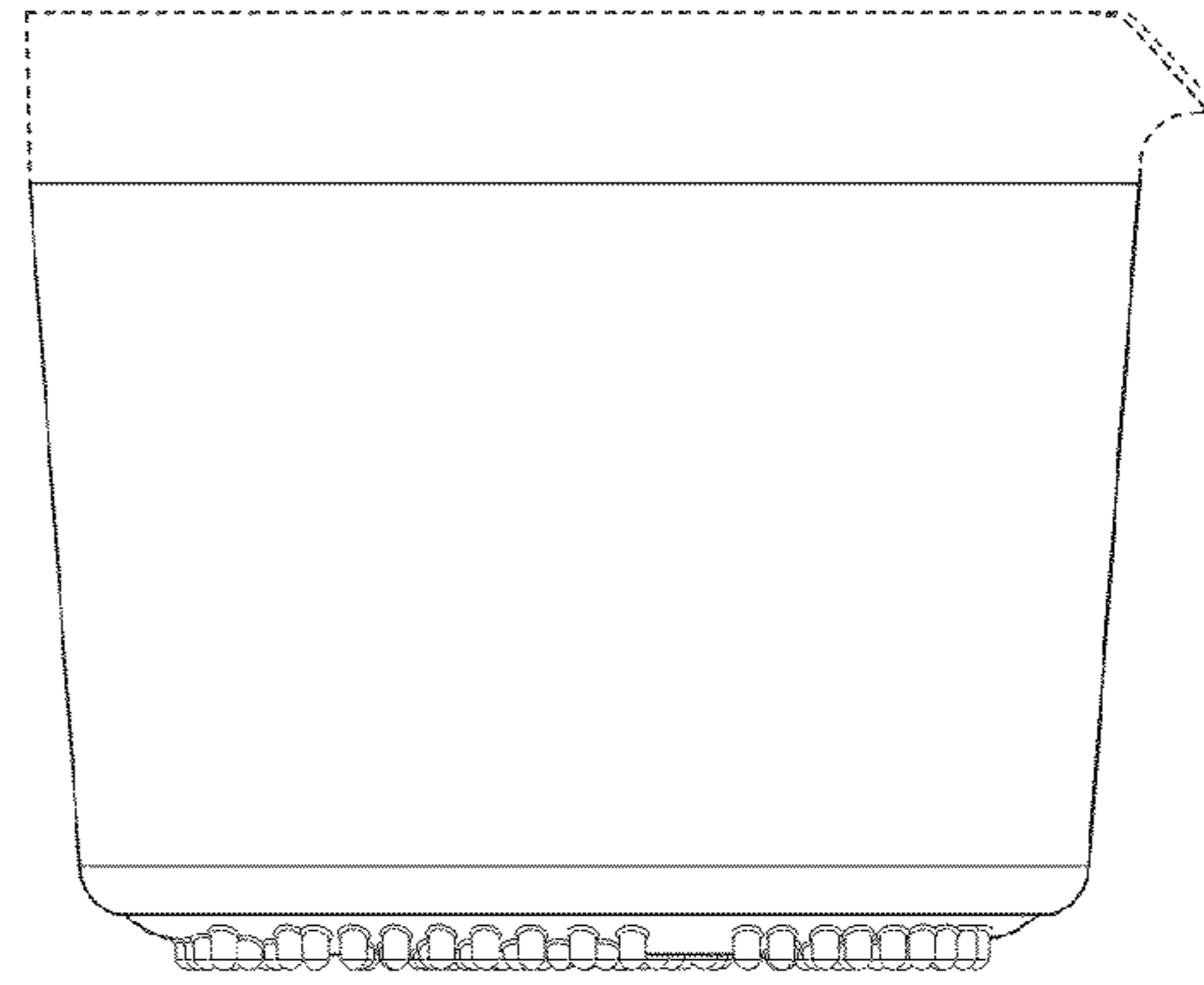


Fig. 4

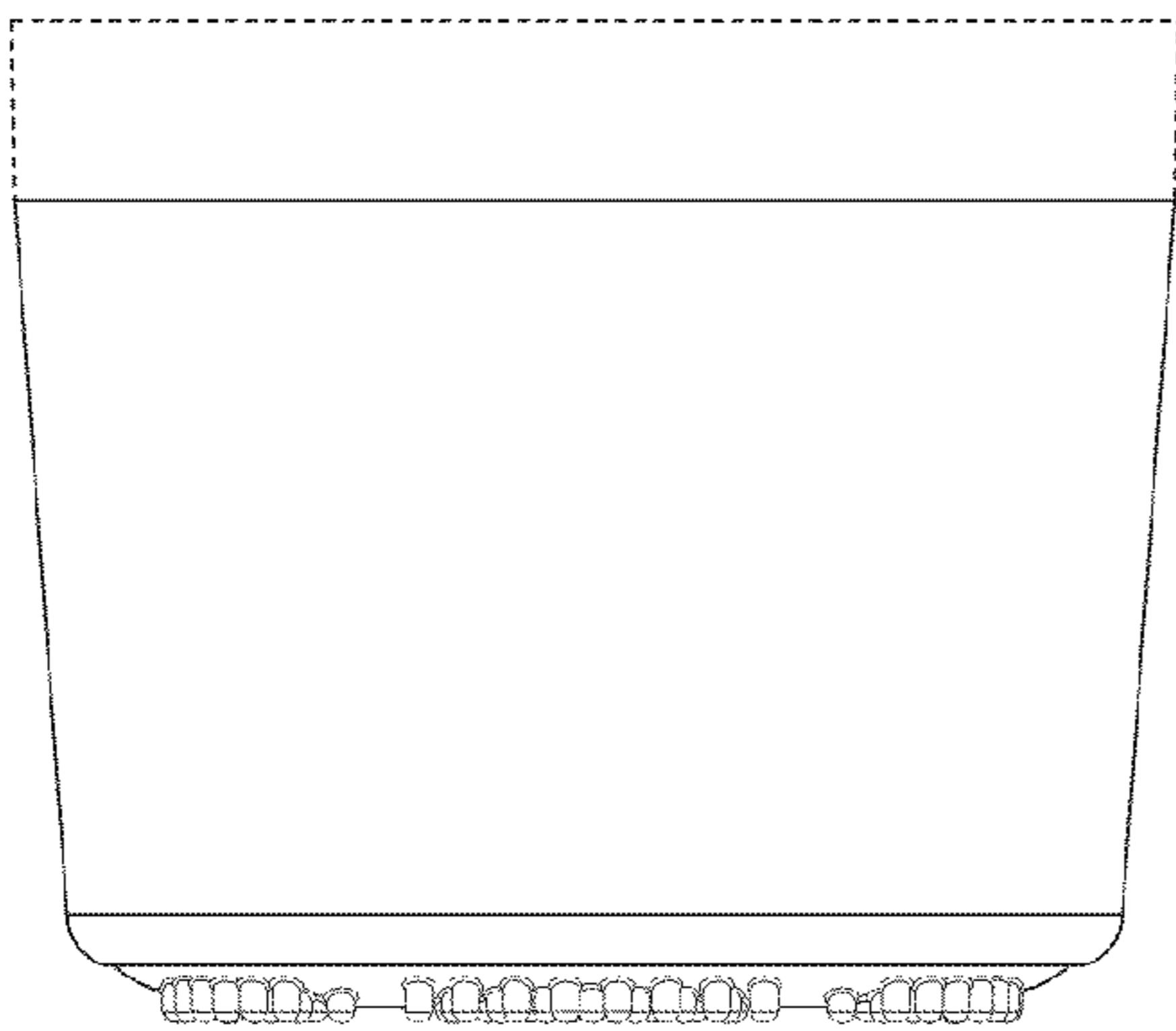


Fig. 5

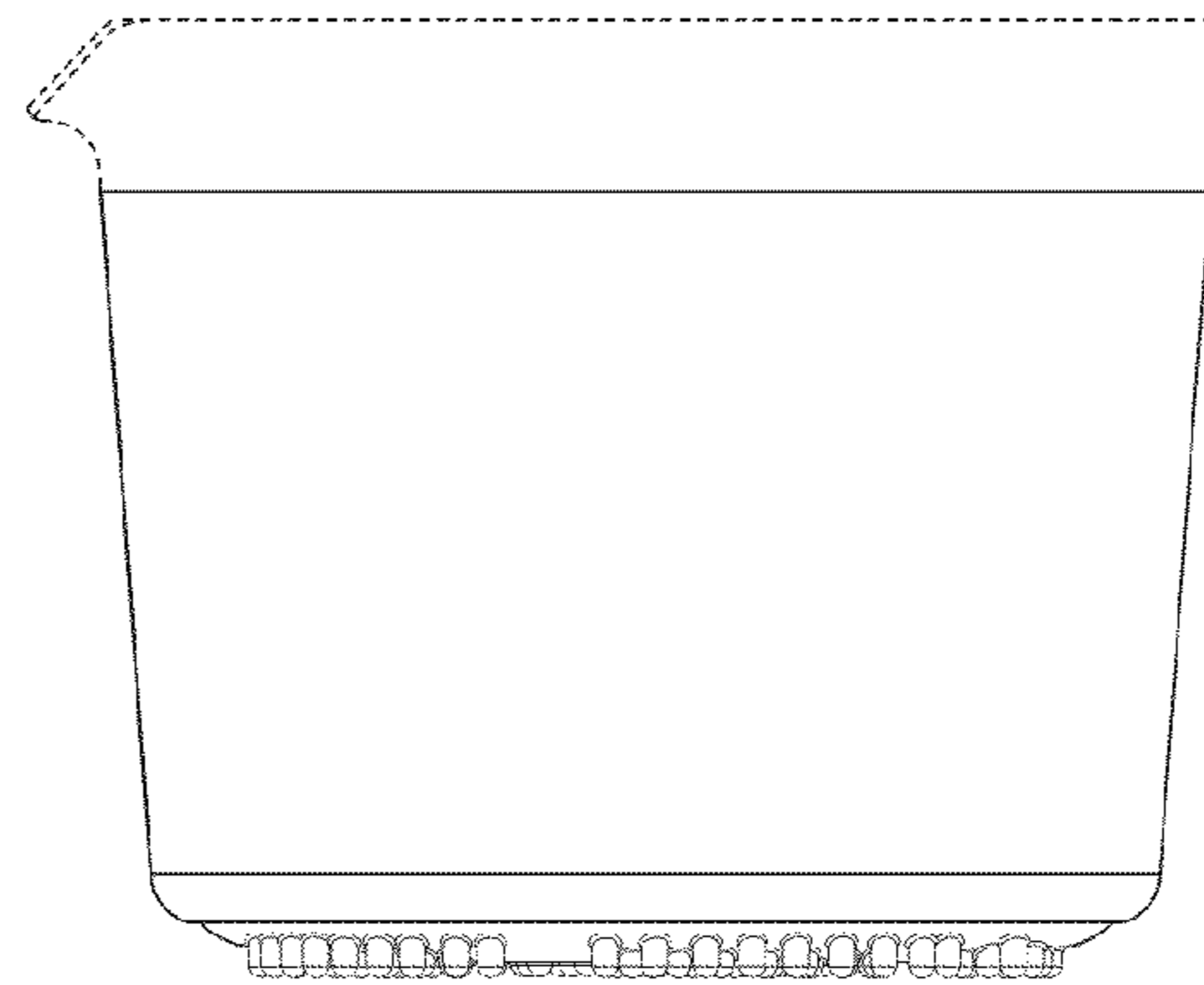


Fig. 6

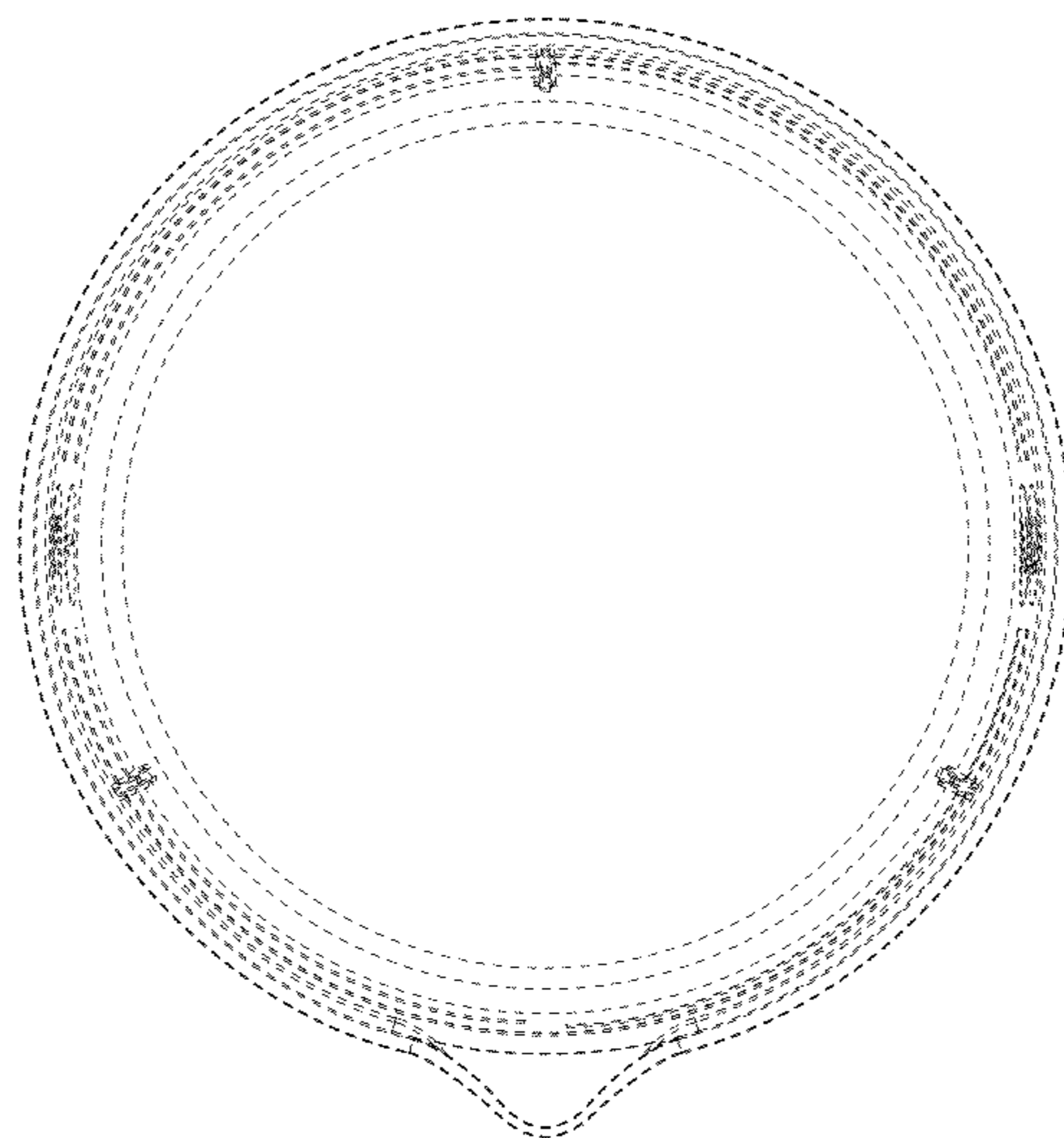


Fig. 7

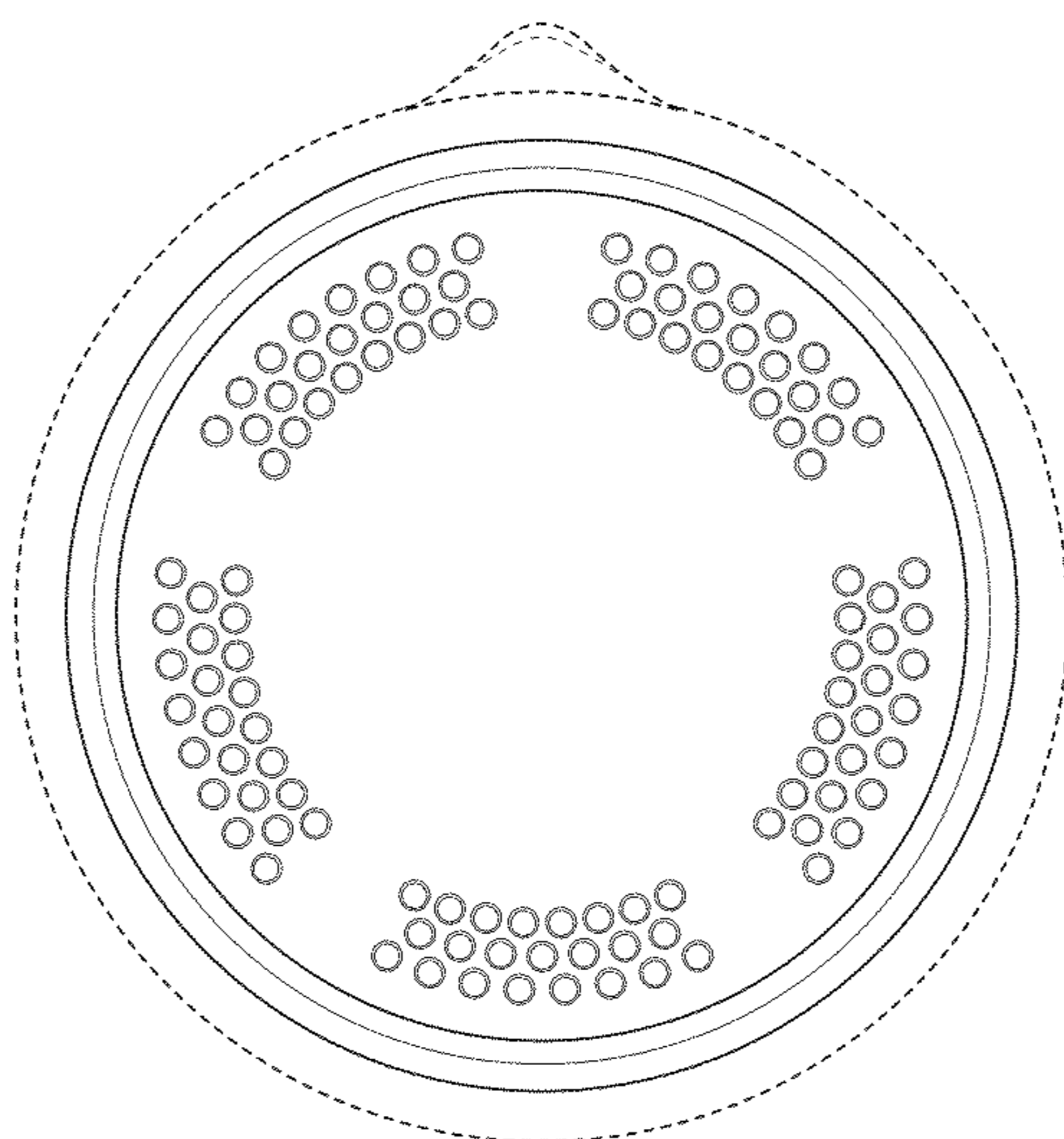


Fig. 8