



US00D738210S

(12) **United States Design Patent**
Tanner

(10) **Patent No.:** **US D738,210 S**
(45) **Date of Patent:** **** Sep. 8, 2015**

- (54) **SEPTUM WITH CROSS SLOT**
- (71) Applicant: **TPP Techno Plastic Products AG**,
Trasadingen (CH)
- (72) Inventor: **Rolf Tanner**, Lohningen (CH)
- (73) Assignee: **TPP Techno Plastic Products AG**,
Trasadingen (CH)
- (**) Term: **14 Years**
- (21) Appl. No.: **29/475,458**
- (22) Filed: **Dec. 3, 2013**
- (51) **LOC (10) Cl.** **09-07**
- (52) **U.S. Cl.**
USPC **D9/440**
- (58) **Field of Classification Search**
USPC D9/434, 435, 438, 440, 444, 453, 454,
D9/455, 499; D7/396.2; 215/247; 604/88
CPC B65D 51/002
See application file for complete search history.

D363,429 S *	10/1995	Lee	D9/454
D397,938 S *	9/1998	Graham et al.	D9/454
6,230,940 B1 *	5/2001	Manning et al.	222/185.1
6,530,504 B2 *	3/2003	Socier	222/494
D474,689 S *	5/2003	Dinsky	D9/440
D563,220 S *	3/2008	Krivoshein	D9/454
D567,085 S *	4/2008	Rim et al.	D9/454
D682,097 S *	5/2013	Chiorazzi et al.	D9/439
D686,496 S *	7/2013	Strauli	D9/439
D715,143 S *	10/2014	Hewitt et al.	D9/436

* cited by examiner

Primary Examiner — Robert M Spear
(74) *Attorney, Agent, or Firm* — Banner & Witcoff, Ltd.

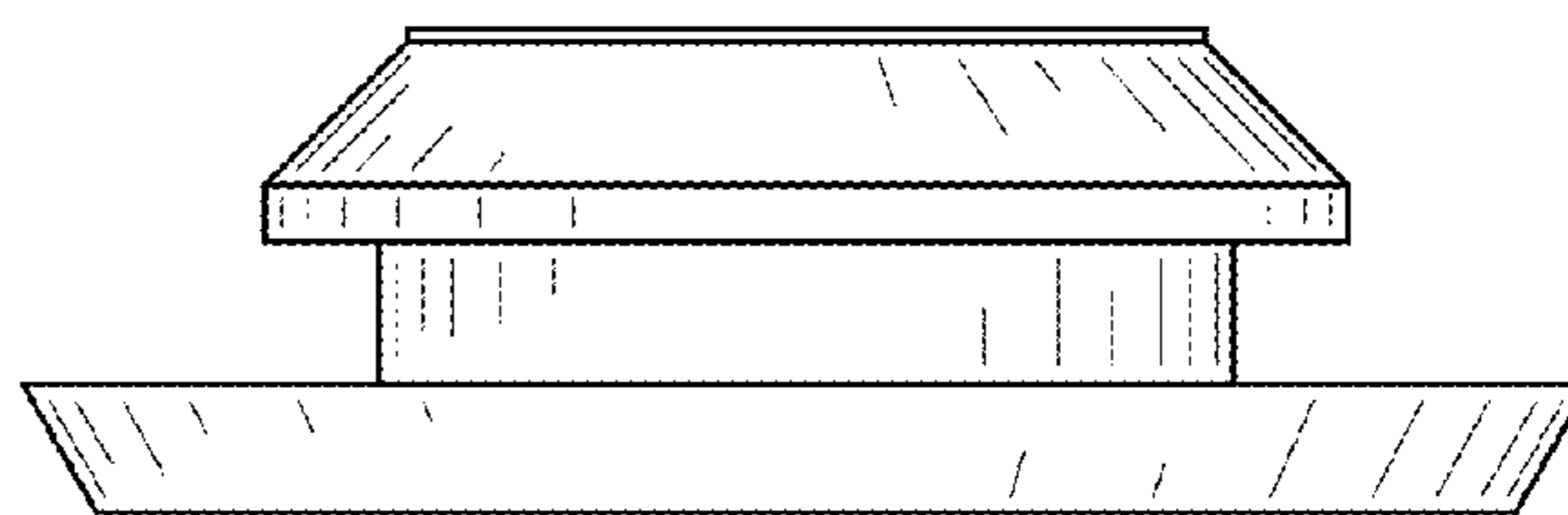
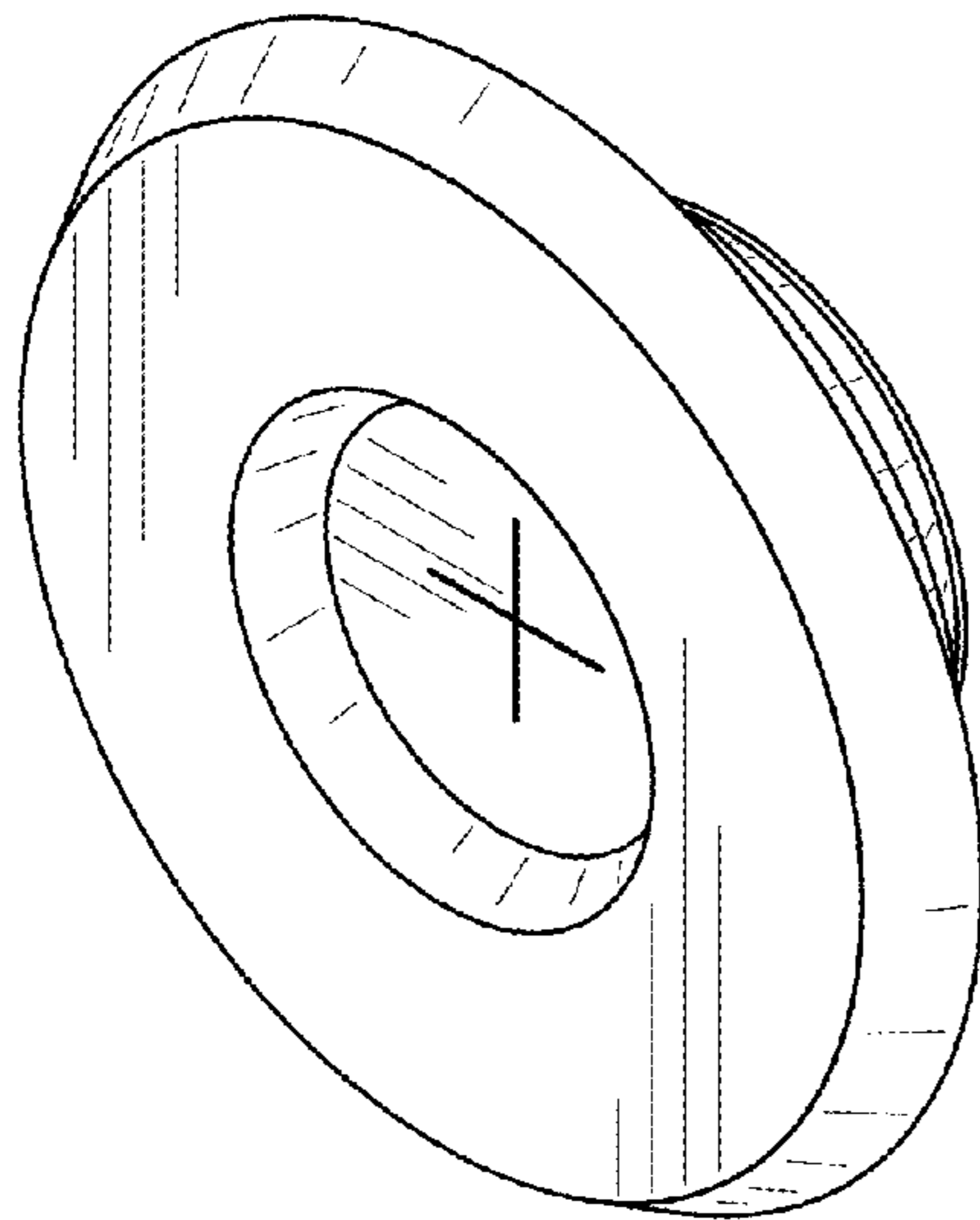
(57) **CLAIM**
The ornamental design for a septum with cross slot, as shown and described.

DESCRIPTION

FIG. 1 is a front perspective view of a septum with cross slot showing my new design;
FIG. 2 is a top view thereof, the bottom, left and right side views being identical thereto;
FIG. 3 is a rear view thereof;
FIG. 4 is a front view thereof; and,
FIG. 5 is a rear perspective view thereof.

1 Claim, 2 Drawing Sheets

- (56) **References Cited**
U.S. PATENT DOCUMENTS
D341,779 S * 11/1993 Lewis D9/435
D349,648 S * 8/1994 Tirrell et al. D9/439



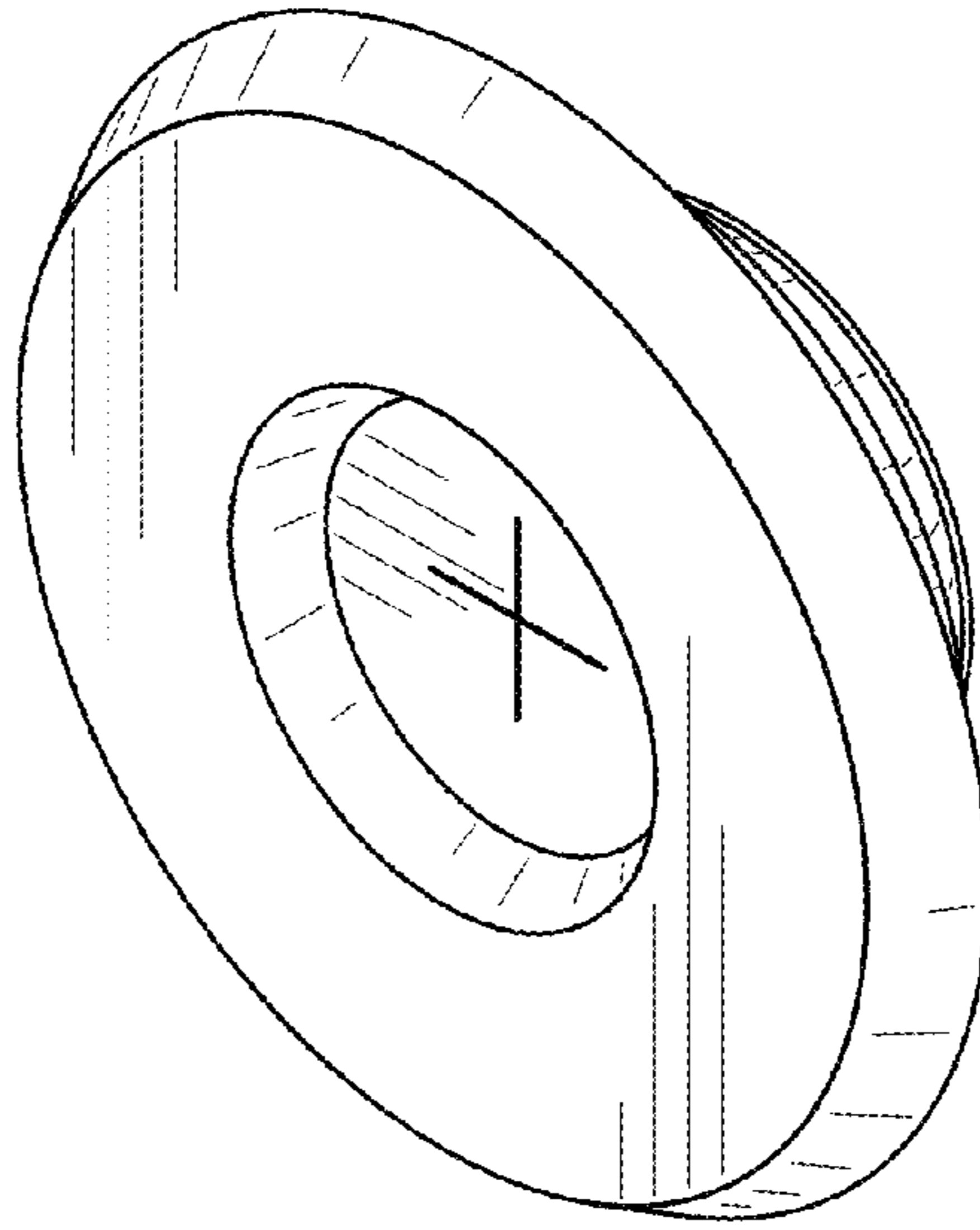


FIG. 1

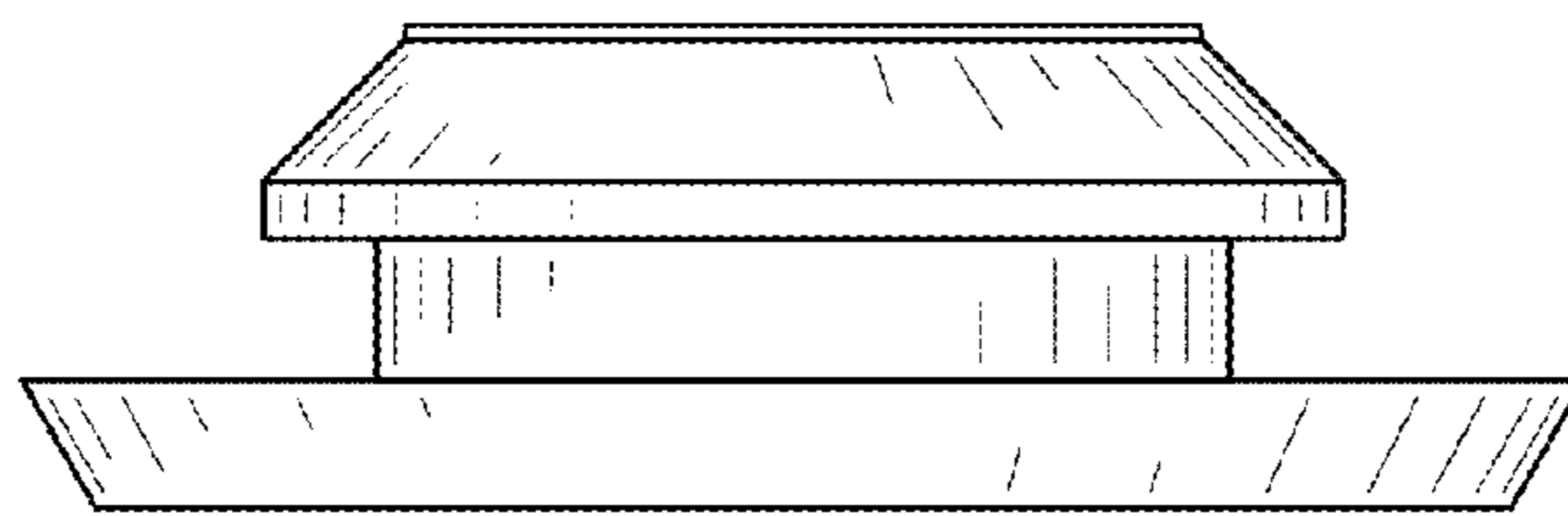


FIG. 2

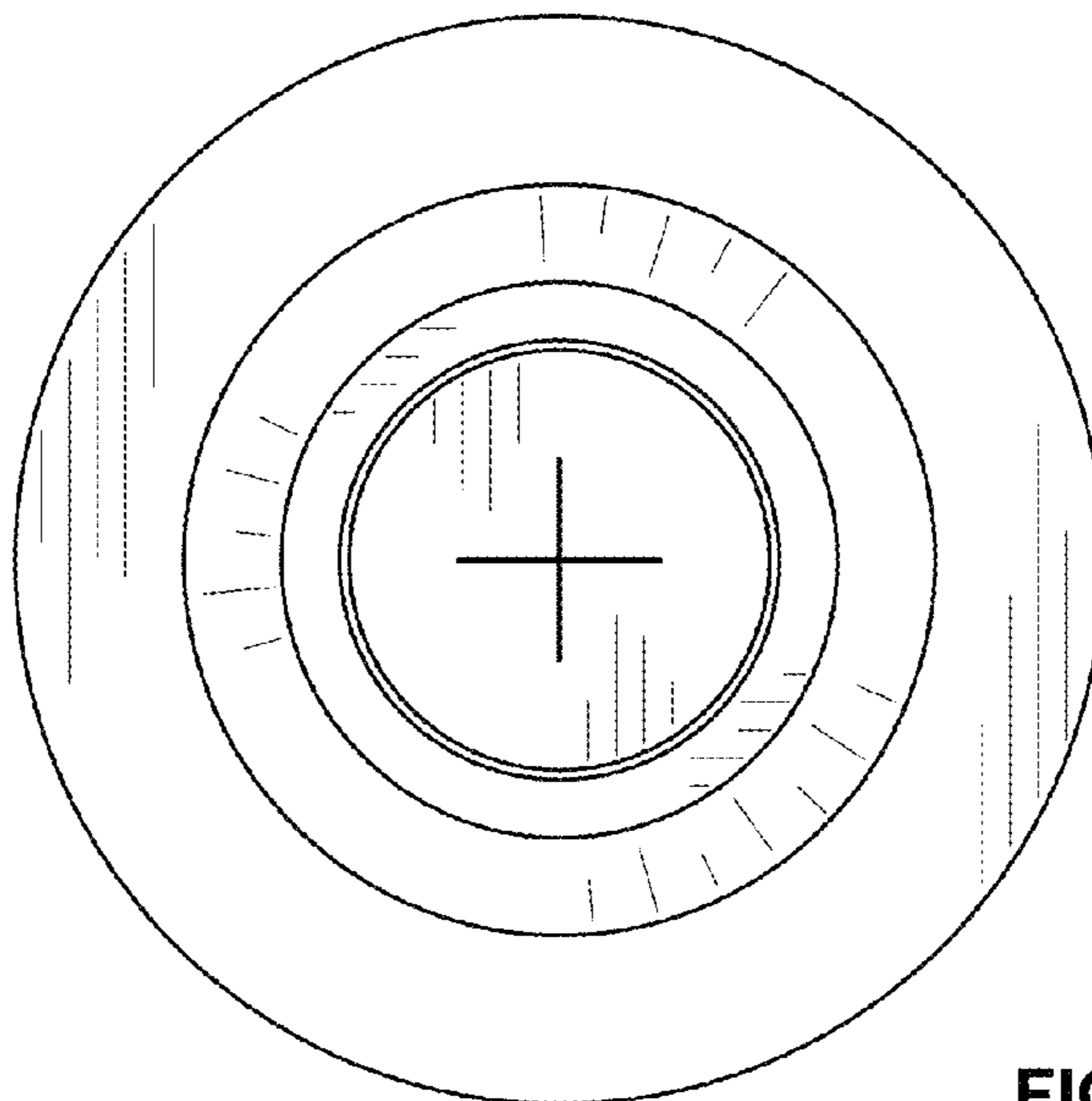


FIG. 3

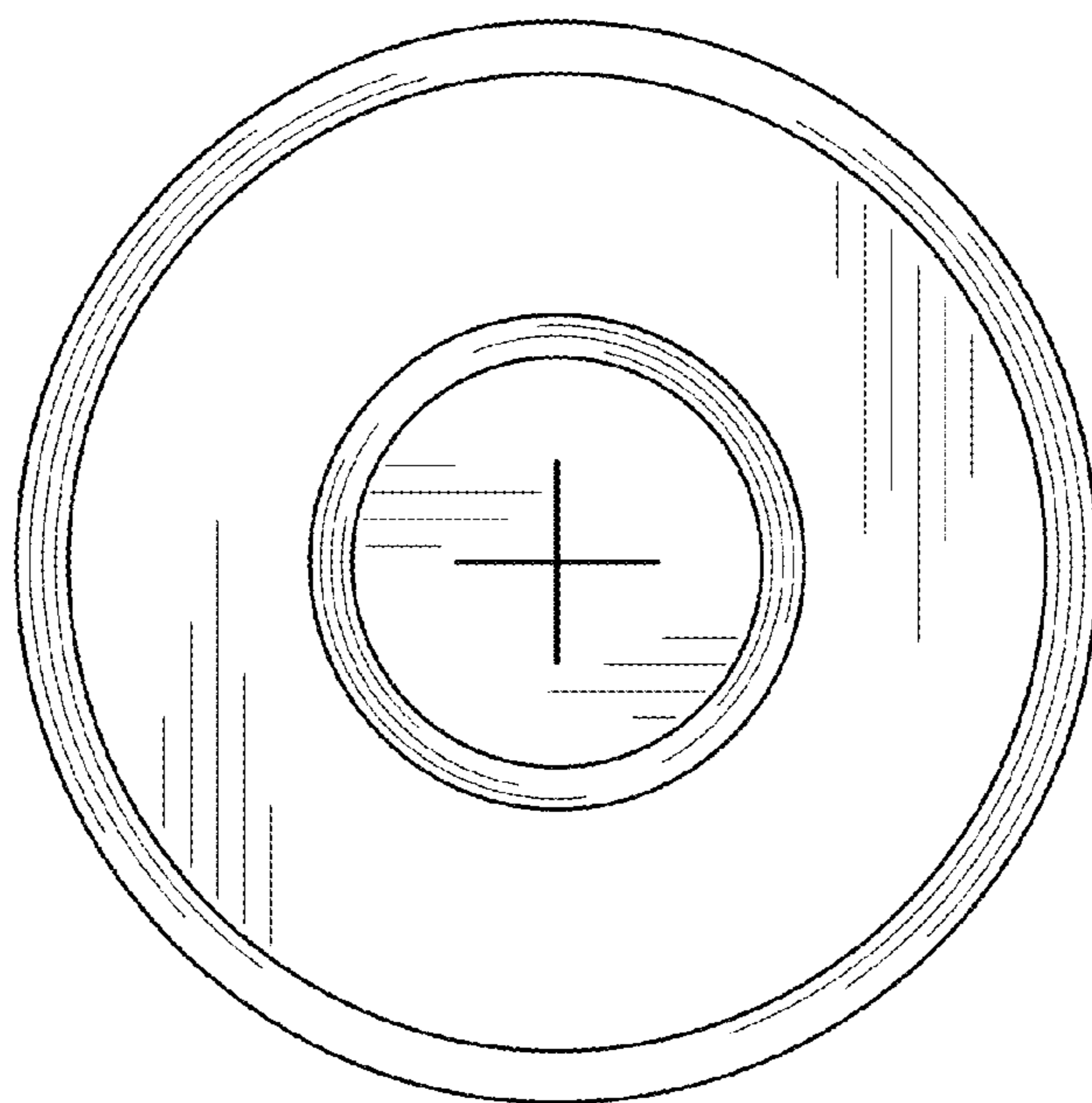


FIG. 4

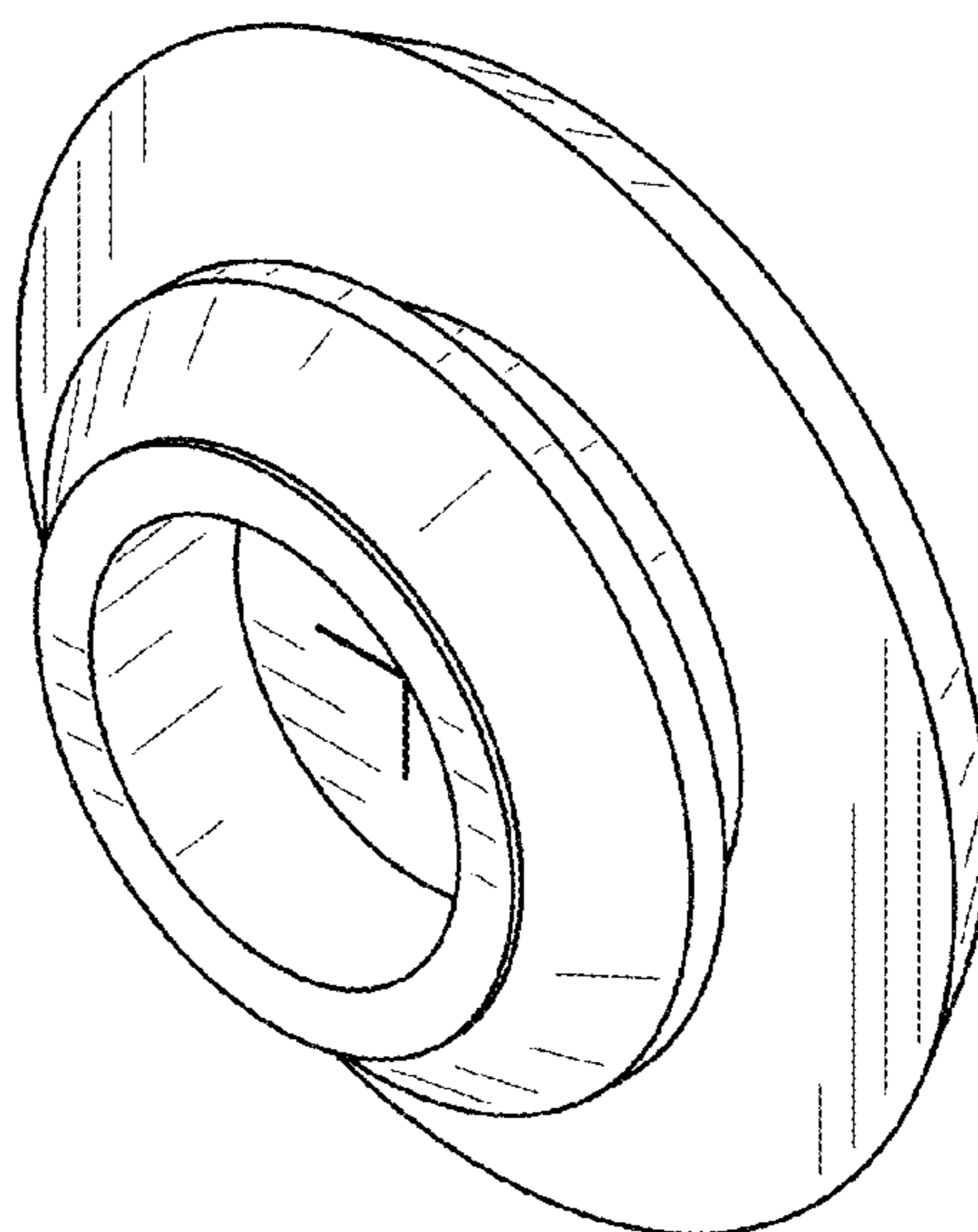


FIG. 5