



US00D738209S

(12) **United States Design Patent**  
**Cetti**

(10) **Patent No.:** **US D738,209 S**  
(45) **Date of Patent:** **\*\* Sep. 8, 2015**

(54) **LID FOR A CONTAINER**

(71) Applicant: **RPC SUPERFOS A/S**, Taastrup (DK)

(72) Inventor: **Dorte Cetti**, Frederiksberg (DK)

(73) Assignee: **RPC Superfos A/S**, Taastrup (DK)

(\*\*) Term: **14 Years**

(21) Appl. No.: **29/494,235**

(22) Filed: **Jun. 18, 2014**

(30) **Foreign Application Priority Data**

Dec. 18, 2013 (EM) ..... 002372870

(51) **LOC (10) CL.** ..... **09-07**

(52) **U.S. CL.**  
USPC ..... **D9/436**

(58) **Field of Classification Search**

USPC ..... D3/294, 302, 318; D6/512, 515-523;  
D7/601, 602, 629, 653; D9/434-436,  
D9/443, 449, 454, 456, 499, 502-504, 715,  
D9/717, 718, 730, 734; 206/37, 494, 581,  
206/711, 804, 812; 211/13.1, 48, 49.1;  
220/200, 281, 662, 675, 740, 780-799,  
220/802, 839; 221/22, 33, 45, 186, 286;  
222/424.5; 312/34.1, 34.4; 383/66

CPC ..... B65D 1/34; B65D 1/42  
See application file for complete search history.

(56) **References Cited**

**U.S. PATENT DOCUMENTS**

D52,878 S *	1/1919	Grasberger	.....	D7/653
D53,587 S *	7/1919	Grasberger	.....	D7/653
D53,588 S *	7/1919	Grasberger	.....	D7/653
D167,668 S *	9/1952	Bedinger	.....	D3/294
D391,762 S *	3/1998	Ahern, Jr.	.....	D3/302
D398,524 S *	9/1998	Waterhouse	.....	D9/737
D469,665 S *	2/2003	Pettaweebuncha	.....	D7/629
D493,073 S *	7/2004	Kim	.....	D7/629
D497,292 S *	10/2004	Snell	.....	D7/637

(Continued)

**OTHER PUBLICATIONS**

Packaging Europe. RPC Superfos: New Pack for Easy Snacking. Aug. 29, 2014 [online], [site visited Jan. 9, 2015]. Available from Internet, <URL:http://focus.packagingeurope.com/Emballage2014/News/Story/59990/RPC-Superfos-New-Pack-for-Easy-Snacking/>.\*

(Continued)

*Primary Examiner* — Robert M Spear

*Assistant Examiner* — Darcey E Heflin

(74) *Attorney, Agent, or Firm* — Dykema Gossett PLLC

(57) **CLAIM**

The ornamental design of a lid for a container, as shown and described.

**DESCRIPTION**

FIG. 1 is a top perspective view of a lid for a container according to a first embodiment of my new and ornamental design,

FIG. 2 is a top plan view thereof,

FIG. 3 is a bottom perspective view thereof,

FIG. 4 is a bottom plan view thereof,

FIG. 5 is a first side view thereof,

FIG. 6 is a second side view thereof, and

FIG. 7 is a cross sectional view thereof,

FIG. 8 is a top perspective view of a second embodiment thereof,

FIG. 9 is a top plan view thereof,

FIG. 10 is a bottom perspective view thereof,

FIG. 11 is a bottom plan view thereof,

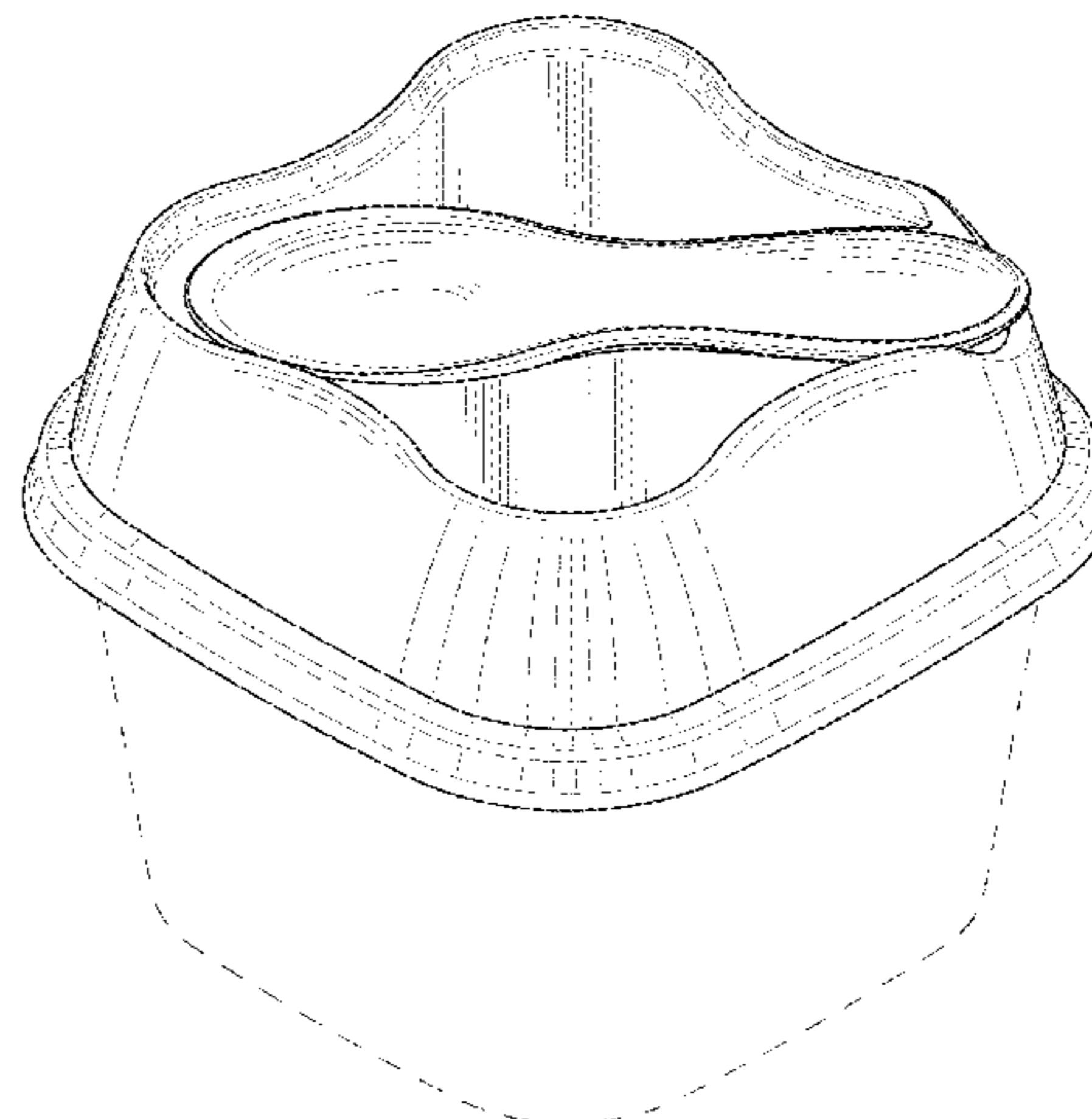
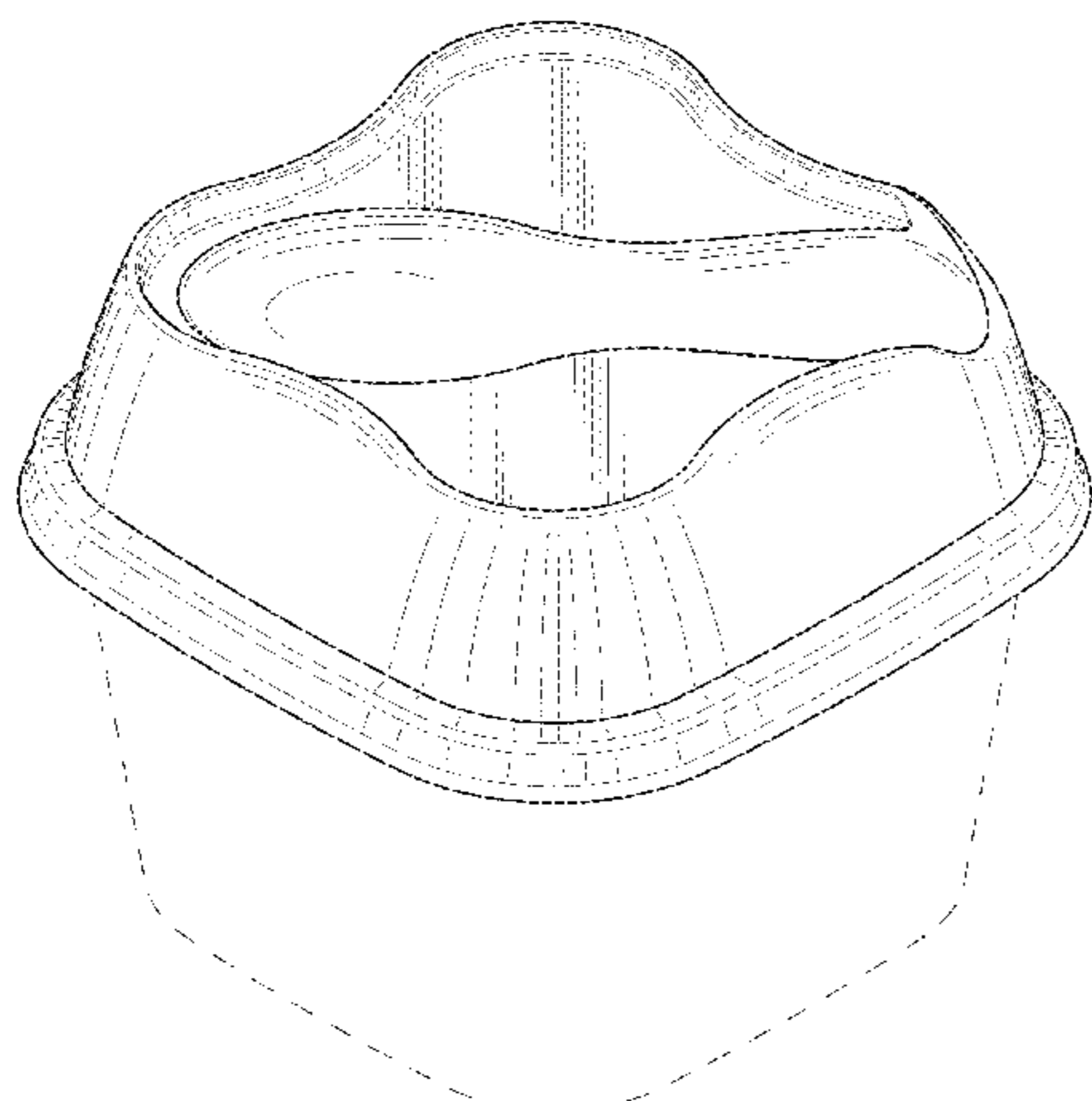
FIG. 12 is a first side view thereof,

FIG. 13 is a second side view thereof; and,

FIG. 14 is a cross sectional view thereof.

The portions of the figures shown in dashed lines represent environment and are not part of the claimed design.

**1 Claim, 14 Drawing Sheets**



(56)

**References Cited**

U.S. PATENT DOCUMENTS

D569,722 S \* 5/2008 Stamper et al. .... D9/425  
D581,209 S \* 11/2008 Brown ..... D7/392.1  
D630,047 S \* 1/2011 Antoun et al. .... D7/392.1  
D651,477 S \* 1/2012 Nie ..... D7/629  
D657,204 S \* 4/2012 Seehoff et al. .... D7/629  
D705,020 S \* 5/2014 Fraser et al. .... D7/653  
8,794,440 B2 \* 8/2014 BeVier et al. .... 206/507

OTHER PUBLICATIONS

Etsy. Concrete Salt and pepper Tabletop Serving Set. Jan. 10, 2015  
[online], [site visited Jan. 14, 2015]. Available from Internet,  
<URL:https://www.etsy.com/listing/163931759/concrete-salt-and-  
pepper-tabletop?ref=market>.\*

\* cited by examiner

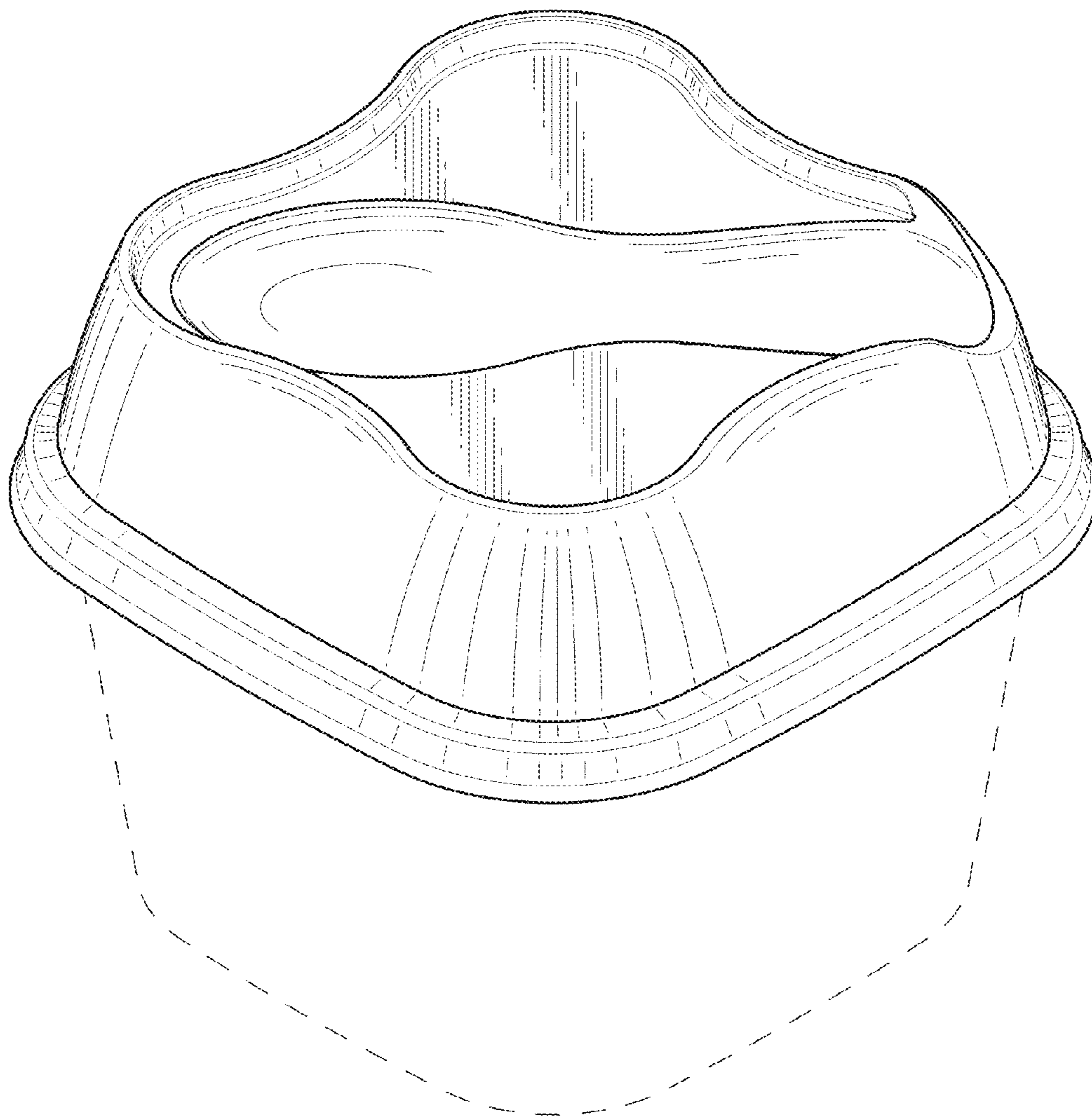


Fig. 1

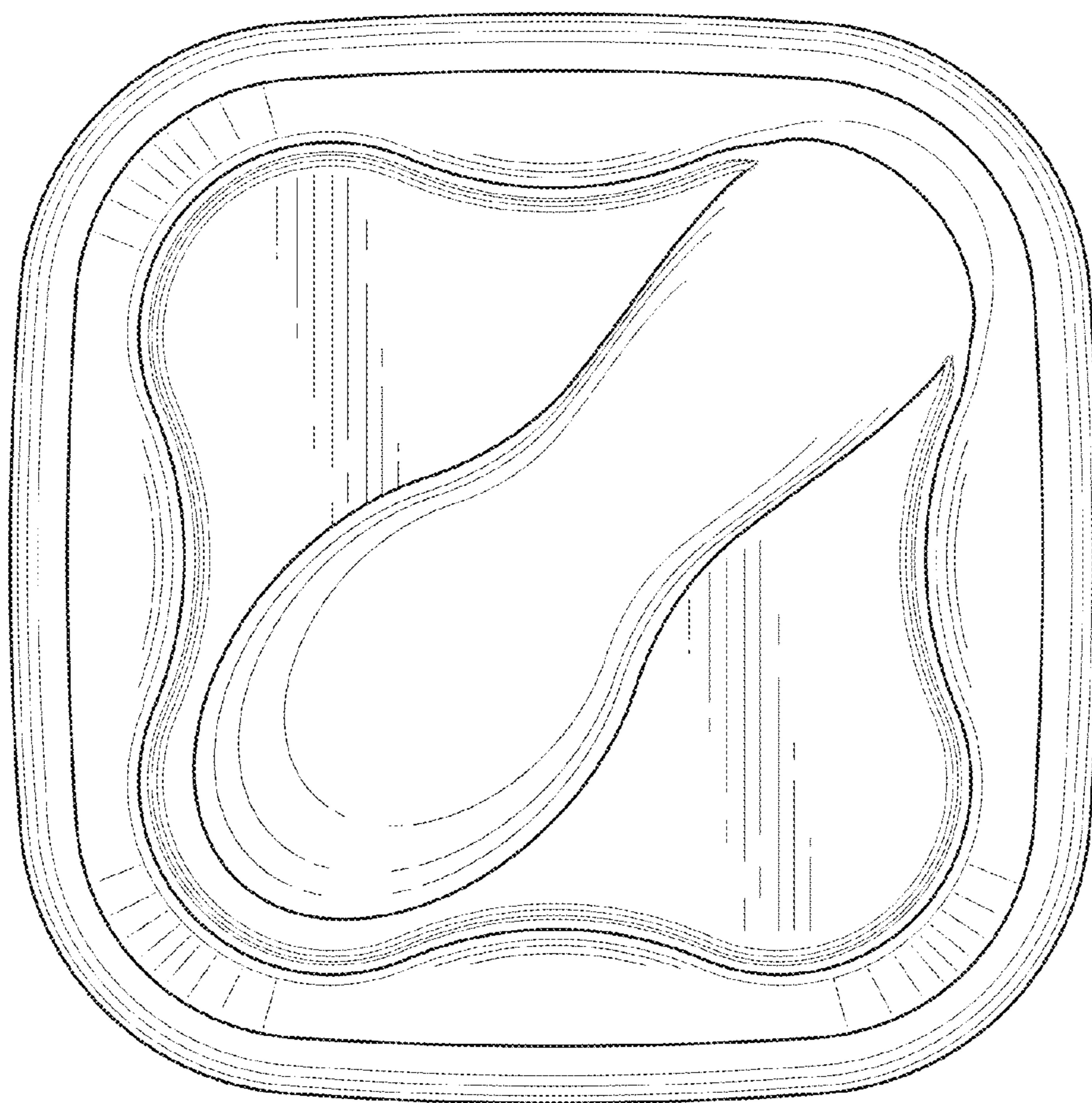


Fig. 2

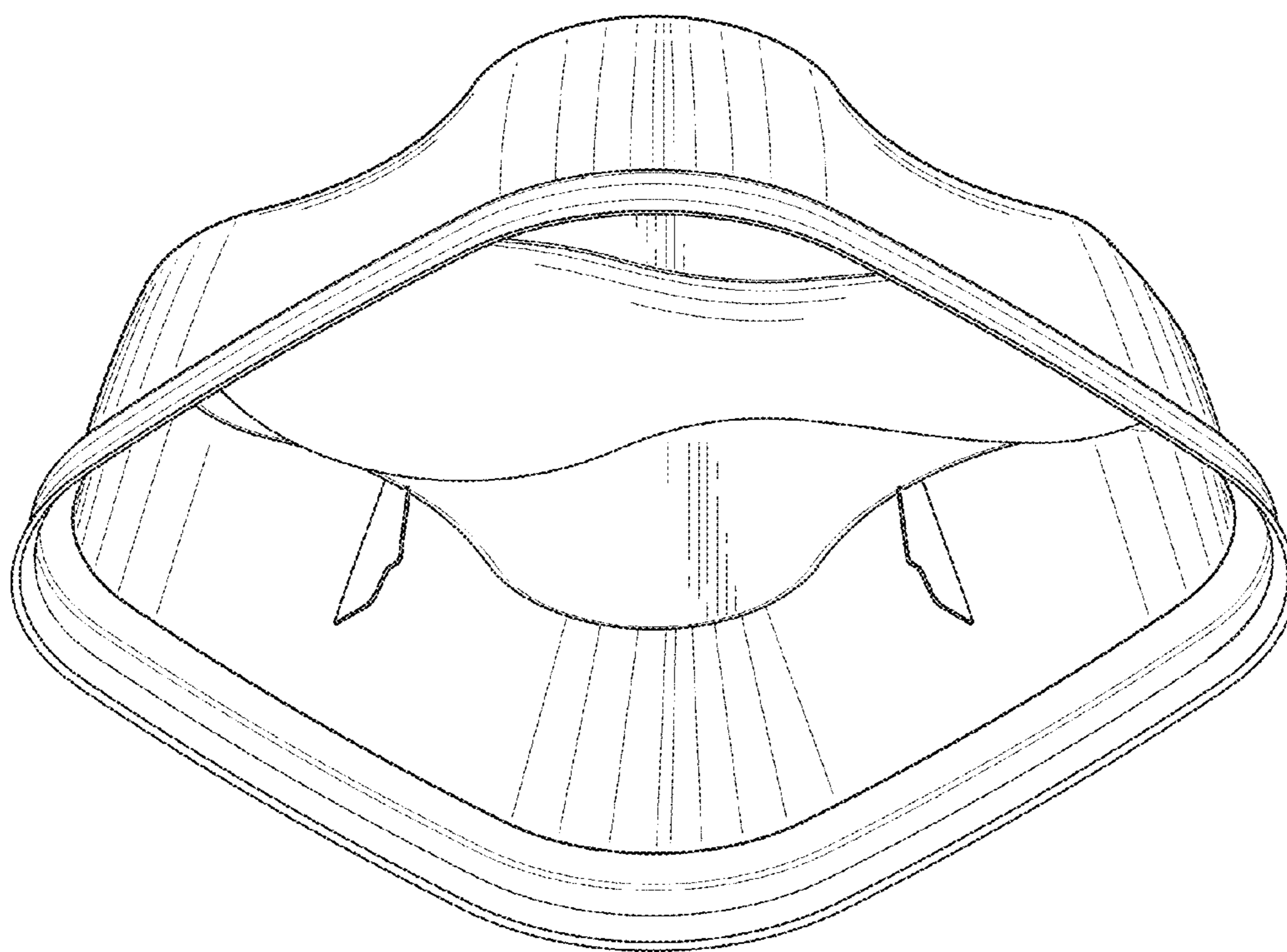


Fig. 3

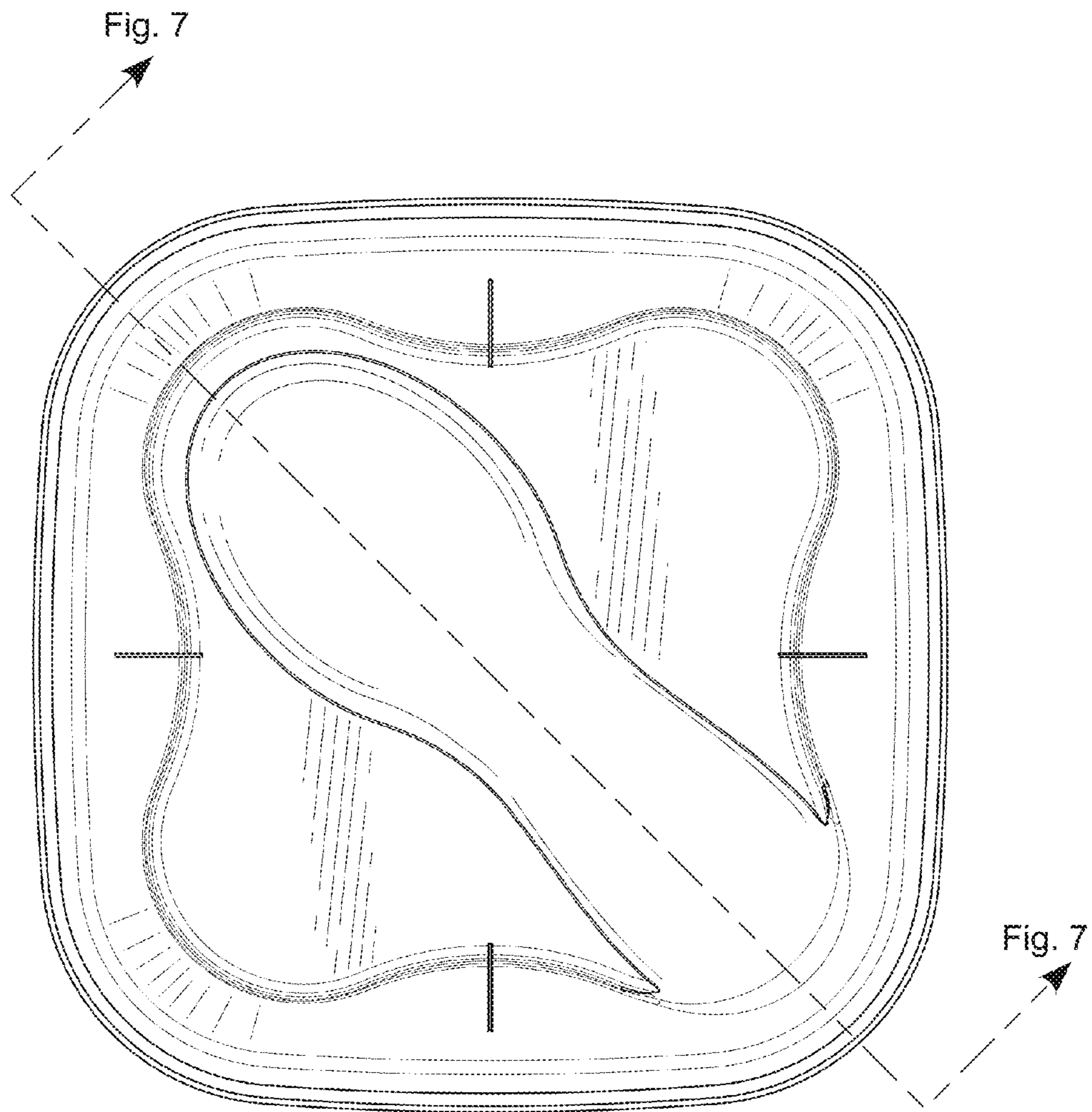


Fig. 4

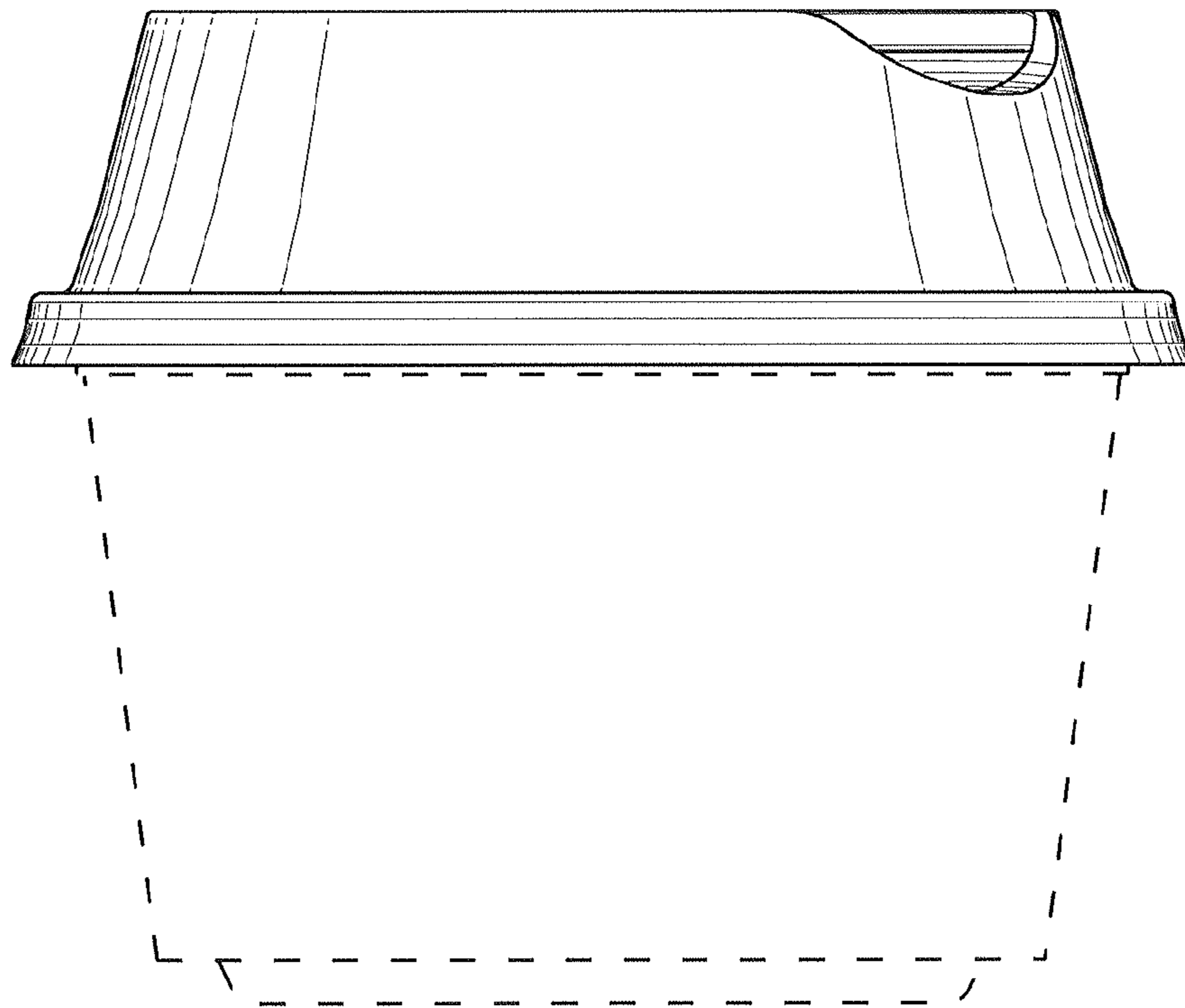


Fig. 5

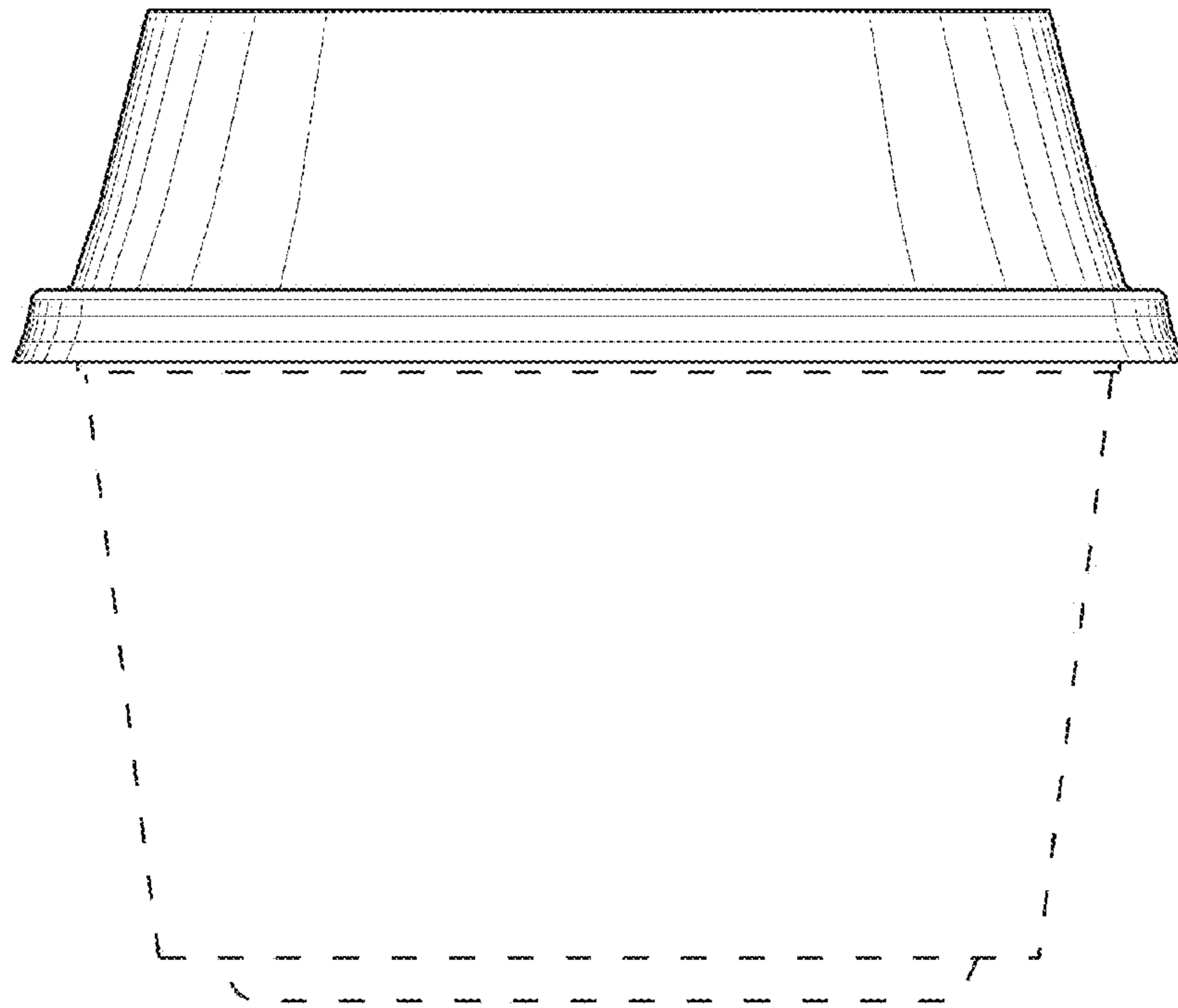


Fig. 6



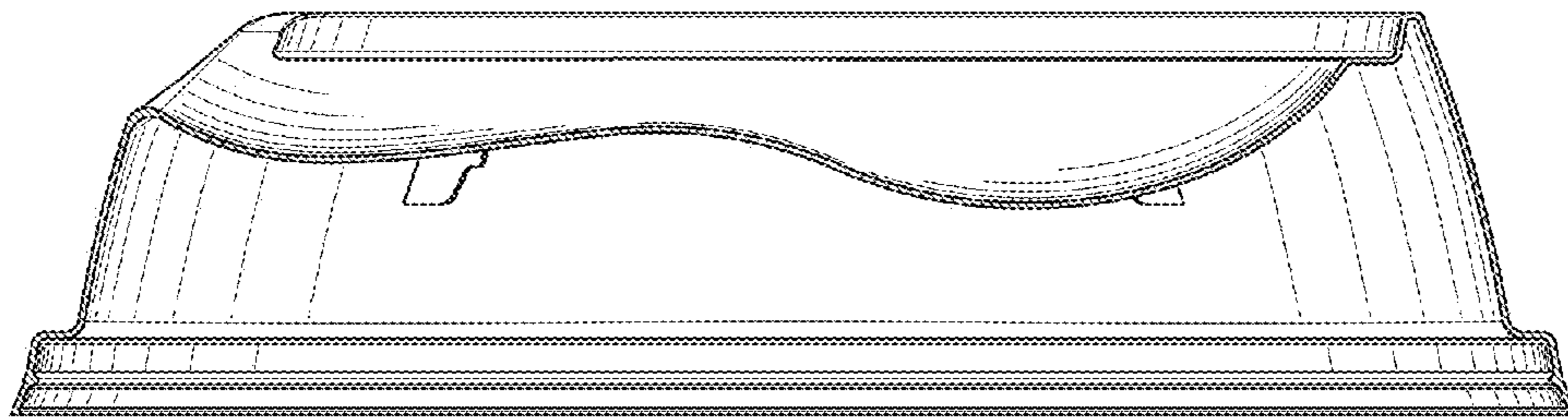


Fig. 7

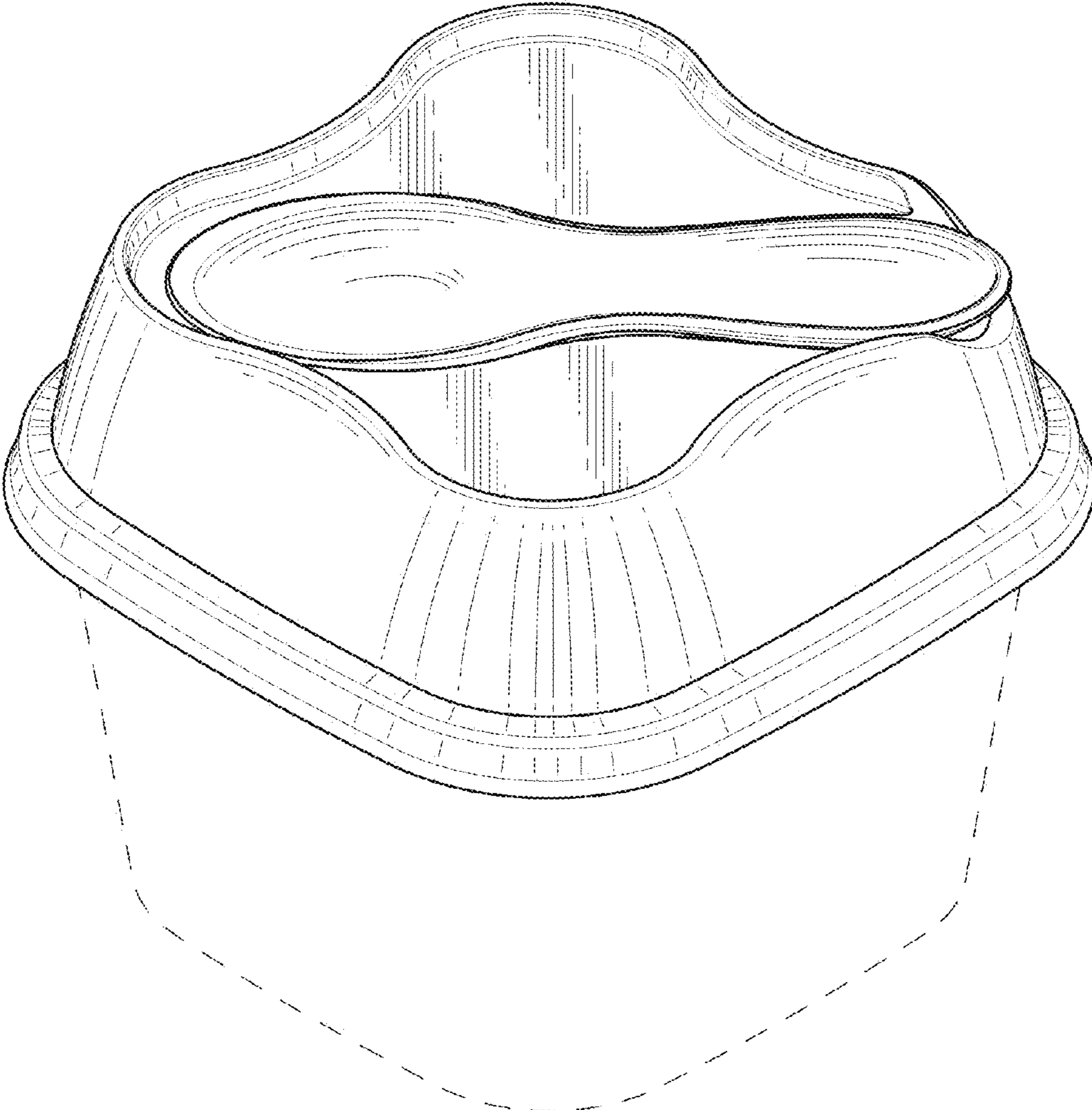


Fig. 8

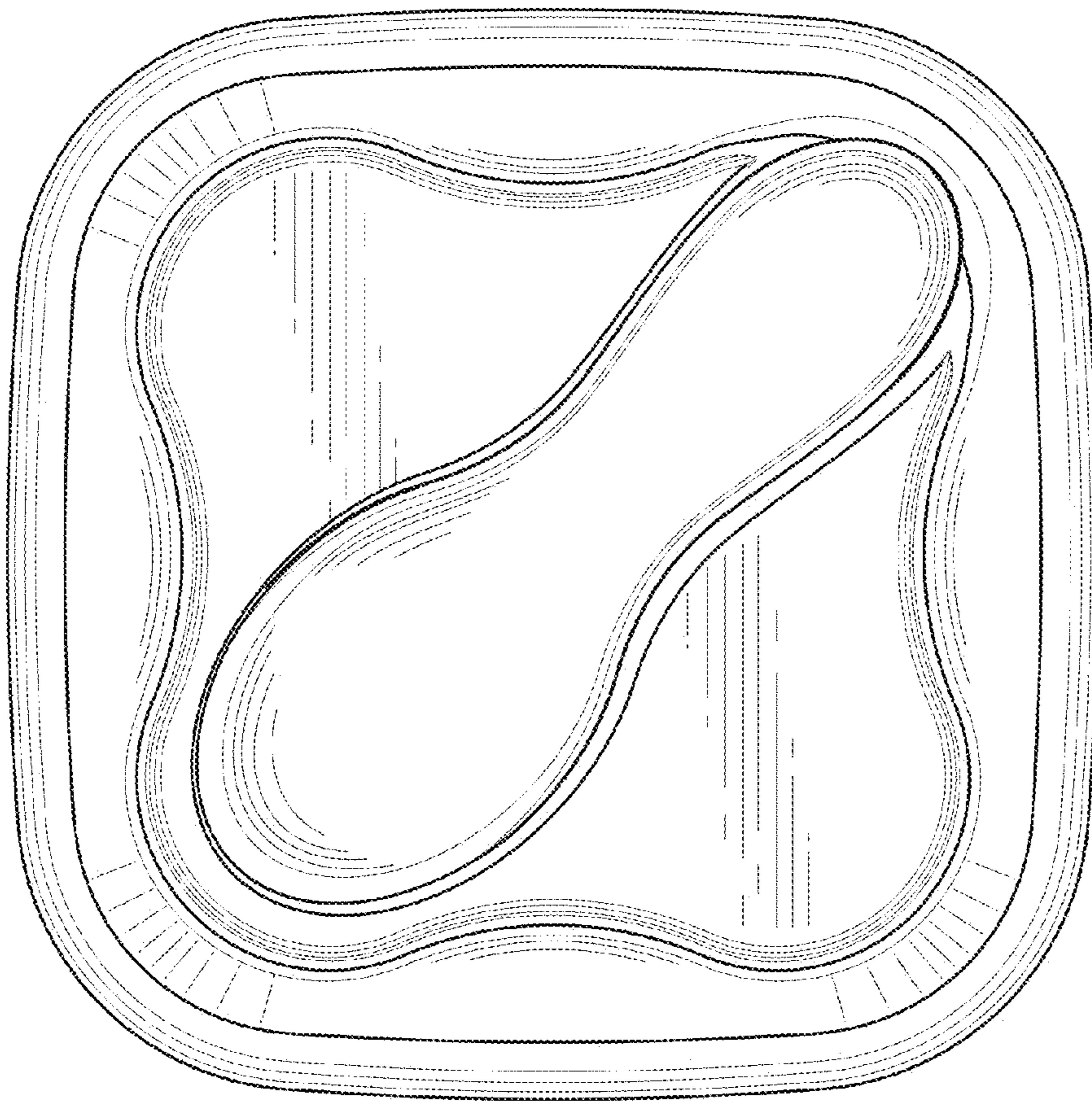


Fig. 9

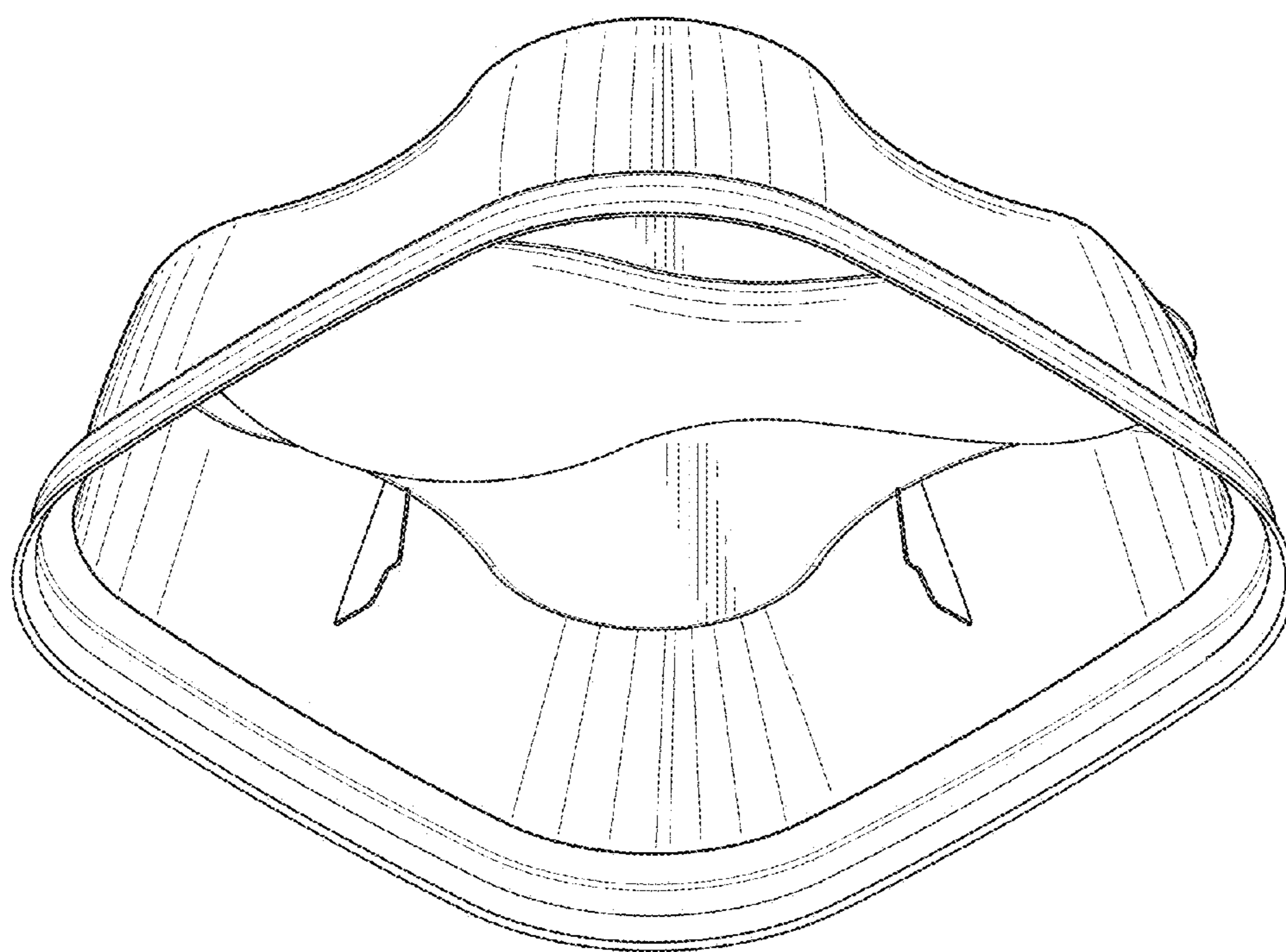


Fig. 10

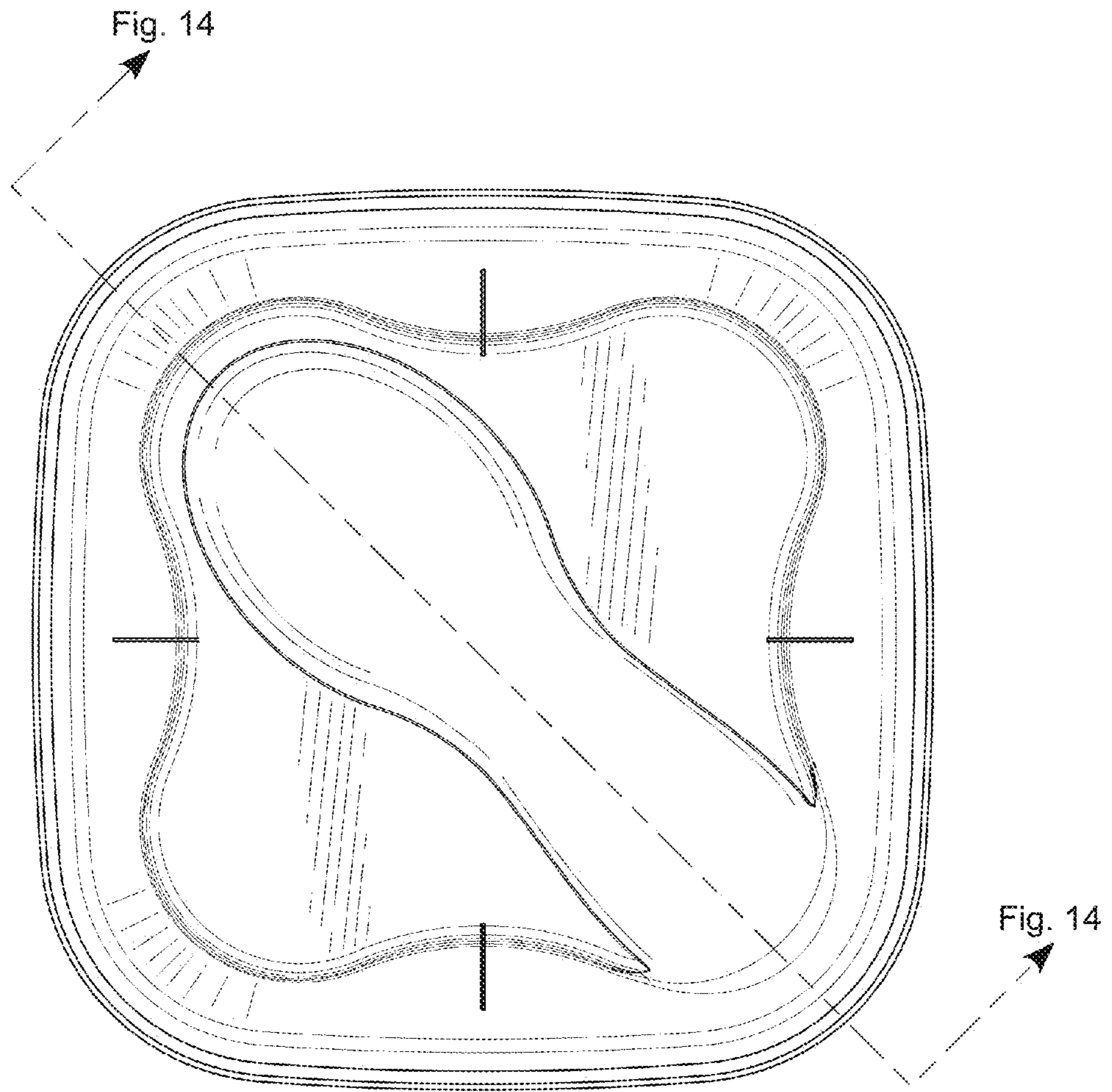


Fig. 11

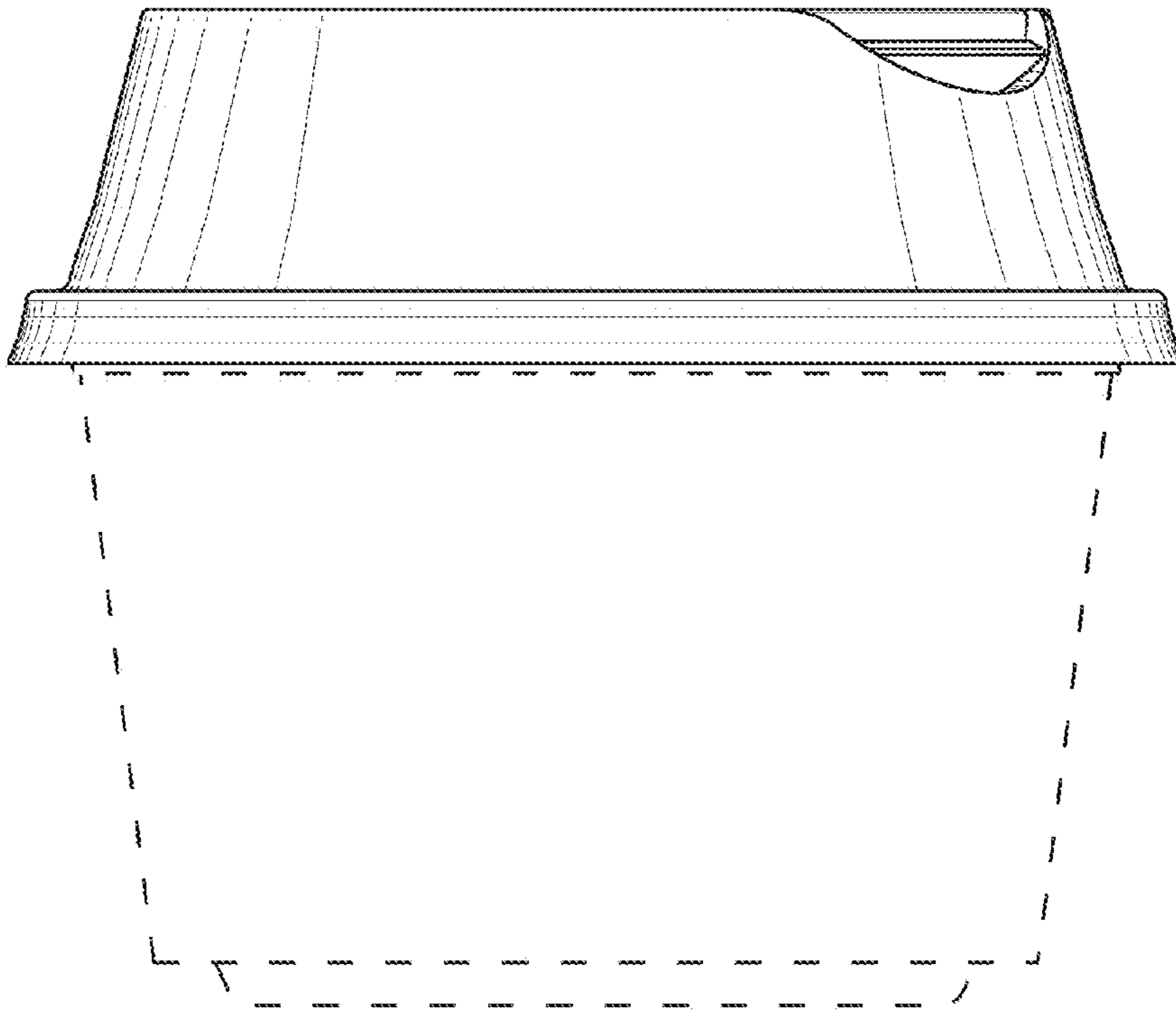


Fig. 12

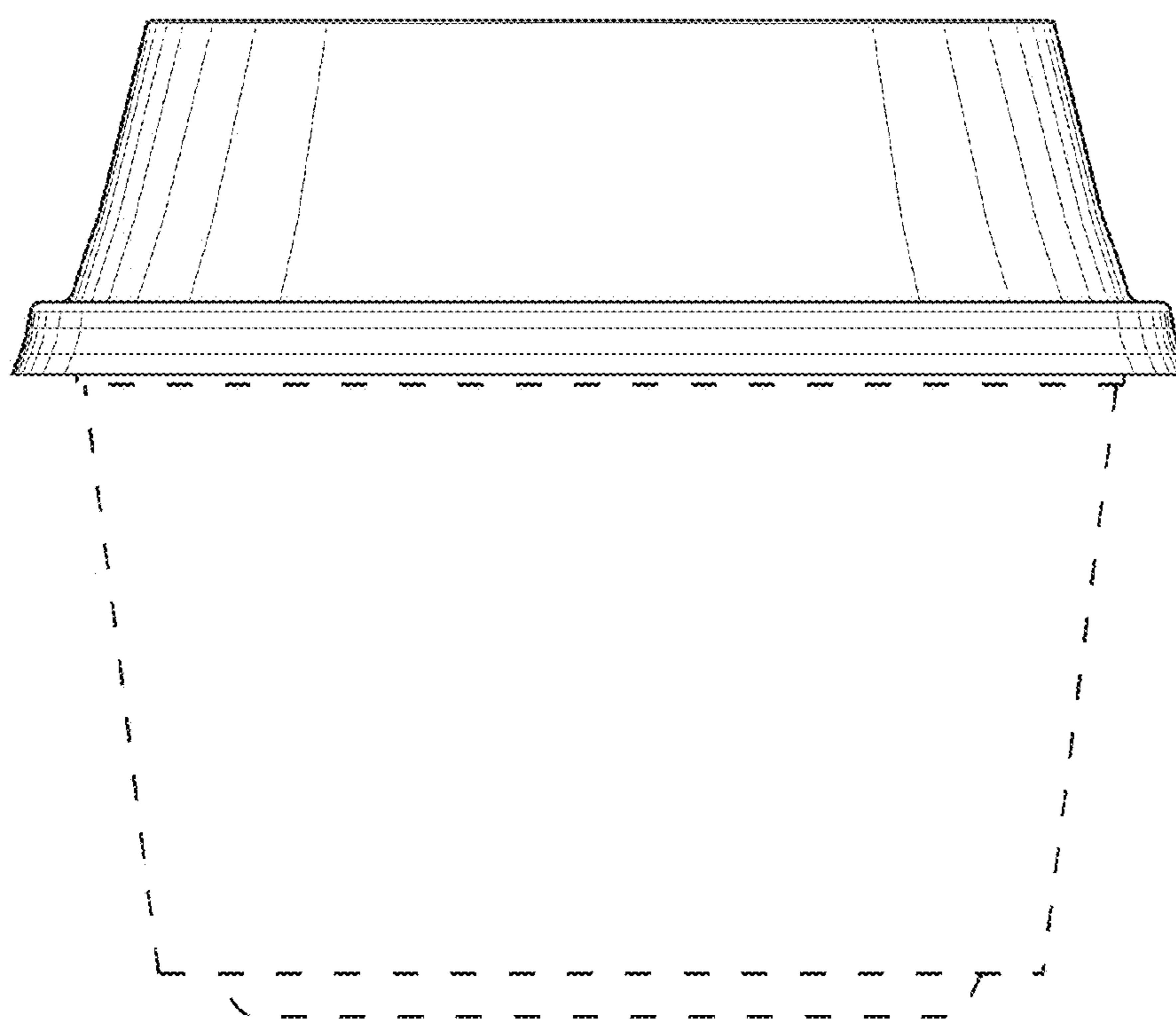


Fig. 13

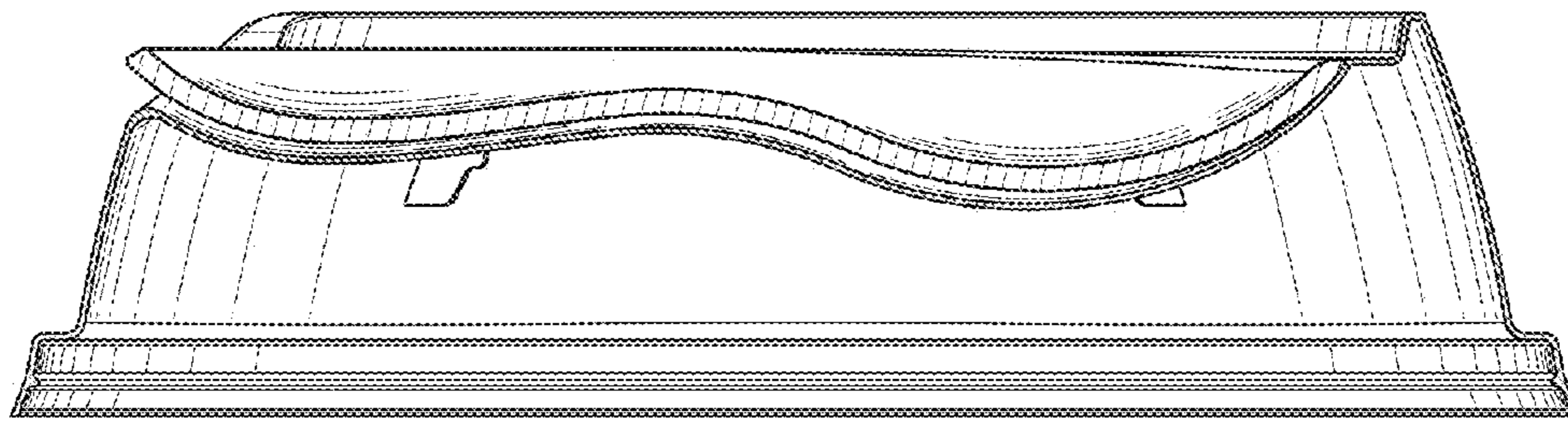


Fig. 14