



US00D738207S

(12) **United States Design Patent**
Bushida et al.

(10) **Patent No.:** **US D738,207 S**
(45) **Date of Patent:** **** Sep. 8, 2015**

(54) **PACKAGING CONTAINER**

- (71) Applicant: **SUNTORY BEVERAGE & FOOD LIMITED**, Tokyo (JP)
- (72) Inventors: **Mitsuru Bushida**, Tokyo (JP); **Daisuke Tanaka**, Tokyo (JP); **Takashi Kado**, Tokyo (JP); **Hiroki Yokoyama**, Tokyo (JP); **Masayuki Kitamasu**, Tokyo (JP)
- (73) Assignees: **SUNTORY BEVERAGE & FOOD LIMITED**, Tokyo (JP); **SUNTORY HOLDINGS LIMITED**, Osaka (JP)

- (**) Term: **14 Years**
- (21) Appl. No.: **29/477,951**
- (22) Filed: **Dec. 30, 2013**

(30) **Foreign Application Priority Data**

Jul. 1, 2013 (JP) 2013-014899

- (51) **LOC (10) Cl.** **09-07**
- (52) **U.S. Cl.**
USPC **D9/434**

- (58) **Field of Classification Search**
USPC D7/300, 321, 392.1, 396.1, 396.2, 500, D7/507, 509, 510, 511, 900; D9/434-455, D9/524, 682, 685, 694, 695, 697, 723, 414, D9/415, 425; D28/63, 76; 215/200, 235, 215/236, 252, 254, 329, 355-364; 220/203.04-203.07, 220, 254.1, 254.4, 220/556, 703-705; 294/137, 170; D3/328; D16/303, 320

See application file for complete search history.

(56) **References Cited**

U.S. PATENT DOCUMENTS

- D447,937 S * 9/2001 Tsuruishi et al. D9/415
- D467,493 S * 12/2002 Hussaini et al. D9/415
- D516,378 S * 3/2006 Smith et al. D7/396.2

OTHER PUBLICATIONS

- U.S. Appl. No. 29/477,956 to Mitsuru Bushida et al., which was filed on Dec. 30, 2013.
- U.S. Appl. No. 29/477,950 to Mitsuru Bushida et al., which was filed on Dec. 30, 2013.
- U.S. Appl. No. 29/477,954 to Mitsuru Bushida et al., which was filed on Dec. 30, 2013.
- U.S. Appl. No. 29/477,953 to Mitsuru Bushida et al., which was filed on Dec. 30, 2013.
- U.S. Appl. No. 29/477,948 to Mitsuru Bushida et al., which was filed on Dec. 30, 2013.

* cited by examiner

Primary Examiner — Robert M Spear
Assistant Examiner — Marissa J Cash

(74) *Attorney, Agent, or Firm* — Greenblum & Bernstein, P.L.C.

(57) **CLAIM**

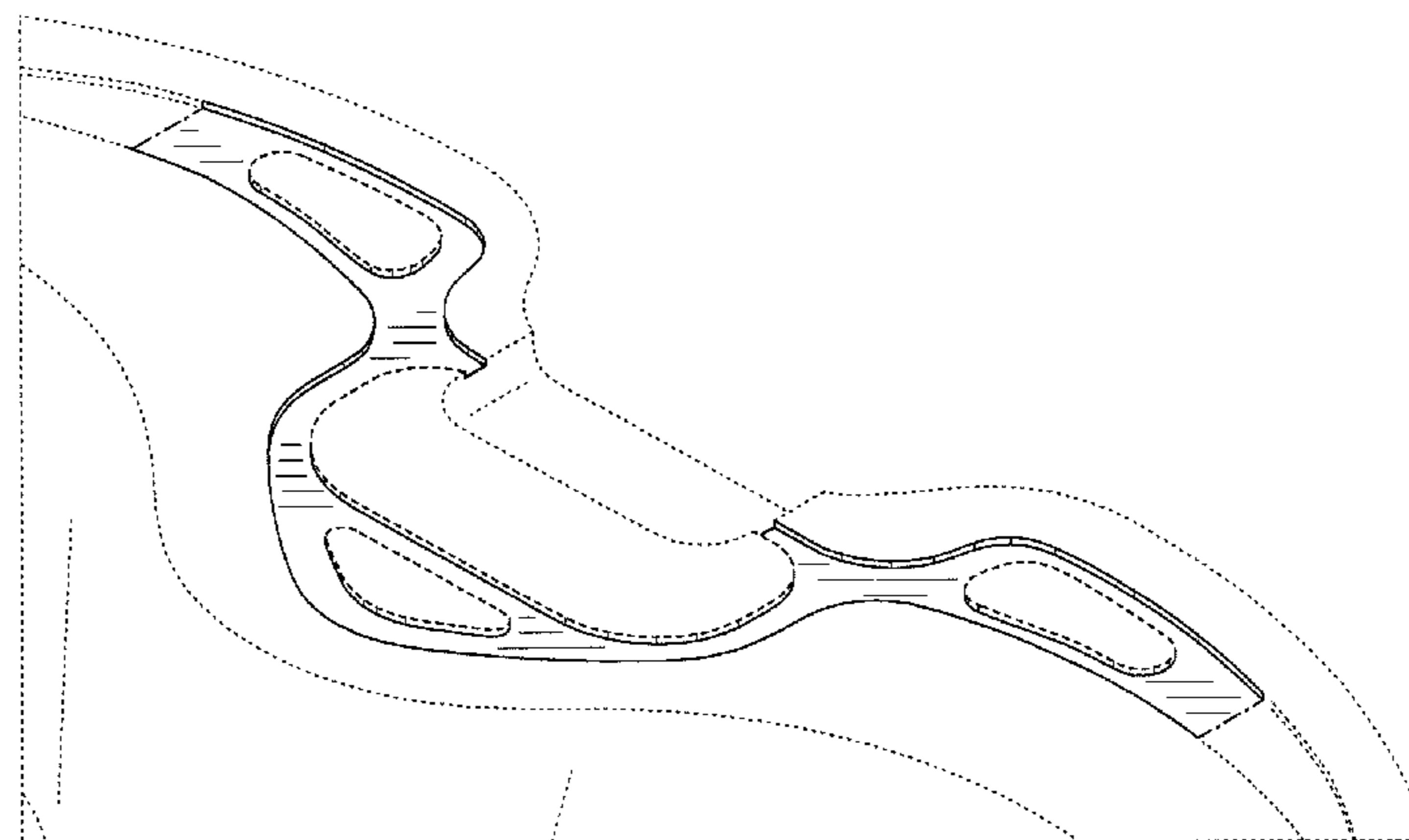
The ornamental design for a packaging container, as shown and described.

DESCRIPTION

FIG. 1 is a front view of a packaging container showing our new design;
 FIG. 2 is a rear view thereof;
 FIG. 3 is a left side view thereof;
 FIG. 4 is a right side view thereof;
 FIG. 5 is a top plan view thereof;
 FIG. 6 is a bottom view thereof;
 FIG. 7 is a perspective view thereof;
 FIG. 8 is an enlarged, partial view taken along the line 8-8 of FIG. 1;
 FIG. 9 is an enlarged view of a portion of FIG. 1; and,
 FIG. 10 is an enlarged view of a portion of FIG. 7.

The broken line showings of FIGS. 1-10 are environmental only and not part of the claimed design.
 The dashed-dotted line showings of FIGS. 1, 7, 9, 10 illustrate a boundary between the claimed design and environmental features and form no part of the claimed design.

1 Claim, 10 Drawing Sheets



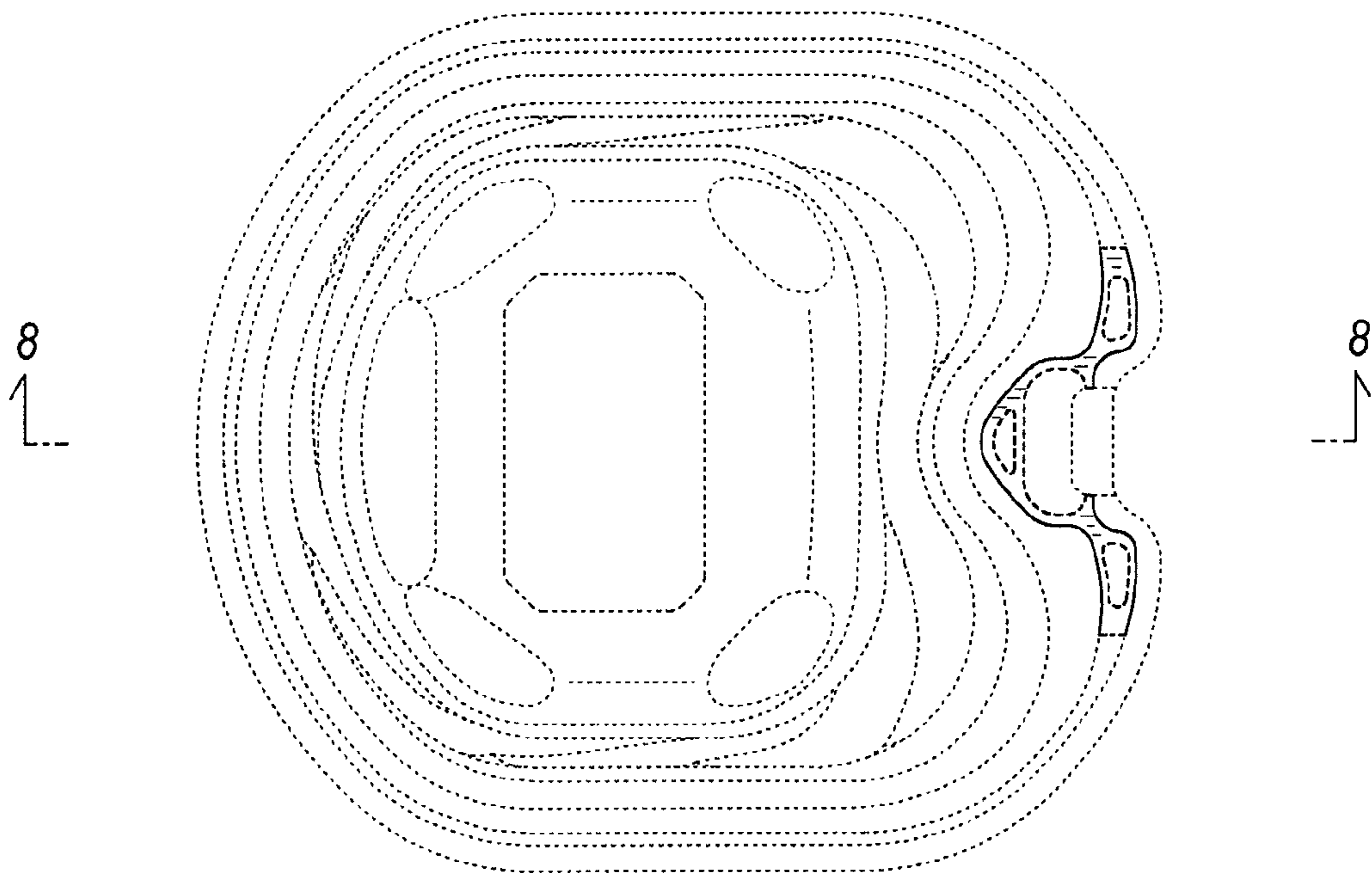


FIG. 1

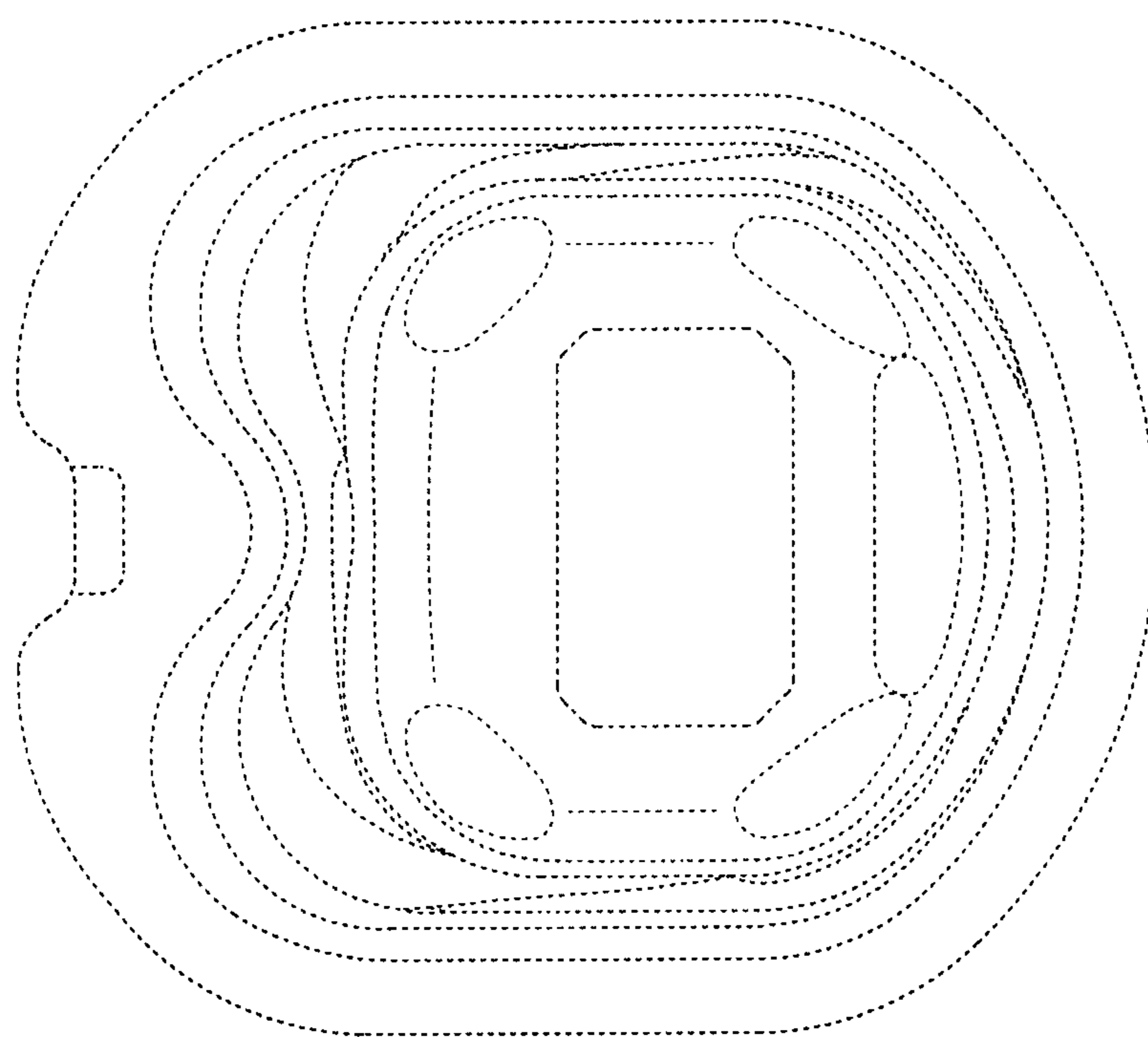


FIG. 2

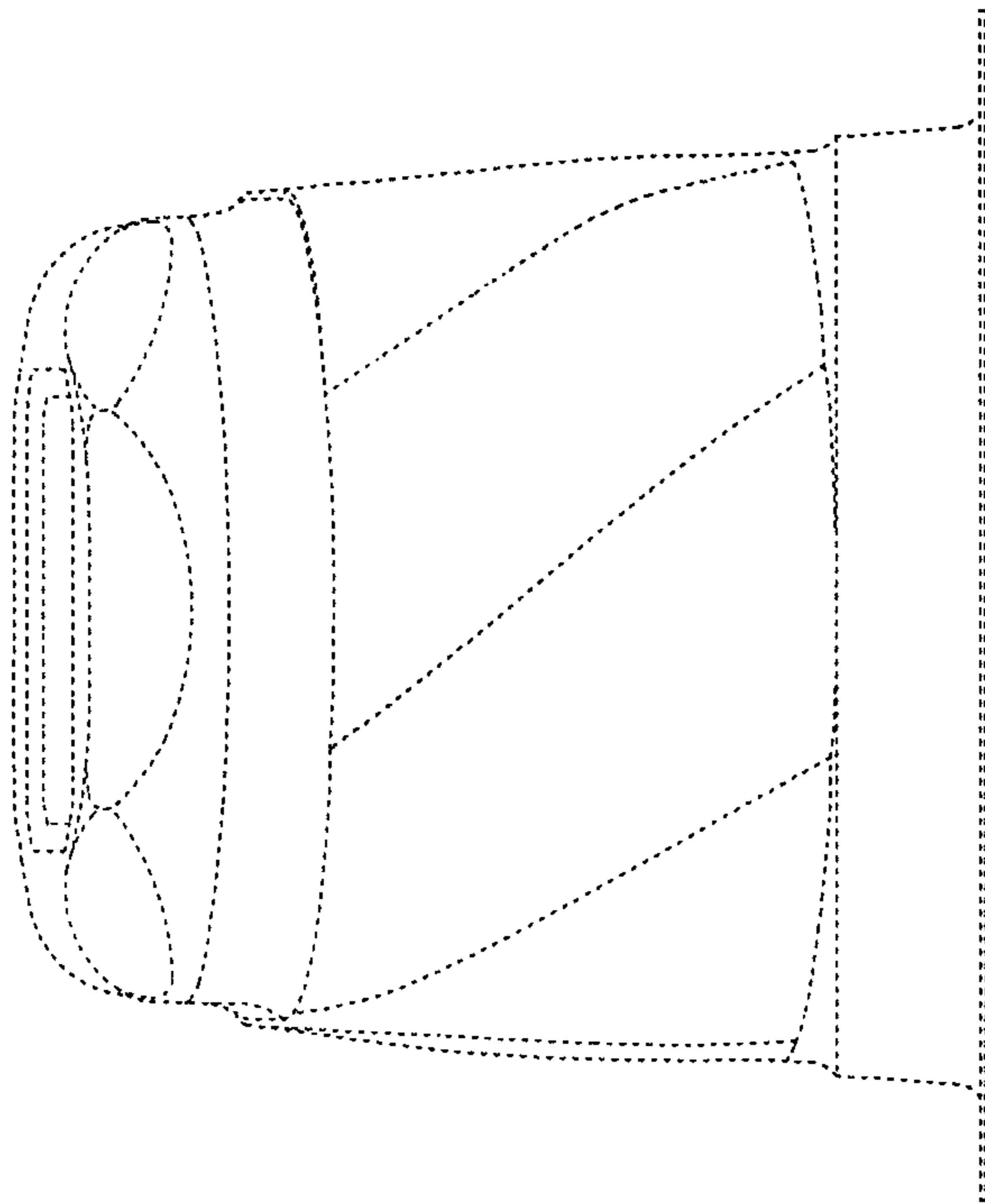


FIG. 3

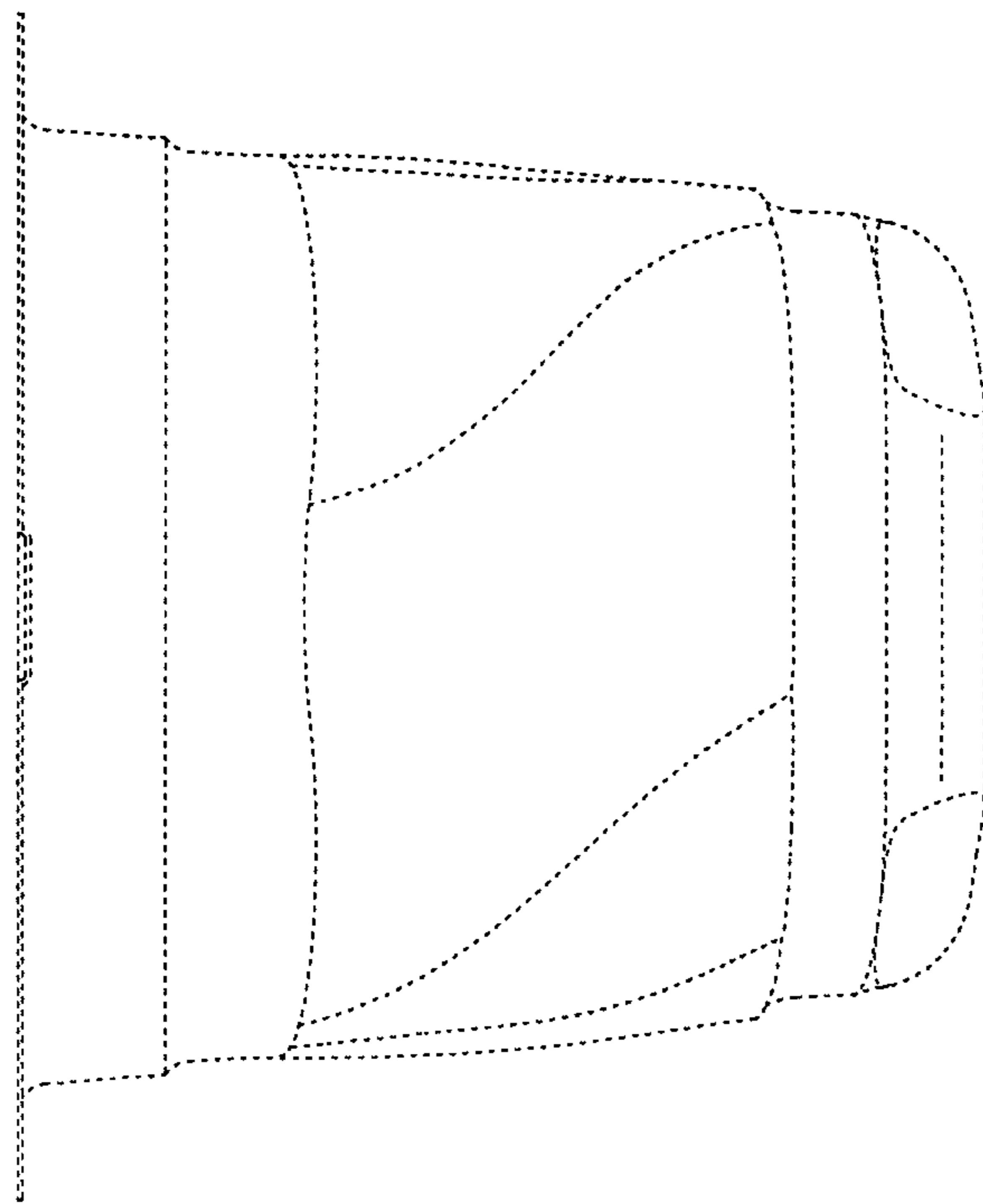


FIG. 4

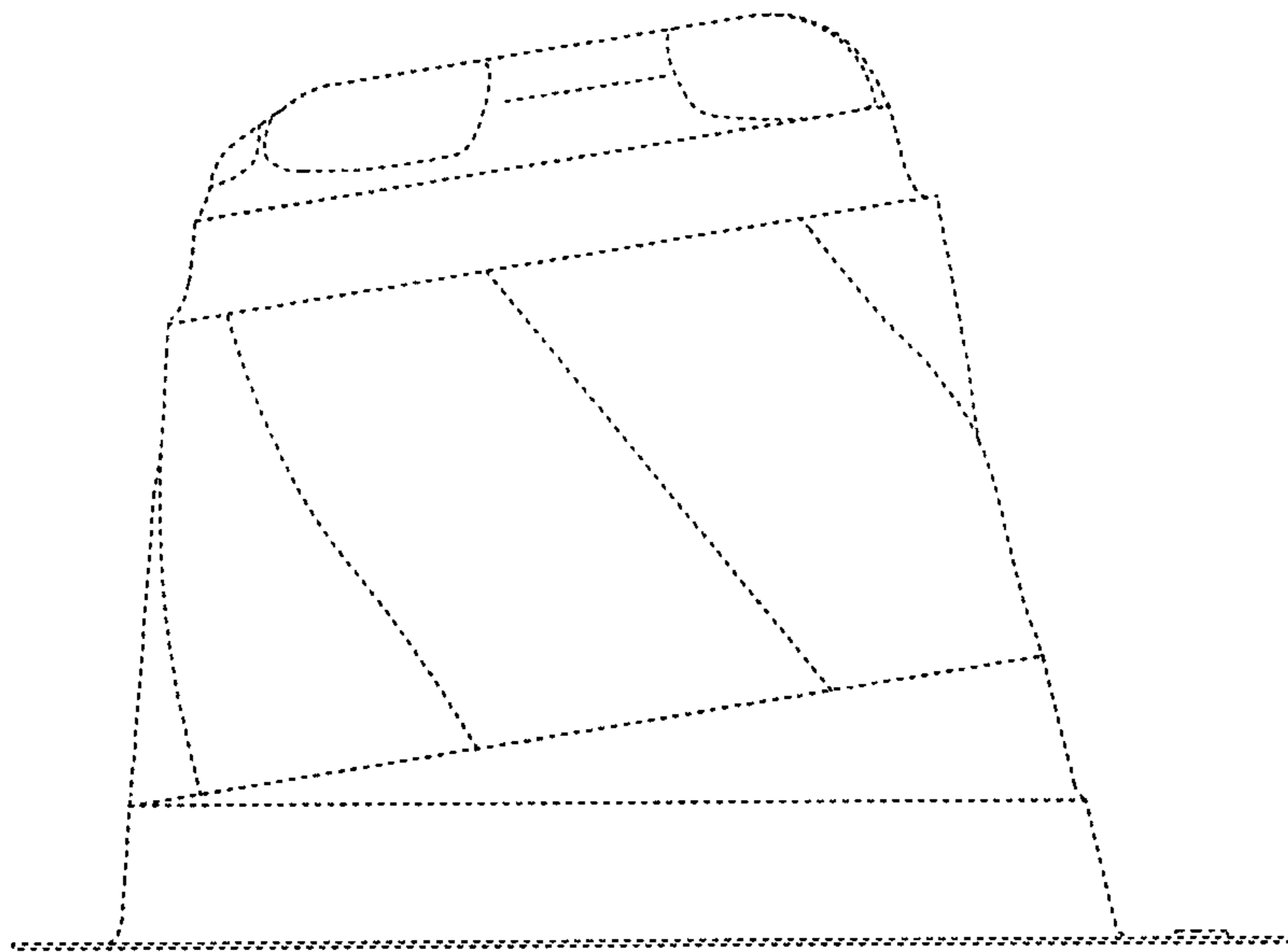


FIG. 5

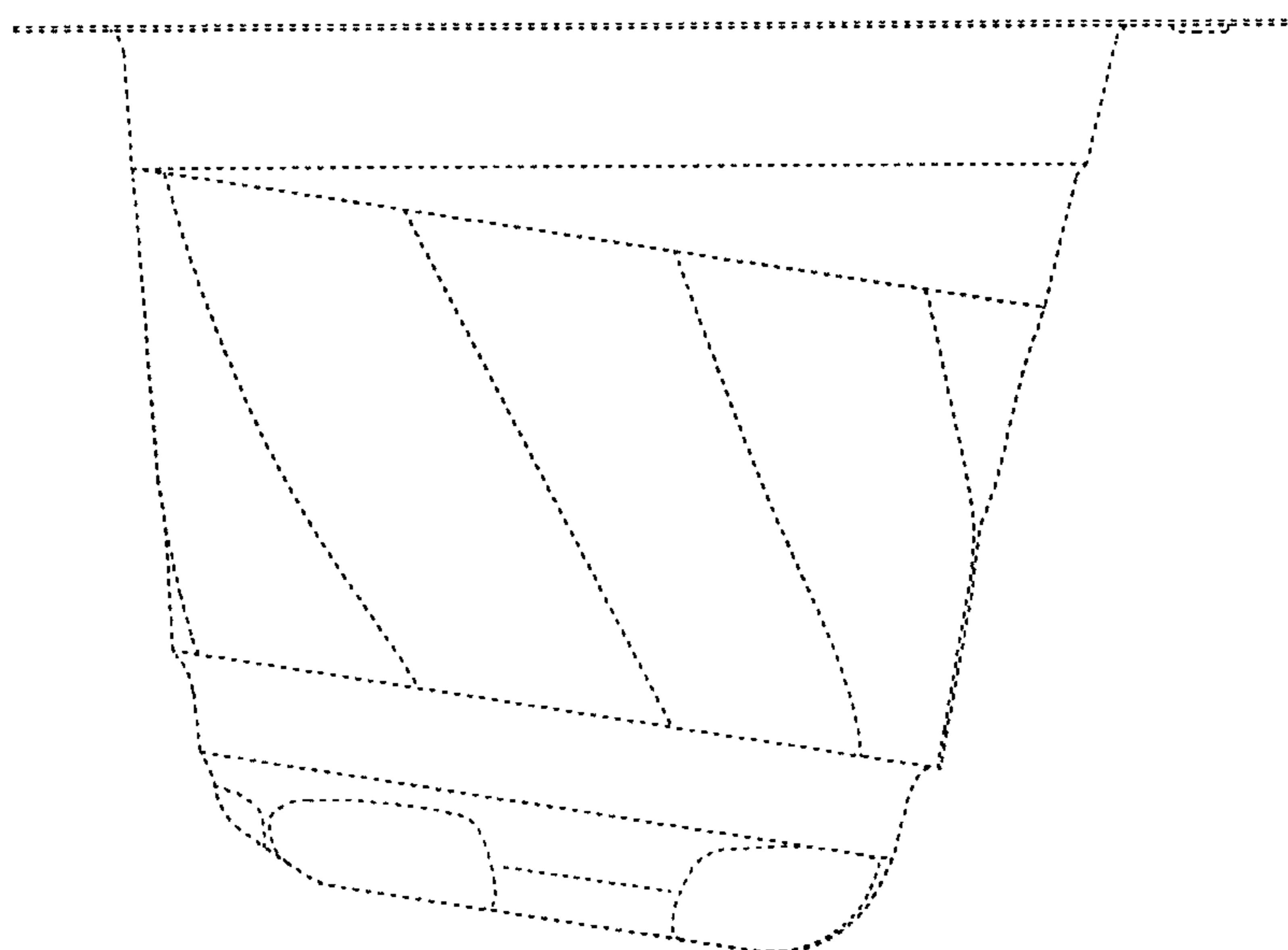


FIG. 6

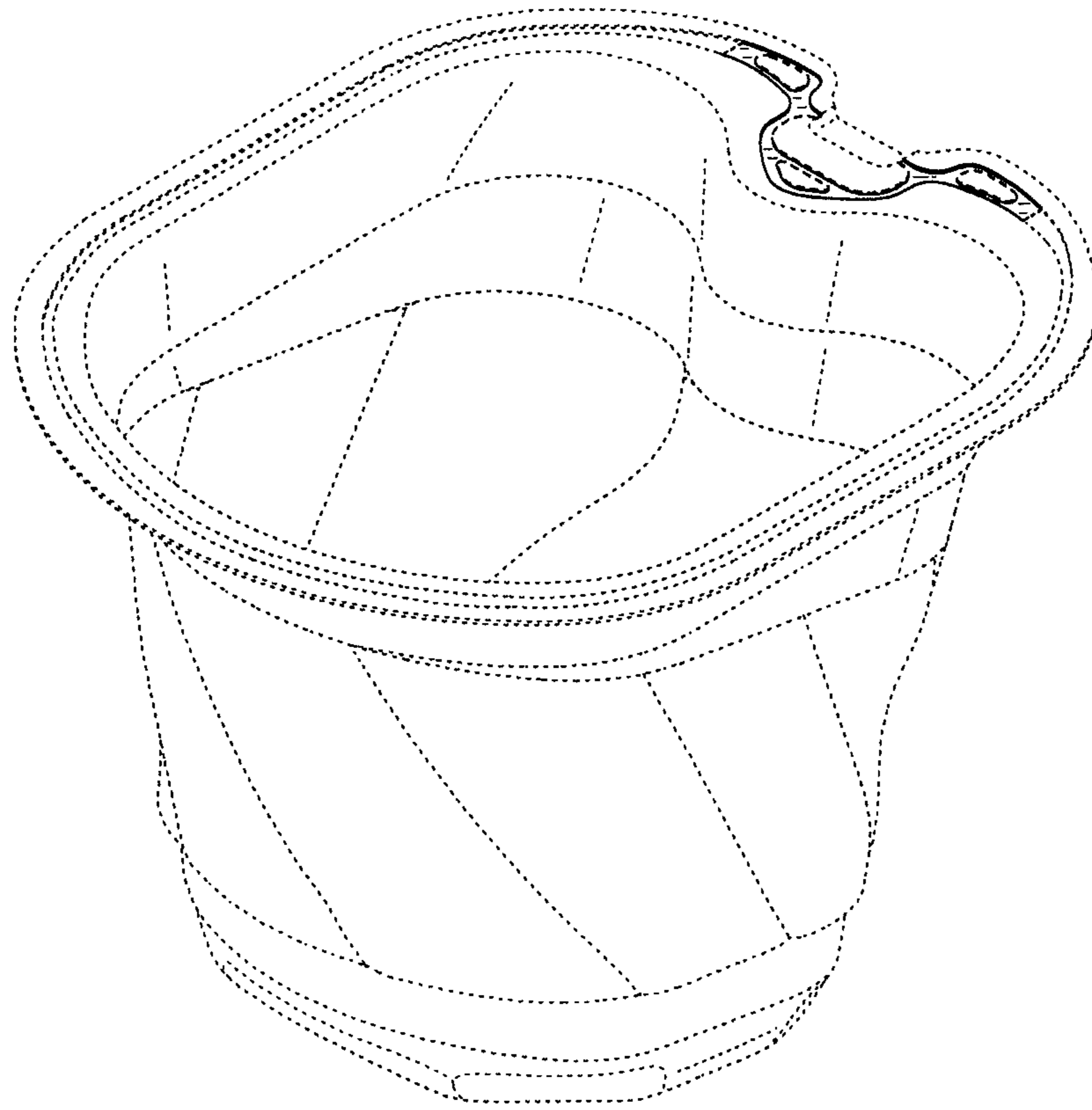


FIG. 7

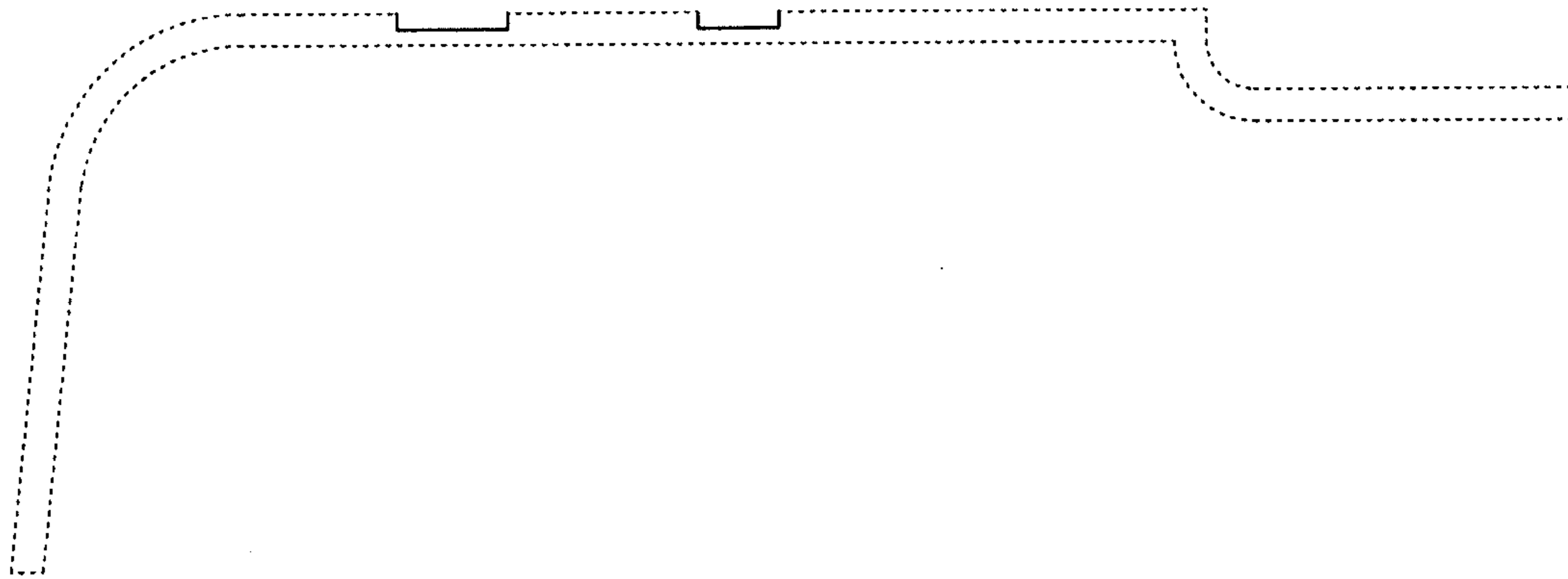


FIG. 8

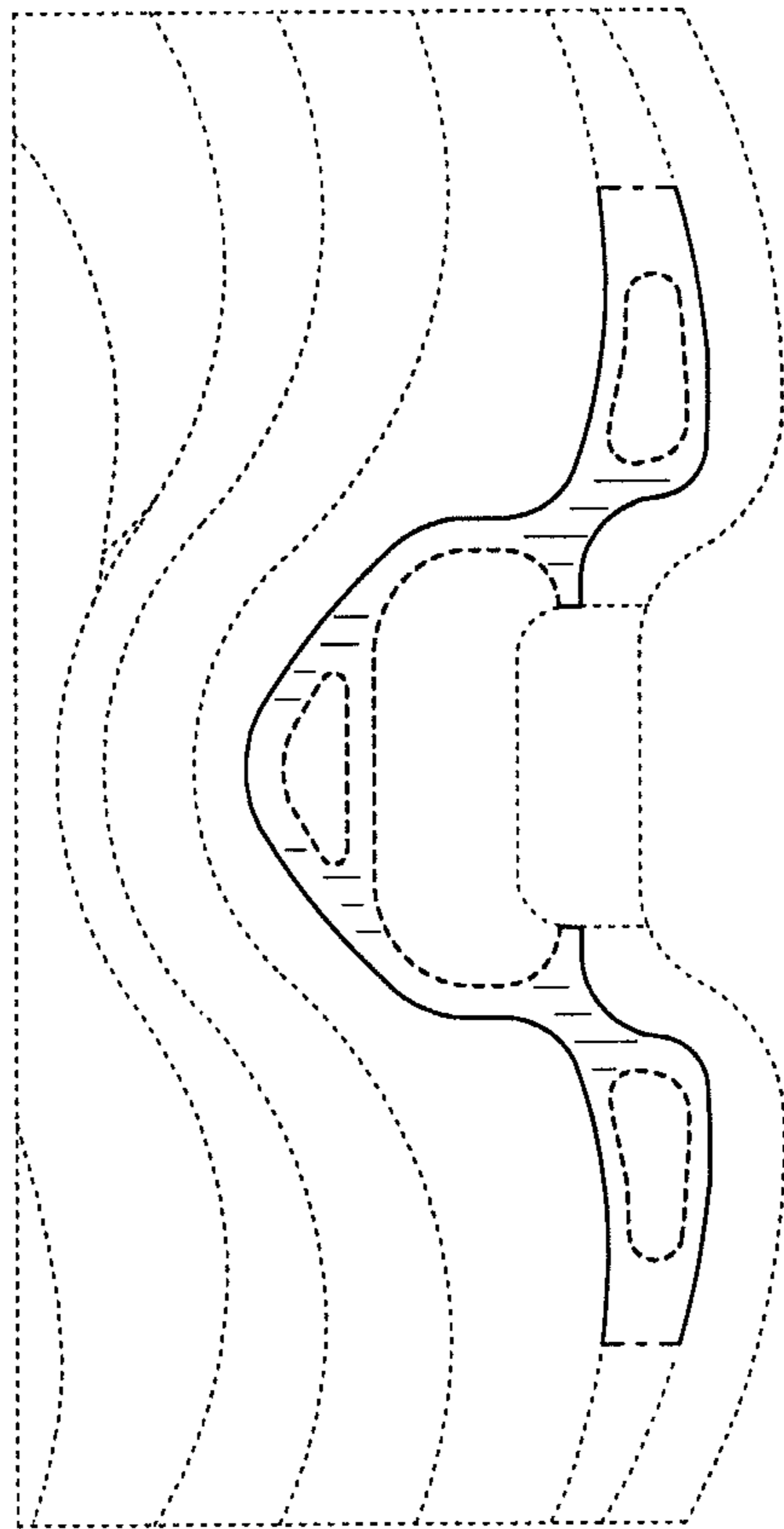


FIG. 9

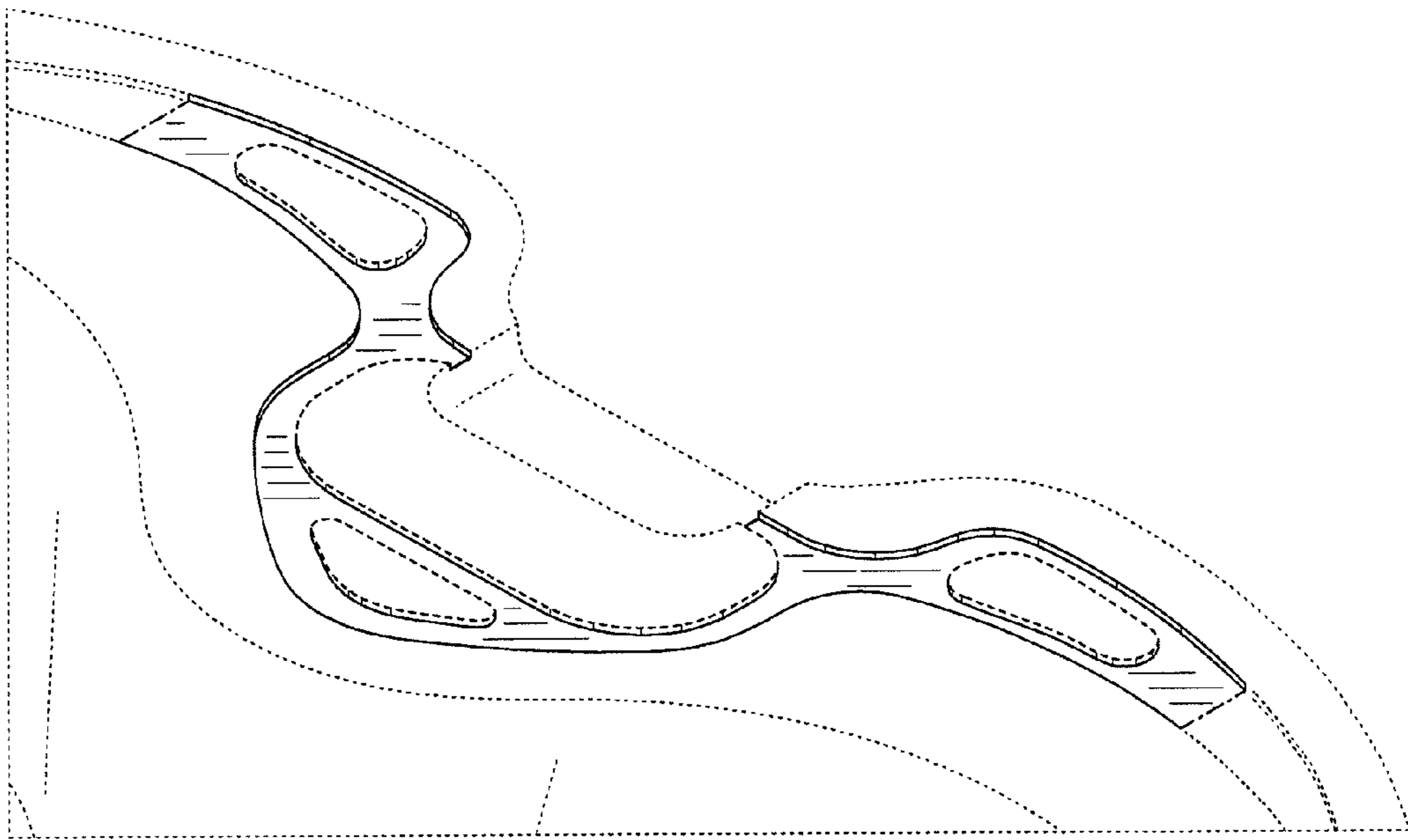


FIG. 10