



US00D738206S

(12) **United States Design Patent**
Corredor-Londoño

(10) **Patent No.:** **US D738,206 S**

(45) **Date of Patent:** **** Sep. 8, 2015**

(54) **PRODUCT PACKAGING**

(71) Applicant: **Pablo Enrique Corredor-Londoño**,
Hialeah, FL (US)

(72) Inventor: **Pablo Enrique Corredor-Londoño**,
Hialeah, FL (US)

(**) Term: **14 Years**

(21) Appl. No.: **29/443,262**

(22) Filed: **Jan. 15, 2013**

(51) **LOC (10) Cl.** **09-07**

(52) **U.S. Cl.**
USPC **D9/434**

(58) **Field of Classification Search**
USPC D9/423–427, 430–432, 434, 435,
D9/420–422, 707, 710; 206/508, 518, 505,
206/514; 220/657, 781, 23.6, 380, 315,
220/266, 270, 643, 675; D7/391, 392, 629;
D3/318

See application file for complete search history.

(56) **References Cited**

U.S. PATENT DOCUMENTS

D239,436 S *	4/1976	Williams	D9/415
D265,977 S *	8/1982	Strongwater	D9/424
D296,191 S *	6/1988	Yoshida et al.	D9/425
D311,684 S *	10/1990	Newell et al.	D9/418
D344,890 S *	3/1994	Townes	D9/418
D372,423 S *	8/1996	Cook	D9/418
D398,844 S *	9/1998	Oberloier	D9/415
D424,245 S *	5/2000	Stoecker	D28/78
D502,095 S *	2/2005	Tucker et al.	D9/425
D524,152 S *	7/2006	Recchia	D9/415
7,141,256 B2 *	11/2006	Noel et al.	426/127
D535,184 S *	1/2007	Tanner	D9/422

D535,186 S *	1/2007	Tanner	D9/422
D539,663 S *	4/2007	Jovetic et al.	D9/420
D557,053 S *	12/2007	Osborn et al.	D6/632
D585,762 S *	2/2009	Friedland et al.	D9/707
D636,258 S *	4/2011	Freeman et al.	D9/425
D646,564 S *	10/2011	Freeman et al.	D9/425
D655,154 S *	3/2012	Amos et al.	D9/425
D678,047 S *	3/2013	Green	D9/416
D687,294 S *	8/2013	Green	D9/416
D689,767 S *	9/2013	Clark et al.	D9/425
D701,755 S *	4/2014	Fathollahi et al.	D9/415

* cited by examiner

Primary Examiner — Susan Bennett Hattan

Assistant Examiner — Brett Miller

(74) *Attorney, Agent, or Firm* — Albert Bordas, P.A.

(57) **CLAIM**

The ornamental design for a product packaging, as shown and described.

DESCRIPTION

FIG. 1 is a top plan view of a product packaging;
FIG. 2 is a front elevational view thereof;
FIG. 3 is a bottom view thereof;
FIG. 4 is a left elevational view thereof, the elevational right view being a mirror image thereof;
FIG. 5 is a rear elevational view thereof;
FIG. 6 is an isometric view thereof;
FIG. 7 is an enlarged top plan view thereof; and,
FIG. 8 is a partial isometric view thereof taken along circle-line 8 from FIG. 6.

The broken lines are for environmental purposes only and form no part of the claimed design.

The claimed product packaging is used to engage product packaging in racks.

1 Claim, 4 Drawing Sheets

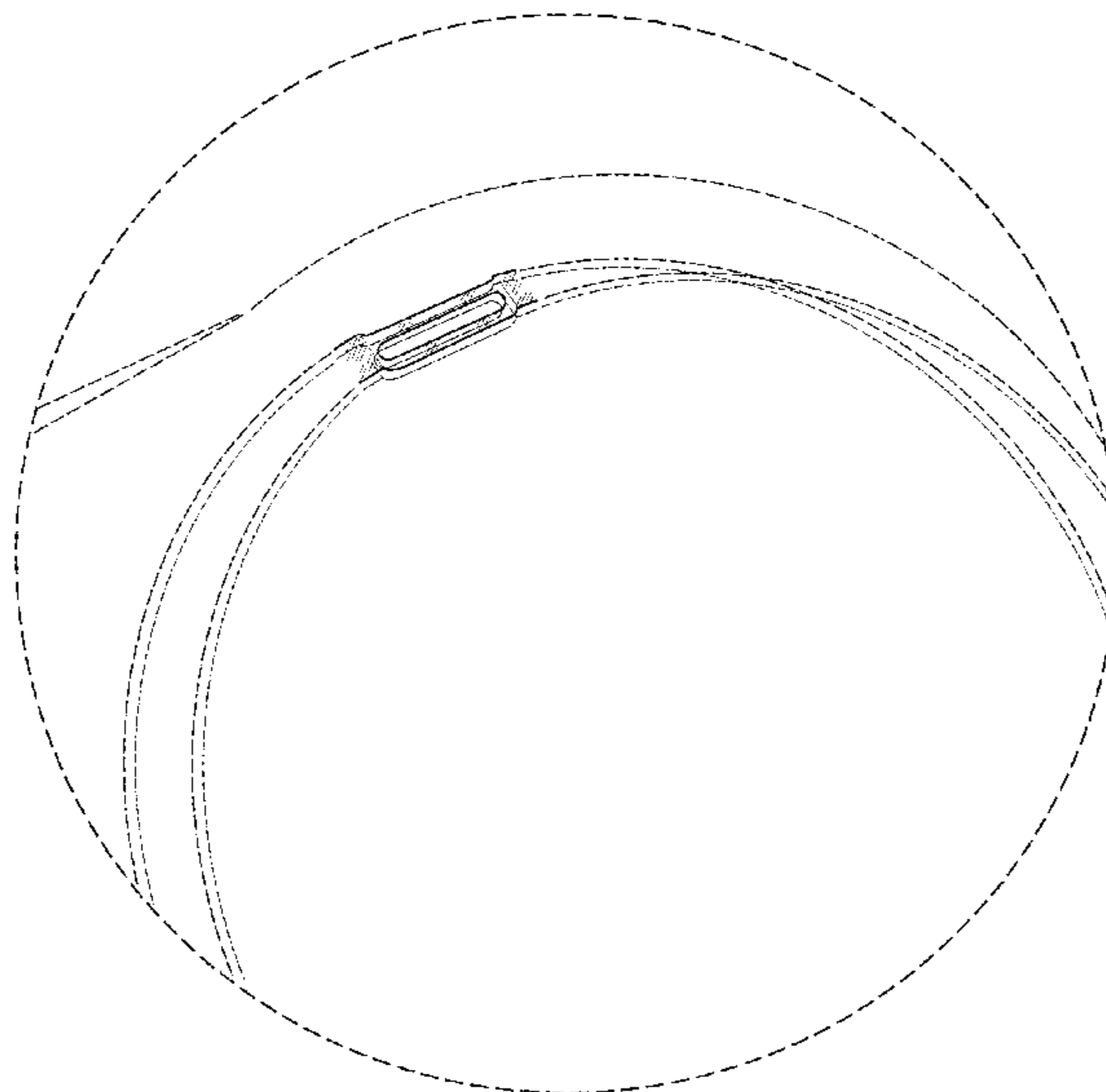


Fig. 1



Fig. 2

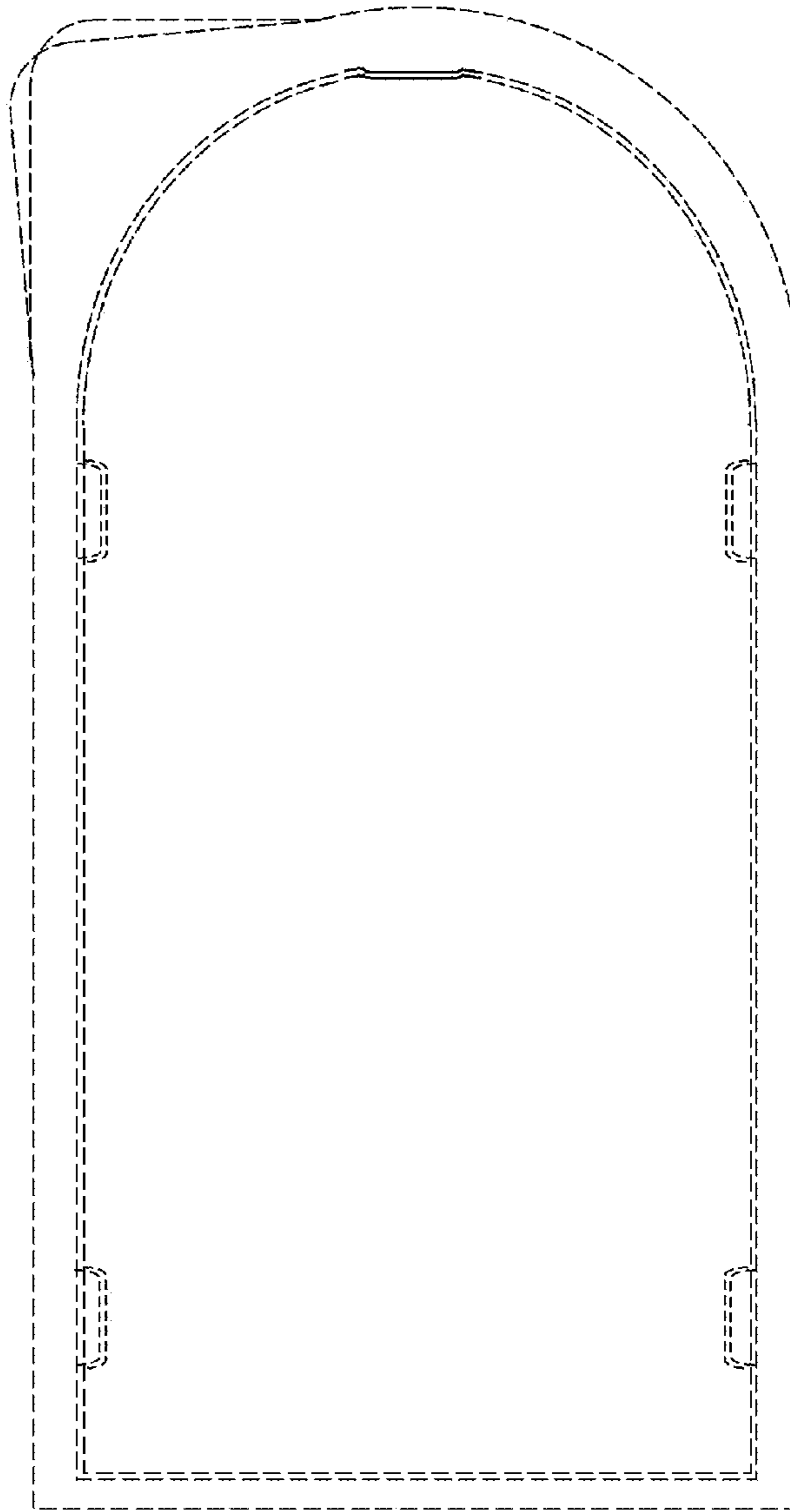


Fig. 3

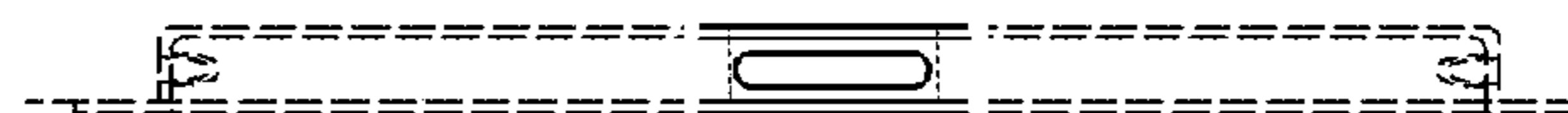




Fig. 4

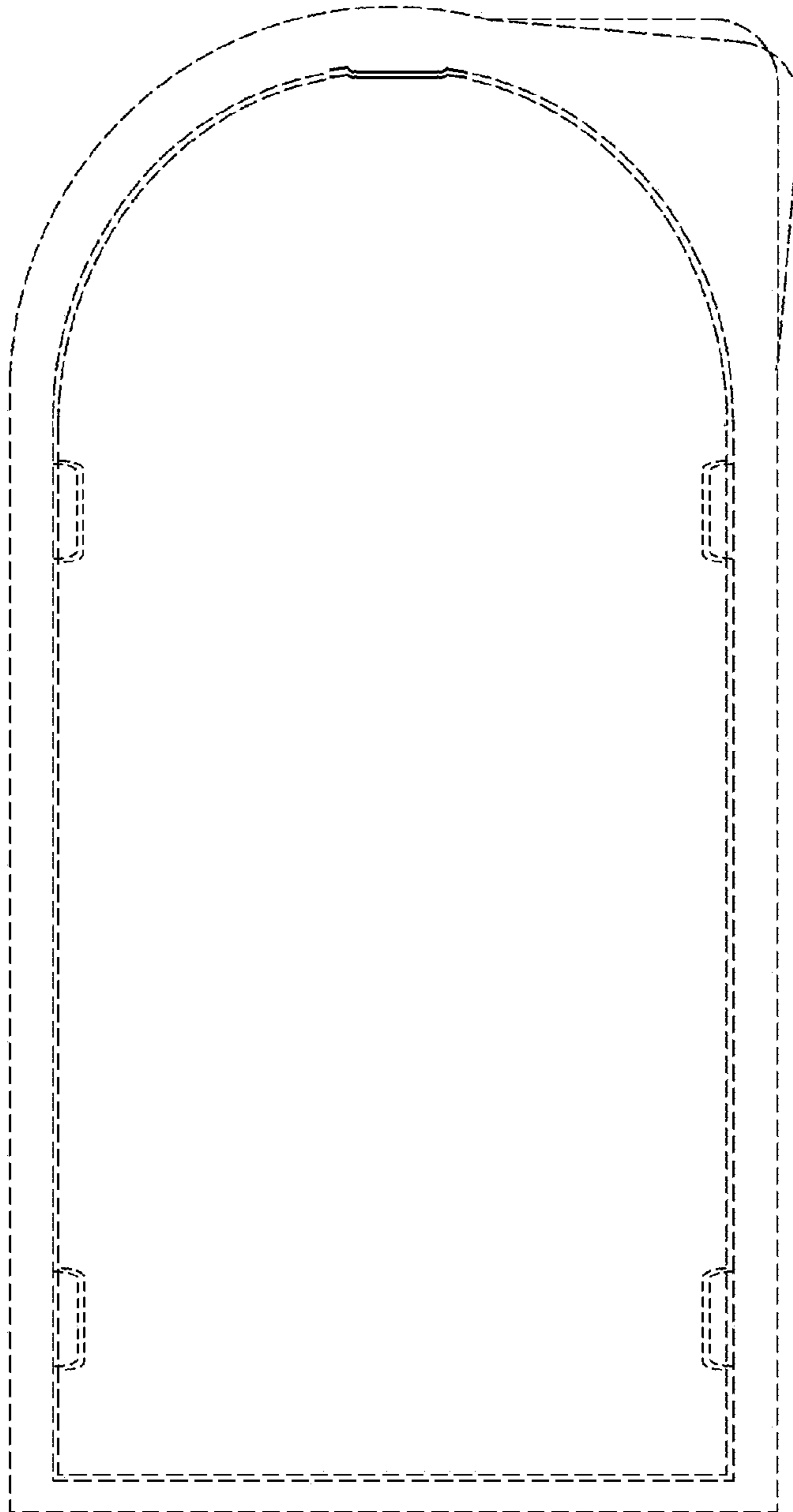


Fig. 5

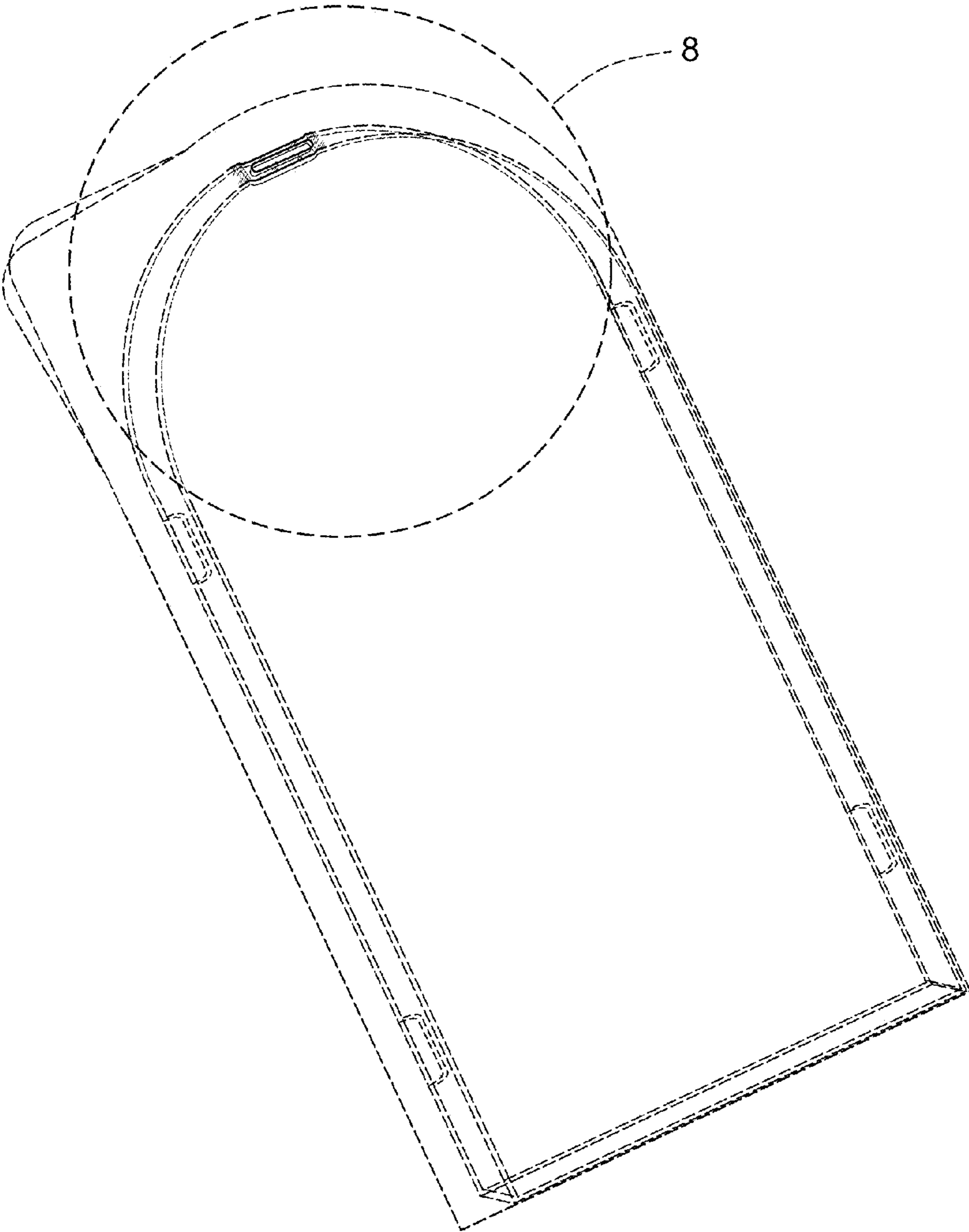


Fig. 6

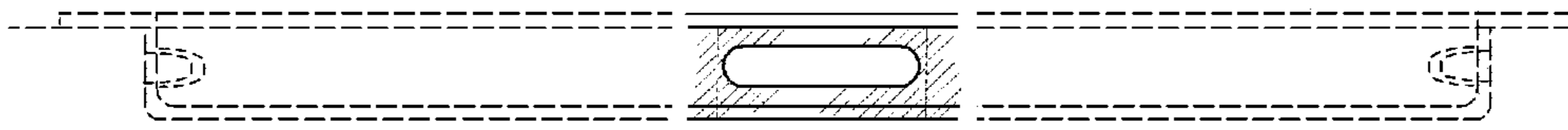


Fig. 7

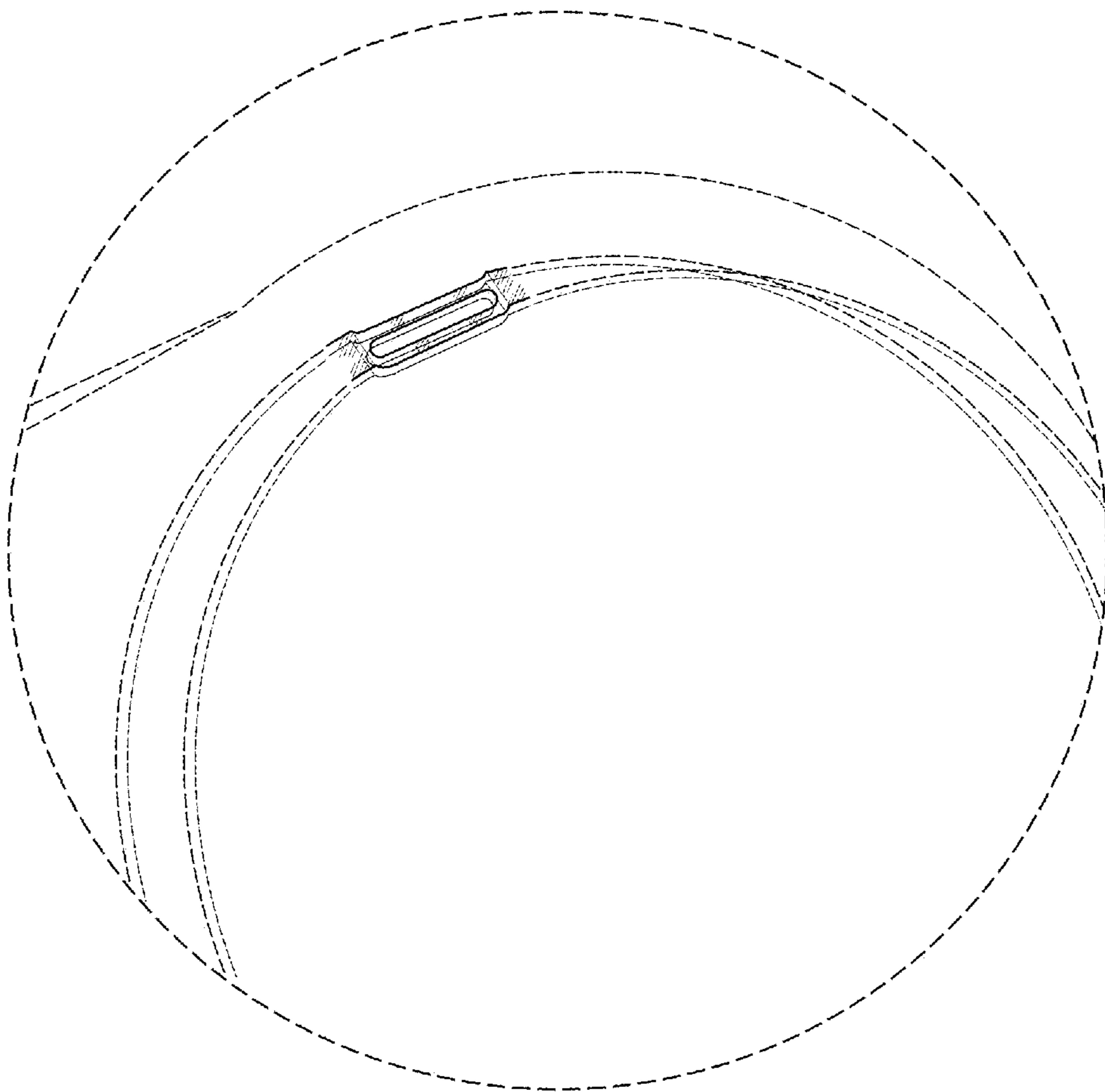


Fig. 8