



US00D738201S

(12) **United States Design Patent**
Fujita

(10) **Patent No.:** **US D738,201 S**
(45) **Date of Patent:** **** Sep. 8, 2015**

(54) **BOLT CONNECTOR**

(71) Applicant: **Noel Fujita**, Tokyo (JP)

(72) Inventor: **Noel Fujita**, Tokyo (JP)

(73) Assignee: **Noel Fujita**, Tokyo (JP)

(**) Term: **14 Years**

(21) Appl. No.: **29/475,706**

(22) Filed: **Dec. 5, 2013**

(51) **LOC (10) Cl.** **08-08**

(52) **U.S. Cl.**
USPC **D8/397**

(58) **Field of Classification Search**
USPC D8/397, 349, 354, 382, 394, 399;
292/2, 169.12-169.14, 253; D13/133,
D13/151; 411/105, 119, 179, 180, 191, 302,
411/418, 427, 429, 432; 439/501, 578
CPC F16B 37/00; F16B 7/187; F16B 37/045;
F16B 21/06; F16B 29/00; F16B 27/00;
F16B 33/00; F16B 37/14; F16B 31/024;
B25B 13/065; B25B 13/00; B25B 13/06
See application file for complete search history.

(56) **References Cited**

U.S. PATENT DOCUMENTS

4,019,550 A * 4/1977 DeHaitre 411/303
6,071,052 A * 6/2000 Kerr 411/302

D551,972 S * 10/2007 Jacobs et al. D9/445
8,210,783 B2 * 7/2012 Morrison 411/9
D698,638 S * 2/2014 Imai et al. D8/397
D713,715 S * 9/2014 Kury D8/397
2008/0014042 A1 * 1/2008 De France 411/2

* cited by examiner

Primary Examiner — Wan Laymon

Assistant Examiner — Mark Booker

(74) *Attorney, Agent, or Firm* — Duane Morris LLP

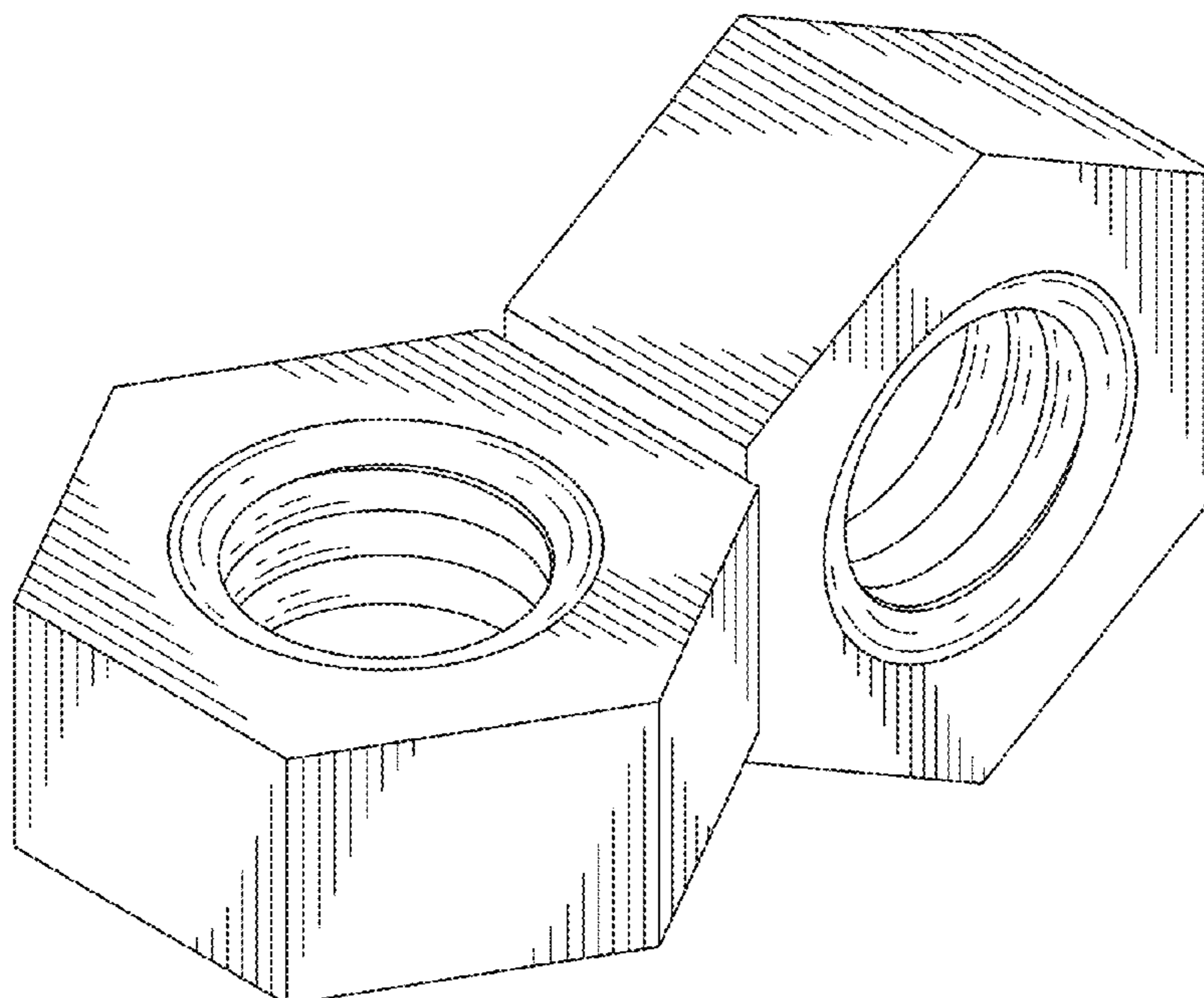
(57) **CLAIM**

I claim the ornamental design for a bolt connector, as shown and described.

DESCRIPTION

FIG. 1 is a perspective front view of a bolt connector according to the present invention.
FIG. 2 is a top plan view of the bolt connector of FIG. 1.
FIG. 3 is a bottom plan view of the bolt connector of FIG. 1.
FIG. 4 is a front side elevation view of the bolt connector of FIG. 1.
FIG. 5 is a rear side elevation view of the bolt connector of FIG. 1.
FIG. 6 is left side elevation view of the bolt connector of FIG. 1; and,
FIG. 7 is a right side elevation view of the bolt connector of FIG. 1.

1 Claim, 4 Drawing Sheets



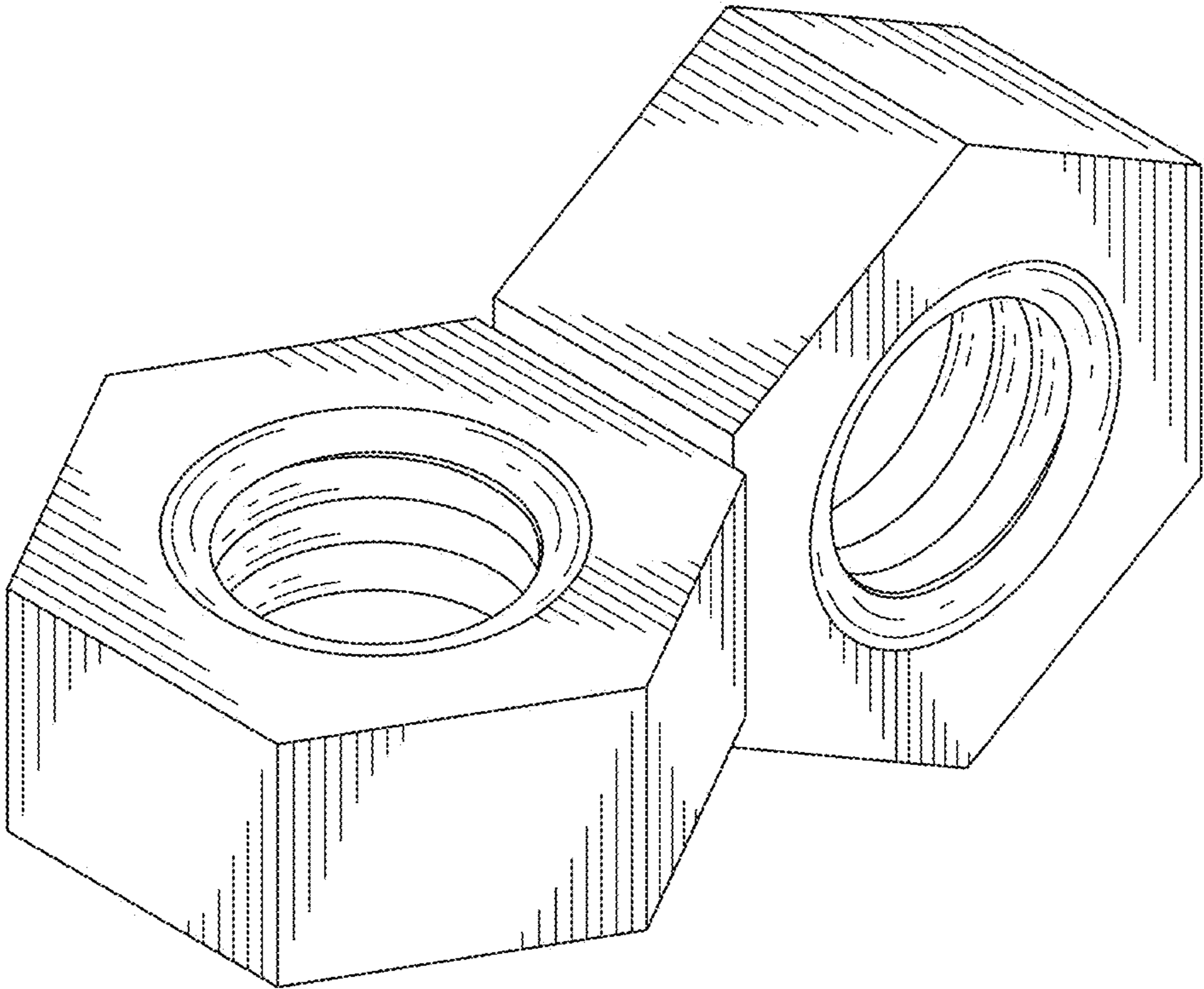


FIG. 1

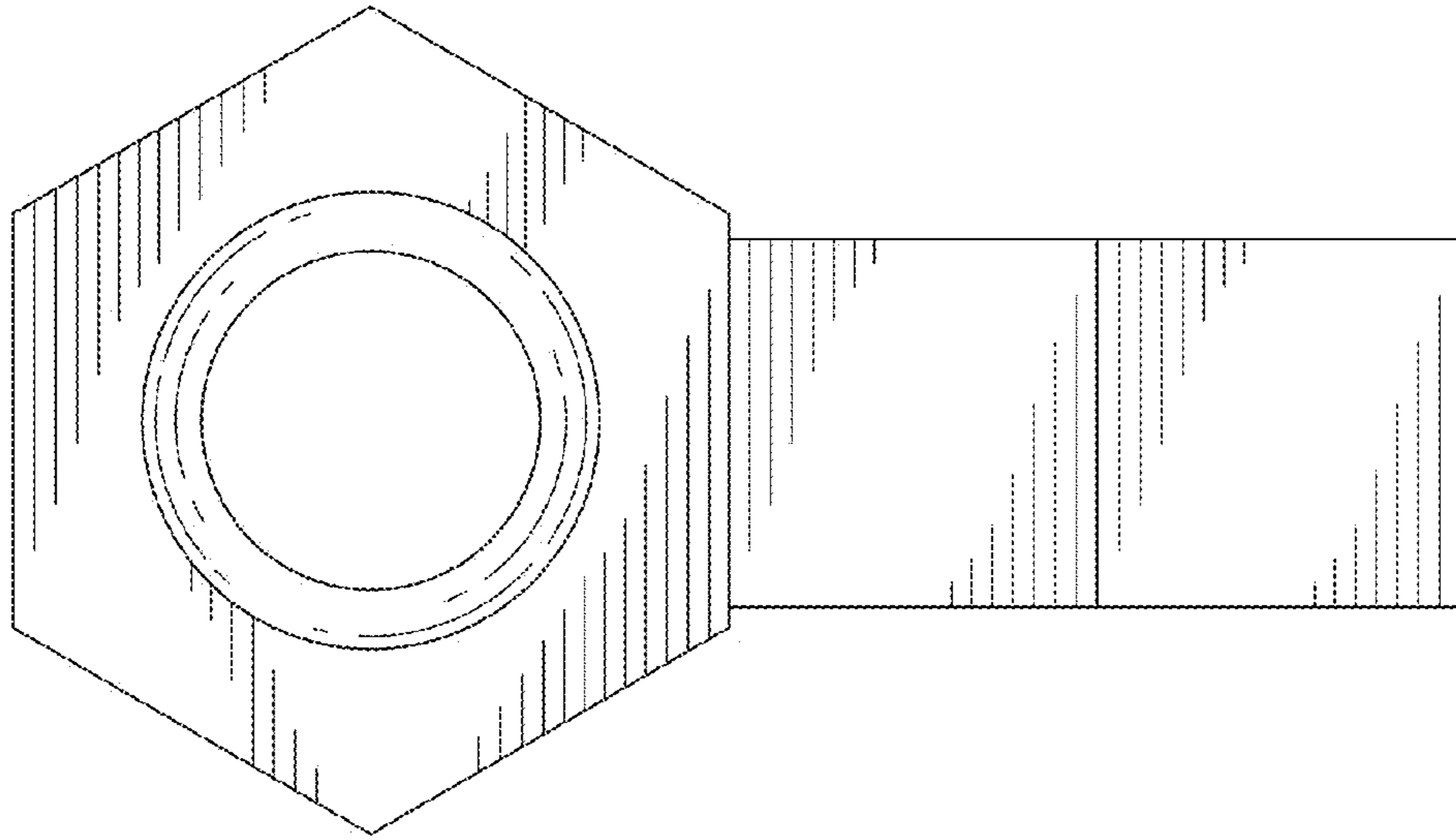


FIG. 2

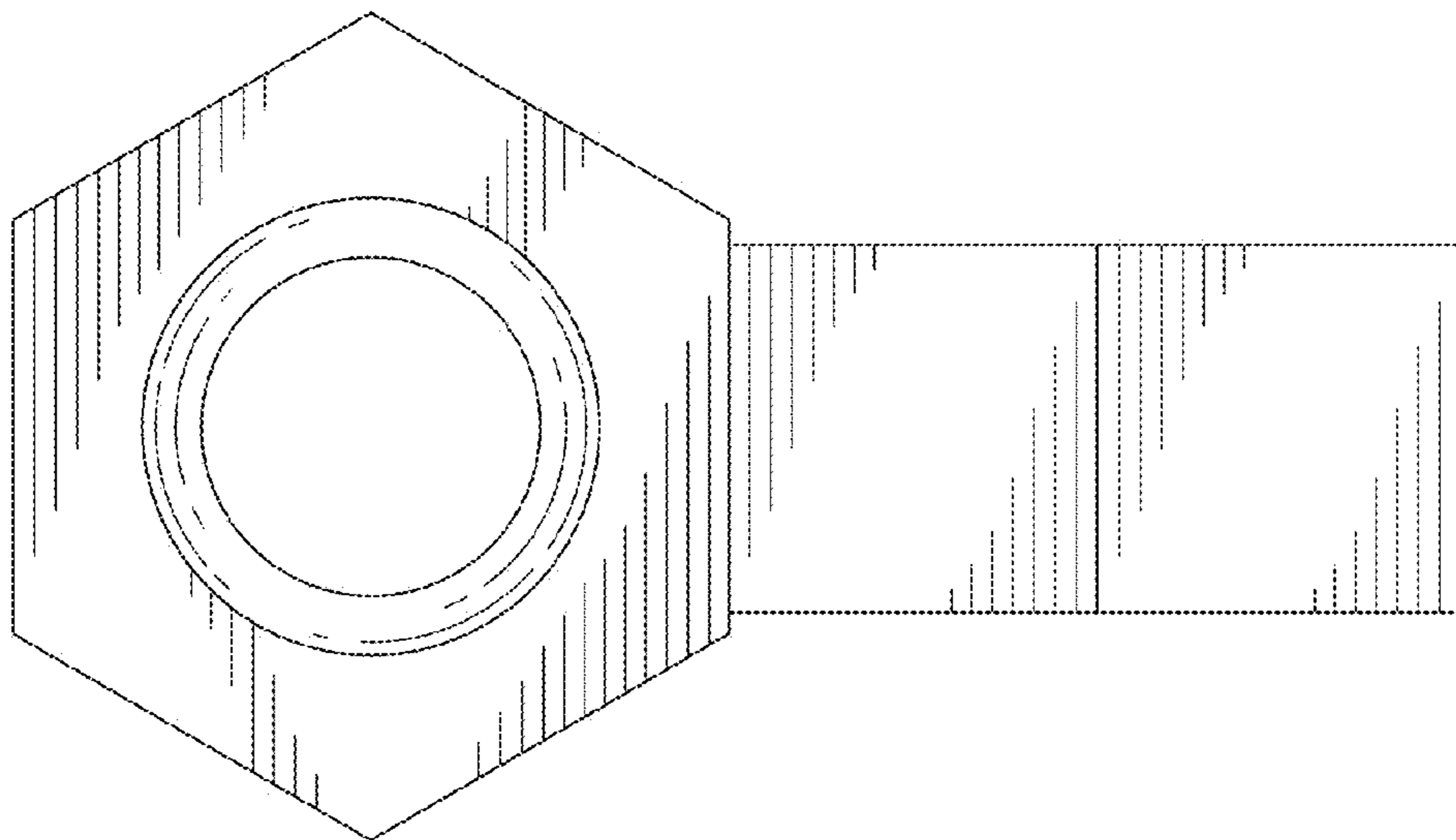


FIG. 3

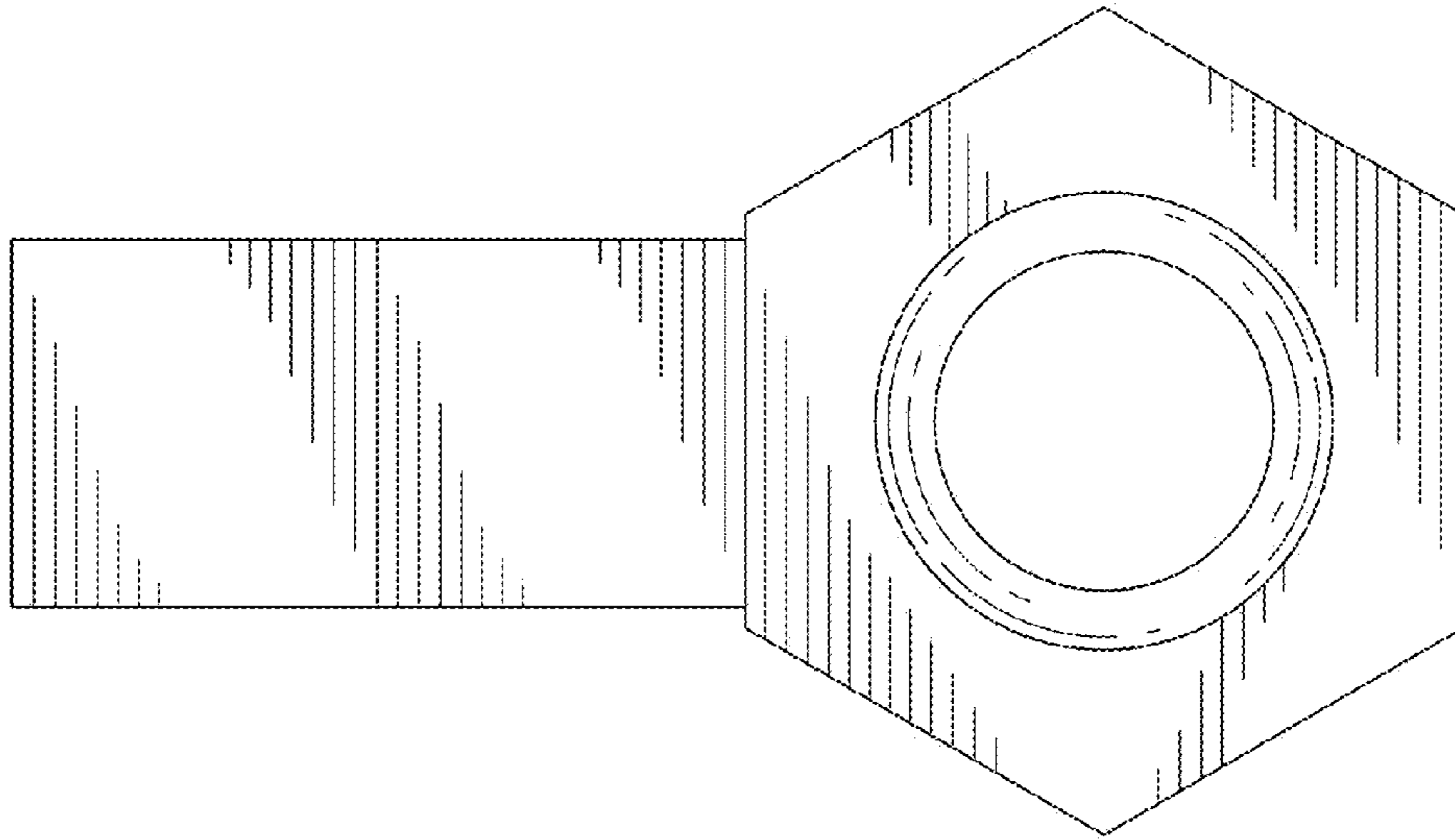


FIG. 4

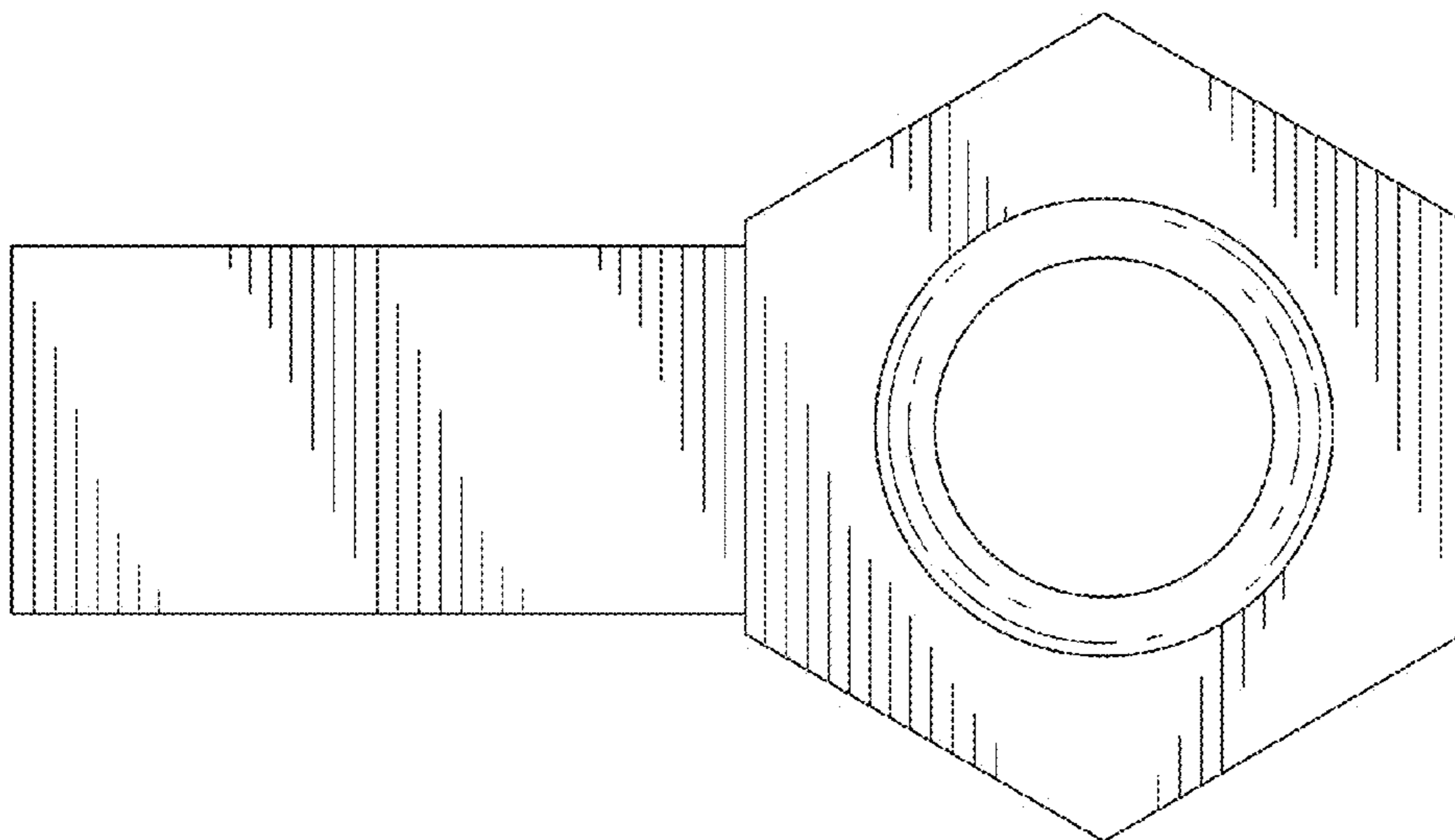


FIG. 5

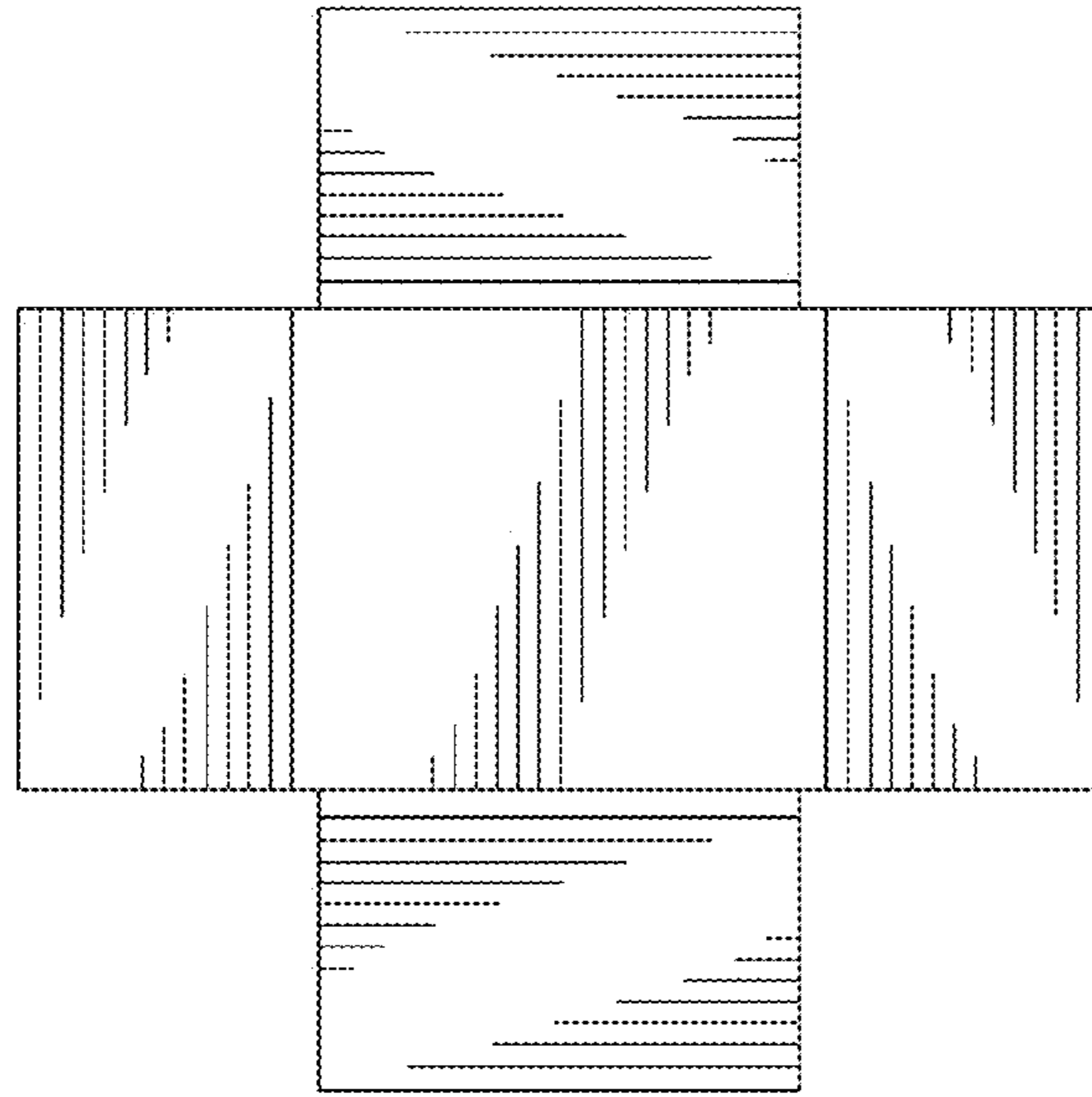


FIG. 6

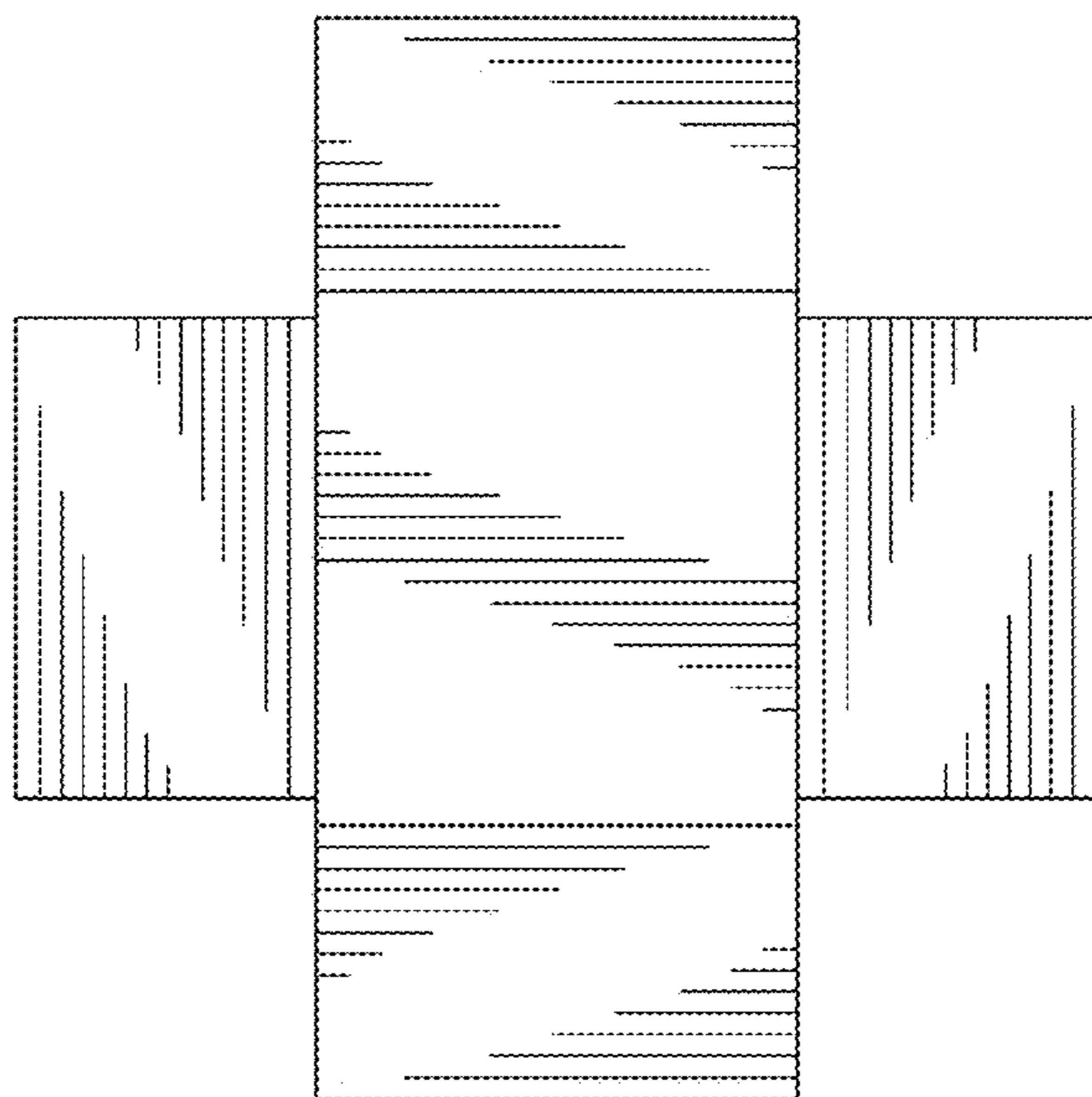


FIG. 7