



US00D738199S

(12) **United States Design Patent**
Daniels

(10) **Patent No.:** **US D738,199 S**

(45) **Date of Patent:** **** Sep. 8, 2015**

- (54) **PICTURE HANGING SCREW**
- (71) Applicant: **LIBERTY HARDWARE MFG. CORP.**, Winston-Salem, NC (US)
- (72) Inventor: **James Leroy Daniels**, Stokesdale, NC (US)
- (73) Assignee: **Liberty Hardware Mfg. Corp.**, Winston-Salem, NC (US)
- (**) Term: **14 Years**
- (21) Appl. No.: **29/482,333**
- (22) Filed: **Feb. 18, 2014**
- (51) **LOC (10) Cl.** **08-08**
- (52) **U.S. Cl.**
USPC **D8/387**
- (58) **Field of Classification Search**
USPC D8/349, 354, 382, 385, 388, 387, 499
CPC F16B 37/00; F16B 23/00; F16B 23/0007;
F16B 23/0076; F16B 33/00; F16B 33/002;
F16B 33/02; F16B 39/00; F16B 35/00;
F16B 35/005; F16B 35/06; F16B 25/103
See application file for complete search history.

5,833,415	A *	11/1998	McSherry	411/31
6,264,677	B1 *	7/2001	Simon et al.	606/232
6,419,436	B1	7/2002	Gaudron		
6,457,926	B1	10/2002	Pope		
6,846,142	B2 *	1/2005	Gens	411/411
D549,088	S *	8/2007	Gallien	D8/387
D552,976	S *	10/2007	Gaudron	D8/387
D567,074	S	4/2008	Gallien		
D602,161	S *	10/2009	Yazdi	D24/156
7,713,013	B2	5/2010	Sedgwick et al.		
D642,900	S *	8/2011	McDuff et al.	D8/385
D649,030	S *	11/2011	Austin, III	D8/387
8,985,061	B2 *	3/2015	Royals	119/786
2007/0183866	A1	8/2007	Gallien		
2010/0239386	A1 *	9/2010	Sedgwick et al.	411/402

FOREIGN PATENT DOCUMENTS

WO	WO 2008150656	A2 *	12/2008	F16B 35/06
WO	WO 2010098925	A1 *	9/2010	F16B 35/06

* cited by examiner

Primary Examiner — Sheryl Lane

Assistant Examiner — Ieisha Price

(74) *Attorney, Agent, or Firm* — Lora J. Graentzdoerffer

(57) **CLAIM**

The ornamental design for a picture hanging screw, as shown and described.

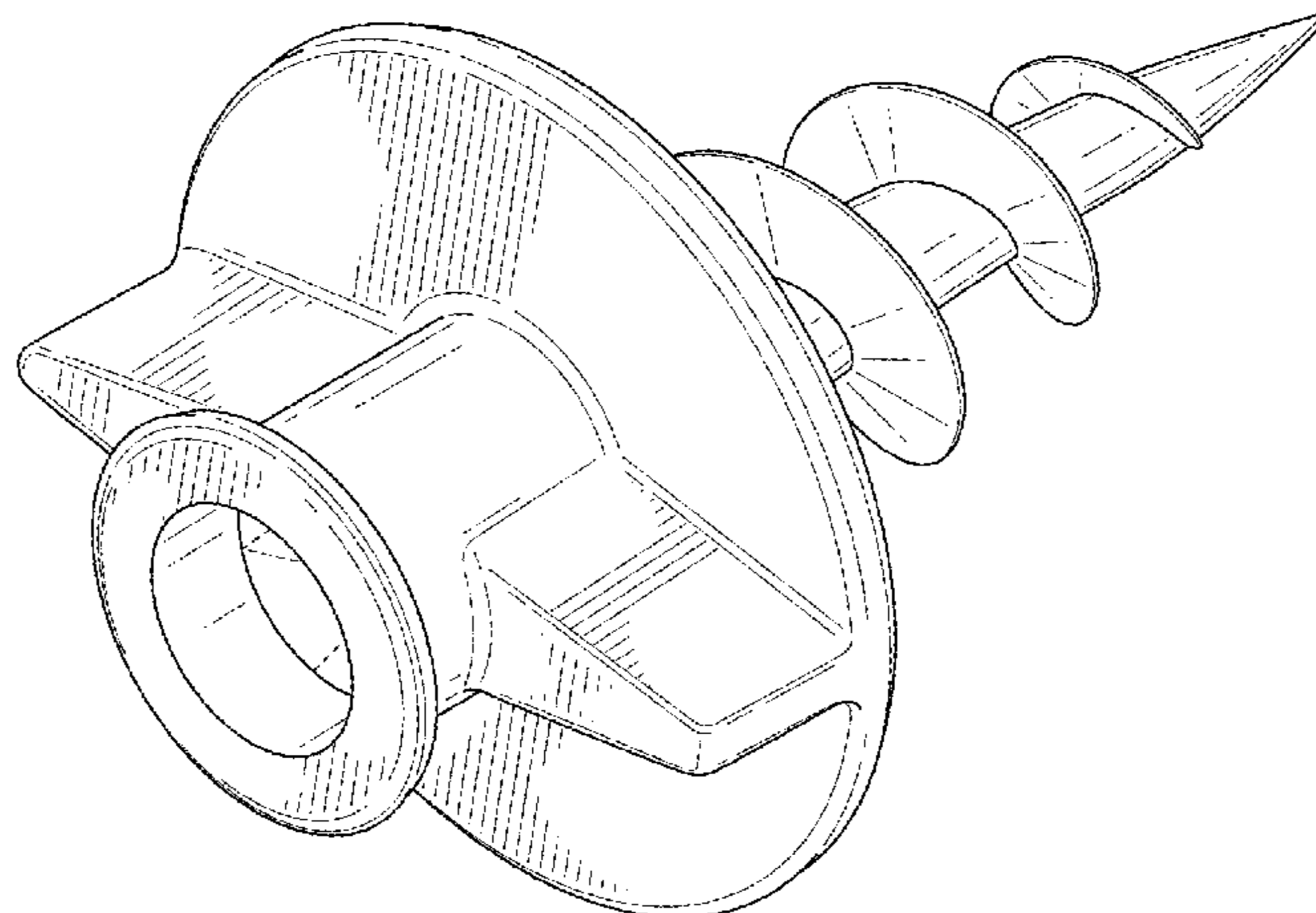
DESCRIPTION

FIG. 1 is a perspective view of a picture hanging screw showing my design;
 FIG. 2 is a left side elevational view; where the right side elevational view is a mirror image thereof;
 FIG. 3 is a top plan view; and,
 FIG. 4 is a bottom plan view.
 The broken lines in the drawings illustrate portions of the picture hanging screw and form no part of the claimed design.

1 Claim, 3 Drawing Sheets

(56) **References Cited**
U.S. PATENT DOCUMENTS

842,933	A	2/1907	Bement		
2,048,234	A	7/1936	Tucker		
3,752,030	A	8/1973	Steurer		
4,653,244	A	3/1987	Farrell		
5,059,077	A *	10/1991	Schmid	411/400
5,358,209	A *	10/1994	Ward	248/545
5,551,818	A *	9/1996	Koppel	411/387.1
D378,052	S *	2/1997	Perreault	D8/387
5,755,545	A	5/1998	Banks		
5,779,417	A *	7/1998	Barth et al.	411/412



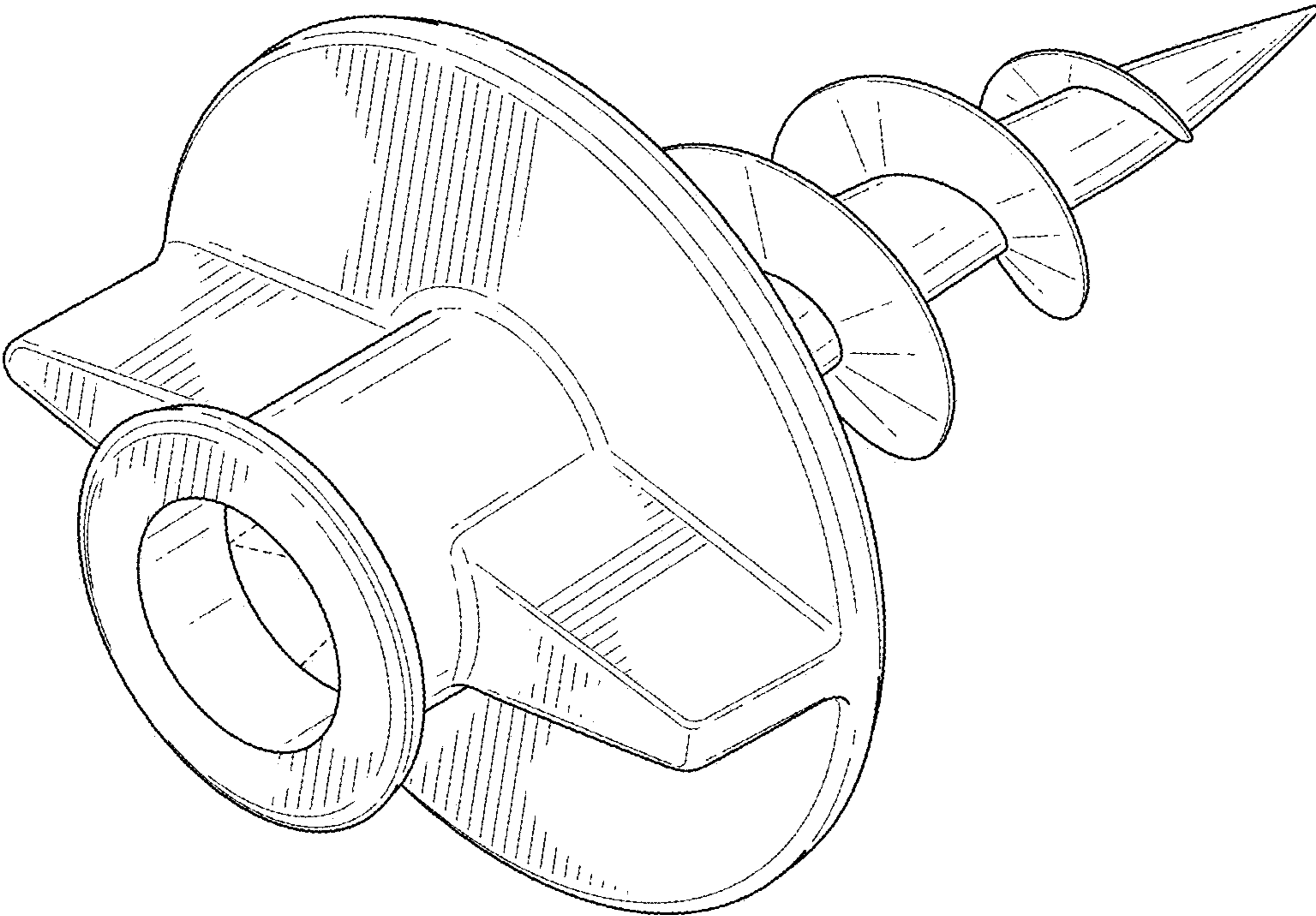


FIG. 1

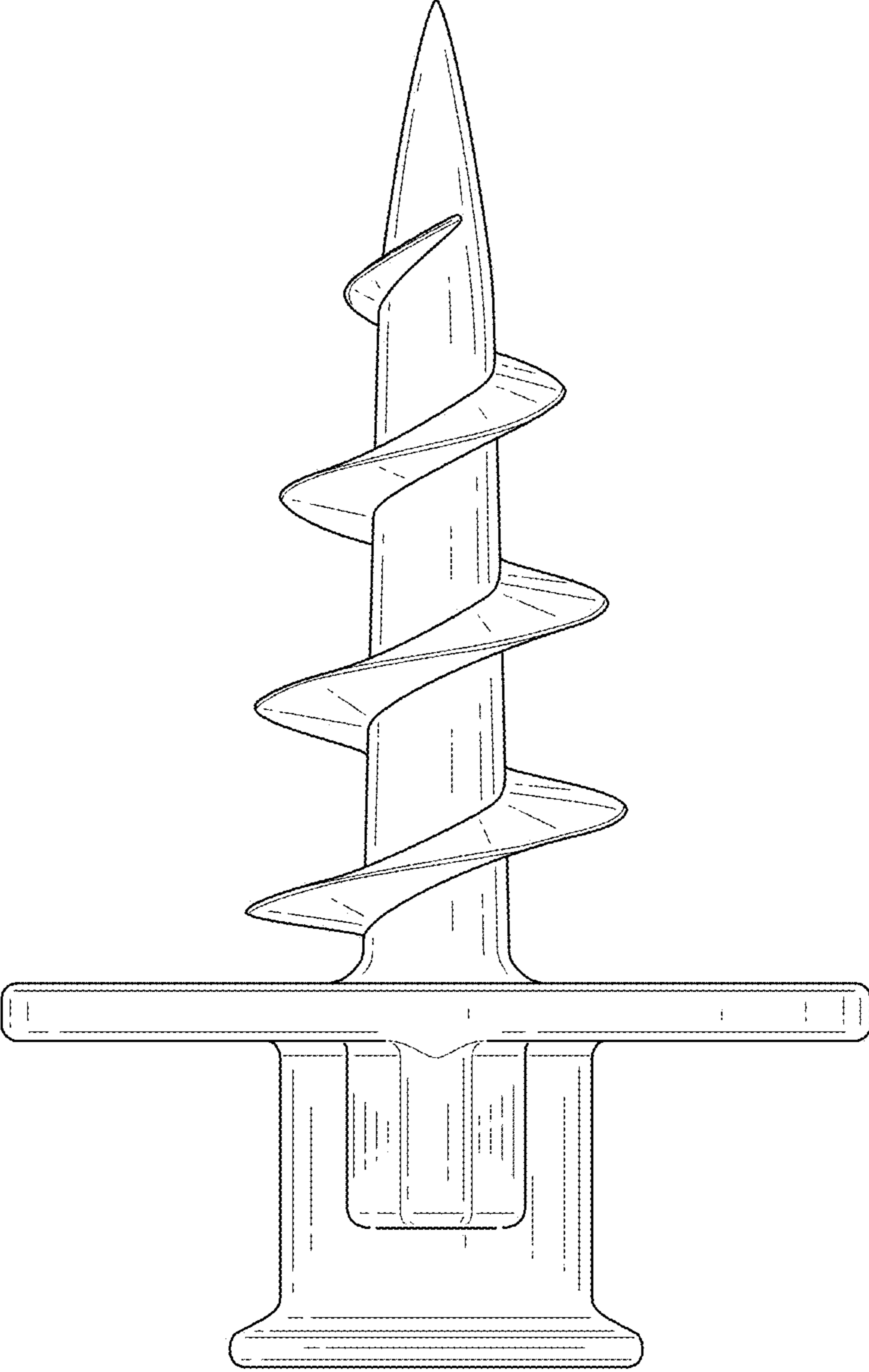


FIG. 2

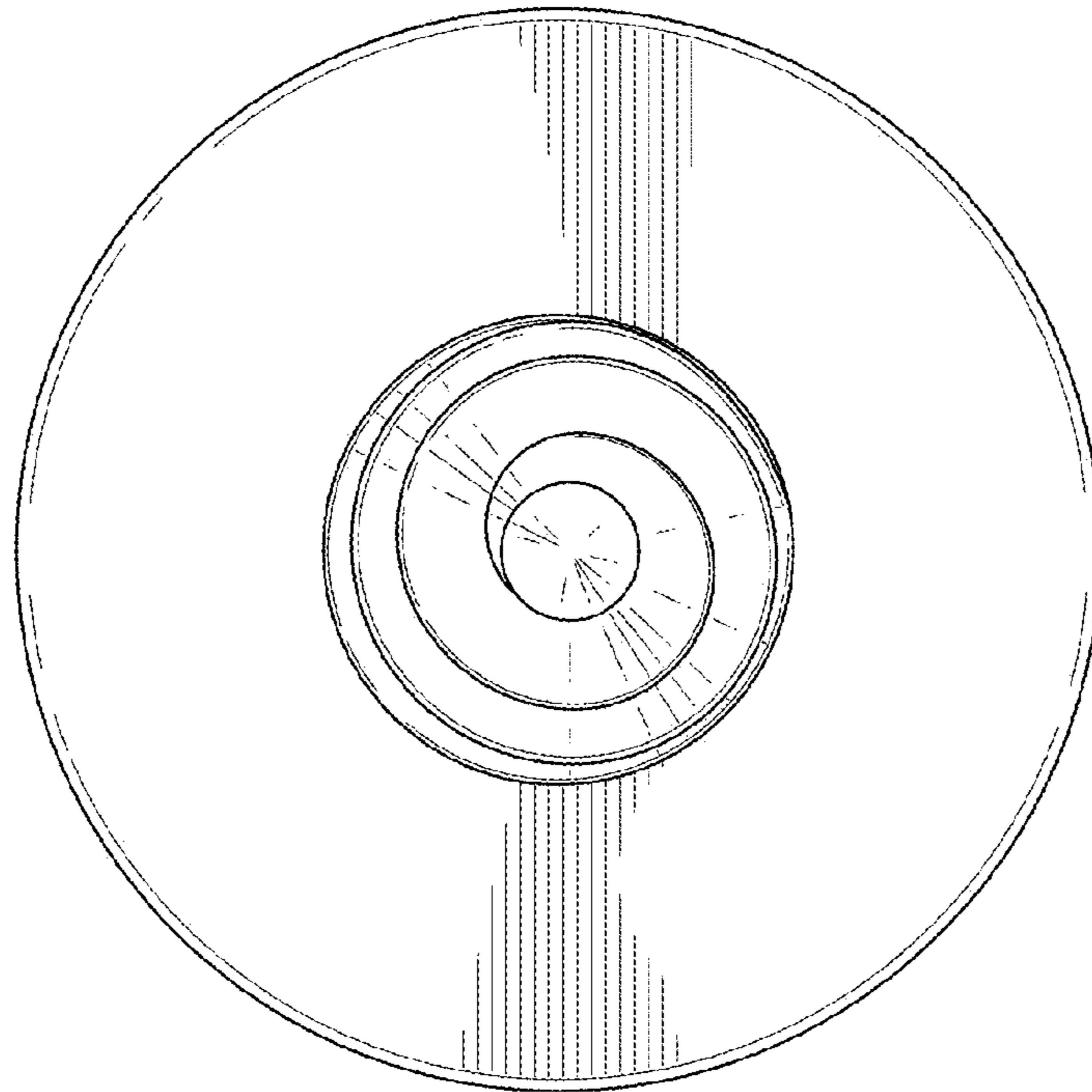


FIG. 3

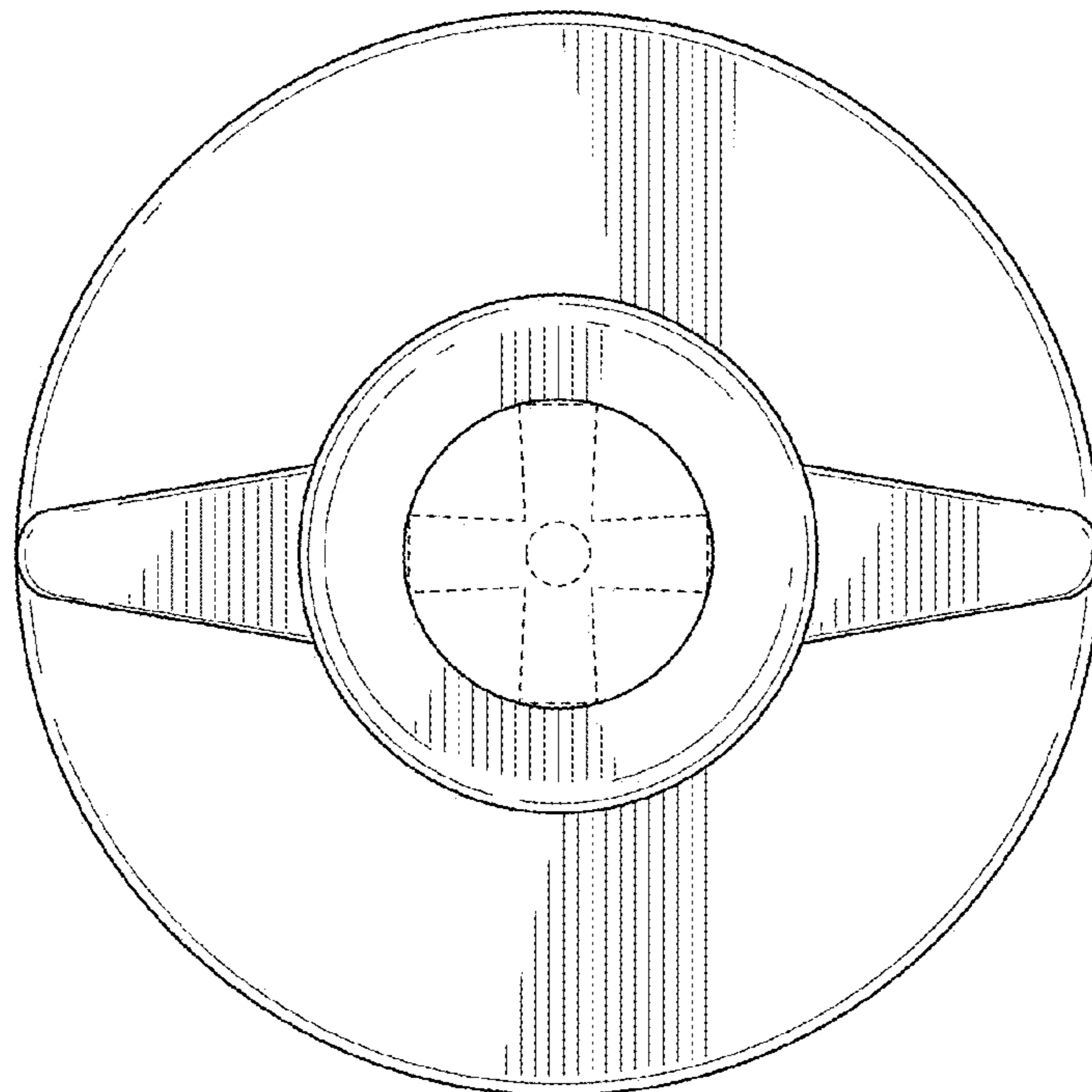


FIG. 4