



US00D738196S

(12) **United States Design Patent**
Petzl

(10) **Patent No.:** **US D738,196 S**

(45) **Date of Patent:** **** Sep. 8, 2015**

(54) **CLIMBING APPARATUS**

(71) Applicant: **ZEDEL**, Crolles (FR)

(72) Inventor: **Paul Petzl**, Barraux (FR)

(73) Assignee: **ZEDEL**, Crolles (FR)

(**) Term: **14 Years**

(21) Appl. No.: **29/506,877**

(22) Filed: **Oct. 21, 2014**

(30) **Foreign Application Priority Data**

Apr. 22, 2014 (EM) 002450866-0001

(51) **LOC (10) Cl.** **08-05**

(52) **U.S. Cl.**
USPC **D8/356**

(58) **Field of Classification Search**
USPC D8/367, 356, 371, 373, 354, 355, 349;
D6/323; D3/24; 248/215, 301, 339,
248/349.1; 160/349.2; 24/265 H, 265 R,
24/599.1, 599.8, 113 R, 573.5; 294/82.18;
29/525.1, 45.3; 223/106; D14/432,
D14/140, 217

CPC A45F 3/00; A63B 27/00

See application file for complete search history.

(56) **References Cited**

U.S. PATENT DOCUMENTS

D360,530	S	*	7/1995	Bobeczko	D3/315
D413,786	S	*	9/1999	Graham	D8/356
D425,783	S	*	5/2000	Ishida et al.	D8/383
D433,929	S	*	11/2000	Petzl	D8/383
6,843,346	B2	*	1/2005	LeBeau et al.	182/5
D572,099	S	*	7/2008	Fontaine et al.	D8/44
D586,001	S	*	2/2009	Petzl	D25/69
7,500,290	B2	*	3/2009	Klingler	24/115 R
D597,822	S	*	8/2009	Olsen	D8/356
D708,931	S	*	7/2014	Petzl	D8/356

* cited by examiner

Primary Examiner — Cynthia Underwood

(74) *Attorney, Agent, or Firm* — Oliff PLC

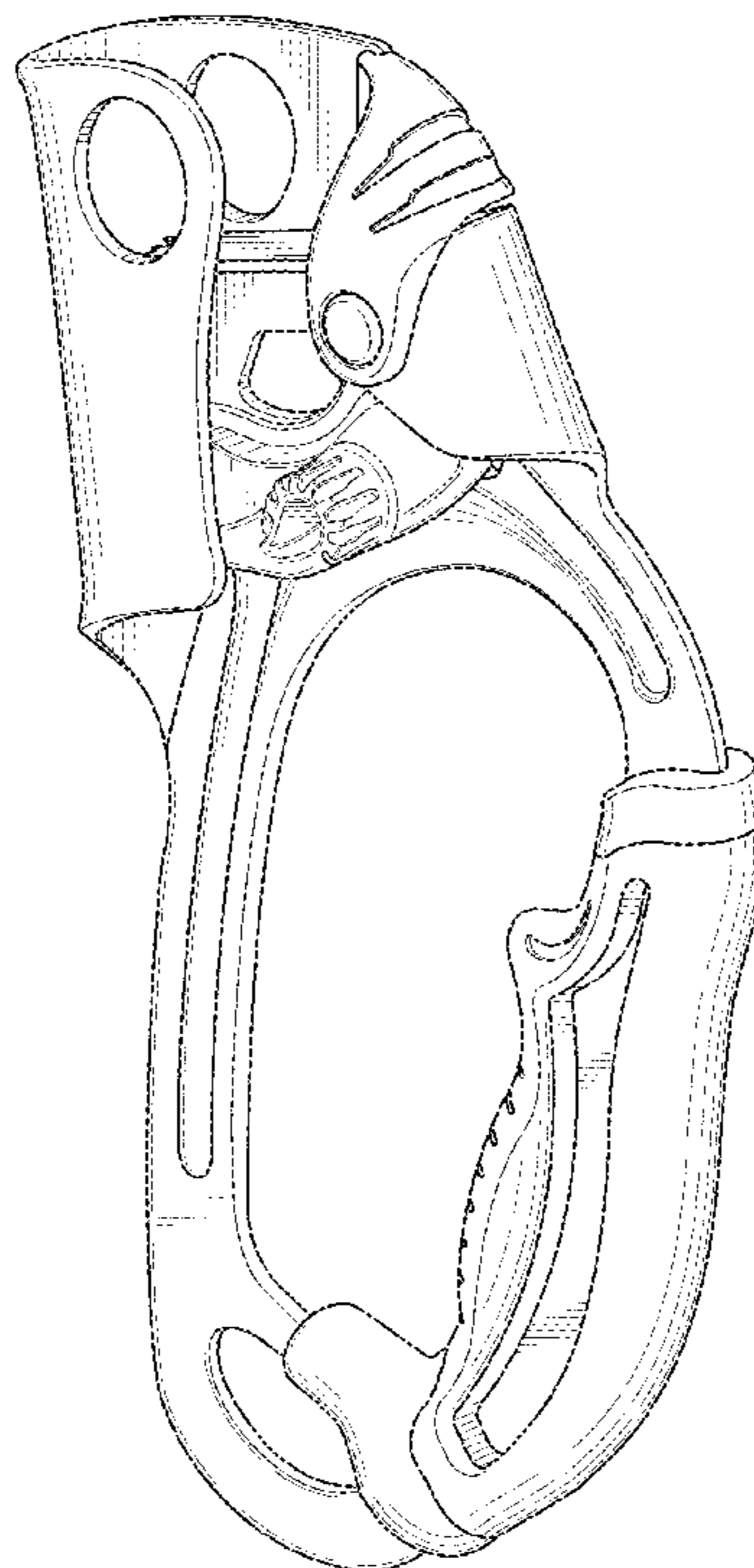
(57) **CLAIM**

The ornamental design for a climbing apparatus, as shown and described.

DESCRIPTION

FIG. 1 is a front, left-side perspective view of the climbing apparatus;
FIG. 2 is a left-side elevational view thereof;
FIG. 3 is a top plan view thereof;
FIG. 4 is a front elevational view thereof;
FIG. 5 is a rear elevational view thereof;
FIG. 6 is a right-side elevational view thereof;
FIG. 7 is a bottom plan view thereof; and,
FIG. 8 is an enlarged, broken away left-side perspective view thereof, shown in an alternate configuration of use.

1 Claim, 7 Drawing Sheets



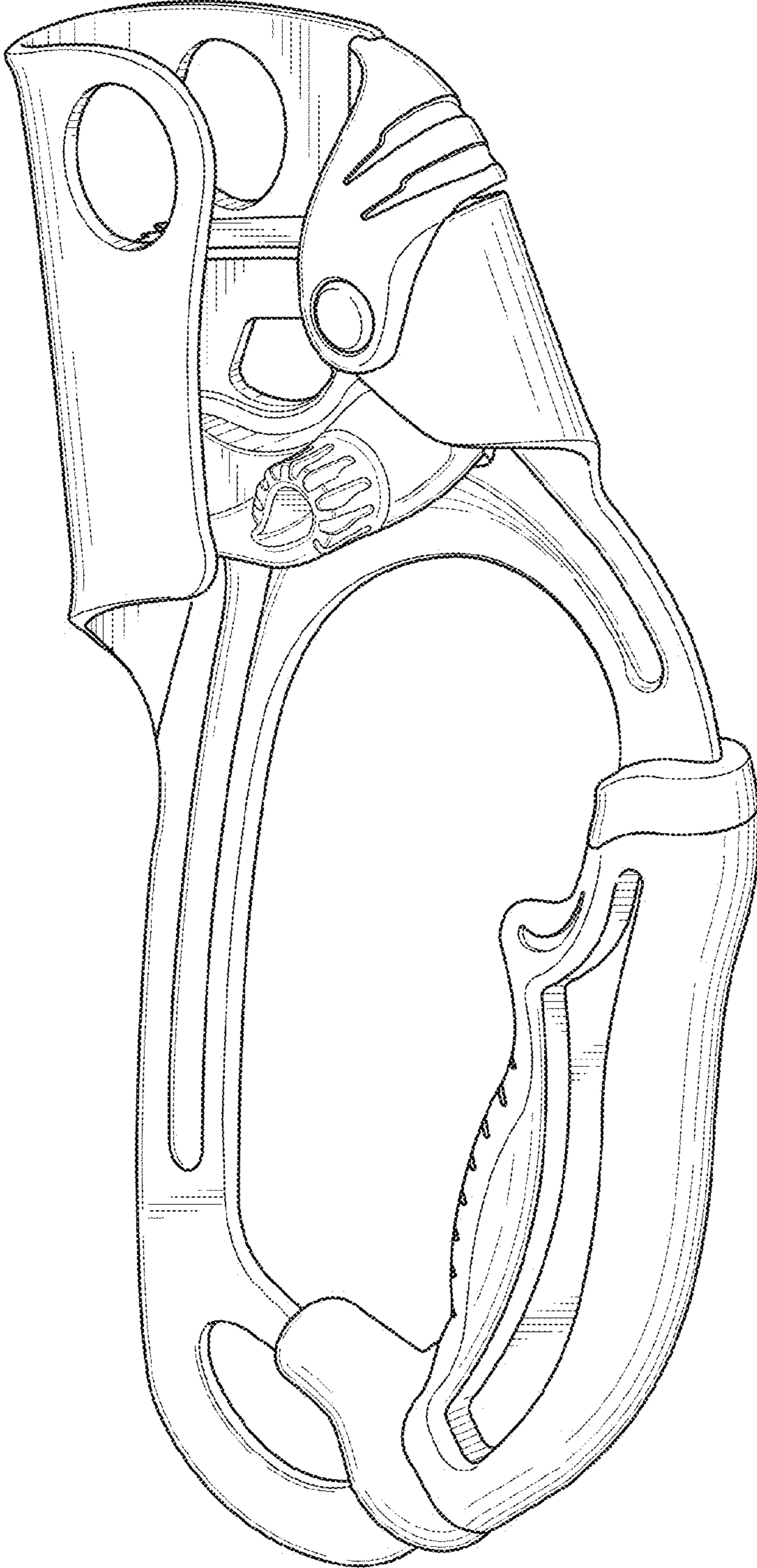


FIG. 1

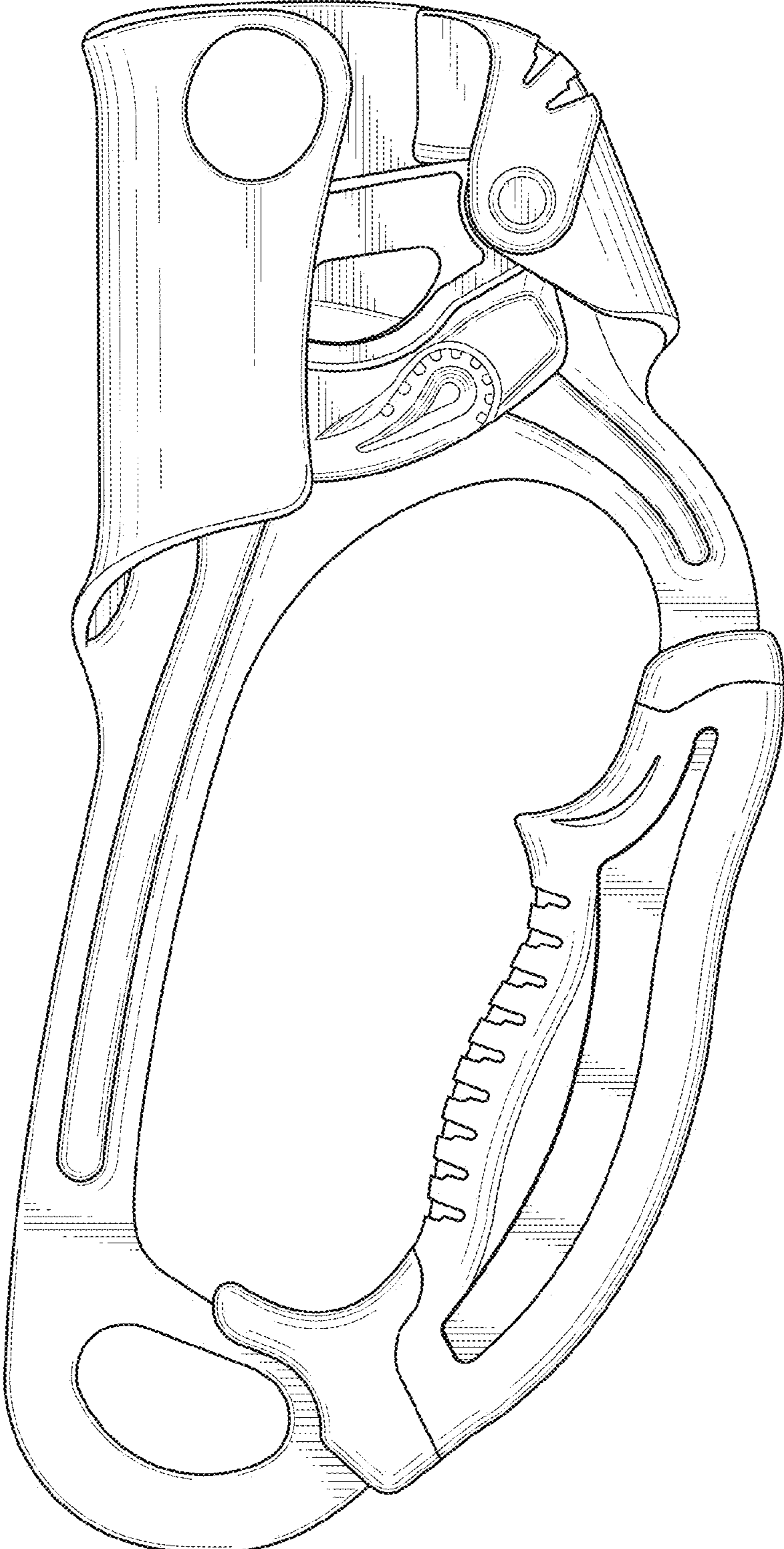


FIG. 2

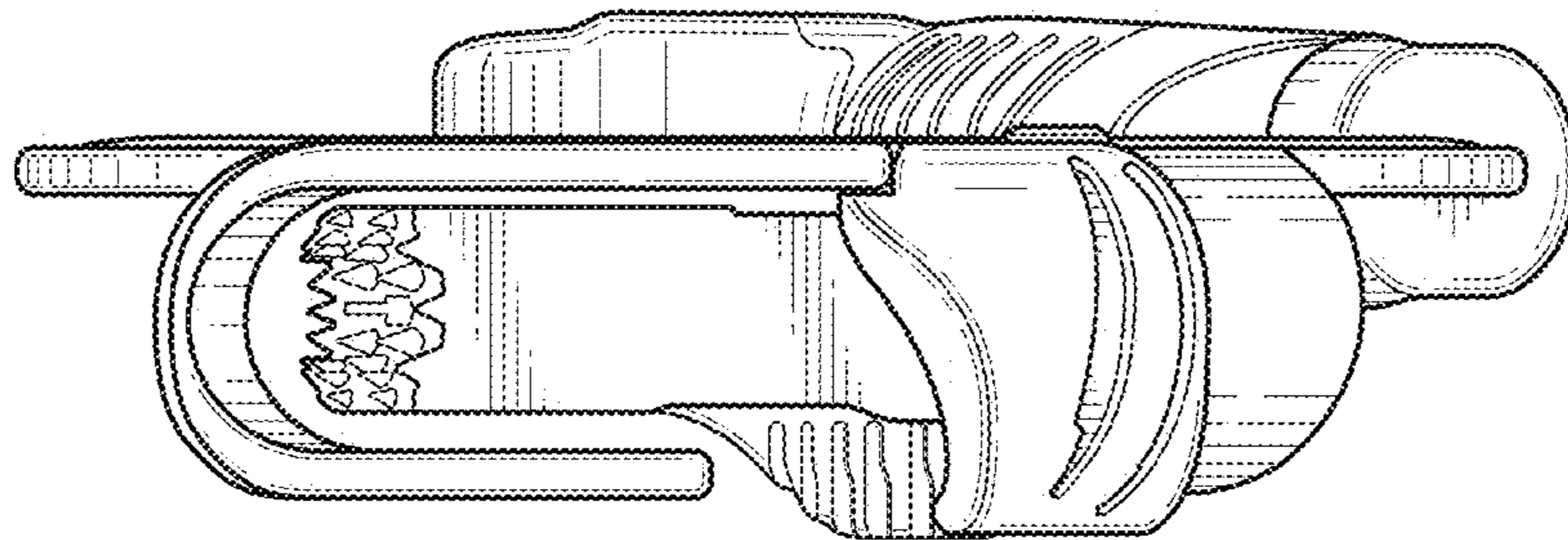


FIG. 3

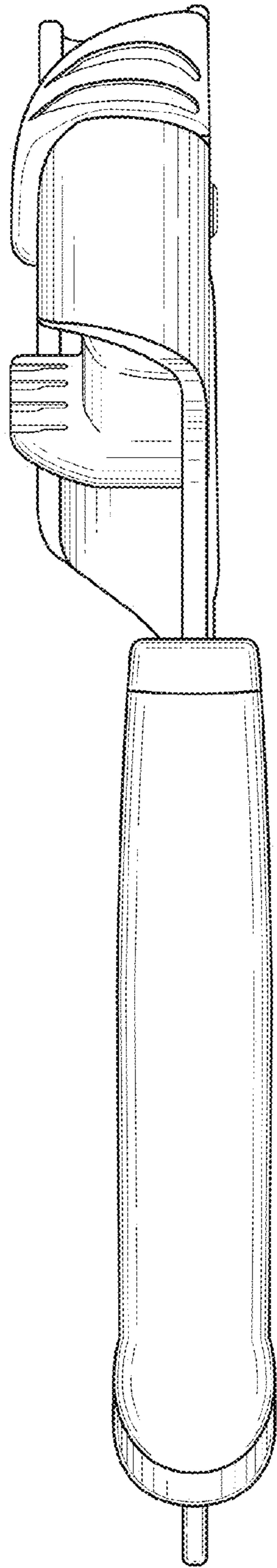


FIG. 4

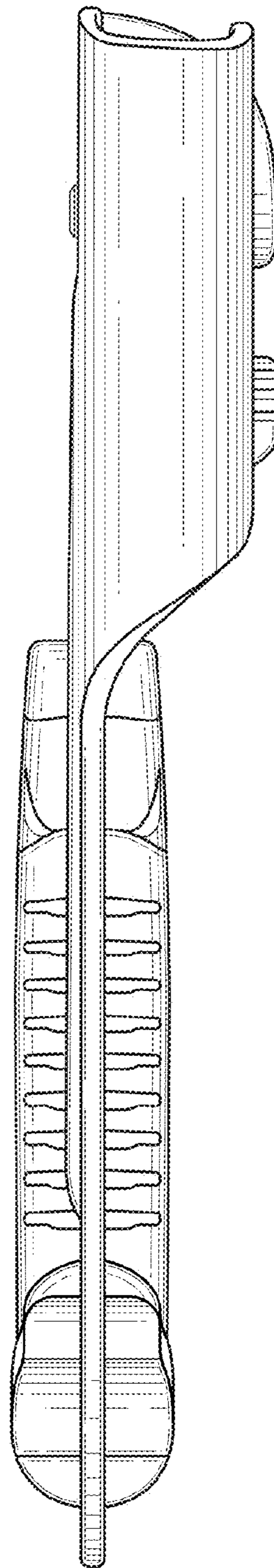


FIG. 5

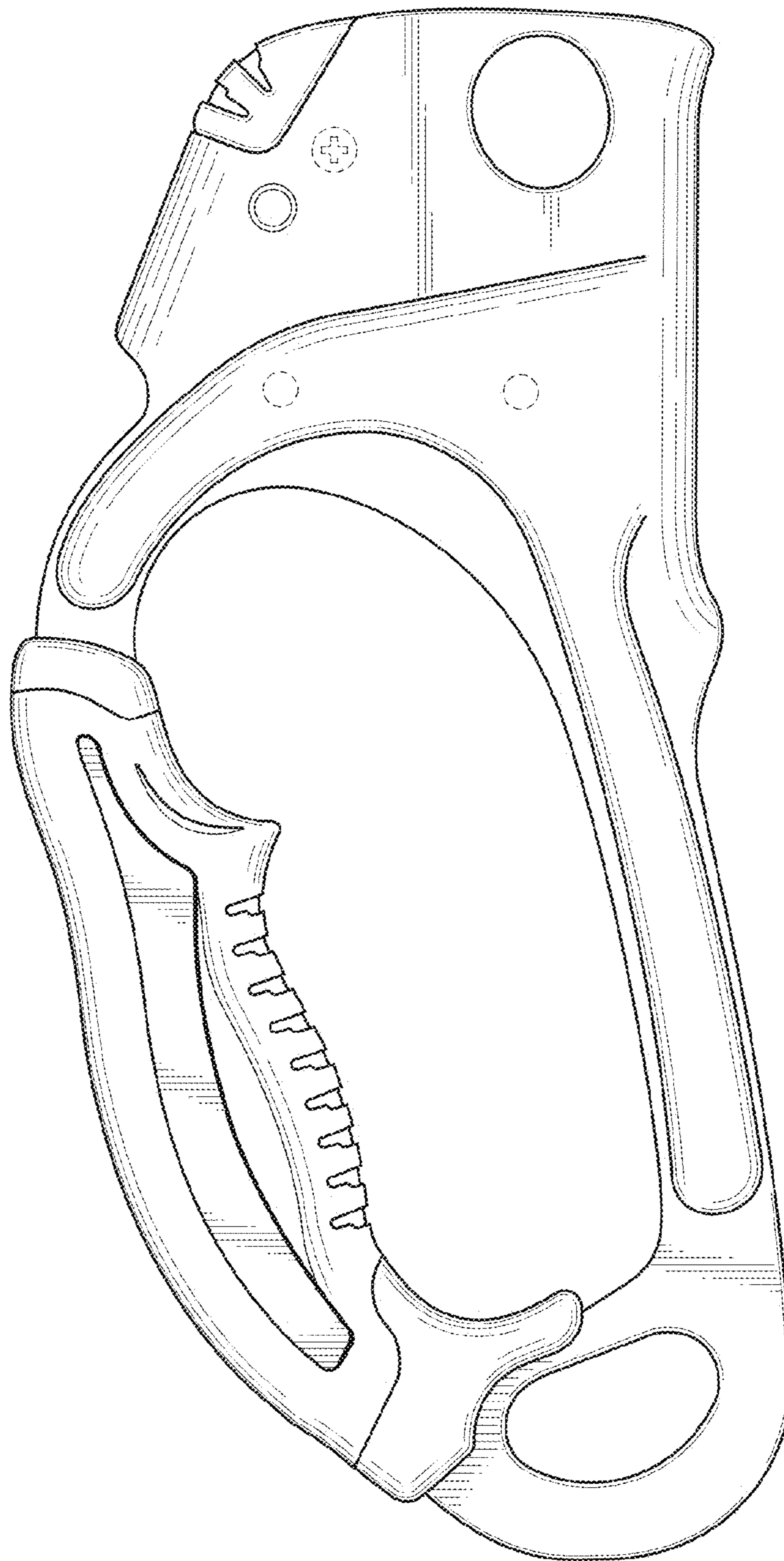


FIG. 6

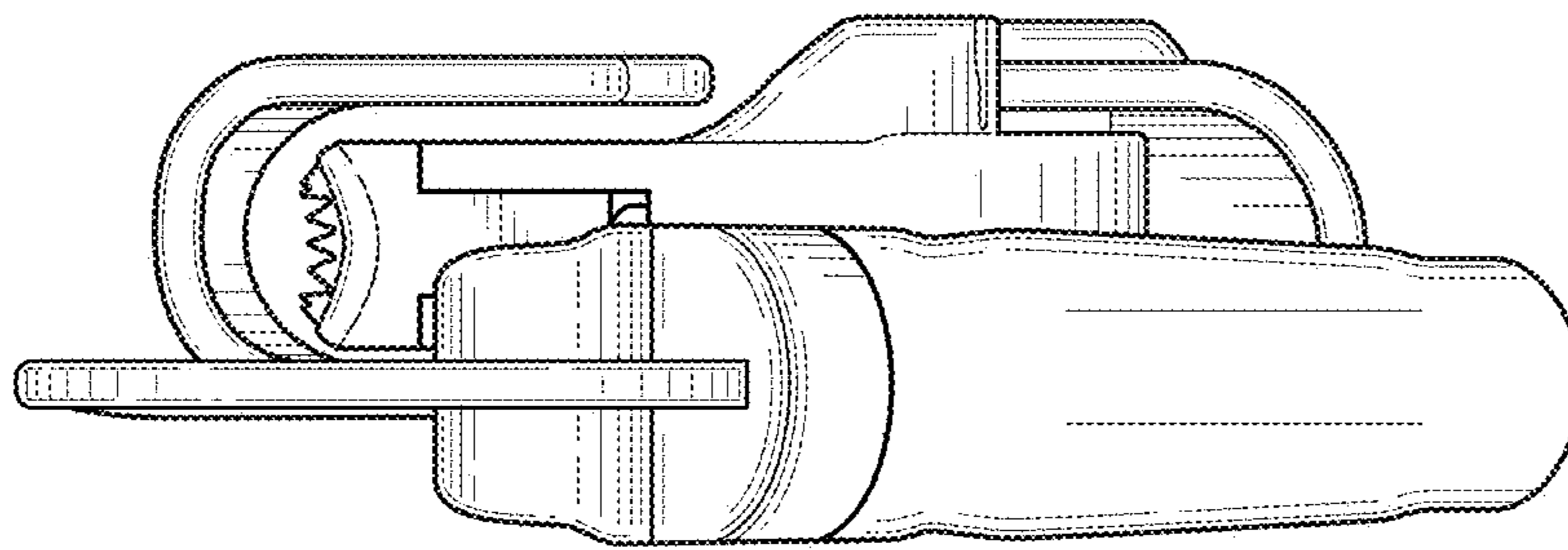


FIG. 7

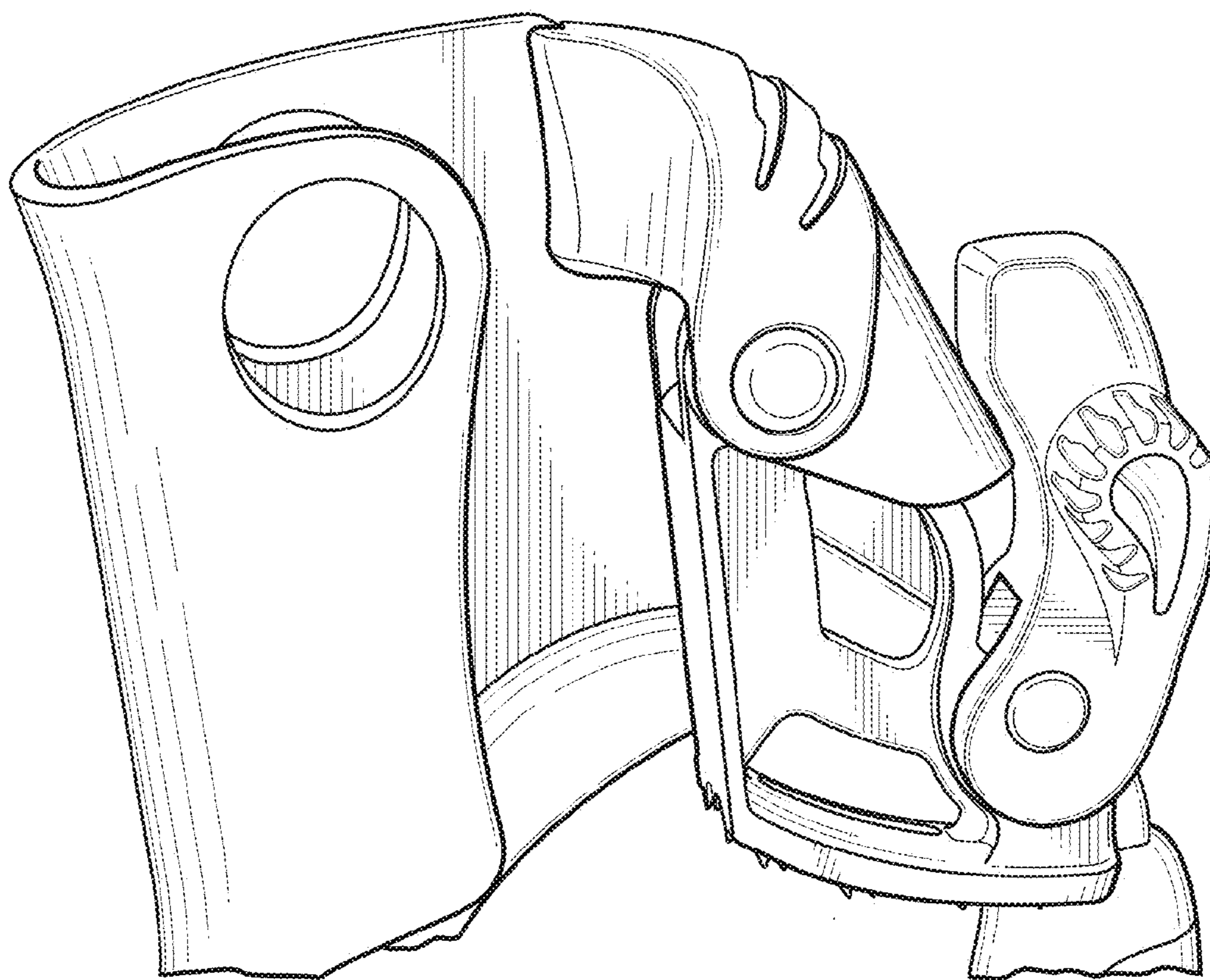


FIG. 8